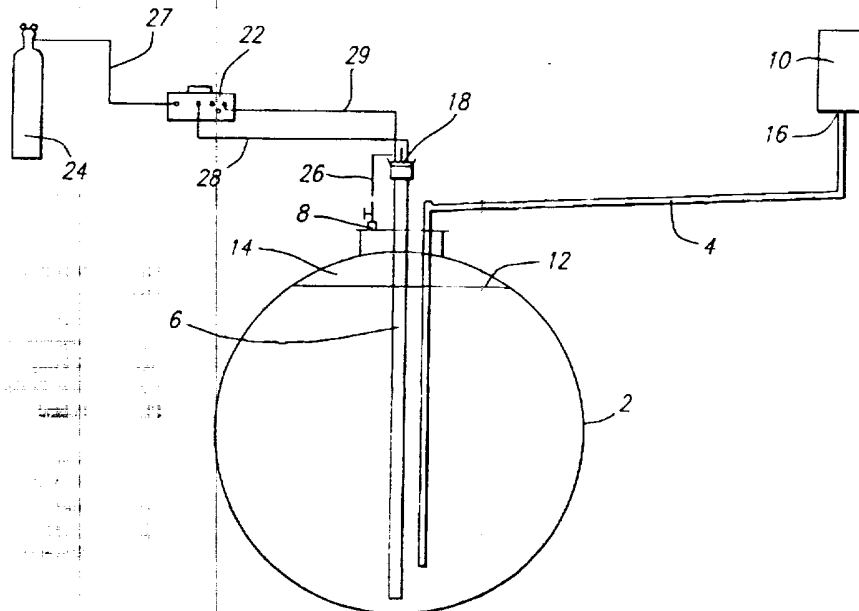




INTERNATIONAL APPLICATION PUBLISHED UNDER THE PATENT COOPERATION TREATY (PCT)

(51) International Patent Classification 6 : G01M 3/32	A3	(11) International Publication Number: WO 95/10033 (43) International Publication Date: 13 April 1995 (13.04.95)
(21) International Application Number: PCT/GB94/02196 (22) International Filing Date: 7 October 1994 (07.10.94) (30) Priority Data: 9320627.4 7 October 1993 (07.10.93) GB (71)(72) Applicant and Inventor: DENBY, Carl [GB/GB]; 51 Park Avenue, Normanton, West Yorkshire WF6 2DR (GB). (74) Agent: BAILEY WALSH & CO.; 5 York Place, Leeds LS1 2SD (GB).	(81) Designated States: AM, AT, AU, BB, BG, BR, BY, CA, CH, CN, CZ, DE, DK, EE, ES, FI, GB, GE, HU, JP, KE, KG, KP, KR, KZ, LK, LR, LT, LU, LV, MD, MG, MN, MW, NL, NO, NZ, PL, PT, RO, RU, SD, SE, SI, SK, TJ, TT, UA, US, UZ, VN, European patent (AT, BE, CH, DE, DK, ES, FR, GB, GR, IE, IT, LU, MC, NL, PT, SE), OAPI patent (BF, BJ, CF, CG, CI, CM, GA, GN, ML, MR, NE, SN, TD, TG), ARIPO patent (KE, MW, SD, SZ). Published <i>With international search report</i> <i>Before the expiration of the time limit for amending the claims and to be republished in the event of the receipt of amendments.</i> (88) Date of publication of the international search report: 11 May 1995 (11.05.95)	

(54) Title: IMPROVEMENTS IN LEAKAGE DETECTION



(57) Abstract

A method of testing the leakage rates from tanks for containing volatile liquids such as petrol or diesel, with a view to determining whether the tank leaks excessively. The tank is at least partially filled during testing in order to save time. The leakage is detected by sealing the tank and measuring the drop in pressure in the tank over a period of time. In order to measure the rate of leakage, a first measurement is taken during which an amount of 380 ml is removed from the tank over a short period whilst otherwise sealed, with the resultant pressure drop being measured as a calibrated value. The tank is then re-sealed and the pressure drop over the period of an hour is compared with the calibrated value.

FOR THE PURPOSES OF INFORMATION ONLY

Codes used to identify States party to the PCT on the front pages of pamphlets publishing international applications under the PCT.

AT	Austria	GB	United Kingdom	MR	Mauritania
AU	Australia	GE	Georgia	MW	Malawi
BB	Barbados	GN	Guinea	NE	Niger
BE	Belgium	GR	Greece	NL	Netherlands
BF	Burkina Faso	HU	Hungary	NO	Norway
BG	Bulgaria	IE	Ireland	NZ	New Zealand
BJ	Benin	IT	Italy	PL	Poland
BR	Brazil	JP	Japan	PT	Portugal
BY	Belarus	KE	Kenya	RO	Romania
CA	Canada	KG	Kyrgystan	RU	Russian Federation
CF	Central African Republic	KP	Democratic People's Republic of Korea	SD	Sudan
CG	Congo	KR	Republic of Korea	SE	Sweden
CH	Switzerland	KZ	Kazakhstan	SI	Slovenia
CI	Côte d'Ivoire	LI	Liechtenstein	SK	Slovakia
CM	Cameroon	LK	Sri Lanka	SN	Senegal
CN	China	LU	Luxembourg	TD	Chad
CS	Czechoslovakia	LV	Latvia	TG	Togo
CZ	Czech Republic	MC	Monaco	TJ	Tajikistan
DE	Germany	MD	Republic of Moldova	TT	Trinidad and Tobago
DK	Denmark	MG	Madagascar	UA	Ukraine
ES	Spain	ML	Mali	US	United States of America
FI	Finland	MN	Mongolia	UZ	Uzbekistan
FR	France			VN	Viet Nam
GA	Gabon				

INTERNATIONAL SEARCH REPORT

International Application No

PCT/GB 94/02196

A. CLASSIFICATION OF SUBJECT MATTER

IPC 6 G01M3/32

According to International Patent Classification (IPC) or to both national classification and IPC

B. FIELDS SEARCHED

Minimum documentation searched (classification system followed by classification symbols)

IPC 6 G01M

Documentation searched other than minimum documentation to the extent that such documents are included in the fields searched

Electronic data base consulted during the international search (name of data base and, where practical, search terms used)

C. DOCUMENTS CONSIDERED TO BE RELEVANT

Category *	Citation of document, with indication, where appropriate, of the relevant passages	Relevant to claim No.
X Y	FR,A,2 447 547 (LE SOURNE) 22 August 1980 see page 3, line 3 - line 18; figure ---	1,3 6
Y	DE,U,85 30 570 (R. BOSCH GMBH) 5 March 1987 see page 3, last paragraph - page 4, paragraph 1 ---	6
A	US,A,4 885 931 (HORNER) 12 December 1989 see column 2, line 20 - line 53; figure -----	8,9

Further documents are listed in the continuation of box C.

Patent family members are listed in annex.

* Special categories of cited documents :

- "A" document defining the general state of the art which is not considered to be of particular relevance
- "E" earlier document but published on or after the international filing date
- "L" document which may throw doubts on priority claim(s) or which is cited to establish the publication date of another citation or other special reason (as specified)
- "O" document referring to an oral disclosure, use, exhibition or other means
- "P" document published prior to the international filing date but later than the priority date claimed

- "T" later document published after the international filing date or priority date and not in conflict with the application but cited to understand the principle or theory underlying the invention
- "X" document of particular relevance; the claimed invention cannot be considered novel or cannot be considered to involve an inventive step when the document is taken alone
- "Y" document of particular relevance; the claimed invention cannot be considered to involve an inventive step when the document is combined with one or more other such documents, such combination being obvious to a person skilled in the art.
- "&" document member of the same patent family

Date of the actual completion of the international search

24 March 1995

Date of mailing of the international search report

05.04.95

Name and mailing address of the ISA

European Patent Office, P.B. 5818 Patentlaan 2
NL - 2280 HV Rijswijk
Tel. (+ 31-70) 340-2040, Tx. 31 651 epo nl,
Fax: (+ 31-70) 340-3016

Authorized officer

Zafiroopoulos, N

INTERNATIONAL SEARCH REPORT

Information on patent family members

Inter. nal Application No

PCT/GB 94/02196

Patent document cited in search report	Publication date	Patent family member(s)	Publication date
FR-A-2447547	22-08-80	NONE	
DE-U-8530570	05-03-87	NONE	
US-A-4885931	12-12-89	NONE	