



US00D466652S

(12) **United States Design Patent** (10) **Patent No.:** **US D466,652 S**
Thurman (45) **Date of Patent:** **** Dec. 3, 2002**

(54) **DUCT**
(76) **Inventor:** **William E. Thurman**, 1800 E. Pointe Dr., Columbia, MO (US) 65201-3508
(**) **Term:** **14 Years**
(21) **Appl. No.:** **29/140,585**
(22) **Filed:** **Apr. 20, 2001**
(51) **LOC (7) Cl.** **23-04**
(52) **U.S. Cl.** **D29/393**
(58) **Field of Search** D23/386, 387, D23/393-394, 421, 499, 262, 266; 52/95, 302.3; 454/237, 250, 275-276, 317

D360,021 S * 7/1995 Sonden et al. D23/262
D383,195 S * 9/1997 Sonden et al. D23/262
D386,246 S * 11/1997 Sonden et al. D23/262

* cited by examiner
Primary Examiner—Louis S. Zarfaz
Assistant Examiner—Robert A. Delehanty

(57) **CLAIM**

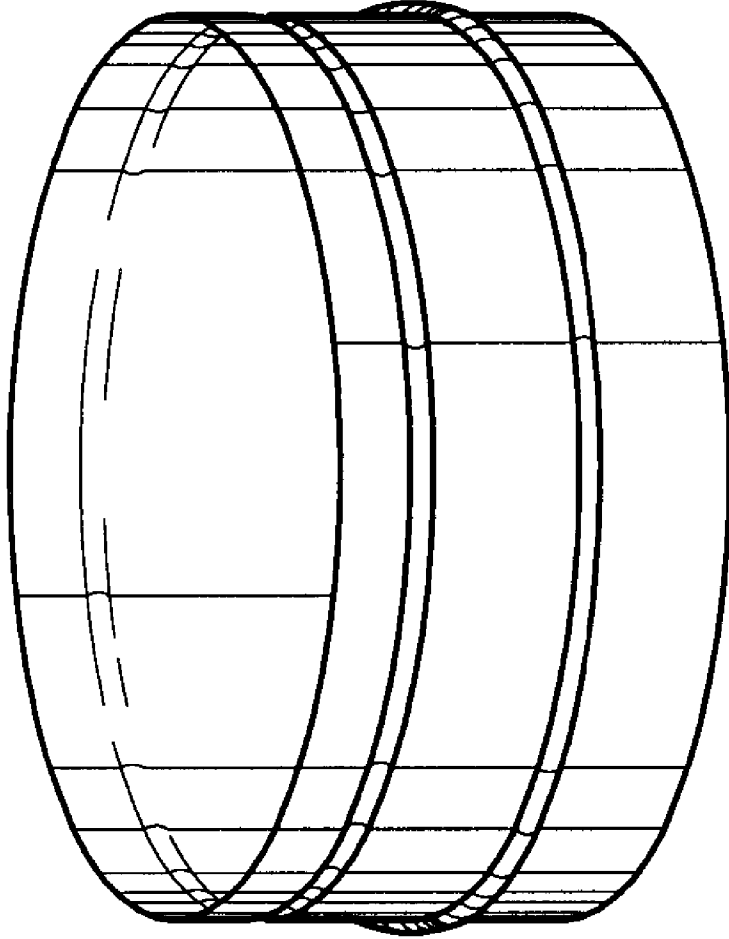
The ornamental design for a duct, as shown and described.

DESCRIPTION

Cross Reference to Related Application: Ser. No. 29/129, 102 of Sep. 7, 2000, Art Unit 2912, with the same title, "Duct", by same applicant.
FIG. 1 is a top view of a duct showing my new ornamental design.
FIG. 2 is a side view thereof.
FIG. 3 is a perspective view thereof.
FIG. 4 is a bottom view thereof; and,
FIG. 5 is an enlarged cross sectional view taken on line 5—5 of FIG. 2.

(56) **References Cited**
U.S. PATENT DOCUMENTS
D25,709 S * 6/1896 Pratt D23/262
1,565,918 A * 12/1925 Fitzgerald 277/598
D234,462 S * 3/1975 Ahlrot D23/262
D360,018 S * 7/1995 Sonden et al. D23/262
D360,019 S * 7/1995 Sonden et al. D23/262

1 Claim, 2 Drawing Sheets



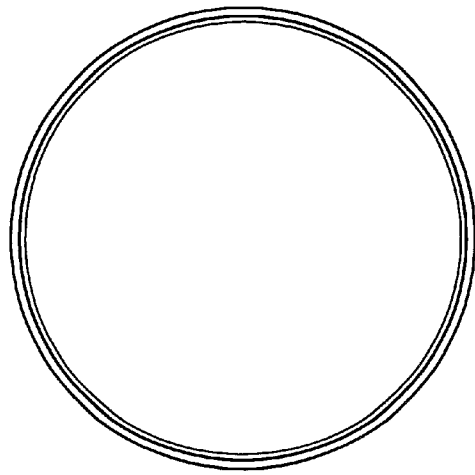


FIG. 1

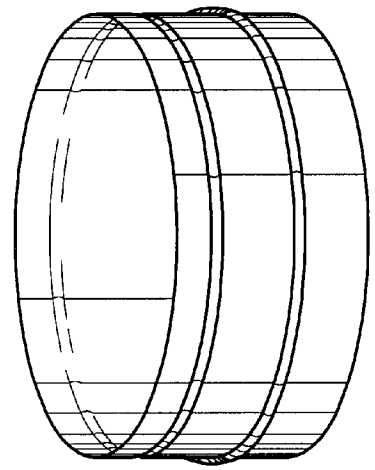


FIG. 3

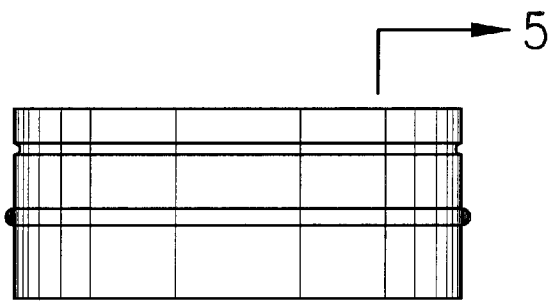


FIG. 2

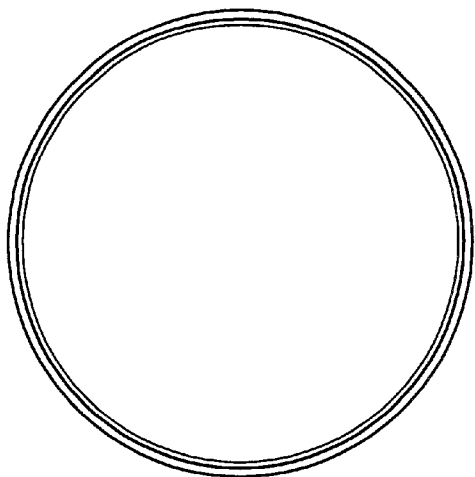
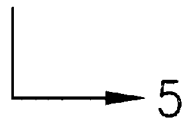


FIG. 4

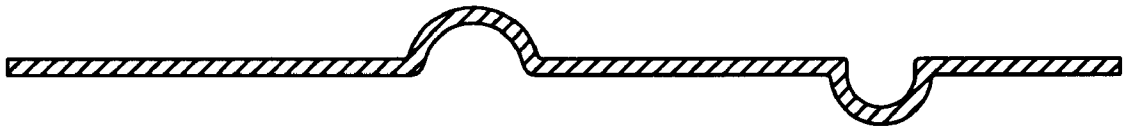


FIG. 5