



(12) **United States Design Patent**
Hume

(10) **Patent No.:** **US D1,069,501 S**
(45) **Date of Patent:** **** Apr. 8, 2025**

(54) **BEVERAGE CONTAINER**

(71) Applicant: **True Fabrications, Inc.**, Seattle, WA
(US)

(72) Inventor: **Ryan William Hume**, Seattle, WA (US)

(**) Term: **15 Years**

(21) Appl. No.: **29/882,664**

(22) Filed: **Jan. 17, 2023**

(51) **LOC (15) Cl.** **07-01**

(52) **U.S. Cl.**

USPC **D7/509**; D7/530

(58) **Field of Classification Search**

USPC D7/507, 509-511, 523, 524, 530, 533,
D7/536, 534, 537, 543, 300.1, 300.2, 303,
D7/600, 619.1, 391, 392.1, 396.1, 396.2,
D7/629, 900; D3/202; D9/503, 505,
D9/435, 439, 531

CPC A63F 2009/0058; A47G 19/2205; A47G
21/18; A47J 41/00; B65D 1/00

See application file for complete search history.

(56) **References Cited**

U.S. PATENT DOCUMENTS

D242,736 S *	12/1976	Craft, III	D11/143
6,189,715 B1 *	2/2001	Dubois	A47G 19/2205 215/377
D550,033 S *	9/2007	Bodum	D7/509
D565,354 S *	4/2008	Bodum	D7/509
D590,209 S *	4/2009	Barducci	D7/525
D630,473 S *	1/2011	Poppie	D7/529
D682,031 S *	5/2013	Poppie	D7/509
D682,032 S *	5/2013	Poppie	D7/509
D695,569 S *	12/2013	Huckestein	D7/532
D698,603 S *	2/2014	Huckestein	D7/509
D723,334 S *	3/2015	Agarwal	D7/523
D744,284 S *	12/2015	Thun	D7/509

(Continued)

FOREIGN PATENT DOCUMENTS

CN 305606949 * 2/2020
CN 306147119 * 11/2020

(Continued)

OTHER PUBLICATIONS

Norlan [online] URL: <https://www.amazon.com/NORLAN-Whisky-Single-Microfiber-Polishing/dp/B0CKM25NTC> (site visited: Mar. 29, 2024) (Year: 2017).*

(Continued)

Primary Examiner — April Rivas

Assistant Examiner — Tia Ruth-Renee Polidori

(74) *Attorney, Agent, or Firm* — Vicky Kaur Bajwa

(57) **CLAIM**

The ornamental design for a beverage container, as shown and described.

DESCRIPTION

FIG. 1 is a front elevation view of a beverage container showing my new design;

FIG. 2 is a rear elevation view of the beverage container of FIG. 1;

FIG. 3 is a left side elevation view of the beverage container of FIG. 1;

FIG. 4 is a right side elevation view of the beverage container of FIG. 1;

FIG. 5 is a top view of the beverage container of FIG. 1;

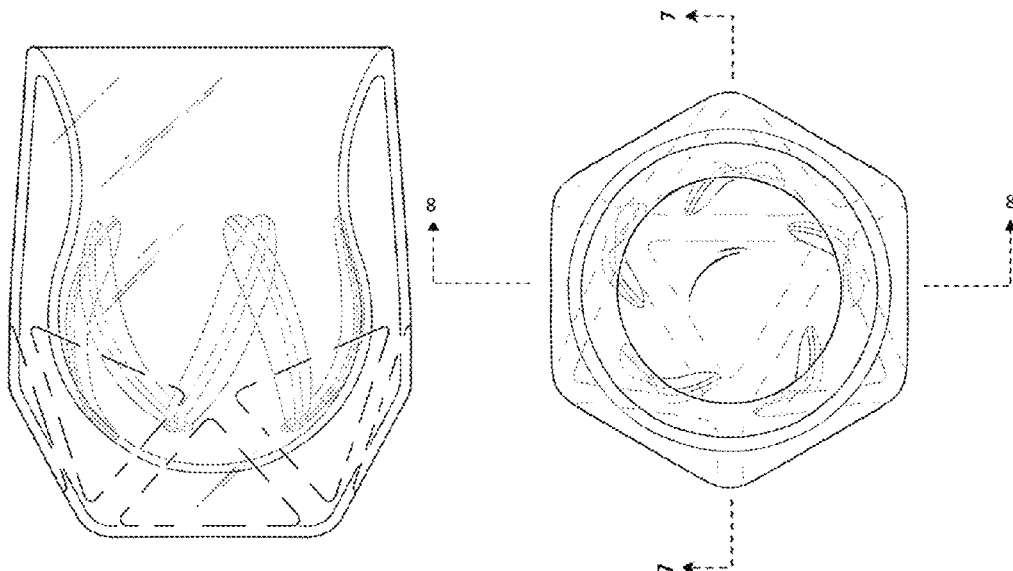
FIG. 6 is a bottom view of the beverage container of FIG. 1;

FIG. 7 is a sectional view of the beverage container of FIG. 1; taken in the direction of line 7-7 on FIG. 5;

FIG. 8 is a sectional view of the beverage container of FIG. 1; taken in the direction of line 8-8 on FIG. 5; and,

FIG. 9 is a top perspective view of the beverage container of FIG. 1.

1 Claim, 5 Drawing Sheets



(56)

References Cited

U.S. PATENT DOCUMENTS

D772,018	S *	11/2016	Rashid	D7/603
D776,979	S *	1/2017	Recht	D7/530
D779,274	S *	2/2017	Rashid	D7/525
D789,747	S *	6/2017	Hume	D7/509
D790,924	S *	7/2017	Hume	D7/531
D796,263	S *	9/2017	Recht	D7/530
D815,909	S *	4/2018	Paulin	D7/531
D878,158	S *	3/2020	Recht	D7/530
D878,159	S *	3/2020	Recht	D7/530
D883,034	S *	5/2020	Abbasi	D7/529
D889,207	S *	7/2020	Ambrosi	D7/529
D942,541	S *	2/2022	Wen	D19/84
2006/0249518	A1 *	11/2006	Festa	A47G 19/2205 220/669
2007/0267422	A1 *	11/2007	Barducci	A47G 19/2205 220/608
2016/0031630	A1 *	2/2016	Malaspino	A47G 19/2288 220/592.2
2019/0014931	A1 *	1/2019	Khayman	A47G 19/2255
2020/0229623	A1 *	7/2020	Liu	B01F 23/232

FOREIGN PATENT DOCUMENTS

CN	306429112	*	4/2021
CN	308093916	*	6/2023
NZ	408264-0001	*	11/2006

OTHER PUBLICATIONS

LinLong [online] URL: <https://www.amazon.co.jp/-/en/Glass-Tumbler-Whiskey-Fashion-Color/dp/B0891R59VH> (site visited: Mar. 29, 2024) (Year: 2020).*

Viski [online] URL: <https://www.amazon.com/Viski-Whiskey-Tasting-Specialty-Dishwasher/dp/B09QMSQTQK?th=1> (site visited: Mar. 29, 2024) (Year: 2022).*

Viski (8 ounce) [online] URL: <https://www.amazon.com/Viski-Alchemi-Aerating-Specialty-Dishwasher/dp/B0BN4PFHFB> (site visited: Mar. 29, 2024) (Year: 2022).*

Viski with Stones [online] URL: <https://www.amazon.com/dp/B08XLPHW3S> (site visited: Mar. 29, 2024) (Year: 2021).*

James Bentley [online] URL: <https://www.amazon.com/dp/B078JLC6J3> (site visited: Mar. 29, 2024) (Year: 2018).*

Brilliant [online] URL: <https://www.amazon.com/Tourbillon-Aerating-Stemless-Wine-Tumbler/dp/B01FGGURAA> (site visited: Mar. 29, 2024) (Year: 2016).*

Norlan [online] URL: https://norlanglass.com/products/norlan-whisky-glass?gad_source=1&gclid=EAlalQobChMIr_yjsrOPigMVzp2DBx2IlwZ2EAQYASABEgLBXPD_BwE (site visited: Dec. 10, 2024) (Year: 2024).*

JoyJolt [online] URL: <https://www.macys.com/shop/product/joyjolt-lacey-double-wall-whiskey-glasses-set-of-2?> (site visited: Dec. 10, 2024) (Year: 2020).*

Walmart [online] URL: <https://www.walmart.com/ip/Double-Wall-Diamond-Whisky-Glass-6-8-Ounces-Set-of-2/517871632?> (site visited: Dec. 10, 2024) (Year: 2024).*

* cited by examiner

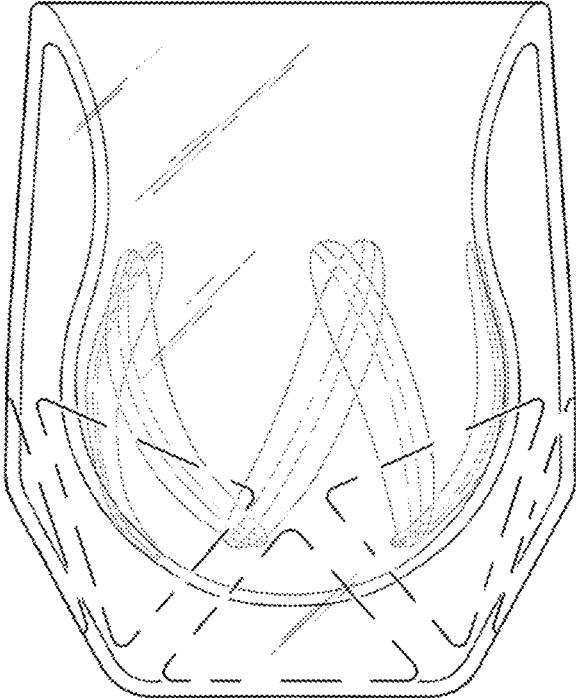


FIG. 1

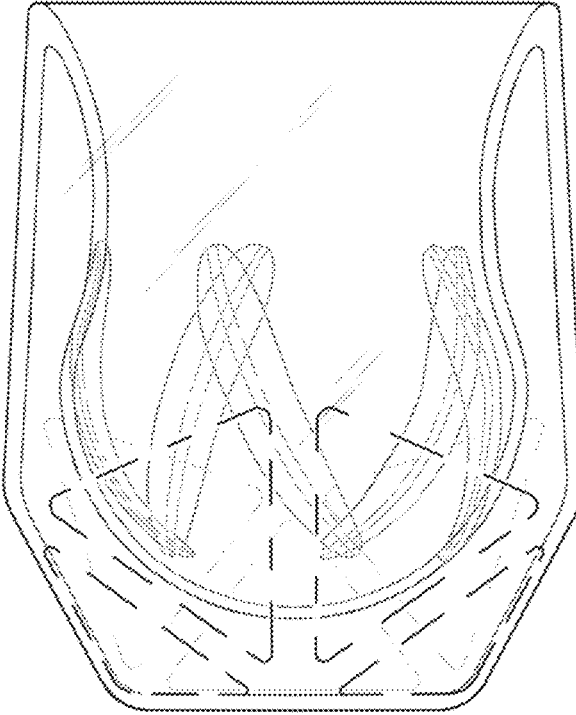


FIG. 2



FIG. 3

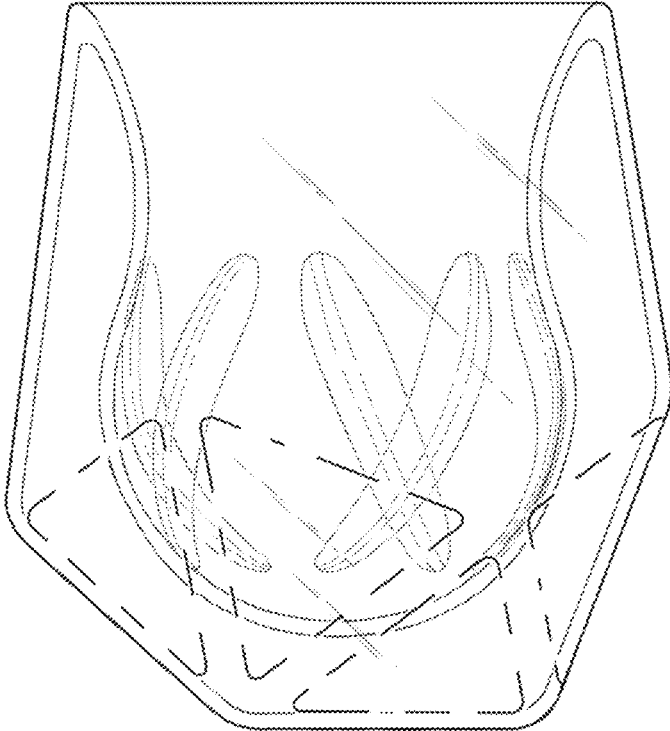


FIG. 4

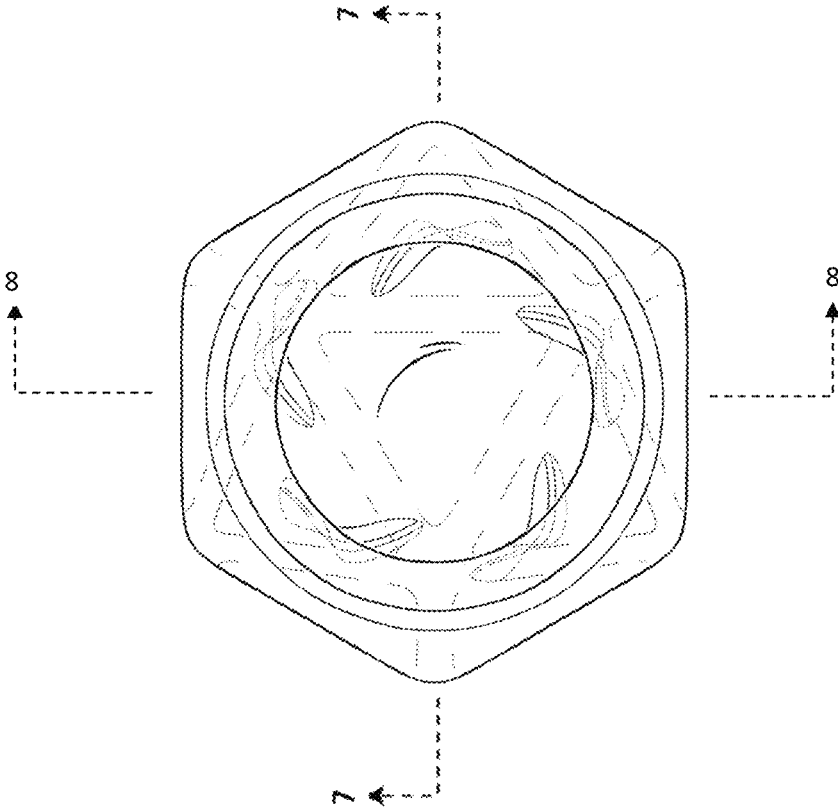


FIG. 5

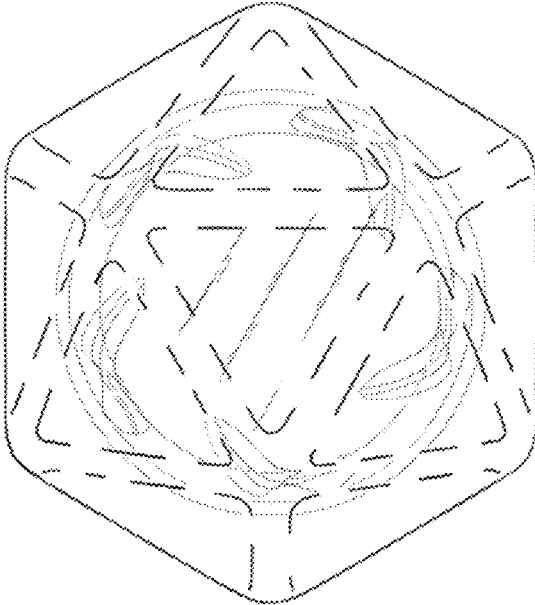


FIG. 6

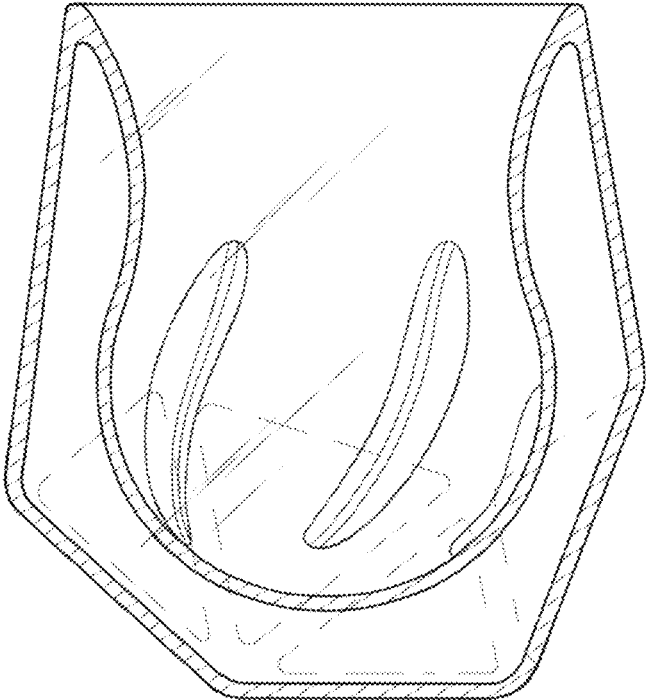


FIG. 7

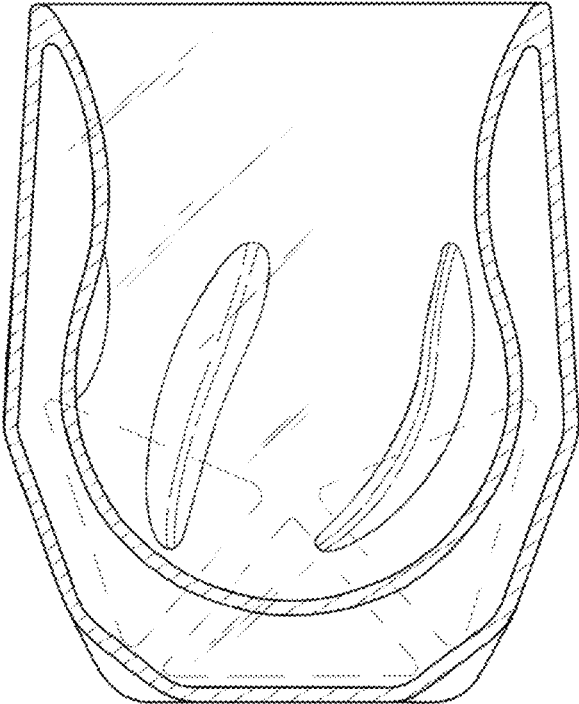


FIG. 8

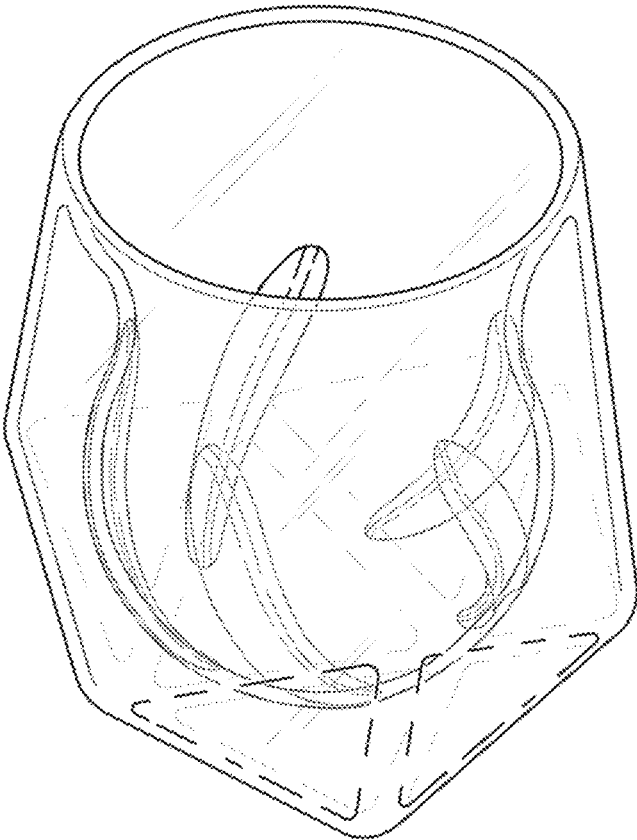


FIG. 9