



US00D790274S

(12) **United States Design Patent** (10) **Patent No.:** **US D790,274 S**
Martin et al. (45) **Date of Patent:** **** Jun. 27, 2017**

(54) **BURNER**
(71) Applicant: **Electrolux Home Products, Inc.**,
Charlotte, NC (US)
(72) Inventors: **Robert Martin**, Charlotte, NC (US);
Scott King, Charlotte, NC (US);
Matthew Vergin, St. Petersburg, FL
(US)
(73) Assignee: **Electrolux Home Products, Inc.**,
Charlotte, NC (US)

D530,972 S 10/2006 Park
D535,515 S 1/2007 Sadtler
D535,847 S 1/2007 Sadtler
D536,568 S 2/2007 Ostlund et al.
D541,577 S 5/2007 Kim
D542,079 S 5/2007 Kim
D557,069 S 12/2007 Shin et al.
D557,548 S 12/2007 Fisher
D557,981 S * 12/2007 Ross D7/407
D560,955 S 2/2008 Shin et al.
D563,714 S 3/2008 Sadtler

(Continued)

(**) Term: **15 Years**

FOREIGN PATENT DOCUMENTS

CA 086900 A 5/1904
CA 086901 A 5/1904

(Continued)

(21) Appl. No.: **29/534,078**

Primary Examiner — Sheryl Lane
Assistant Examiner — Nicole Shiflet
(74) *Attorney, Agent, or Firm* — Banner & Witcoff, Ltd.

(22) Filed: **Jul. 24, 2015**
(51) **LOC (10) Cl.** **07-02**
(52) **U.S. Cl.**

(57) **CLAIM**

The ornamental design for a burner, as shown and described.

USPC **D7/407**
(58) **Field of Classification Search**
USPC D7/402–408, 339–340, 346–349,
D7/350.1–351, 323, 330–338
CPC H05B 6/763; H05B 6/6414; H05B 6/6408;
Y02B 40/14; Y02B 40/143; Y02B
40/146; F24C 15/02; F24C 1/00; F24C
14/00; F24C 3/00; F24C 5/00; F24C
7/00; A47J 37/07; A47J 37/06
See application file for complete search history.

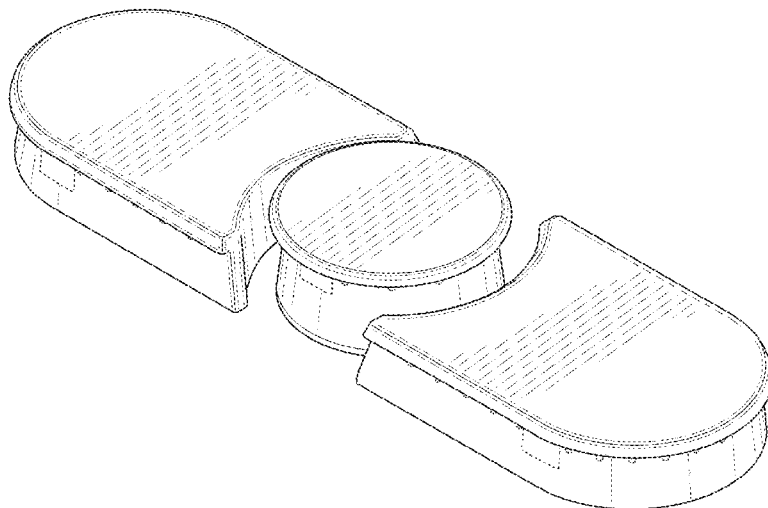
DESCRIPTION

FIG. 1 is a front perspective view of a burner showing my new design;
FIG. 2 is a top view thereof;
FIG. 3 is a left side view thereof;
FIG. 4 is a right side view thereof;
FIG. 5 is a front view thereof;
FIG. 6 is a rear view thereof; and,
FIG. 7 is a front perspective view of the burner of FIGS. 1-6 shown on an exemplary cooking appliance.
The broken line showing of the various unshaded regions of the burner and the cooking appliance in FIG. 7 is for environmental purposes only and forms no part of the claimed design.

(56) **References Cited**
U.S. PATENT DOCUMENTS

34,339 A * 2/1862 Walker A47J 37/06
126/14
D334,866 S * 4/1993 Warren D7/407
D397,910 S * 9/1998 Murphy D7/407
D417,363 S * 12/1999 Deo D7/407
D427,486 S * 7/2000 Bales D7/408
D470,721 S * 2/2003 Home D7/407
D473,747 S 4/2003 Seymour et al.

1 Claim, 5 Drawing Sheets



US D790,274 S

(56)

References Cited

U.S. PATENT DOCUMENTS

D564,281 S	3/2008	Kim	
D564,282 S	3/2008	Suh et al.	
D565,896 S *	4/2008	Pryor	D7/407
D565,898 S *	4/2008	Pryor	D7/407
D568,100 S	5/2008	Jeon	
D578,823 S	10/2008	Kim	
D587,067 S	2/2009	Kim	
D602,738 S	10/2009	Bengtson et al.	
D605,456 S	12/2009	Bengtson et al.	
D610,863 S	3/2010	Kim et al.	
D615,344 S	5/2010	Grey et al.	
D615,345 S	5/2010	Grey et al.	
D615,800 S	5/2010	Grey et al.	
D615,802 S	5/2010	Grey et al.	
D616,695 S	6/2010	Grey et al.	
D617,133 S	6/2010	Grey et al.	
D622,543 S	8/2010	Funnell et al.	
D623,889 S	9/2010	Kim et al.	
D628,017 S	11/2010	Funnell et al.	
D633,337 S	3/2011	Funnell, II et al.	
D653,900 S	2/2012	Kim et al.	
D654,311 S	2/2012	Benold	
D654,314 S	2/2012	Benold	
D655,128 S	3/2012	Kim et al.	
D656,776 S	4/2012	Funnell, II et al.	
D666,055 S *	8/2012	O'Neil	D7/407
D669,728 S	10/2012	Funnell, II et al.	
D669,729 S	10/2012	Funnell, II et al.	
D670,527 S	11/2012	Kim et al.	
D682,602 S	5/2013	Funnell, II et al.	
D682,603 S	5/2013	Funnell, II et al.	
D684,422 S	6/2013	Funnell, II et al.	
D684,424 S	6/2013	Funnell et al.	
D685,602 S	7/2013	Lee	
D697,358 S	1/2014	Kim et al.	
D699,503 S	2/2014	Funnell, II et al.	
D700,469 S	3/2014	Reay et al.	

D701,074 S	3/2014	Funnell, II et al.	
D702,988 S	4/2014	Boo et al.	
D710,150 S	8/2014	Busalt et al.	
2010/0104992 A1*	4/2010	Padgett	F23D 14/06 431/202

FOREIGN PATENT DOCUMENTS

CA	108099 A	10/1907
CA	108103 A	10/1907
CA	114155 A	9/1908
CA	114156 A	9/1908
CA	114171 A	9/1908
CA	114172 A	9/1908
CA	119629 A	7/1909
CA	119630 A	7/1909
CA	125490 A	5/1910
CA	125577 A	5/1910
CA	130973 A	2/1911
CA	132022 A	3/1911
CA	132023 A	3/1911
CA	132024 A	3/1911
CA	132137 A	4/1911
CA	133869 A	6/1911
CA	135202 A	8/1911
CA	135203 A	8/1911
CA	135560 A	9/1911
CA	135561 A	9/1911
CA	135680 A	9/1911
CA	143326 A	10/1912
CA	143377 A	10/1912
CA	143378 A	10/1912
CA	145991 A	2/1913
CA	145992 A	2/1913
CA	145993 A	2/1913
CA	145994 A	2/1913
CA	145997 A	2/1913
CA	149668 A	7/1913

* cited by examiner

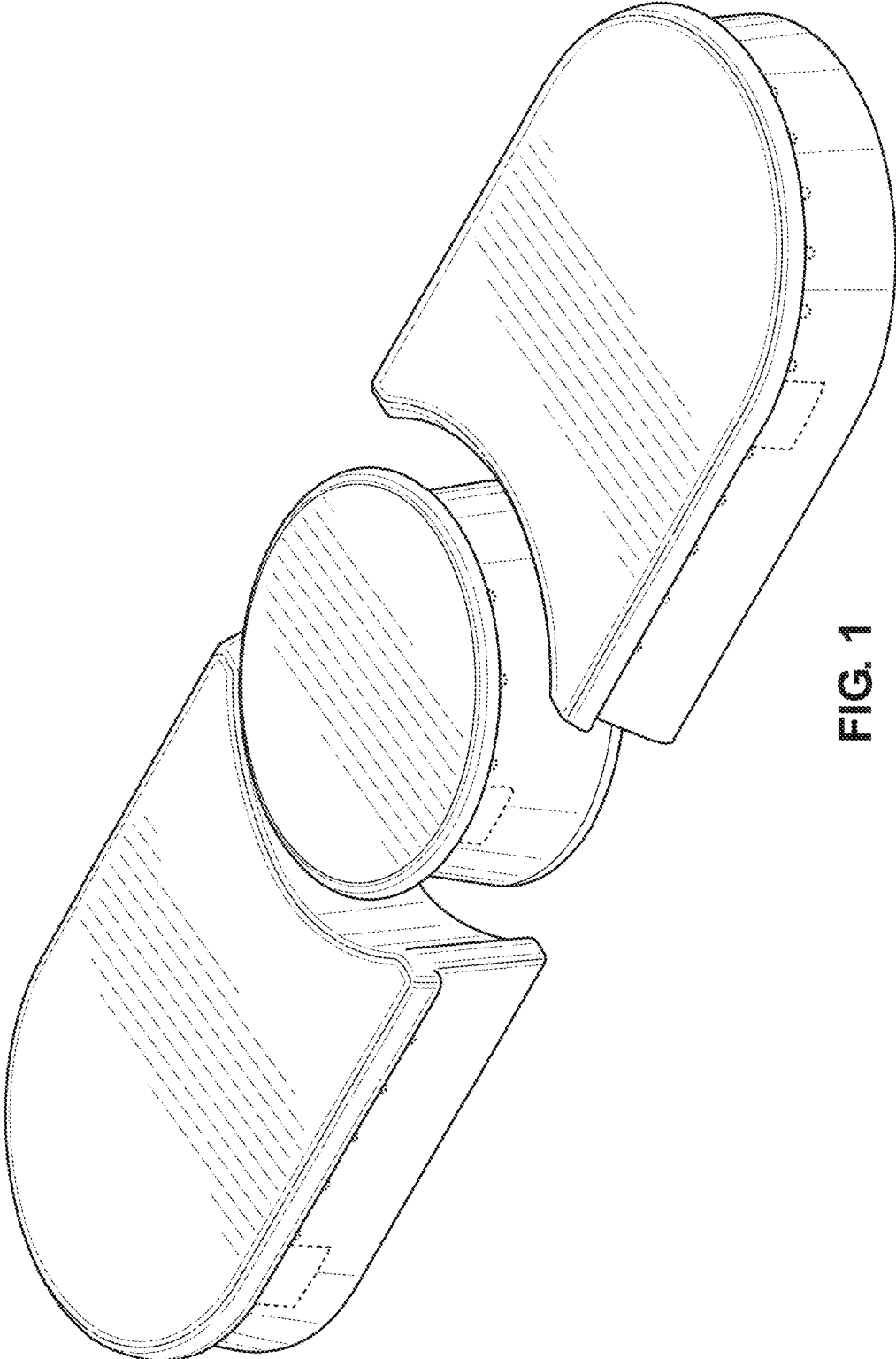


FIG. 1

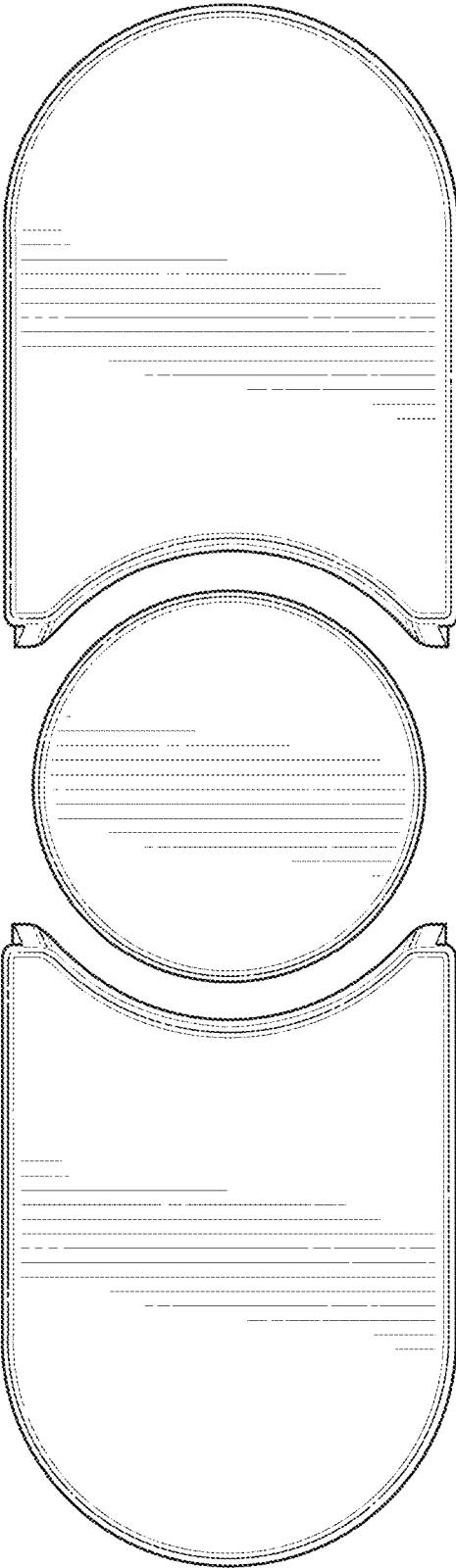


FIG. 2

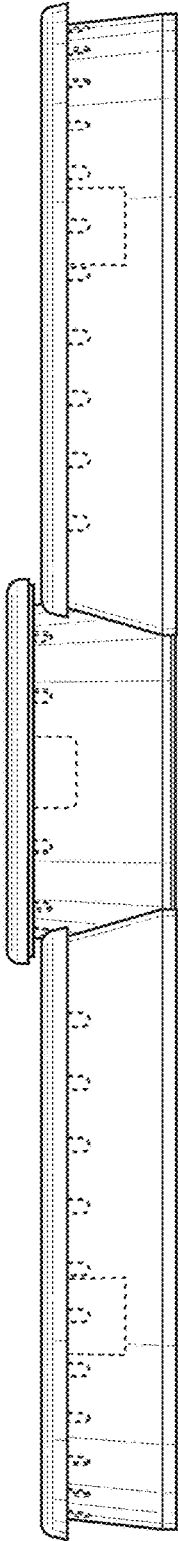


FIG. 3

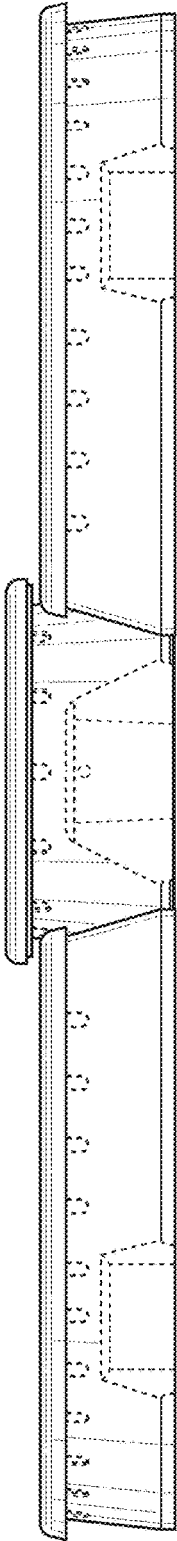


FIG. 4

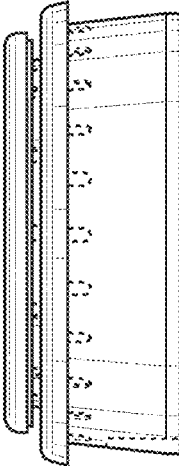


FIG. 5

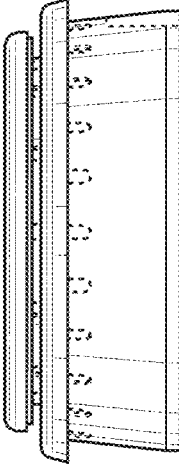


FIG. 6

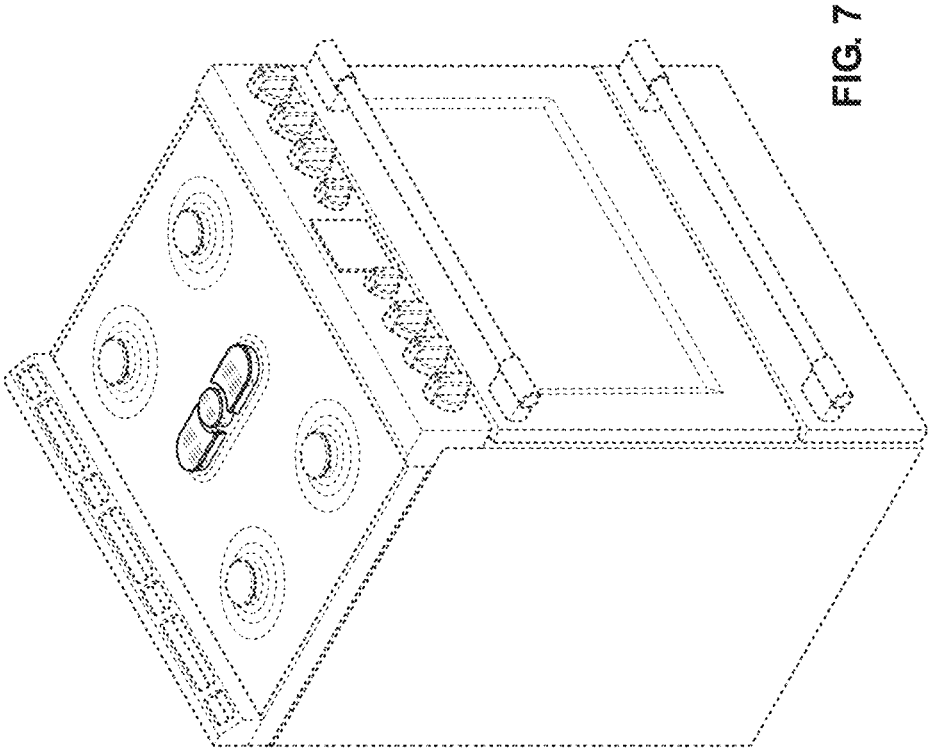


FIG. 7