



- (51) **International Patent Classification:**  
C12Q 1/04 (2006.01) C12M 1/24 (2006.01)
- (21) **International Application Number:**  
PCT/US2009/044498
- (22) **International Filing Date:**  
19 May 2009 (19.05.2009)
- (25) **Filing Language:** English
- (26) **Publication Language:** English
- (30) **Priority Data:**  
12/137,591 12 June 2008 (12.06.2008) US
- (71) **Applicant (for all designated States except US):** AMERICAN STERILIZER COMPANY [US/US]; 5960 Heisley Road, Mentor, OH 44060-1834 (US).
- (72) **Inventors; and**
- (75) **Inventors/Applicants (for US only):** SESTAK, Joseph, T. [US/US]; 4016 Alison Ave., Erie, PA 16506 (US). BUCZYNSKI, Peter, J. [US/US]; 119 Olin Ave., Girard, PA 16417 (US).
- (74) **Agents:** KUSNER, Mark et al.; Kusner & Jaffe, Highland Place-suite 310, 6151 Wilson Mills Road, Highland Heights, OH 44143 (US).
- (81) **Designated States (unless otherwise indicated, for every kind of national protection available):** AE, AG, AL, AM,

AO, AT, AU, AZ, BA, BB, BG, BH, BR, BW, BY, BZ, CA, CH, CN, CO, CR, CU, CZ, DE, DK, DM, DO, DZ, EC, EE, EG, ES, FI, GB, GD, GE, GH, GM, GT, HN, HR, HU, ID, IL, IN, IS, JP, KE, KG, KM, KN, KP, KR, KZ, LA, LC, LK, LR, LS, LT, LU, LY, MA, MD, ME, MG, MK, MN, MW, MX, MY, MZ, NA, NG, NI, NO, NZ, OM, PG, PH, PL, PT, RO, RS, RU, SC, SD, SE, SG, SK, SL, SM, ST, SV, SY, TJ, TM, TN, TR, TT, TZ, UA, UG, US, UZ, VC, VN, ZA, ZM, ZW.

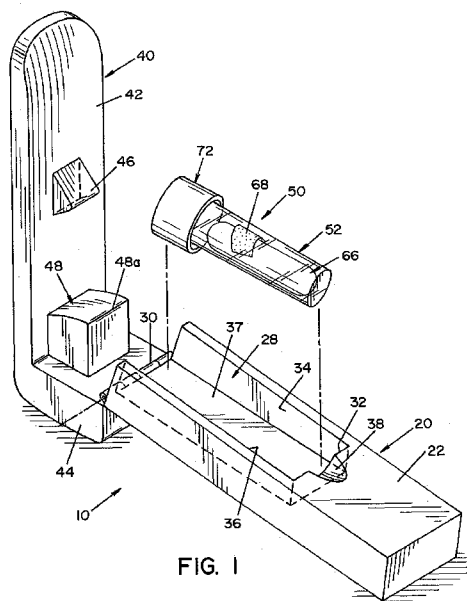
- (84) **Designated States (unless otherwise indicated, for every kind of regional protection available):** ARIPO (BW, GH, GM, KE, LS, MW, MZ, NA, SD, SL, SZ, TZ, UG, ZM, ZW), Eurasian (AM, AZ, BY, KG, KZ, MD, RU, TJ, TM), European (AT, BE, BG, CH, CY, CZ, DE, DK, EE, ES, FI, FR, GB, GR, HR, HU, IE, IS, IT, LT, LU, LV, MC, MK, MT, NL, NO, PL, PT, RO, SE, SI, SK, TR), OAPI (BF, BJ, CF, CG, CI, CM, GA, GN, GQ, GW, ML, MR, NE, SN, TD, TG).

**Published:**

- with international search report (Art. 21(3))
- before the expiration of the time limit for amending the claims and to be republished in the event of receipt of amendments (Rule 48.2(h))

- (88) **Date of publication of the international search report:**  
11 March 2010

(54) **Title:** DEVICE FOR ACTIVATING A SELF-CONTAINED BIOLOGICAL INDICATOR



(57) **Abstract:** The present invention provides a device for activating a self-contained biological indicator. The biological indicator includes a casing, an ampule having a growth-promoting medium disposed therein and microorganisms. The ampule and microorganisms are disposed within the casing. The device is comprised of a first lever arm having a cavity formed therein. The cavity is dimensioned to receive a biological indicator. A second lever arm has a protrusion extending from a surface thereof and is moveable relative to the first lever arm to deform a casing of the biological indicator thereby fracturing an ampule in the casing and exposing microorganisms in the casing to a growth-promoting medium in the ampule of the biological indicator.



**A. CLASSIFICATION OF SUBJECT MATTER***C12Q 1/04(2006.01)i, C12M 1/24(2006.01)i*

According to International Patent Classification (IPC) or to both national classification and IPC

**B. FIELDS SEARCHED**

Minimum documentation searched (classification system followed by classification symbols)

IPC 8: C12Q 1/02, C12Q 1/22, A61L 2/00, G01N 33/72, B26B 3/00

Documentation searched other than minimum documentation to the extent that such documents are included in the fields searched

Electronic data base consulted during the international search (name of data base and, where practicable, search terms used)

eKOMPASS, WPI, USPTO, PAJ "self-contained, biological indicator, microorganism, ampule, lever, arm, etc."

**C. DOCUMENTS CONSIDERED TO BE RELEVANT**

Category*	Citation of document, with indication, where appropriate, of the relevant passages	Relevant to claim No.
A	US 2005-0014214 A1 (RANDAL W. EVELAND and TRICIA A. CREGGER, US) 20 Jan. 2005 See the whole document	1-16
A	US 2008-0070272 A1 (PHILLIP P. FRANCISKOVICH et al., US) 20 Mar. 2008 See the whole document	1-16
A	US 5,552,320 (DANIEL F. SMITH, US) 03 Sep. 1996 See the whole document	1-16
A	US 5,500,184 (STEVEN G. PALMER, US) 19 Mar. 1996 See the whole document	1-16
A	US 2008-0131971 A1 (BURRELL E. CLAWSON, US) 05 Jun. 2008 See the whole document	1-16
A	US 6,566,090 B2 (KELVIN J. WITCHER and LEWIS P. WOODSON, US) 20 May 2003 See the whole document	1-16

 Further documents are listed in the continuation of Box C. See patent family annex.

\* Special categories of cited documents:

"A" document defining the general state of the art which is not considered to be of particular relevance

"E" earlier application or patent but published on or after the international filing date

"L" document which may throw doubts on priority claim(s) or which is cited to establish the publication date of citation or other special reason (as specified)

"O" document referring to an oral disclosure, use, exhibition or other means

"P" document published prior to the international filing date but later than the priority date claimed

"T" later document published after the international filing date or priority date and not in conflict with the application but cited to understand the principle or theory underlying the invention

"X" document of particular relevance; the claimed invention cannot be considered novel or cannot be considered to involve an inventive step when the document is taken alone

"Y" document of particular relevance; the claimed invention cannot be considered to involve an inventive step when the document is combined with one or more other such documents, such combination being obvious to a person skilled in the art

"&amp;" document member of the same patent family

Date of the actual completion of the international search

04 JANUARY 2010 (04.01.2010)

Date of mailing of the international search report

**05 JANUARY 2010 (05.01.2010)**

Name and mailing address of the ISA/KR

Korean Intellectual Property Office  
Government Complex-Daejeon, 139 Seonsa-ro, Seo-  
gu, Daejeon 302-701, Republic of Korea

Facsimile No. 82-42-472-7140

Authorized officer

Heo, Joo-Hyung

Telephone No. 82-42-481-8150



**INTERNATIONAL SEARCH REPORT**

International application No.

**PCT/US2009/044498**

C (Continuation). DOCUMENTS CONSIDERED TO BE RELEVANT		
Category*	Citation of document, with indication, where appropriate, of the relevant passages	Relevant to claim No.
A	US 2005-0074833 A1 (JOHN R. GILLIS et al., US) 07 Apr. 2005 See the whole document	1-16
A	US 6,355,448 B1 (WILLIAM E. FOLTZ et al., US) 12 Mar. 2002 See the whole document	1-16
A	US 4,637,139 (FU CHEN, TW) 20 Jan. 1987 See the whole document	1-16

**INTERNATIONAL SEARCH REPORT**

Information on patent family members

International application No.

**PCT/US2009/044498**

Patent document cited in search report	Publication date	Patent family member(s)	Publication date
US 2005-0014214 A1	20.01.2005	WO 2005-009484 A2 US 6,924,139 B2 TW 0255197 B	03.02.2005 02.08.2005 21.05.2006
US 2008-0070272 A1	20.03.2008	WO 2008-082728 A2 US 2009-0117603 A1 EP 2084294 A2 CN 11541944 A CA 2665246 AA AU 7340263 AA	10.07.2008 07.05.2009 05.08.2009 23.09.2009 10.07.2008 10.07.2008
US 5,552,320	03.09.1996	ZA 1994-05941 A JP 03-547805 B2 FI 0112170 B1 ES 2138045 T3 EP 063865 0A1 DE 69421469 C0 CA 2129573 AA BR 1994-03188 A AU 0687819 B2	08.02.1996 28.07.2004 14.11.2003 01.01.2000 15.02.1995 09.12.1999 10.02.1995 11.04.1995 05.03.1998
US 5,500,184	19.03.1996	WO 1995-08638 A2 US 5,482,171 US 5,405,580 JP 09-503127 T2 EP 0720656 A1 CA 2172544 AA	30.03.1995 09.01.1996 11.04.1995 31.03.1997 10.07.1996 30.03.1995
US 2008-0131971 A1	05.06.2008	WO 2008-039384 A2 US 7,592,181 B2 EP 2087360 A2	03.04.2008 22.09.2009 12.08.2009
US 6,566,090 B2	20.05.2003	WO 2000-50634 A1 US 2002-0115131 A1 US 6,352,837 B1 EP 1155142 A1 CA 2362573 AA AU 2000-25115 A5	31.08.2000 22.08.2002 05.03.2002 21.11.2001 31.08.2000 14.09.2000
US 2005-0074833 A1	07.04.2005	WO 2005-036128 A2 US 7,563,616 B2 KR 10-2006-091313 A EP 1675959 A2 CA 2539795 AA AU 2004-281054 AA	21.04.2005 21.07.2009 18.08.2006 05.07.2006 21.04.2005 21.04.2005

**INTERNATIONAL SEARCH REPORT**

Information on patent family members

International application No.

**PCT/US2009/044498**

Patent document cited in search report	Publication date	Patent family member(s)	Publication date
US 6,355,448 B1	12.03.2002	WO 1999-62569A1	09.12.1999
		US 7,045,343 B2	16.05.2006
		JP 2002-516677 T2	11.06.2002
		ES 2237915 T3	01.08.2005
		EP 1083944 A1	21.03.2001
		DE 69923969 C0	07.04.2005
		CA 2333753 AA	09.12.1999
		AU 0751552 B2	22.08.2002
US 4,637,139	20.01.1987	None	