



US00D638461S

(12) **United States Design Patent**
Kim et al.

(10) **Patent No.:** **US D638,461 S**

(45) **Date of Patent:** **** May 24, 2011**

(54) **SUPPORT FOR PROJECTOR**

(75) Inventors: **Byung Soo Kim**, Gyeonggi-do (KR);
Kyoung Jung Kim, Gyeonggi-do (KR);
Chul Min Lim, Busan (KR); **Min Su**
Song, Seoul (KR); **Jung Eun Kim**,
Seoul (KR)

(73) Assignee: **LG Electronics Inc.**, Seoul (KR)

(**) Term: **14 Years**

(21) Appl. No.: **29/366,102**

(22) Filed: **Jul. 20, 2010**

(30) **Foreign Application Priority Data**

Feb. 12, 2010 (KR) 30-2010-0006627

(51) **LOC (9) Cl.** **16-02**

(52) **U.S. Cl.** **D16/235**; D16/242

(58) **Field of Classification Search** D16/235,
D16/237, 242, 245; D8/349, 373, 380; 348/373,
348/375; 248/126, 176.1, 177.1, 185.1, 187.1,
248/346.01, 346.03, 346.06, 519, 523, 371
See application file for complete search history.

(56) **References Cited**

U.S. PATENT DOCUMENTS

D308,067 S * 5/1990 Mednick D16/245
D310,677 S * 9/1990 Stidham et al. D16/242
5,209,446 A * 5/1993 Kawai 248/183.2
5,588,625 A * 12/1996 Beak 248/371

5,755,420 A * 5/1998 Wu et al. 248/371
D463,250 S * 9/2002 Valentz D8/349
D470,038 S * 2/2003 Lapp et al. D8/380
D514,612 S * 2/2006 Boele D16/235
7,540,463 B2 * 6/2009 Tsuboi 248/393
D604,352 S * 11/2009 Carlesso D16/245
2007/0152117 A1 * 7/2007 Byrd 248/187.1
2010/0231815 A1 * 9/2010 Kim et al. 248/176.1

* cited by examiner

Primary Examiner — Ian Simmons

Assistant Examiner — Wan Laymon

(74) *Attorney, Agent, or Firm* — Morgan, Lewis & Bockius
LLP

(57) **CLAIM**

We claim the ornamental design for a support for projector, as
shown and described.

DESCRIPTION

FIG. 1 is a perspective view of a support for projector showing
my new design:

FIG. 2 is a front elevation view thereof;

FIG. 3 is a rear elevation view thereof;

FIG. 4 is a left-side elevation view thereof;

FIG. 5 is a right-side elevation view thereof;

FIG. 6 is a top plan view thereof;

FIG. 7 is a bottom plan view thereof; and,

FIG. 8 is a cross-sectional thereof, taken along line 8—8 in
FIG. 6.

1 Claim, 5 Drawing Sheets

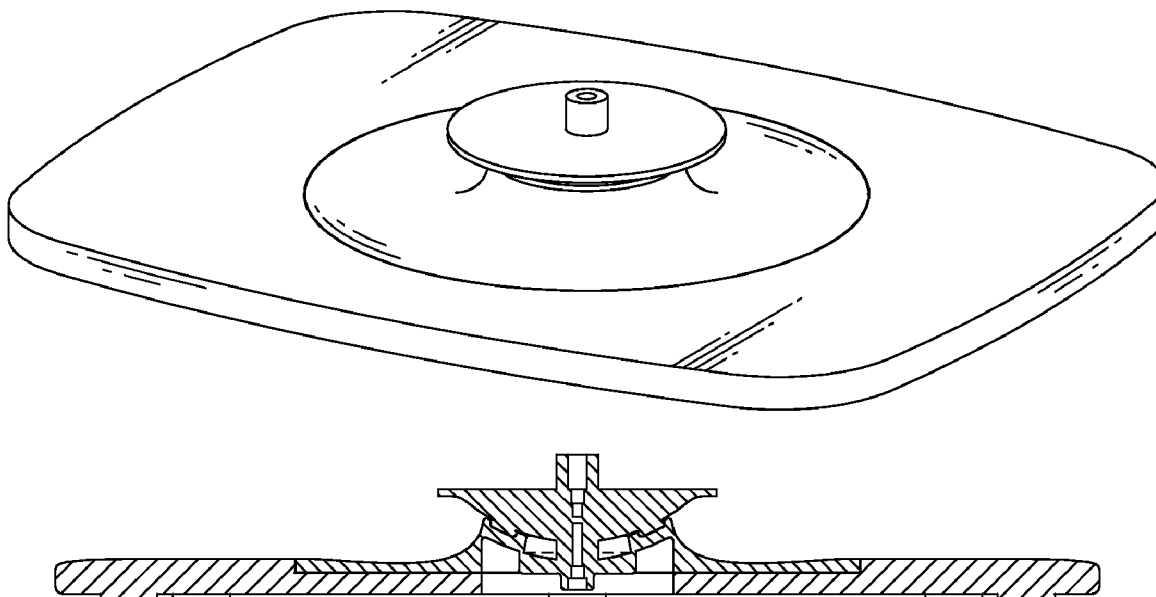


FIG. 1

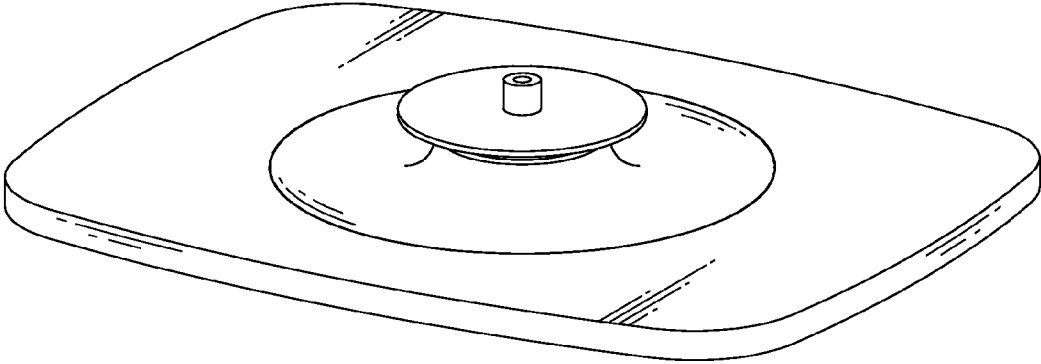


FIG.2

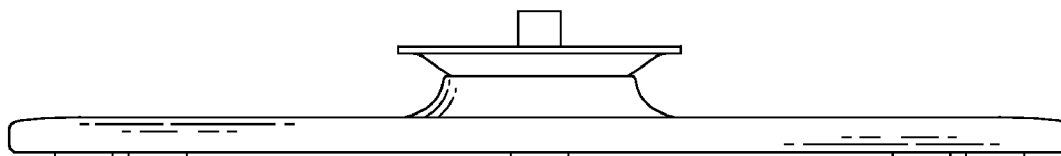


FIG.3

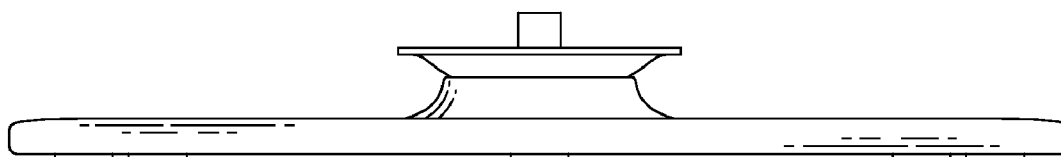


FIG. 4

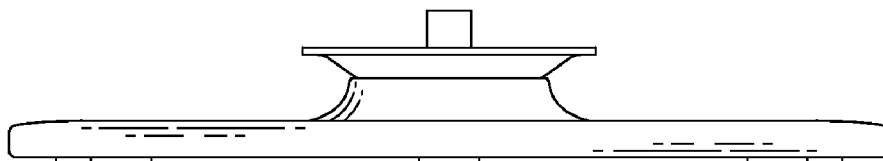


FIG. 5

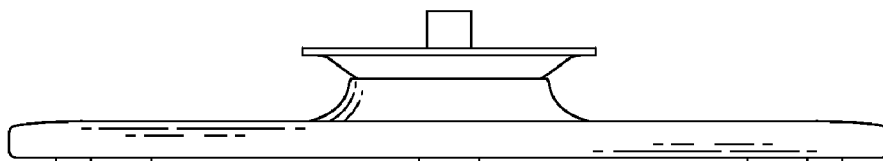


FIG. 6

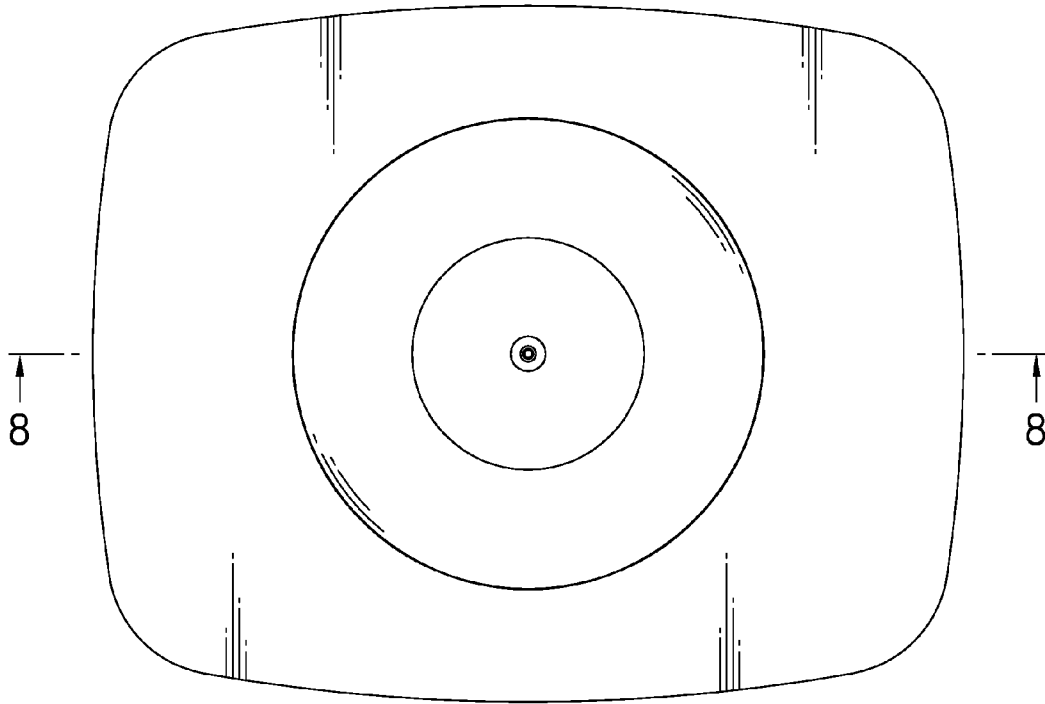


FIG. 7

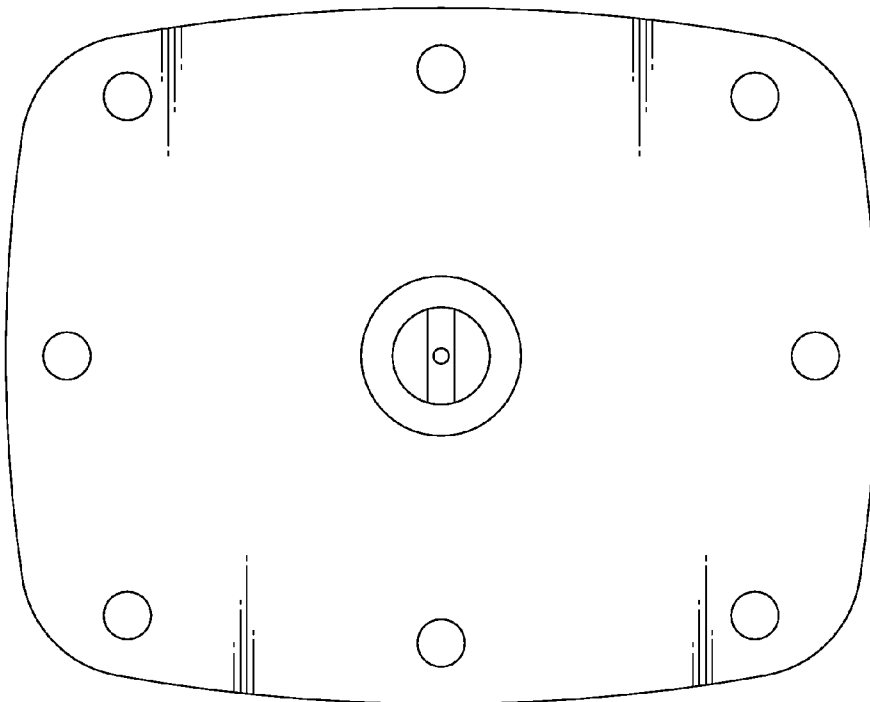


FIG. 8

