

(19) World Intellectual Property Organization
International Bureau



(43) International Publication Date
15 February 2007 (15.02.2007)

PCT

(10) International Publication Number
WO 2007/017422 A3

(51) International Patent Classification:
G10K 11/168 (2006.01)

(21) International Application Number:
PCT/EP2006/064929

(22) International Filing Date: 2 August 2006 (02.08.2006)

(25) Filing Language: English

(26) Publication Language: English

(30) Priority Data:
RM2005 A 000429 5 August 2005 (05.08.2005) IT

(71) Applicant (for all designated States except US): **ADLER PLASTIC S.P.A.** [IT/IT]; Via Mozzoni, Loc. San Domenico, I-80044 Ottaviano (IT).

(72) Inventor; and

(75) Inventor/Applicant (for US only): **SCUDIERI, Paolo** [IT/IT]; Piazza Duca D'Aosta 33, I-80044 Ottaviano (IT).

(74) Agents: **CINQUANTINI, Bruno** et al.; Corso Di Porta Vittoria 9, I-20122 Milan (IT).

(81) Designated States (unless otherwise indicated, for every kind of national protection available): AE, AG, AL, AM, AT, AU, AZ, BA, BB, BG, BR, BW, BY, BZ, CA, CH, CN,

CO, CR, CU, CZ, DE, DK, DM, DZ, EC, EE, EG, ES, FI, GB, GD, GE, GH, GM, HN, HR, HU, ID, IL, IN, IS, JP, KE, KG, KM, KN, KP, KR, KZ, LA, LC, LK, LR, LS, LT, LU, LV, LY, MA, MD, MG, MK, MN, MW, MX, MZ, NA, NG, NI, NO, NZ, OM, PG, PH, PL, PT, RO, RS, RU, SC, SD, SE, SG, SK, SL, SM, SY, TJ, TM, TN, TR, TT, TZ, UA, UG, US, UZ, VC, VN, ZA, ZM, ZW.

(84) Designated States (unless otherwise indicated, for every kind of regional protection available): ARIPO (BW, GH, GM, KE, LS, MW, MZ, NA, SD, SL, SZ, TZ, UG, ZM, ZW), Eurasian (AM, AZ, BY, KG, KZ, MD, RU, TJ, TM), European (AT, BE, BG, CH, CY, CZ, DE, DK, EE, ES, FI, FR, GB, GR, HU, IE, IS, IT, LT, LU, LV, MC, NL, PL, PT, RO, SE, SI, SK, TR), OAPI (BF, BJ, CF, CG, CI, CM, GA, GN, GQ, GW, ML, MR, NE, SN, TD, TG).

Declaration under Rule 4.17:

— of inventorship (Rule 4.17(iv))

Published:

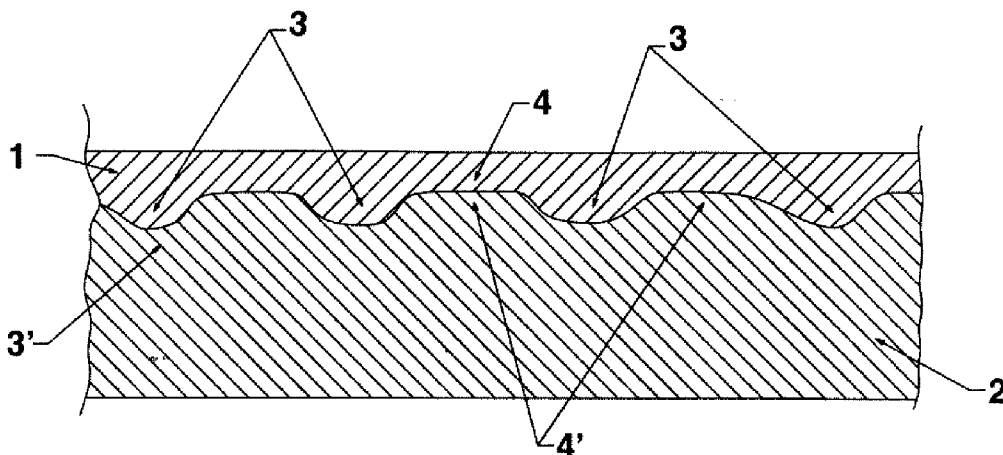
— with international search report

(88) Date of publication of the international search report:

26 April 2007

For two-letter codes and other abbreviations, refer to the "Guidance Notes on Codes and Abbreviations" appearing at the beginning of each regular issue of the PCT Gazette.

(54) Title: SOUND INSULATION PANEL



(57) Abstract: A sound-insulating and sound-proofing insulation panel, formed by two different layers: a first layer made of non-expanded compact polyurethane material, named "mass", and a second layer made of expanded polyurethane material, named "foam". Specifically, compared with an equal weight of other similar products, the panel of the invention diminishes noise considerably better or, performance being equal, the panel exhibits a lighter weight. This is allowed by means of a differential distribution of the thickness and/or density of the "mass" of the panel in particular areas, thus determining saving in terms of materials. The process relative to the manufacturing of such a panel also results being particularly advantageous.



WO 2007/017422 A3

INTERNATIONAL SEARCH REPORT

International application No
PCT/EP2006/064929

A. CLASSIFICATION OF SUBJECT MATTER INV. G10K11/168		
According to International Patent Classification (IPC) or to both national classification and IPC		
B. FIELDS SEARCHED		
Minimum documentation searched (classification system followed by classification symbols) G10K		
Documentation searched other than minimum documentation to the extent that such documents are included in the fields searched		
Electronic data base consulted during the international search (name of data base and, where practical, search terms used) EPO-Internal, WPI Data		
C. DOCUMENTS CONSIDERED TO BE RELEVANT		
Category*	Citation of document, with indication, where appropriate, of the relevant passages	Relevant to claim No.
X A	US 2004/150128 A1 (HOUYOUX JEAN-MARIE [FR] ET AL) 5 August 2004 (2004-08-05) paragraphs [0002], [0010], [0018] - [0024]	1,4,6, 9-18 2
X A	DE 199 09 046 A1 (FAIST M GMBH & CO KG [DE] FAIST AUTOMOTIVE GMBH & CO KG [DE]) 7 September 2000 (2000-09-07) column 2, line 6 - line 52; figure 1 column 3, line 21 - line 64; figures 3,4	1-5,12, 14 6,15
A	DE 196 07 895 A1 (GOESELE KARL [DE]) 11 September 1997 (1997-09-11) column 3, line 66 - column 4, line 30; figure 1	6
A	WO 03/027479 A (HONEYWELL INT INC [US]) 3 April 2003 (2003-04-03) page 15, line 1 - line 8	9
<input type="checkbox"/> Further documents are listed in the continuation of Box C.		
<input checked="" type="checkbox"/> See patent family annex.		
* Special categories of cited documents :		
A document defining the general state of the art which is not considered to be of particular relevance *E* earlier document but published on or after the international filing date *L* document which may throw doubts on priority claim(s) or which is cited to establish the publication date of another citation or other special reason (as specified) *O* document referring to an oral disclosure, use, exhibition or other means *P* document published prior to the international filing date but later than the priority date claimed		
T later document published after the international filing date or priority date and not in conflict with the application but cited to understand the principle or theory underlying the invention *X* document of particular relevance; the claimed invention cannot be considered novel or cannot be considered to involve an inventive step when the document is taken alone *Y* document of particular relevance; the claimed invention cannot be considered to involve an inventive step when the document is combined with one or more other such documents, such combination being obvious to a person skilled in the art. *&* document member of the same patent family		
Date of the actual completion of the international search 15 January 2007		Date of mailing of the international search report 29/01/2007
Name and mailing address of the ISA/ European Patent Office, P.B. 5818 Patentlaan 2 NL - 2280 HV Rijswijk Tel. (+31-70) 340-2040, Tx. 31 651 epo nl, Fax: (+31-70) 340-3016		Authorized officer Anderson, Alexander

INTERNATIONAL SEARCH REPORT

Information on patent family members

International application No

PCT/EP2006/064929

Patent document cited in search report	Publication date	Publication date	Patent family member(s)	Publication date	
US 2004150128	A1	05-08-2004	EP	1434196 A1	30-06-2004
			FR	2848904 A1	25-06-2004
DE 19909046	A1	07-09-2000	WO	0052681 A1	08-09-2000
			EP	1155403 A1	21-11-2001
DE 19607895	A1	11-09-1997	NONE		
WO 03027479	A	03-04-2003	CA	2460531 A1	03-04-2003
			CN	1556895 A	22-12-2004
			EP	1430215 A1	23-06-2004
			JP	2005504907 T	17-02-2005
			MX	PA04002469 A	31-05-2004
			US	2003062012 A1	03-04-2003