

(19) World Intellectual Property
Organization
International Bureau



(43) International Publication Date
2 December 2004 (02.12.2004)

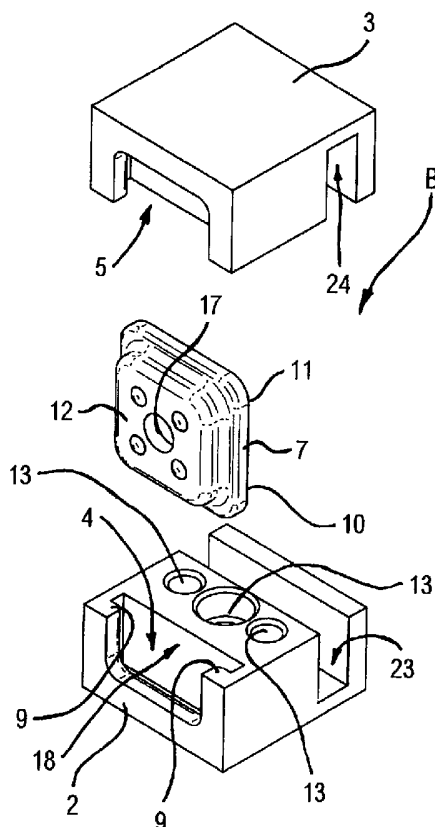
PCT

(10) International Publication Number
WO 2004/103120 A3

- (51) International Patent Classification⁷: A47B 96/06, (72) Inventor; and
A47F 5/08, F16B 2/06 (75) Inventor/Applicant (for US only): BONIN, Franco
[IT/IT]; Via Emilio Cecchin, 16/3, I-36072 Chiampo (IT).
- (21) International Application Number: PCT/IB2004/001678 (74) Agent: LUPPI, Luigi; Luppi & Associati S.R.L., Foro
Buonaparte, 68, I-20121 Milano (IT).
- (22) International Filing Date: 24 May 2004 (24.05.2004) (81) Designated States (unless otherwise indicated, for every
kind of national protection available): AE, AG, AL, AM,
AT, AU, AZ, BA, BB, BG, BR, BW, BY, BZ, CA, CH, CN,
CO, CR, CU, CZ, DE, DK, DM, DZ, EC, EE, EG, ES, FI,
GB, GD, GE, GH, GM, HR, HU, ID, IL, IN, IS, JP, KE,
KG, KP, KR, KZ, LC, LK, LR, LS, LT, LU, LV, MA, MD,
MG, MK, MN, MW, MX, MZ, NA, NI, NO, NZ, OM, PG,
PH, PL, PT, RO, RU, SC, SD, SE, SG, SK, SL, SY, TJ, TM,
TN, TR, TT, TZ, UA, UG, US, UZ, VC, VN, YU, ZA, ZM,
ZW.
- (25) Filing Language: Italian
- (26) Publication Language: English
- (30) Priority Data:
MO2003A000152 23 May 2003 (23.05.2003) IT
MO2003A000153 23 May 2003 (23.05.2003) IT
- (71) Applicant (for all designated States except US): VIBO S.P.A. [IT/IT]; Via Madonna dei Prati, 21, I-36071 Arzignano (IT). (84) Designated States (unless otherwise indicated, for every
kind of regional protection available): ARIPO (BW, GH,
GM, KE, LS, MW, MZ, NA, SD, SL, SZ, TZ, UG, ZM,

[Continued on next page]

(54) Title: APPARATUSES FOR SUPPORTING OBJECTS



(57) Abstract: Apparatus for fixing objects to support means comprises first jaw means (2) and second jaw means (3), said first jaw means (2) and said second jaw means (3) delimiting cavity means (6) extending substantially along a plane parallel to a direction according to which said first jaw means (2) and said second jaw means (3) are brought one near the other to be tightened against each other; apparatus for hanging objects comprises container means (102) suitable for receiving said objects and support means (103) suitable for supporting said container means (102), said container means (102) comprising groove means (106) arranged to receive said support means (103).

WO 2004/103120 A3



ZW), Eurasian (AM, AZ, BY, KG, KZ, MD, RU, TJ, TM), European (AT, BE, BG, CH, CY, CZ, DE, DK, EE, ES, FI, FR, GB, GR, HU, IE, IT, LU, MC, NL, PL, PT, RO, SE, SI, SK, TR), OAPI (BF, BJ, CF, CG, CI, CM, GA, GN, GQ, GW, ML, MR, NE, SN, TD, TG).

BG, CH, CY, CZ, DE, DK, EE, ES, FI, FR, GB, GR, HU, IE, IT, LU, MC, NL, PL, PT, RO, SE, SI, SK, TR), OAPI patent (BF, BJ, CF, CG, CI, CM, GA, GN, GQ, GW, ML, MR, NE, SN, TD, TG)

Declarations under Rule 4.17:

- as to applicant's entitlement to apply for and be granted a patent (Rule 4.17(ii)) for the following designations AE, AG, AL, AM, AT, AU, AZ, BA, BB, BG, BR, BW, BY, BZ, CA, CH, CN, CO, CR, CU, CZ, DE, DK, DM, DZ, EC, EE, EG, ES, FI, GB, GD, GE, GH, GM, HR, HU, ID, IL, IN, IS, JP, KE, KG, KP, KR, KZ, LC, LK, LR, LS, LT, LU, LV, MA, MD, MG, MK, MN, MW, MX, MZ, NA, NI, NO, NZ, OM, PG, PH, PL, PT, RO, RU, SC, SD, SE, SG, SK, SL, SY, TJ, TM, TN, TR, TT, TZ, UA, UG, UZ, VC, VN, YU, ZA, ZM, ZW, ARIPO patent (BW, GH, GM, KE, LS, MW, MZ, NA, SD, SL, SZ, TZ, UG, ZM, ZW), Eurasian patent (AM, AZ, BY, KG, KZ, MD, RU, TJ, TM),

- as to the applicant's entitlement to claim the priority of the earlier application (Rule 4.17(iii)) for the following designation US
- of inventorship (Rule 4.17(iv)) for US only

Published:

- with international search report

(88) Date of publication of the international search report:

12 May 2005

For two-letter codes and other abbreviations, refer to the "Guidance Notes on Codes and Abbreviations" appearing at the beginning of each regular issue of the PCT Gazette.

INTERNATIONAL SEARCH REPORT

International Application No
PCT/IB2004/001678

A. CLASSIFICATION OF SUBJECT MATTER IPC 7 A47B96/06 A47F5/08 F16B2/06		
According to International Patent Classification (IPC) or to both national classification and IPC		
B. FIELDS SEARCHED Minimum documentation searched (classification system followed by classification symbols) IPC 7 A47B A47F F16B		
Documentation searched other than minimum documentation to the extent that such documents are included in the fields searched		
Electronic data base consulted during the international search (name of data base and, where practical, search terms used) EPO-Internal, WPI Data		
C. DOCUMENTS CONSIDERED TO BE RELEVANT		
Category °	Citation of document, with indication, where appropriate, of the relevant passages	Relevant to claim No.
X	FR 2 470 889 A (SOCIETE SOCORA) 12 June 1981 (1981-06-12) the whole document -----	1-16,23
X	FR 2 253 455 A (BERTHOUD S.A.) 4 July 1975 (1975-07-04) the whole document -----	1-8, 12-17, 20,21,23
X	US 3 843 083 A (ANGIBAUD RENE M) 22 October 1974 (1974-10-22) the whole document -----	1-8, 12-17,23
X	DE 19 93 277 U (PHILIPP ROTH GMBH) 5 September 1968 (1968-09-05) the whole document -----	1-8, 12-17,23
-/--		
<input checked="" type="checkbox"/> Further documents are listed in the continuation of box C.		
<input checked="" type="checkbox"/> Patent family members are listed in annex.		
° Special categories of cited documents :		
"A" document defining the general state of the art which is not considered to be of particular relevance	"T" later document published after the international filing date or priority date and not in conflict with the application but cited to understand the principle or theory underlying the invention	
"E" earlier document but published on or after the international filing date	"X" document of particular relevance; the claimed invention cannot be considered novel or cannot be considered to involve an inventive step when the document is taken alone	
"L" document which may throw doubts on priority claim(s) or which is cited to establish the publication date of another citation or other special reason (as specified)	"Y" document of particular relevance; the claimed invention cannot be considered to involve an inventive step when the document is combined with one or more other such documents, such combination being obvious to a person skilled in the art.	
"O" document referring to an oral disclosure, use, exhibition or other means	"&" document member of the same patent family	
"P" document published prior to the international filing date but later than the priority date claimed		
Date of the actual completion of the international search 2 September 2004	Date of mailing of the international search report 08. 12. 2004	
Name and mailing address of the ISA European Patent Office, P.B. 5818 Patentlaan 2 NL - 2280 HV Rijswijk Tel. (+31-70) 340-2040, Tx. 31 651 epo nl, Fax: (+31-70) 340-3016	Authorized officer Reichhardt, O	

INTERNATIONAL SEARCH REPORT

International Application No
PCT/IB2004/001678

C.(Continuation) DOCUMENTS CONSIDERED TO BE RELEVANT

Category °	Citation of document, with indication, where appropriate, of the relevant passages	Relevant to claim No.
X	DE 199 52 403 A (WEMEFA HORST CHRISTOPEIT GMBH) 3 May 2001 (2001-05-03) the whole document -----	1-9, 12-14,17

INTERNATIONAL SEARCH REPORT

International application No.
PCT/IB2004/001678

Box II Observations where certain claims were found unsearchable (Continuation of item 2 of first sheet)

This International Search Report has not been established in respect of certain claims under Article 17(2)(a) for the following reasons:

1. Claims Nos.:
because they relate to subject matter not required to be searched by this Authority, namely:

2. Claims Nos.:
because they relate to parts of the International Application that do not comply with the prescribed requirements to such an extent that no meaningful International Search can be carried out, specifically:

3. Claims Nos.:
because they are dependent claims and are not drafted in accordance with the second and third sentences of Rule 6.4(a).

Box III Observations where unity of invention is lacking (Continuation of item 3 of first sheet)

This International Searching Authority found multiple inventions in this international application, as follows:

see additional sheet

1. As all required additional search fees were timely paid by the applicant, this International Search Report covers all searchable claims.
2. As all searchable claims could be searched without effort justifying an additional fee, this Authority did not invite payment of any additional fee.
3. As only some of the required additional search fees were timely paid by the applicant, this International Search Report covers only those claims for which fees were paid, specifically claims Nos.:
4. No required additional search fees were timely paid by the applicant. Consequently, this International Search Report is restricted to the invention first mentioned in the claims; it is covered by claims Nos.:

1-25

Remark on Protest

- The additional search fees were accompanied by the applicant's protest.
- No protest accompanied the payment of additional search fees.

FURTHER INFORMATION CONTINUED FROM PCT/ISA/ 210

This International Searching Authority found multiple (groups of) inventions in this international application, as follows:

1. claims: 1-25

Apparatus for fixing objects to support means, comprising first and second jaw means

2. claims: 26-45

Apparatus for hanging objects, comprising container means with groove means

INTERNATIONAL SEARCH REPORT

Information on patent family members

International Application No PCT/IB2004/001678

Patent document cited in search report		Publication date		Patent family member(s)	Publication date
FR 2470889	A	12-06-1981	FR	2470889 A1	12-06-1981
FR 2253455	A	04-07-1975	FR	2253455 A1	04-07-1975
US 3843083	A	22-10-1974	FR	2205957 A5	31-05-1974
			FR	2436932 A1	18-04-1980
			IT	1004600 B	20-07-1976
			NL	7906887 A	21-03-1980
			BE	878826 A1	17-03-1980
			DE	2937729 A1	27-03-1980
			ES	484243 A1	16-05-1980
			GB	2031510 A	23-04-1980
			IT	1123584 B	30-04-1986
			JP	55086406 A	30-06-1980
			US	4307864 A	29-12-1981
DE 1993277	U	05-09-1968	NONE		
DE 19952403	A	03-05-2001	DE	19952403 A1	03-05-2001