



(51) International Patent Classification:

G01B 17/00 (2006.01) H02S 40/22 (2014.01)
F21S 11/00 (2006.01) G02B 6/00 (2006.01)
F24J 2/42 (2006.01)

(21) International Application Number:

PCT/CA2017/050961

(22) International Filing Date:

14 August 2017 (14.08.2017)

(25) Filing Language:

English

(26) Publication Language:

English

(30) Priority Data:

62/374,112 12 August 2016 (12.08.2016) US

(71) Applicant: **BIGZ TECH INC.** [CA/CA]; 9300 rte Transcanadienne, Saint-Laurent, Québec H4S 1K5 (CA).

(72) Inventor: **AHDOOT, Eliot**; 4430 rue Rene-Emard, Dollard-des-Ormeaux, Québec H9A 3G7 (CA).

(74) Agent: **BENOÎT & CÔTÉ INC.**; 560 Cremazie Boulevard East, Suite 300, Montréal, Québec H2P 1E8 (CA).

(81) Designated States (unless otherwise indicated, for every kind of national protection available): AE, AG, AL, AM, AO, AT, AU, AZ, BA, BB, BG, BH, BN, BR, BW, BY, BZ, CA, CH, CL, CN, CO, CR, CU, CZ, DE, DJ, DK, DM, DO, DZ, EC, EE, EG, ES, FI, GB, GD, GE, GH, GM, GT, HN, HR, HU, ID, IL, IN, IR, IS, JO, JP, KE, KG, KH, KN, KP, KR, KW, KZ, LA, LC, LK, LR, LS, LU, LY, MA, MD, ME, MG, MK, MN, MW, MX, MY, MZ, NA, NG, NI, NO, NZ, OM, PA, PE, PG, PH, PL, PT, QA, RO, RS, RU, RW, SA, SC, SD, SE, SG, SK, SL, SM, ST, SV, SY, TH, TJ, TM, TN, TR, TT, TZ, UA, UG, US, UZ, VC, VN, ZA, ZM, ZW.

(84) Designated States (unless otherwise indicated, for every kind of regional protection available): ARIPO (BW, GH, GM, KE, LR, LS, MW, MZ, NA, RW, SD, SL, ST, SZ, TZ, UG, ZM, ZW), Eurasian (AM, AZ, BY, KG, KZ, RU, TJ, TM), European (AL, AT, BE, BG, CH, CY, CZ, DE, DK, EE, ES, FI, FR, GB, GR, HR, HU, IE, IS, IT, LT, LU, LV,

(54) Title: LIGHT COLLECTION DEVICE

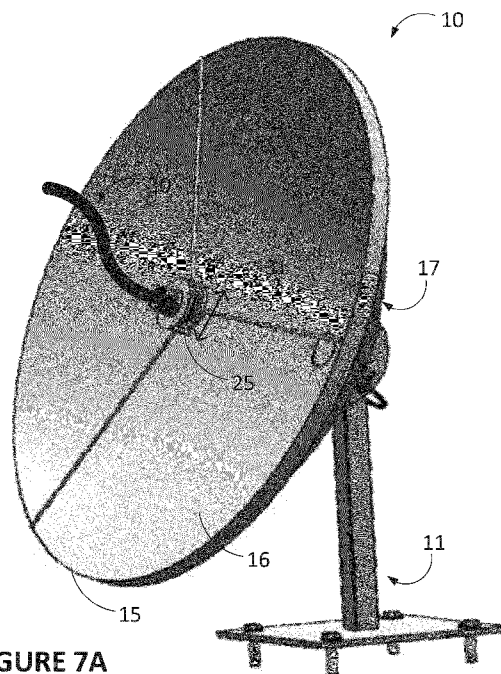


FIGURE 7A

(57) Abstract: There is provided a light collecting device comprising a concave portion for receiving incoming light. The concave portion comprises a reflective inner surface for directing at least partly the incoming light toward a focal spot, which is defined by a geometry of the concave portion. A light guide holder is held in place at the focal spot and holds a light-receiving end of a light guide, inside its annular shape. It holds the light-receiving end toward the concave portion to substantially capture the incoming light directed toward the focal spot. The concave portion can be a dish or a lamp reflector. The light guide holder can be held in place by arms having pads that rest on or hold the concave portion.



MC, MK, MT, NL, NO, PL, PT, RO, RS, SE, SI, SK, SM,
TR), OAPI (BF, BJ, CF, CG, CI, CM, GA, GN, GQ, GW,
KM, ML, MR, NE, SN, TD, TG).

Published:

— *with international search report (Art. 21(3))*

LIGHT COLLECTION DEVICE

BACKGROUND

(a) Field

[0001] The subject matter disclosed generally relates to light collectors. More specifically, it relates to light collectors for the redirection of sunlight.

(b) Related Prior Art

[0002] Sunlight is an abundant source of energy. The ability to harvest sunlight, either for direct use of light or for conversion into another form of energy, is useful many purposes.

[0003] The building industry is making attempts to embrace solar energy through a variety of means. Direct use of sunlight at appropriate moments of the day is permitted by architectural changes to buildings which allow sunlight to fill the interior spaces of buildings to replace electrical lighting, while preventing too much sunlight to enter the building when the inside temperature is too high, for example. Practically, it involves building very large and high windows and adding architectural shades above the windows to block midday sunlight.

[0004] Rooftops of buildings are also evolving over time, as buildings get adapted for the installation of solar panels on top of them. These solar panels can be photovoltaic cells that convert sunlight into electric power, or solar thermal panels that collect heat from the radiation for heating water, for example.

[0005] Retrofitting existing buildings in order to meet such needs can be difficult. Changing the location of windows on a building would be very costly, while changing the orientation of a building to modify its exposure to sunlight is impossible. Modifying architectural elements of the building to integrate potentially advantageous solutions that let more sunlight in while blocking midday or afternoon sunlight may not be feasible or may be impractical from an architectural point of view.

[0006] Furthermore, the addition of solar panels on the rooftop requires the roof to have access for maintenance staff and available space for the solar panels, a requirement that is worsened by the fact solar panels are usually inclined (i.e., they require a greater surface area) and require space in-between for the circulation of maintenance staff. Moreover, the roof must be able to withstand the significant weight of the solar panels.

SUMMARY

[0007] According to an aspect of the invention, there is provided a light collecting device comprising:

- a concave portion for receiving incoming light and comprising a reflective inner surface for directing at least partly the incoming light toward a focal spot defined by a geometry of the concave portion;
- a light capturing element, located at the focal spot, and having a lightbulb shape to substantially capture the incoming light directed toward the focal spot and to reflect the incoming light within the light capturing element toward an exit thereof; and
- a light guide comprising an end provided at the exit of the light capturing element for guiding captured light outside of the light collecting device.

[0008] According to an embodiment, the light capturing element substantially has a lightbulb shape.

[0009] According to an embodiment, the light capturing element is transparent, wherein a refraction index of the light capturing element is in a range ensuring substantial total inner reflection in order to reflect the incoming light within the light capturing element toward the exit.

[0010] According to an embodiment, there is further provided a lens arrangement in front of the end of the light guide.

[0011] According to another aspect of the invention, there is provided a light collecting device comprising:

- a concave portion for receiving incoming light and comprising a reflective inner surface for directing at least partly the incoming light toward a focal spot defined by a geometry of the concave portion; and

- a light guide holder located at the focal spot for receiving a light-receiving end of a light guide, the light guide holder holding the light-receiving end toward the concave portion to substantially capture the incoming light directed toward the focal spot.

[0012] According to an embodiment, the concave portion comprises a dish.

[0013] According to an embodiment, the dish comprises a paraboloid.

[0014] According to an embodiment, the dish is held by brackets attached to an outer surface of the dish.

[0015] According to an embodiment, the brackets are held to a support by a configuration bracket, the configuration bracket being lockable in more than one orientation.

[0016] According to an embodiment, the light guide holder is held by arms which have pads to rest on or attach to the dish.

[0017] According to an embodiment, the reflective inner surface comprises a polished surface.

[0018] According to an embodiment, there is further provided the light guide.

[0019] According to an embodiment, there is further provided a lens arrangement in front of the light-receiving end of the light guide.

[0020] According to another aspect of the invention, there is provided a light collecting device comprising:

- a concave portion for receiving incoming light and comprising a reflective inner surface for directing at least partly the incoming light toward a focal spot defined by a geometry of the concave portion, the concave portion having an exit;
- a light reflecting element, located at the focal spot, to substantially reflect toward the exit the incoming light that is directed toward the focal spot; and
- a light guide comprising an end provided at the exit for guiding captured light outside of the light collecting device through the light guide.

[0021] According to an embodiment, the concave portion comprises a dish.

[0022] According to an embodiment, the dish comprises a paraboloid.

[0023] According to an embodiment, the dish is held by brackets holding an outer surface of the dish.

[0024] According to an embodiment, the brackets are held to a support by a configuration bracket, the configuration bracket being lockable in more than one orientation.

[0025] According to an embodiment, the reflective inner surface comprises a polished surface.

[0026] According to an embodiment, there is further provided a lens arrangement in front of the end of the light guide.

[0027] As will be realized, the subject matter disclosed and claimed is capable of modifications in various respects, all without departing from the scope of the claims. Accordingly, the drawings and the description are to be regarded as illustrative in nature, and not as restrictive and the full scope of the subject matter is set forth in the claims.

BRIEF DESCRIPTION OF THE DRAWINGS

[0028] Further features and advantages of the present disclosure will become apparent from the following detailed description, taken in combination with the appended drawings, in which:

- [0029]** Fig. 1 is a picture illustrating a sunlight harnessing system, according to the prior art;
- [0030]** Figs. 2A-2B are a perspective view and a cross-section illustrating a sunlight harnessing system with a light guide, according to the prior art;
- [0031]** Fig. 3 is a picture illustrating a perspective view of a light collector, according to an embodiment;
- [0032]** Fig. 4 is a cross-section illustrating a light collector with incoming light rays being reflected to a focal point, according to an embodiment;
- [0033]** Fig. 5 is a side view illustrating a light capturing element with incoming light rays being reflected therein and captured, according to an embodiment;
- [0034]** Fig. 6 is a side view illustrating a light collector with a light capturing element installed at a focal spot therein and a light guide extending therefrom, according to an embodiment; and
- [0035]** Fig. 7A is a perspective view illustrating of a light collector comprising a dish according to an embodiment;
- [0036]** Fig. 7B is a perspective view illustrating of a light collector comprising a dish according to another embodiment;
- [0037]** Fig. 8A is a perspective view illustrating the dish and the light capturing element of the light collector of Figs. 7A-7B;
- [0038]** Fig. 8B is a perspective view illustrating the support of the light collector of Figs. 7A-7B;
- [0039]** Fig. 8C is a perspective view illustrating the brackets for the dish of the light collector of Figs. 7A-7B;
- [0040]** Fig. 8D is a top view illustrating the configuration brackets for the dish of the light collector of Figs. 7A-7B; and

[0041] Fig. 9 is a graph illustrating an optimal parabola and a real parabola of an off-the-shelf dish, according to an embodiment.

[0042] It will be noted that throughout the appended drawings, like features are identified by like reference numerals.

DETAILED DESCRIPTION

[0043] Referring to Figs. 1A-1B, there are shown prior art systems for harnessing solar energy.

[0044] Fig. 1 is a picture of a real-life system comprising solar panels on the rooftop of a building. On the picture, it is apparent that the real-life solar panels are bulky. The bulkiness is even worsened by the inclination of the solar panels, which is a common feature of solar panels installations in regions of middle to high latitude. A walkable surface for maintenance access is also shown in Fig. 1.

[0045] This configuration has been determined as requiring too much surface area on the rooftop, and requiring reinforcement of the rooftop structure. This is therefore not convenient, and retrofitting is hard and costly.

[0046] Figs. 2A-2B illustrate a prior art system, as in US 4,483,311, for collecting from the rooftop and transmit it into a building. Even though light is advantageously brought into the building, the equipment used for light collection is still bulky. The equipment occupies substantially significant surface area on the roof, while also weighting on the roof structure. Furthermore, it needs to be inclined and oriented toward the Sun for maximum light collection.

[0047] Referring to Fig. 3, there is shown an embodiment of a light collector **10**.

[0048] The light collector **10** is designed to facilitate the retrofitting into existing buildings, i.e., the materials required to build the light collector **10** and its dimensions do not cause the light collector **10** to have excessive weight and many components are off-the-shelf components that may have been designed for other

purposes but have been found to work well for the purpose contemplated herein. The light collector **10** can be fabricated in small-weight versions that can be installed on rooftops without alterations to the roof structure to improve the weight-supporting capacity. The light collector **10** does not need to be inclined in order to have a satisfying performance.

[0049] Furthermore, as will be realized below, the functionality of redirecting light rather than concentrating it allows for a greater versatility in the user of the light collector **10**. The light collector **10** can be used in combination with various technologies of solar panels (e.g., photovoltaic, thermal, etc.), or can be used to transmit the light elsewhere in the building for lighting purposes, without any conversion.

[0050] The light collector **10** of Fig. 3 comprises a concave portion **15**. The concave portion **15** has a bowl shape and defines an inner surface **16** and an outer surface **17**. The inner surface **16** needs to be reflective.

[0051] To provide a reflective inner surface **16**, a reflective coating, made of an optically-reflective material, can be provided on the inner surface **16**. Since the concave portion **15** is intended to substantially focus light, i.e., to bring light toward an approximate location, a substantially specular reflection is preferred over diffuse reflection. Preferably, the optically-reflective material should be selected to meet this requirement.

[0052] The term “optically-reflective” is intended to mean that relevant wavelength ranges are substantially reflected. Different wavelength ranges are expected to be reflected with different efficiencies (i.e., different percentages of reflection). The percentage that is not reflected is usually absorbed by the inner surface **16**; this situation is usually undesirable, and therefore higher percentages of reflection are most often desired.

[0053] In some circumstances, only certain / selected optical wavelengths are desired (for retransmission of sunlight for lighting purposes) while others are

undesirable (e.g., infrared that only dissipate into heat). These other undesirable wavelength ranges, such as infrared radiations, can be substantially cut off by providing a reflective coating that substantially reflects optical wavelengths but not infrared radiations. This configuration removes the infrared radiations from the radiations transmitted into the building, thereby preventing a major cause of heating in the building.

[0054] It is also worth noting that a light guide **30** (see Figs. 6, 7A and 7B) can be used for guiding the light collected by the light collector **10**. The light guide **30** transmits light radiation on a certain distance, usually through a material. This material has optical properties including a coefficient of absorption, which is a function of the wavelength. Some wavelengths travel better than others (i.e., some wavelengths have higher percentages of transmission than others) in the light guide's material. The reflective properties of the inner surface **16** should therefore match the transmission properties of the light guide **30** to make sure that desirable wavelengths are both reflected in a suitably high percentage by the inner surface **16** and transmitted in a suitably high percentage by the light guide **30**. If there are provided other optical parts (e.g., lenses, mirrors, couplers, multiplexers, etc.) with which light interacts, the same principle of consistency applies.

[0055] As mentioned above, the concave portion **15** is used to substantially focus light toward a given point or, more realistically, toward a spot. The concave portion **15** is concave because the concavity allows the focusing of incoming light. The concave portion **15** can have a paraboloid inner surface **16** (a paraboloid is the shape created by a rotating parabola), the optical properties of the paraboloid being known to those skilled in optical technologies. Most interestingly, light rays that are incoming in a line parallel with the axis of the paraboloid are focused to the focal point of the paraboloid. If light rays are not parallel to the axis, they end up being focused at other points which together define the focal plane of the paraboloid.

[0056] A light capturing element **20**, illustrated in Fig. 5, is provided within the concavity of the concave portion (or slightly outside thereof), at or closed to the focal point, as shown in Fig. 6. The light capturing element **20** occupies some volume in space (i.e., it is not a mere point) and therefore it occupies some space around the focal point. Preferably, the light capturing element **20** extends along some portion of the focal plane.

[0057] Since the light capturing element **20** occupies some space, the geometrical reflection properties of the concave portion **15** do not need to be perfect. For example, the shape of the inside of the concave portion **15** can differ from a paraboloid. For example, semi-spherical mirrors do not focus perfectly; the incoming light rays are focused toward a region herein named the focal spot f (also known in photography as a circle of confusion or blur spot, or in telecommunications as a focal cloud). If the concave portion **15** looks grossly like a paraboloid (even though there are irregularities, imperfections or other concave shapes), some sort of focal spot usually exists. The focal spot f is shown in Fig. 4. The location in space of this focal spot is identified and the light capturing element **20** is provided at this location. Alternatively, the concave portion **15** can be only grossly or vaguely in a paraboloid shape and still define a focal spot f that is more extended in space but still suitable from bringing light into the light capturing element **20**.

[0058] The light capturing element **20** needs to comprise a light transmitting surface, such as glass, in order to effectively capture incoming and focused light. A substantial ball shape is a suitable shape that occupies space around the focal spot and that can capture light.

[0059] According to an embodiment, the light capturing element **20** is the envelope of a light bulb (i.e., the glass forming the bulb), as shown in Figs. 5-6.

[0060] The light capturing element **20** needs a support **22** so it can stand and remain at the desired location (the focal spot), which is usually a floating point

above the exit (i.e., the bottom) of the concave portion **15**. Strings or thin rods can be provided at an upper edge of the concave portion for holding the light capturing element **20** in suspension above the exit of the concave portion **15**, at the focal spot.

[0061] In a preferred embodiment, the support **22** is a lightbulb socket, as shown in Figs. 5-6. It means that the light capturing element **20** is a lightbulb having both the glass bulb and its supporting socket. In comparison with a standard lightbulb, this embodiment has the filament removed.

[0062] In this embodiment, the support **22**, which is a lightbulb socket, can be screwed, mounted (e.g., using a bayonet mount), pinned, or otherwise held in place at the exit of the concave portion **15**. A recess can be provided at the exit of the concave portion **15** for mounting the support **22**. The length of the support **22** and/or of the light capturing element **20** should be adjusted or selected so that the light capturing element **20** is high enough to be located at the focal spot.

[0063] As shown in Fig. 5, the light capturing element **20** has a shape adapted for capturing or retaining incoming light rays. Light rays refract while entering the glass or other material forming the light capturing element **20**. They refract again inside the light capturing element **20** (which is shown as being hollow, either with a vacuum inside or air). If the index of refraction of the glass or other material forming the light capturing element **20** is in the right range, e.g., in the range of indexes of refraction of glass, most of the light rays inside the light capturing element **20** undergo total internal reflection instead of transmission and refraction outside the light capturing element **20**. If all interactions of the light rays inside the light capturing element **20** are total internal reflections, the light rays are captured inside the light capturing element **20**. Some coatings, fillings and other materials with different indices of refraction can be added in the light capturing element **20** to ensure that the total internal reflections are occurring as needed.

[0064] When a light ray reaches the exit (i.e., the bottom) of the light capturing element **20**, it can be collected by the light guide for transmission elsewhere. An example of a capture of a light ray is shown in Fig. 5.

[0065] By providing a light guide **30** such as an optical fiber that starts at the exit of the light capturing element **20**, captured light rays can enter the light guide **30** by one of its ends and travel therethrough to another location, such as a location within the building. A light guide **30** extending from the exit of the light capturing element **20** and being routed out from the light collector **10** is shown in Fig. 6.

[0066] Optionally, a lens or lens arrangement **31** is provided in front of the light-receiving end of the light guide **30**. The lens arrangement **31** therefore focuses the light from the light capturing element **20** toward the light-receiving end of the light guide **30**.

[0067] The resulting light collector **10** is therefore very compact. It does not weigh more than small objects being brought up temporarily on a rooftop and therefore, no structural solidifications are required to install the light collector **10** on a building's rooftop.

[0068] Furthermore, the light collector **10**, in an embodiment, can advantageously be built from existing objects that are widely available and rather inexpensive in comparison with usual components of sunlight harnessing technologies.

[0069] For example, there exist many types of lamps having a reflector with the same shape as the light collector **10** illustrated in Fig. 3. The reflectors also have a socket adapted for receiving a lightbulb. Therefore, the light collector **10** can be manufactured by providing a reflector of a lamp and a lightbulb. The lightbulb can be built without the filament and with an aperture provided at the exit of its metallic socket. An optical fiber can be inserted into the bottom aperture of the lightbulb and secured therein (with adhesive or mechanical fixation means), while extending from the lightbulb for light transmission.

[0070] Now referring to Figs. 7A-7B and Fig. 9, there is shown another embodiment of a light collector **10**. The embodiment shown in these figures shares many features with the embodiment described above. However, it differs in that the concave portion is not a lamp, but rather a dish. The dish is a large surface which is the revolution surface of a parabola, i.e., a paraboloid. Dishes do not provide the advantage of being off-the-shelf products such as lamp sockets. Their cost is thus higher, but this additional cost results in increased performance which makes this trade-off a sensible choice.

[0071] According to an embodiment, the dish has a diameter of 60 cm or 24 inches. The shape of the dish is preferably a paraboloid, i.e., a revolution surface of a parabola. The parabola may have a shape that depends on a variety of factors. For the contemplated purpose of collecting sunlight, a simulation may give an appropriate parabolic coefficient that gives high performance. For example, at a latitude of 45°, a simulation has shown that the parabola $y = x^2/20$, where both parameters are in inches, would provide a particularly advantageous paraboloid with respect to performance in light collection. This may of course be different from this value, as shown in Fig. 9. For example, off-the-shelf dishes can be found where the parabola would rather be expressed as $y = x^2/24$. Although suboptimal, this shape would still provide suitable performance.

[0072] According to an embodiment, the dish comprises a reflective coating applied onto the inner surface **16**. Although advantageous for reflection purposes, the reflective coating may be hard to install or to maintain. According to another embodiment, the dish is rather chemically polished, mechanically polished and anodized (thereby resulting in a polished surface). This series of steps, when done properly, results in a high reflectivity of about 85%.

[0073] The dish can be heavy and thus needs an appropriate stand. The support **11** is shown in Figs. 7A-7B and 8B. Advantageously, the support **11** is in steel or another material that is solid and that resists to rain and harsh weather.

[0074] According to an embodiment, the dish is supported on the support **11** by brackets, notably brackets **12** shown in Fig. 8C that fit with the outer surface **17** of the dish. Although soldering or fasteners can be contemplated as a means for fastening the dish to the brackets **12**, the application of epoxy is preferable to avoid deformations that can happen over time or when there are temperature changes. The brackets **12** hold the dish and are themselves supported together by configuration brackets **13**, shown in Figs. 8C-8D, to which they can be fastened, glued or preferably welded for solidity. The configuration brackets **13** extend behind and away from the dish and, according to an exemplary embodiment, are adjustable in orientation. For example, they are shown as having a main hole by which a permanent pin can be inserted and serve as a hinge, and a pair of secondary holes where a removable pin can be removably and selectably inserted such that the hole in which the pin is inserted dictates the angular orientation of the brackets **12** and thus the dish. Therefore, the orientation of the dish can be easily adjusted, for example at season changes in which the pin is locked in a different position. The system required for such a change of orientation is easy to manufacture and does not incur substantial cost additions to the design.

[0075] According to an embodiment, the light guide **30** is an optical fiber. The optical fiber is preferably a multimode optical fiber having a large core in order to accept a substantially large range of incident angles of the incoming light rays onto the end surface of the optical fiber provided at the focal spot. An exemplary embodiment would comprise an optical fiber having a core diameter in the range of 10^{-2} m, for example 12.4 mm, which would be expected to provide a large range of acceptance, i.e., a large range of angles of incoming light rays onto the exposed end of the light guide that would be effectively guided, such as 80° . Various types of optical may be acceptable, such as a step-index fiber. Cables made up of a bundle of optical fibers would also be a possible implementation for the light guide. The larger the light guide **30**, the larger the light intensity of incident light that is effectively guided through the light guide **30**, thereby improving performance.

However, a large light guide is normally less flexible and thus harder to manipulate in the context of an easy-to-install and easy-to-maintain light collector. A light guide that would be too large would also affect the amount of the incoming sunlight, preventing it to reach the dish.

[0076] According to an embodiment shown in Fig. 7B, there is provided a light-reflecting element **24** at the focal spot. This light-reflecting element **24** would be located at the focal spot and have a reflecting surface oriented toward the concave portion **15**. In that case, the center of the dish would be pierced, e.g., the hole **18** at the exit at the center of the concave portion **15**, to provide the light-receiving end of the light guide **30**, as described above in reference with the embodiment shown in Figs. 3-6.

[0077] This embodiment is advantageous in that the light guide **30** does not obstruct incoming sunlight. However, the light-reflecting element **24** at the focal spot may not redirect correctly the light reflected thereon toward the light-receiving end of the light guide **30**, since the real-life focal spot is not a point. Since the focal point is in fact a focal spot, the light-reflecting element **24** may reflect light into a second focal spot that is expected to be at the light-receiving end of the light guide **30**, but that is in fact an even more diffuse focal spot. If this problem arises because of the dish shape, it would be preferable to avoid the light-reflecting element **24**.

[0078] There can thus be provided another embodiment as shown in Figs. 7A and 8A. There is provided a light guide holder **25** at the focal spot. The light guide holder **25** can have an annular shape or any other shape suitable to hold the light guide **30**. Light reflected by the inner surface **16** thus enters the light guide **30** directly, without any other secondary optics. This helps avoiding the problem of a focal spot becoming more diffuse at each reflection. The light guide holder **25** needs to be maintained at the focal spot. The holder arms **26** can be used for this purpose. The holder arms **26** are held by pads **27** that can urge onto the dish from the inside or more preferably hold the outside edge of the dish.

[0079] This embodiment has the light guide **30** partly obstruct the incoming sunlight. However, direct light entry into the light guide **30** at the first focal spot is advantageous for light collection efficiency.

[0080] It should be noted that the use of a light-reflecting element **24** at the focal spot or a light guide holder **25** would also apply to the embodiment shown in Figs. 3-6 and not only to a dish. The use of arms **26** and pads **27** can also apply to the light-reflecting element **24**.

[0081] The embodiment of the light collector **10** shown in Figs. 7A-7B also illustrate that, optionally, a lens or lens arrangement **31** is provided in front of the light-receiving end of the light guide **30**. The lens arrangement **31** therefore focuses the light reflected either from the concave portion **15** or the light-reflecting element **24** toward the light-receiving end of the light guide **30**.

[0082] The light collector **10** thus manufactured, according to any of the embodiments presented above, can be mounted on a support **11** for installation at a location where there is light, such as a rooftop. The light guide **30** extends into the space under the roof (e.g., in the attic) and can be used for guiding light elsewhere. A coupler (not shown) may be used to connect another light guide for further guiding.

[0083] The guided light can be used for lighting (general lighting, task lighting, etc.), heating, or conversion to electricity by a photovoltaic cell. The lighting, heating and conversion to electricity can be performed anywhere permitted by the length of the light guide, usually inside the building.

[0084] The embodiments of a light collector described above are thus easy and cheap to build and maintain and can be built fast and in great number to supply lighting for buildings. The use of off-the-shelf components shortens the life cycle of product development and, notably, can advantageously be used in retrofitting.

[0085] While preferred embodiments have been described above and illustrated in the accompanying drawings, it will be evident to those skilled in the

art that modifications may be made without departing from this disclosure. Such modifications are considered as possible variants comprised in the scope of the disclosure.

CLAIMS:

1. A light collecting device comprising:
 - a concave portion for receiving incoming light and comprising a reflective inner surface for directing at least partly the incoming light toward a focal spot defined by a geometry of the concave portion;
 - a light capturing element, located at the focal spot, and having a lightbulb shape to substantially capture the incoming light directed toward the focal spot and to reflect the incoming light within the light capturing element toward an exit thereof; and
 - a light guide comprising an end provided at the exit of the light capturing element for guiding captured light outside of the light collecting device.

2. The light collecting device of claim 1, wherein the light capturing element substantially has a lightbulb shape.

3. The light collecting device of claim 2, wherein the light capturing element is transparent, wherein a refraction index of the light capturing element is in a range ensuring substantial total inner reflection in order to reflect the incoming light within the light capturing element toward the exit.

4. The light collecting device of claim 1, further comprising a lens arrangement in front of the end of the light guide.

5. A light collecting device comprising:

- a concave portion for receiving incoming light and comprising a reflective inner surface for directing at least partly the incoming light toward a focal spot defined by a geometry of the concave portion; and
- a light guide holder located at the focal spot for receiving a light-receiving end of a light guide, the light guide holder holding the light-receiving end toward the concave portion to substantially capture the incoming light directed toward the focal spot.

6. The light collecting device of claim 5, wherein the concave portion comprises a dish.

7. The light collecting device of claim 6, wherein the dish comprises a paraboloid.

8. The light collecting device of claim 6, wherein the dish is held by brackets attached to an outer surface of the dish.

9. The light collecting device of claim 8, wherein the brackets are held to a support by a configuration bracket, the configuration bracket being lockable in more than one orientation.

10. The light collecting device of claim 6, wherein the light guide holder is held by arms which have pads to rest on or attach to the dish.

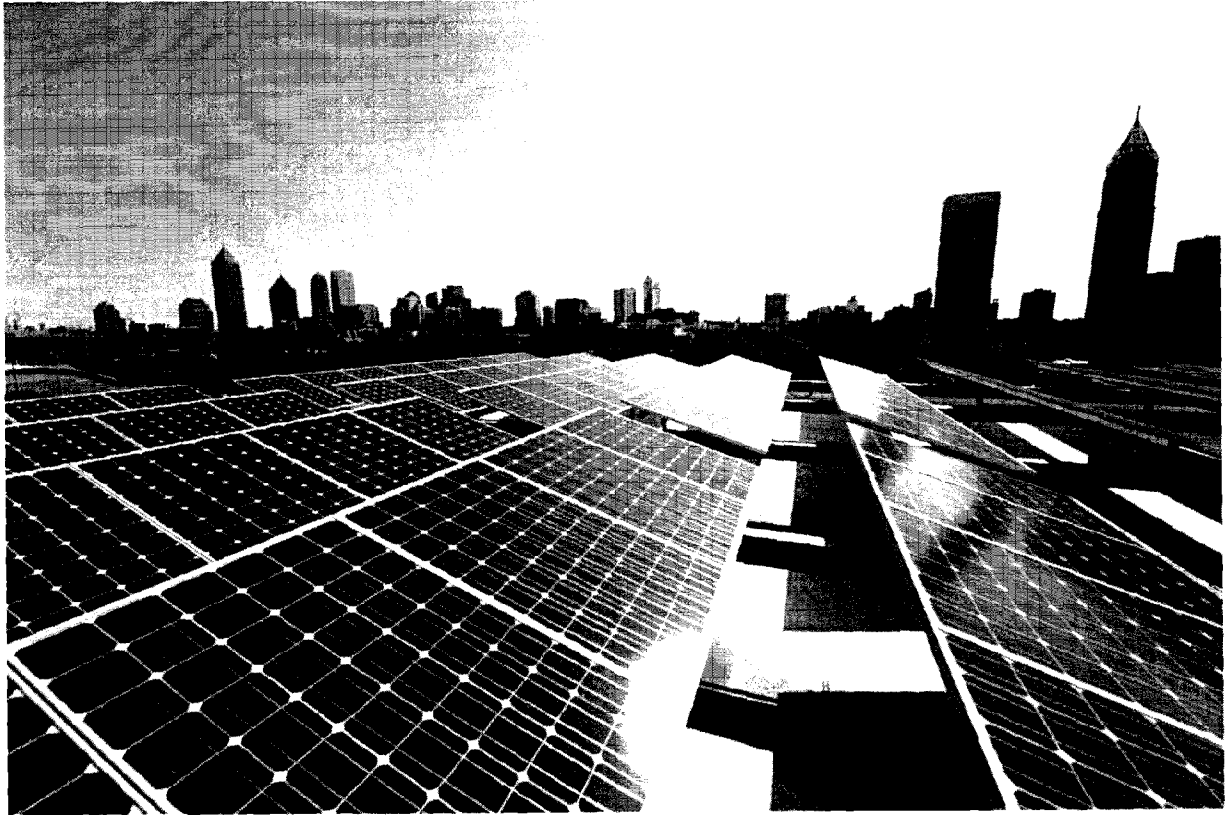
11. The light collecting device of claim 5, wherein the reflective inner surface comprises a polished surface.

12. The light collecting device of claim 5, further comprising the light guide.
13. The light collecting device of claim 5, further comprising a lens arrangement in front of the light-receiving end of the light guide.
14. A light collecting device comprising:
 - a concave portion for receiving incoming light and comprising a reflective inner surface for directing at least partly the incoming light toward a focal spot defined by a geometry of the concave portion, the concave portion having an exit;
 - a light reflecting element, located at the focal spot, to substantially reflect toward the exit the incoming light that is directed toward the focal spot; and
 - a light guide comprising an end provided at the exit for guiding captured light outside of the light collecting device through the light guide.
15. The light collecting device of claim 14, wherein the concave portion comprises a dish.
16. The light collecting device of claim 15, wherein the dish comprises a paraboloid.
17. The light collecting device of claim 15, wherein the dish is held by brackets holding an outer surface of the dish.

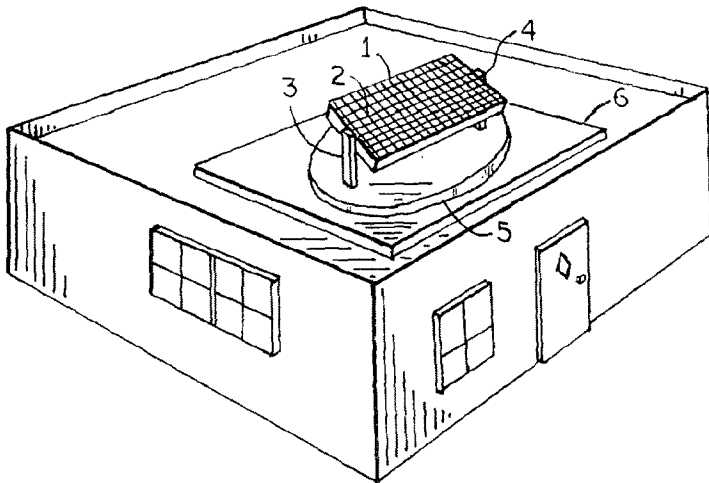
18. The light collecting device of claim 17, wherein the brackets are held to a support by a configuration bracket, the configuration bracket being lockable in more than one orientation.

19. The light collecting device of claim 14, wherein the reflective inner surface comprises a polished surface.

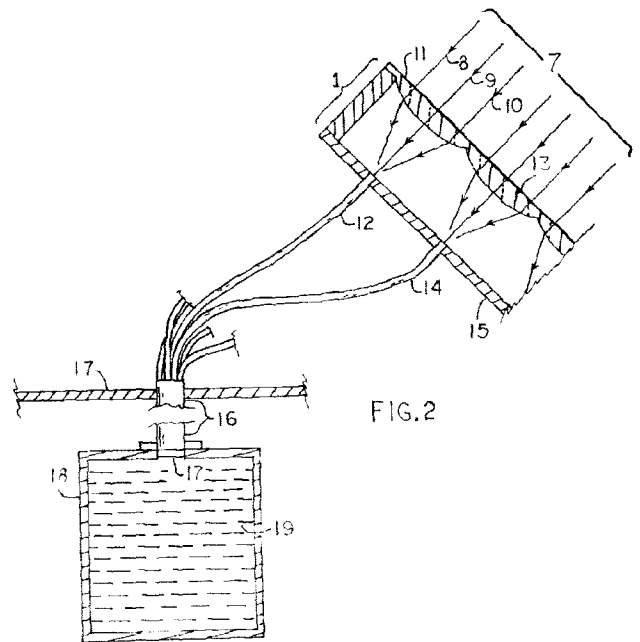
20. The light collecting device of claim 14, further comprising a lens arrangement in front of the end of the light guide.



**FIGURE 1
PRIOR ART**



**FIGURE 2A
PRIOR ART**



**FIGURE 2B
PRIOR ART**



FIGURE 3

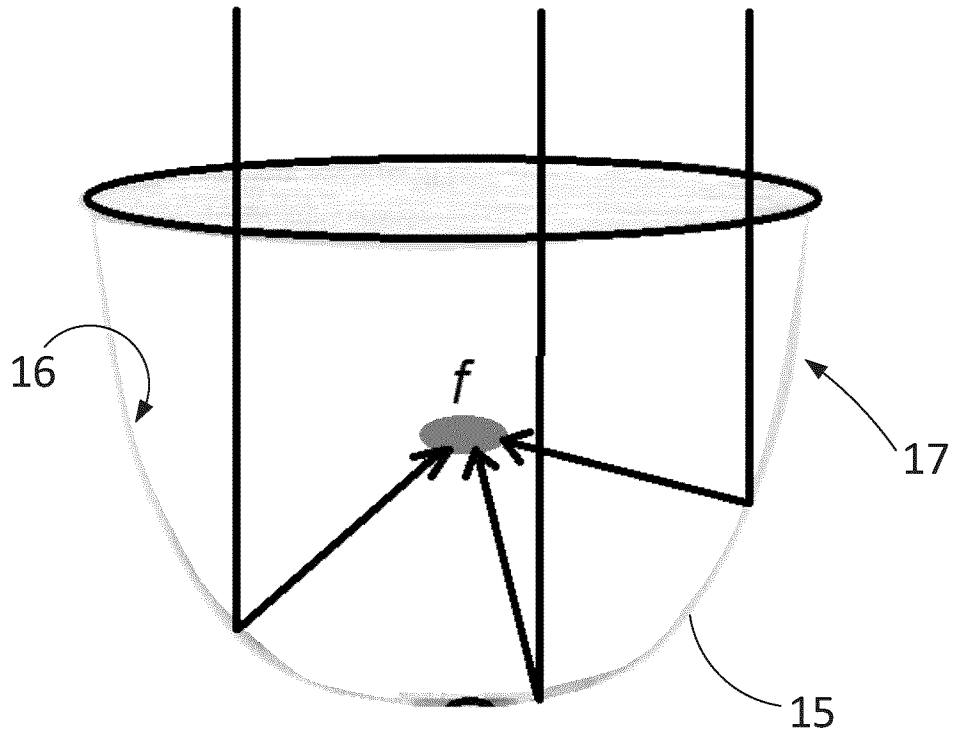


FIGURE 4

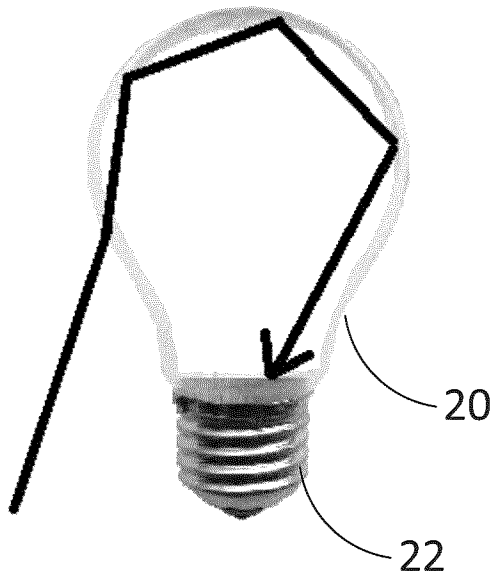


FIGURE 5

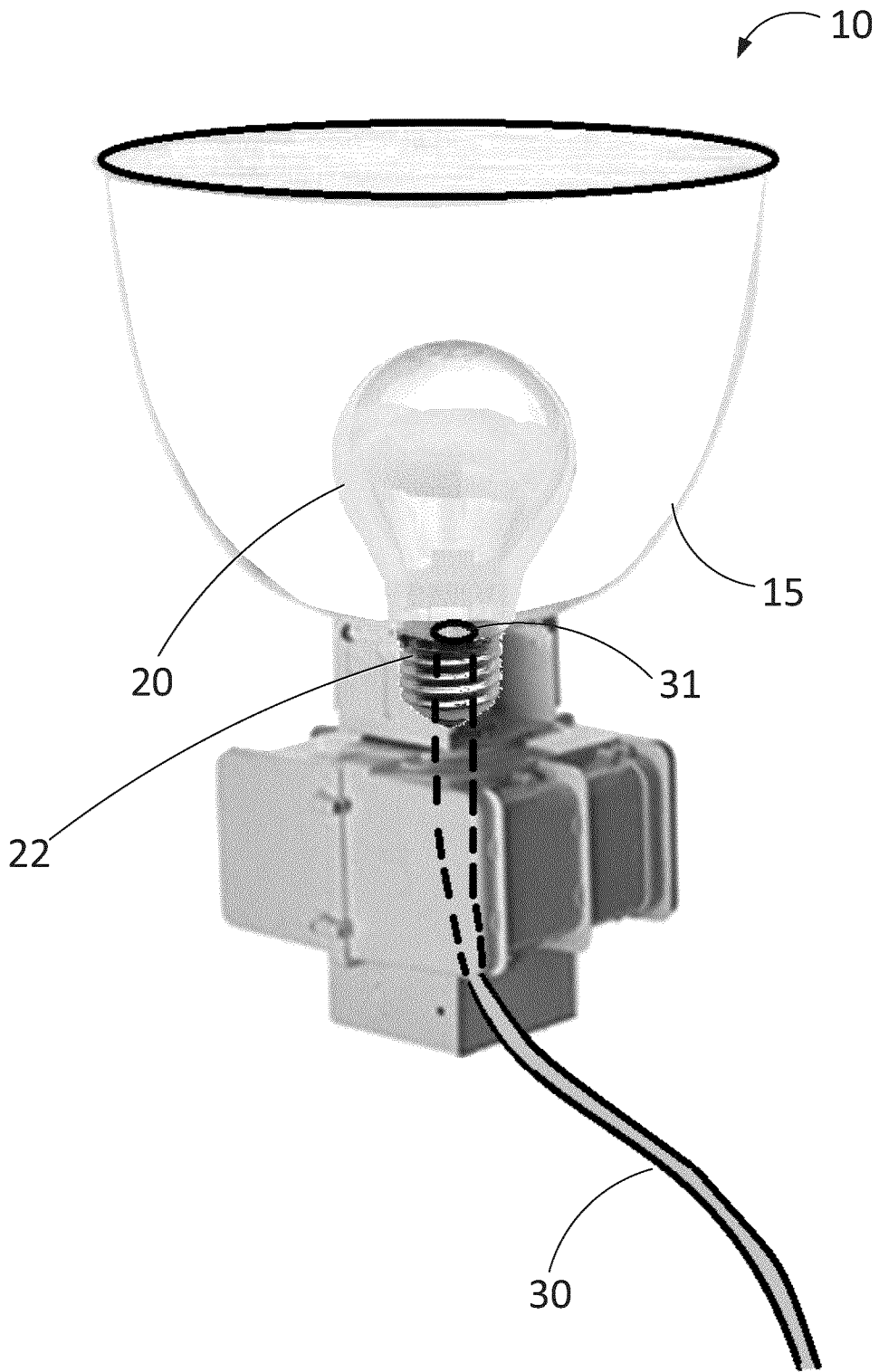


FIGURE 6

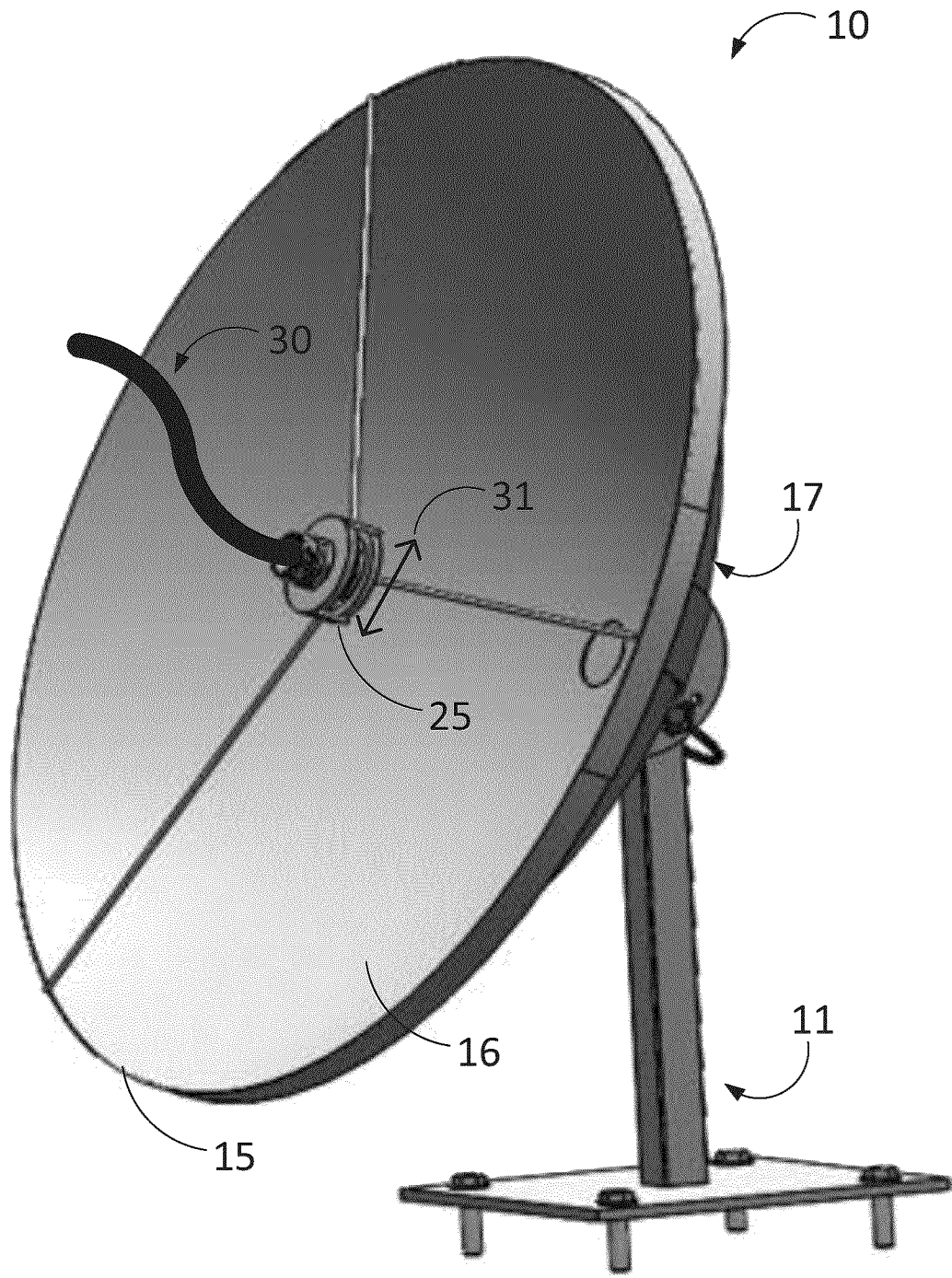


FIGURE 7A

7/9

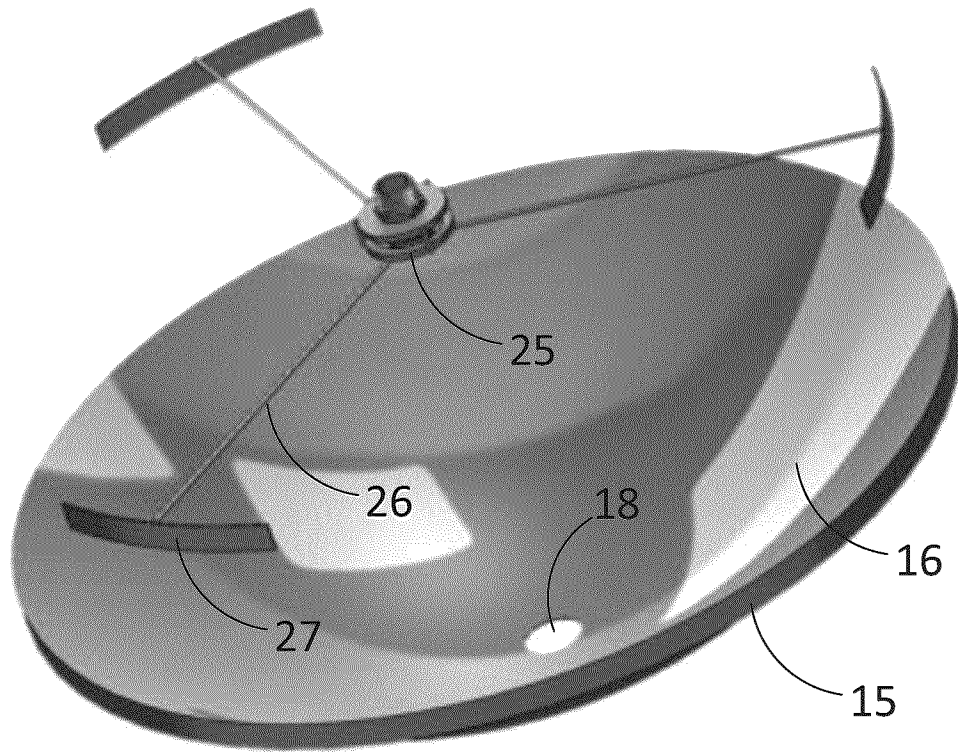


FIGURE 8A

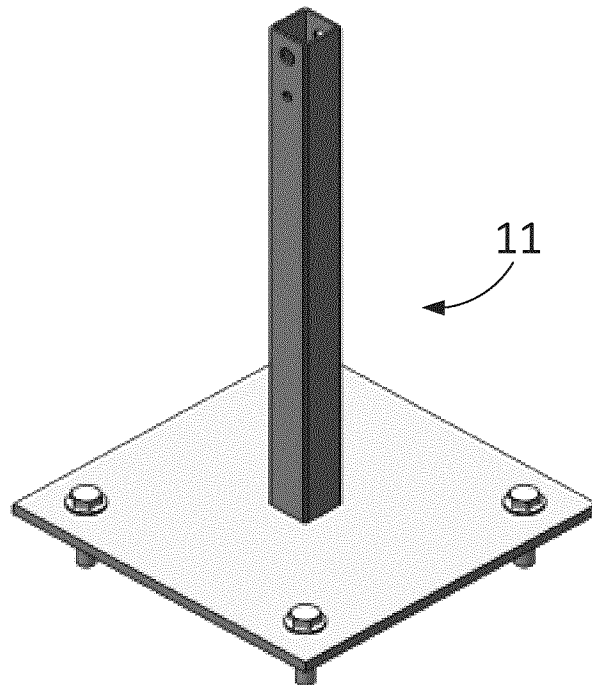


FIGURE 8B

8/9

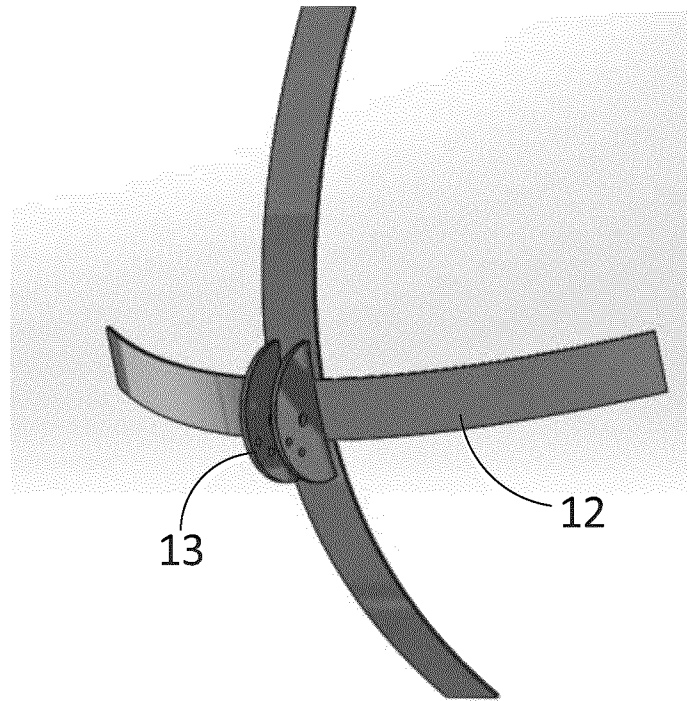


FIGURE 8C

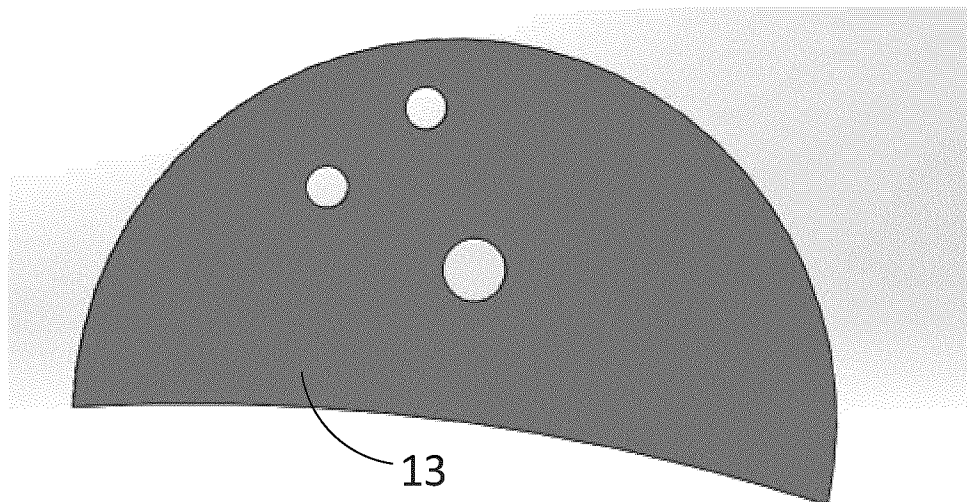


FIGURE 8D

Dish Shape

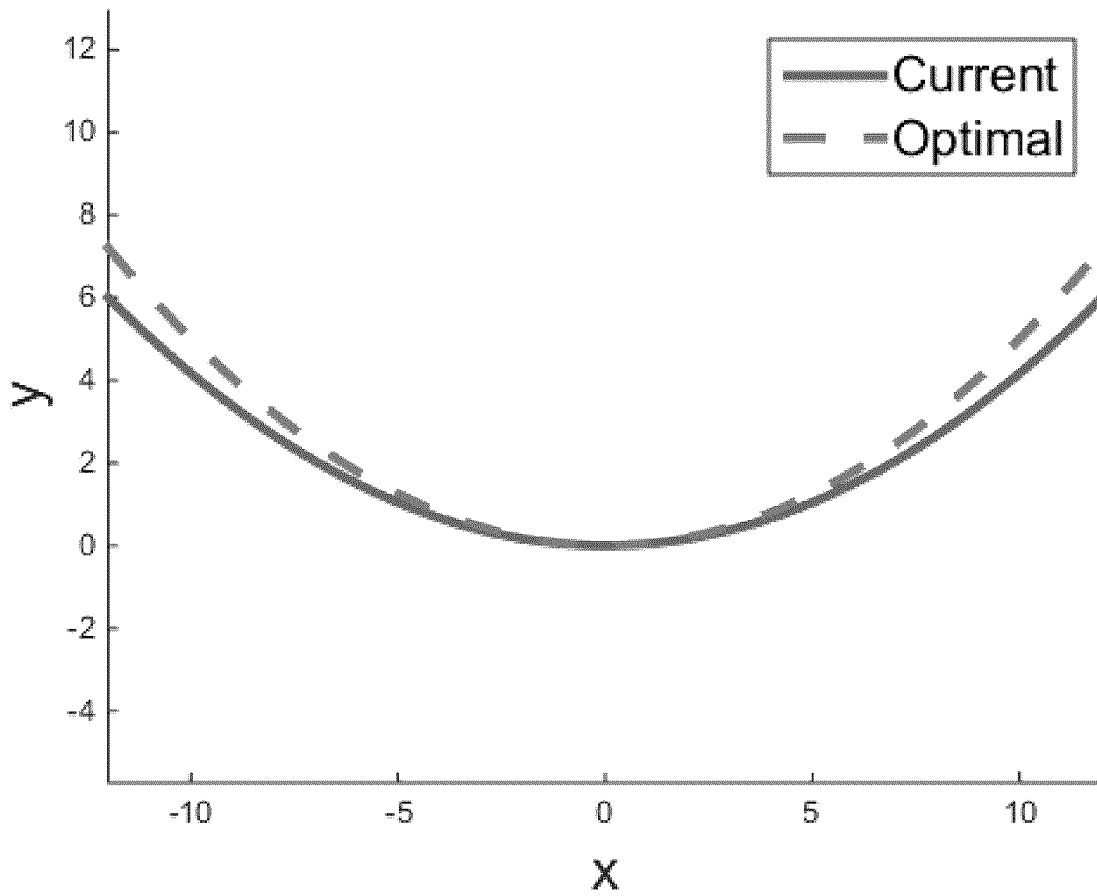


FIGURE 9

INTERNATIONAL SEARCH REPORT

International application No.

PCT/CA2017/050961

<p>A. CLASSIFICATION OF SUBJECT MATTER IPC: <i>G02B 17/00</i> (2006.01), <i>F21S 11/00</i> (2006.01), <i>F24J 2/42</i> (2006.01), <i>H02S 40/22</i> (2014.01), <i>G02B 6/00</i> (2006.01)</p> <p>According to International Patent Classification (IPC) or to both national classification and IPC</p>											
<p>B. FIELDS SEARCHED</p> <p>Minimum documentation searched (classification system followed by classification symbols) IPC(2006): G02B, F21S, F24J IPC(2014): H02S</p> <p>Documentation searched other than minimum documentation to the extent that such documents are included in the fields searched</p> <p>Electronic database(s) consulted during the international search (name of database(s) and, where practicable, search terms used) Canadian Patent Database, Questel Orbit, IEEE Xplore: (Keywords: light/solar/sunlight collector; concave; reflective; dish; paraboloid; reflector; light guide)</p>											
<p>C. DOCUMENTS CONSIDERED TO BE RELEVANT</p> <table border="1"> <thead> <tr> <th>Category*</th> <th>Citation of document, with indication, where appropriate, of the relevant passages</th> <th>Relevant to claim No.</th> </tr> </thead> <tbody> <tr> <td>A</td> <td>US 2015/0009567 A1 (FREIER et al.) 08 January 2015 (08-01-2015) * Abstract; Fig. 2B and corresponding text *</td> <td>1-4</td> </tr> <tr> <td>X</td> <td></td> <td>5-20</td> </tr> </tbody> </table>			Category*	Citation of document, with indication, where appropriate, of the relevant passages	Relevant to claim No.	A	US 2015/0009567 A1 (FREIER et al.) 08 January 2015 (08-01-2015) * Abstract; Fig. 2B and corresponding text *	1-4	X		5-20
Category*	Citation of document, with indication, where appropriate, of the relevant passages	Relevant to claim No.									
A	US 2015/0009567 A1 (FREIER et al.) 08 January 2015 (08-01-2015) * Abstract; Fig. 2B and corresponding text *	1-4									
X		5-20									
<input type="checkbox"/> Further documents are listed in the continuation of Box C. <input checked="" type="checkbox"/> See patent family annex.											
<p>* Special categories of cited documents:</p> <p>“A” document defining the general state of the art which is not considered to be of particular relevance</p> <p>“E” earlier application or patent but published on or after the international filing date</p> <p>“L” document which may throw doubts on priority claim(s) or which is cited to establish the publication date of another citation or other special reason (as specified)</p> <p>“O” document referring to an oral disclosure, use, exhibition or other means</p> <p>“P” document published prior to the international filing date but later than the priority date claimed</p>	<p>“T” later document published after the international filing date or priority date and not in conflict with the application but cited to understand the principle or theory underlying the invention</p> <p>“X” document of particular relevance; the claimed invention cannot be considered novel or cannot be considered to involve an inventive step when the document is taken alone</p> <p>“Y” document of particular relevance; the claimed invention cannot be considered to involve an inventive step when the document is combined with one or more other such documents, such combination being obvious to a person skilled in the art</p> <p>“&” document member of the same patent family</p>										
<p>Date of the actual completion of the international search 24 October 2017 (24-10-2017)</p>		<p>Date of mailing of the international search report 14 November 2017 (14-11-2017)</p>									
<p>Name and mailing address of the ISA/CA Canadian Intellectual Property Office Place du Portage I, C114 - 1st Floor, Box PCT 50 Victoria Street Gatineau, Quebec K1A 0C9 Facsimile No.: 819-953-2476</p>		<p>Authorized officer Patrick Abou-Antoun (819) 639-1681</p>									

INTERNATIONAL SEARCH REPORT
Information on patent family members

International application No.
PCT/CA2017/050961

Patent Document Cited in Search Report	Publication Date	Patent Family Member(s)	Publication Date
US2015009567A1	08 January 2015 (08-01-2015)	US2015009567A1 US9335015B2 JP2015506569A TW201337186A WO2013112362A1	08 January 2015 (08-01-2015) 10 May 2016 (10-05-2016) 02 March 2015 (02-03-2015) 16 September 2013 (16-09-2013) 01 August 2013 (01-08-2013)