

[54] **DRAFTING MACHINE SCALE MAGNIFIER ATTACHMENT**

[75] Inventor: Michael L. Miller, Pasadena, Calif.
[73] Assignee: Vemco Corporation, Pasadena, Calif.
[**] Term: 14 Years
[21] Appl. No.: 137,262
[22] Filed: Apr. 4, 1980

[51] Int. Cl.³ D16-06
[52] U.S. Cl. D16/135; D10/74
[58] Field of Search D10/63, 71, 74; D16/48, D16/49, 50, 51, 54, 56; 350/116, 243, 245-247, 256

[56] **References Cited**
U.S. PATENT DOCUMENTS
D. 218,537 8/1970 Bushon D16/54

D. 242,329 2/1977 Snarski D16/54
D. 253,045 10/1979 Rizer D16/54 X
1,798,953 3/1931 Rennie 350/116
1,806,422 5/1931 Shaen 350/116
2,355,161 8/1944 Holstein 350/116

Primary Examiner—Nelson C. Holtje
Attorney, Agent, or Firm—Robert M. McManigal

[57] **CLAIM**

The ornamental design for a drafting machine scale magnifier attachment, as shown and described.

DESCRIPTION

FIG. 1 is a perspective view of a drafting machine scale magnifier attachment showing my new design, the rule portion shown in broken lines being for illustrative purposes only and forming no part of the claimed design;

FIG. 2 is a top plan view thereof;

FIG. 3 is a cross-sectional view thereof as taken from line 3-3 of FIG. 2.

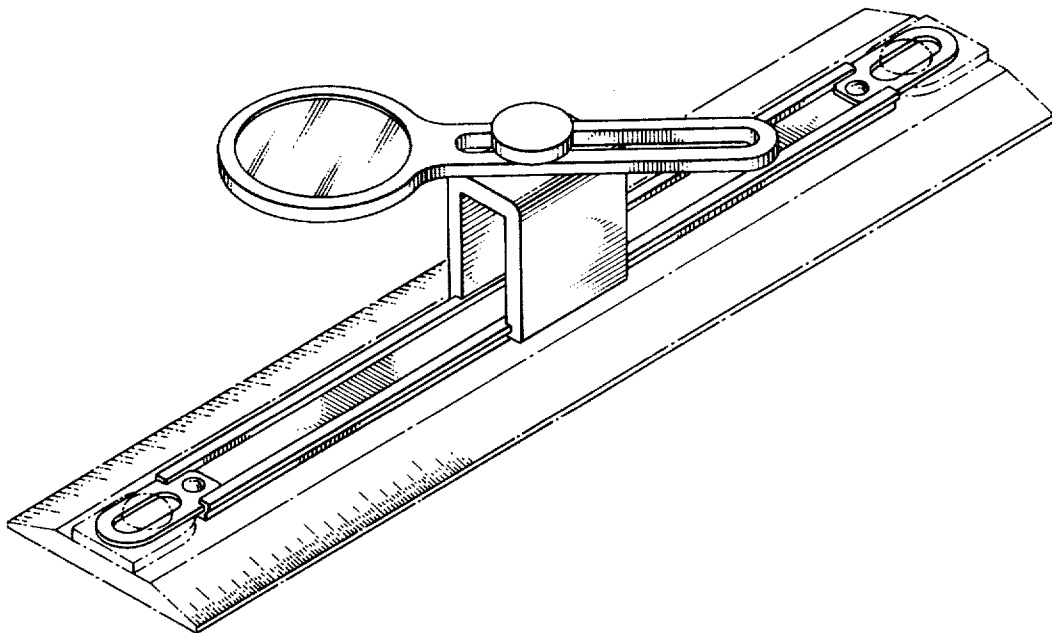


FIG. 1.

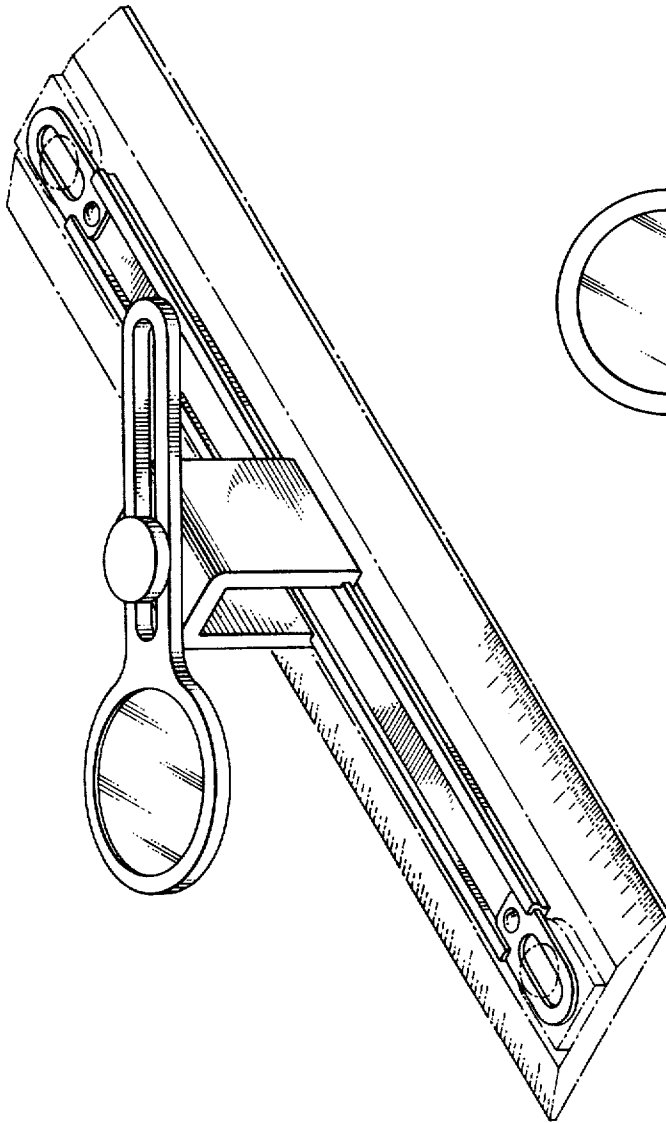


FIG. 3.

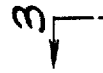
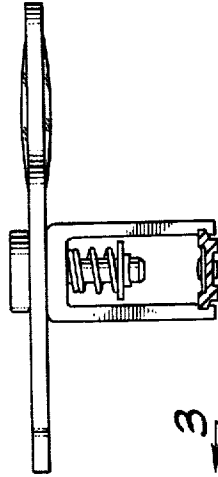


FIG. 2.

