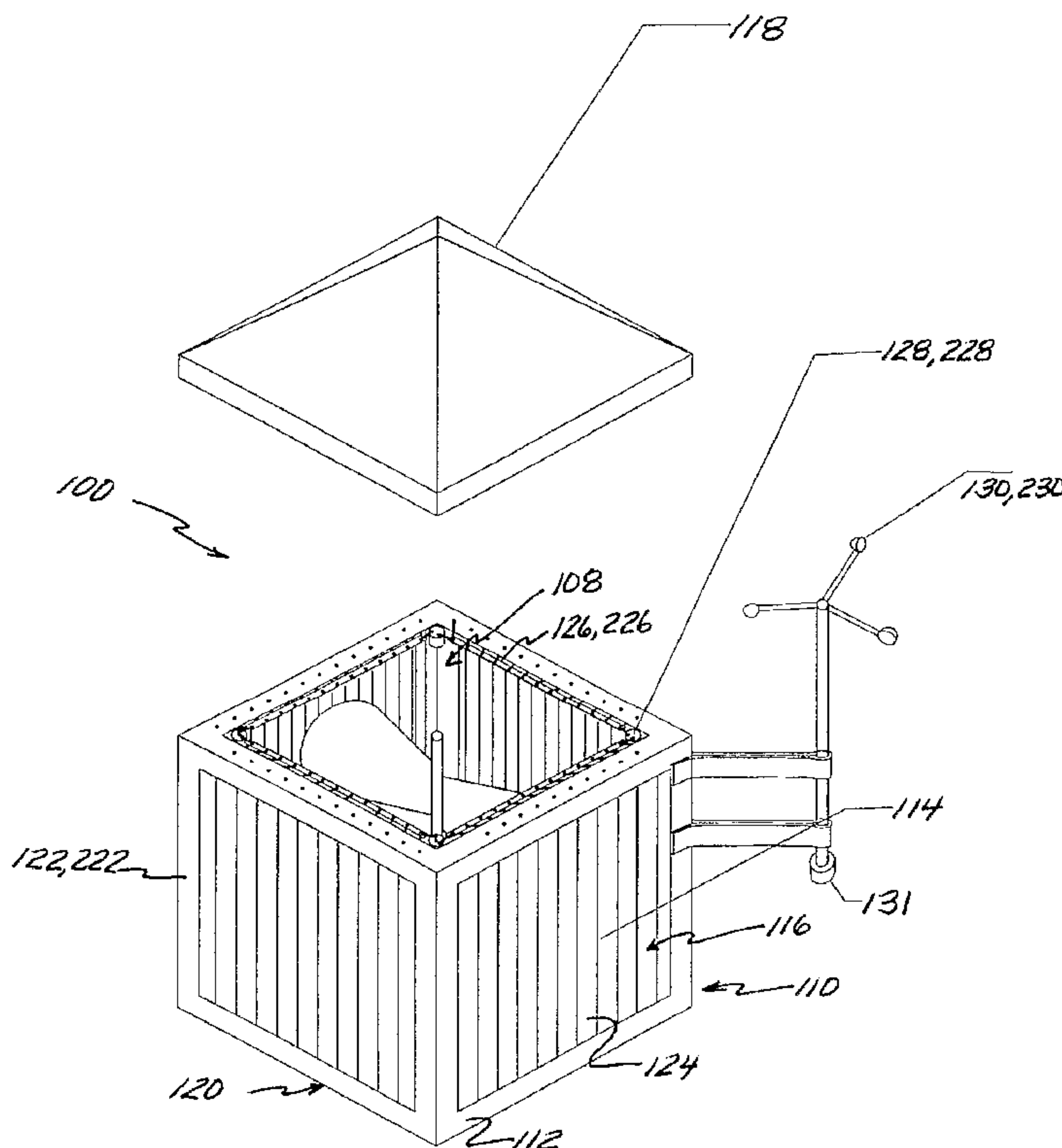




(86) Date de dépôt PCT/PCT Filing Date: 2007/06/06  
 (87) Date publication PCT/PCT Publication Date: 2007/12/13  
 (85) Entrée phase nationale/National Entry: 2008/12/08  
 (86) N° demande PCT/PCT Application No.: US 2007/013368  
 (87) N° publication PCT/PCT Publication No.: 2007/143216  
 (30) Priorités/Priorities: 2006/06/10 (US60/812,466);  
 2006/10/10 (US60/850,613)

(51) Cl.Int./Int.Cl. *F03D 3/00* (2006.01),  
*F03D 3/04* (2006.01), *F03D 9/00* (2006.01)  
 (71) Demandeur/Applicant:  
 MENGES, PAMELA A., US  
 (72) Inventeur/Inventor:  
 MENGES, PAMELA A., US  
 (74) Agent: OGILVY RENAULT LLP/S.E.N.C.R.L.,S.R.L.

(54) Titre : SYSTEME D'EOLIENNE  
 (54) Title: WIND GENERATOR SYSTEM



(57) Abrégé/Abstract:

The present invention is a new and novel wind generator system particularly suitable for small wind applications that harnesses low velocity wind effectively. In a preferred embodiment of the invention, the wind generator system comprises a drive shaft; a plurality

(57) **Abrégé(suite)/Abstract(continued):**

of blades attached to the drive shaft and extending radially outwardly therefrom; a generator assembly coupled to the drive shaft and effective for generating electrical power; and a housing having an inner chamber for receiving the plurality of blades and a wind directional apparatus that operates to adjust the speed of the wind and to channel wind along a desired flow pathway towards the plurality of blades.

(12) INTERNATIONAL APPLICATION PUBLISHED UNDER THE PATENT COOPERATION TREATY (PCT)

(19) World Intellectual Property Organization  
International Bureau(43) International Publication Date  
13 December 2007 (13.12.2007)

PCT

(10) International Publication Number  
**WO 2007/143216 A3**

(51) International Patent Classification:

*F03D 9/00* (2006.01)

(21) International Application Number:

PCT/US2007/013368

(22) International Filing Date: 6 June 2007 (06.06.2007)

(25) Filing Language: English

(26) Publication Language: English

(30) Priority Data:

60/812,466 10 June 2006 (10.06.2006) US

60/850,613 10 October 2006 (10.10.2006) US

(71) Applicant and

(72) Inventor: MENGES, Pamela, A. [US/US]; 2196 West North Bend Road, Cincinnati, OH 45239 (US).

(74) Agent: SMITH, Mark, F.; 905 Ohio Pike, Cincinnati, OH 45245 (US).

(81) Designated States (*unless otherwise indicated, for every kind of national protection available*): AE, AG, AL, AM, AT, AU, AZ, BA, BB, BG, BH, BR, BW, BY, BZ, CA, CH,

CN, CO, CR, CU, CZ, DE, DK, DM, DO, DZ, EC, EE, EG, ES, FI, GB, GD, GE, GH, GM, GT, HN, HR, HU, ID, IL, IN, IS, JP, KE, KG, KM, KN, KP, KR, KZ, LA, LC, LK, LR, LS, LT, LU, LY, MA, MD, ME, MG, MK, MN, MW, MX, MY, MZ, NA, NG, NI, NO, NZ, OM, PG, PH, PL, PT, RO, RS, RU, SC, SD, SE, SG, SK, SL, SM, SV, SY, TJ, TM, TN, TR, TT, TZ, UA, UG, US, UZ, VC, VN, ZA, ZM, ZW.

(84) Designated States (*unless otherwise indicated, for every kind of regional protection available*): ARIPO (BW, GH, GM, KE, LS, MW, MZ, NA, SD, SL, SZ, TZ, UG, ZM, ZW), Eurasian (AM, AZ, BY, KG, KZ, MD, RU, TJ, TM), European (AT, BE, BG, CH, CY, CZ, DE, DK, EE, ES, FI, FR, GB, GR, HU, IE, IS, IT, LT, LU, LV, MC, MT, NL, PL, PT, RO, SE, SI, SK, TR), OAPI (BF, BJ, CF, CG, CI, CM, GA, GN, GQ, GW, ML, MR, NE, SN, TD, TG).

Declaration under Rule 4.17:

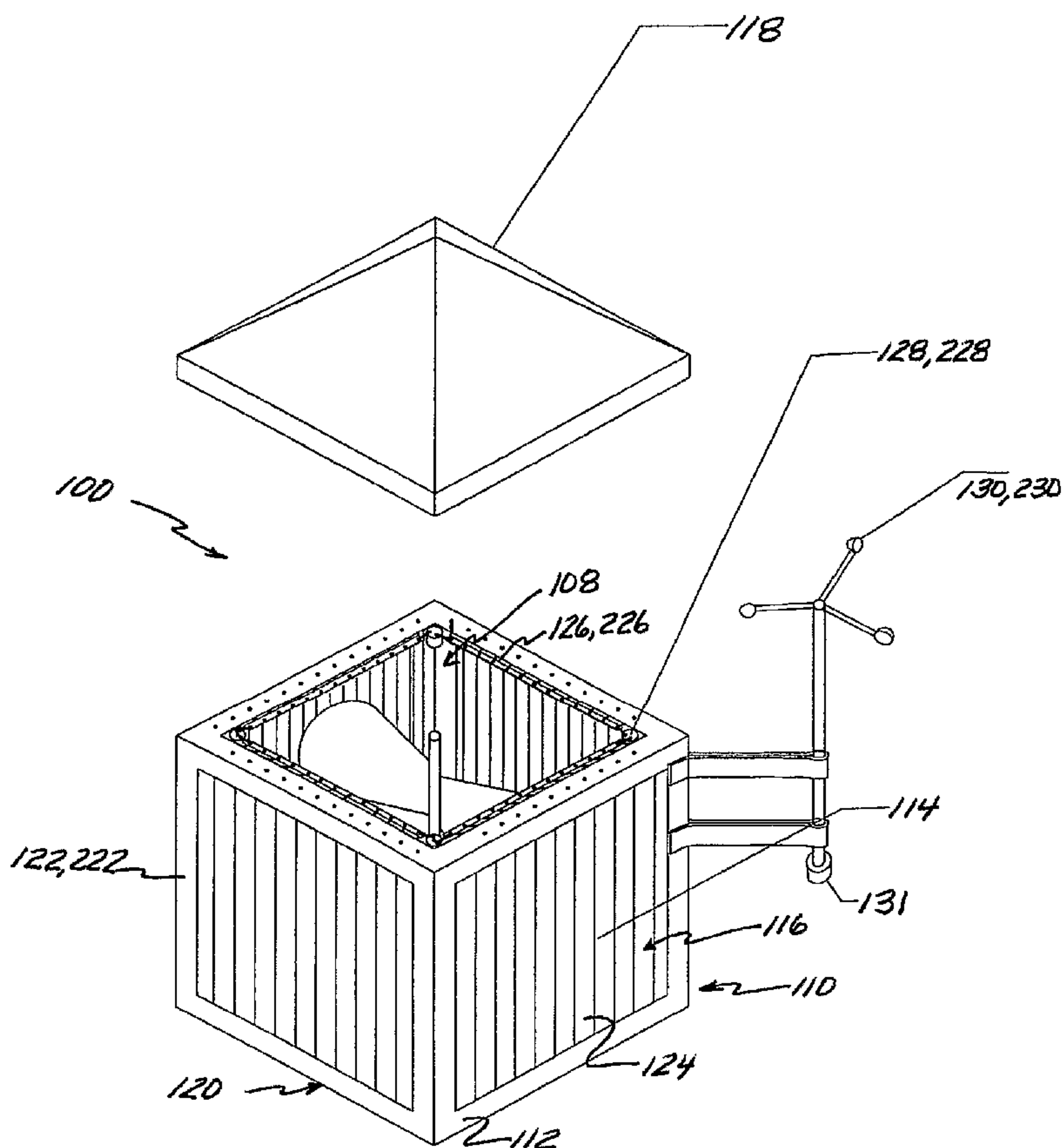
— of inventorship (Rule 4.17(iv))

Published:

— with international search report

[Continued on next page]

(54) Title: WIND GENERATOR SYSTEM



(57) Abstract: The present invention is a new and novel wind generator system particularly suitable for small wind applications that harnesses low velocity wind effectively. In a preferred embodiment of the invention, the wind generator system comprises a drive shaft; a plurality of blades attached to the drive shaft and extending radially outwardly therefrom; a generator assembly coupled to the drive shaft and effective for generating electrical power; and a housing having an inner chamber for receiving the plurality of blades and a wind directional apparatus that operates to adjust the speed of the wind and to channel wind along a desired flow pathway towards the plurality of blades.

WO 2007/143216 A3

**WO 2007/143216 A3**



---

**(88) Date of publication of the international search report:**  
10 July 2008

## **Description**

### **WIND GENERATOR SYSTEM**

#### **Technical Field**

The present invention is directed to power generation and,  
5 more particularly, to wind generator systems effective for generating electric  
power during low wind conditions and in urban or built environments.

#### **Background**

In recent years the need for alternative sources of electrical energy  
has grown significantly as a result of increased and uncertainty in oil prices,  
10 growing environmental concerns, and the lack of sufficient alternative energy  
supplies. Accordingly, wind generator systems have gained support as an  
alternate energy source. Wind generators have been shown to provide a  
safe and clean source of electric power. Systems, such as large or big wind  
generators, have been developed having large blades (often more than 18  
15 feet in length) mounted on high towers that can produce more than 35  
kilowatts (kW) of power with wind speeds of 20 knots. Such systems are  
typically used in combination with other wind generators, such as along  
coastal areas for providing electrical power directly to power grids. Such  
systems have also been used in rural areas, such as farms, for providing  
20 supplemental power or reducing electrical costs.

Small wind generators mounted on smaller towers have also been  
developed for use such as for residential application and have been used as  
remote or distributed power sources. Such systems are often connected to  
the main electric service to the home thereby allowing sufficient powering of  
25 the home and for sending excess power generated by the wind generator

back to the power grid. Typically, these small wind generators rotate at speeds that vary with wind speed and have a plurality of blades that drive a rotor coupled to a gearbox that operates to increase the rotation speed of a generator for producing electric power.

5           In order to reduce maintenance and increase efficiency, systems have been developed having relatively large synchronous ring generators that permit the rotor to be directly coupled to the generator without the need of a gearbox. Unfortunately, while such systems have reduced maintenance costs and have increased the efficiency of the systems, wind generator  
10 systems continue to suffer from relatively significant maintenance costs. Further, forces being exerted to the systems due to wind increase in proportion to the cube of wind speed. Accordingly, high wind speeds often encountered by small wind generator systems, even if only occasional or momentary, can damage system components. This is particularly true for  
15 wind generators having relatively large blades such as typically required for small wind generators that depend on the relatively large blades to harvest lower-energy winds. Thus, small wind generator systems are typically designed having means for preventing system damage due to such high speed winds. Such means include blade pitching, airfoil spoilers, blade tip  
20 breaks, and the like. Means such as braking means or means that act upon the entire blade apparatus rather than on individual blades have also been developed. Unfortunately, all such means significantly add to the complexity and expense of the wind generator systems and significantly add to their maintenance down time and costs. In addition, systems having such means  
25 typically require routine maintenance which significantly increases their

operating costs. This is particularly true when parts or components must be repaired or replaced which often requires significant rebuild or major dismantling of the system to replace a component. Further, during operation, such means often result in significant power drops or the cessation of power  
5 generation during such high wind conditions.

Another problem associated with small wind generators is that they are often acoustically noisy and are undesirable for many residential applications. Further, small or low wind generator systems for mounting to building structures are generally not aesthetically pleasing, often require  
10 extensive building modifications, and are prohibited under many building codes.

Accordingly, due to the complexity of many wind generators used in small wind or distributed power the need for a simple modular and easy to maintain generator is significant in not just reducing cost to the consumer but  
15 in the cost of manufacture and maintenance.

Consequently, a need exists for a small wind generating system that has reduced cyclic cost, increased reliability and improved maintenance needs and costs, that is acoustically and aesthetically acceptable for residential operation, and which is relatively inexpensive to manufacture and  
20 install.

### **Disclosure of the Invention**

The present invention is a new and novel wind generator system particularly suitable for small wind applications that harnesses low velocity wind effectively. In a preferred embodiment of the invention, the wind  
25 generator system comprises a drive shaft; a plurality of blades attached to

the drive shaft and extending radially outwardly therefrom; a generator assembly coupled to the drive shaft and effective for generating electrical power; and a housing having an inner chamber for receiving the plurality of blades and a wind directional apparatus that operates to adjust the speed of the wind and to channel wind along a desired flow pathway towards the plurality of blades.

In another preferred embodiment of the invention the wind generator system comprises means for sensing the direction and speed of wind at the location of the housing.

10 In another preferred embodiment of the invention the wind generator system comprises sensing means for monitoring the electrical power output of the wind generator system.

In another preferred embodiment of the invention the wind generator system comprises sensing means for monitoring the operational efficiency and condition of the wind generator system.

15 In another preferred embodiment of the invention the wind generator system comprises a communication and control means coupled to the sensing means whereby the communication and control means can communicate with an outside monitoring system.

20 In another preferred embodiment of the invention the communication and control means of one wind generator system can communicate with the communication and control means of another wind generator system.

In another preferred embodiment of the invention the blades comprise an aerodynamic adjustment element for adjusting the aerodynamic characteristic of the blades.

25

In another preferred embodiment of the invention the aerodynamic element is a thin film material.

In another preferred embodiment of the invention the aerodynamic element is a metallic composite coating.

5 In another preferred embodiment of the invention the aerodynamic element is formed from a shaped memory alloy.

In another preferred embodiment of the invention the shaped memory alloy is Nitinol.

10 In another preferred embodiment of the invention the wind generator comprises a pulley apparatus having a loop coupled to the drive shaft; and means for creating a temperature differential along a portion of the loop; wherein the loop is effective for increasing the rotational speed of the drive shaft when acted upon by the means for creating a temperature differential along a portion of the loop.

15 In another preferred embodiment of the invention the loop is formed from a shaped memory alloy.

In another preferred embodiment of the invention the blades comprise a photovoltaic substrate operable for generating electrical power.

20 In another preferred embodiment of the invention the photovoltaic substrate operates in response to infrared light.

In another preferred embodiment of the invention the wind directional apparatus comprises a plurality of rotatable slats.

25 Another preferred embodiment of the invention, a wind generator system comprises at least two stages of blades mounted to a drive shaft; each stage having at least one blade attached thereto and extending radially

outwardly therefrom; a generator assembly coupled to the drive shaft and effective for generating electrical power; and a housing having an inner chamber for receiving each stage of at least one blade and a wind directional apparatus that operates to adjust airflow and to channel the wind along a  
5 desired flow pathway towards each of at least one blade.

In another preferred embodiment the wind generator system comprises rotatable slats having images thereon that change when the slats rotate.

In another preferred embodiment of the invention the housing includes  
10 a rotatable base that operates to rotate the wind generator system to optimize power generation.

In another preferred embodiment of the invention the individual components of the wind generator system are grouped into individual modules that can be easily installed or removed into the wind generator  
15 system.

In another preferred embodiment of the invention the housing of the wind generator system can be incorporated into a structure.

In another preferred embodiment of the invention the wind generator system comprises a wire or band formed from a shaped memory alloy and  
20 effective for increasing the rotational speed of the drive shaft.

In another preferred embodiment of invention the wind generator system comprises an energy storage system.

In another preferred embodiment of the invention the energy storage system is a hydraulic or pressurized fluid storage system.

In another preferred embodiment of the invention the energy storage system is a bellows storage system.

In another preferred embodiment of the invention the energy storage system is a combination of hydraulic and bellows storage systems.

5 In another preferred embodiment of the invention the energy storage system is a combination storage system comprising hydraulic, bellows and battery storage systems.

10 These and other features, aspects, and advantages of the present invention will become better understood with regard to the following description, appended claims, and accompanying drawings.

#### **Brief Description of the Drawings**

15 To provide a more complete understanding of the present invention and further features and advantages thereof, reference is now made to the following description taken in conjunction with the accompanying drawings, in which:

**FIG. 1** is a schematic illustration of a portion of the wind generator system of the subject invention showing an end view of blades mounted to a drive shaft;

20 **FIG. 2** is a perspective schematic partially exploded illustration of the wind generator system showing blades mounted to a drive shaft and enclosed within a housing;

**FIG. 3** is a schematic illustration showing wind being directed by the wind directional apparatus that operates to adjust wind speed and to channel wind into the housing through one or more of the openings, along a desired

flow pathway towards the blades, and out of the housing through one or more of the openings;

**FIG. 4** is an schematic illustration showing the wind speed and direction sensor electrically coupled to a control apparatus having a microprocessor for receiving signals from the wind speed and direction sensor that determines and provides signals to a wind directional apparatus for directing airflow along a desired pathway to properly impinge the blades;

**FIG. 5** is a top schematic view illustration showing blades having an aerodynamic adjustment element thereon that operates to increase or decrease the camber of the blades;

**FIG. 6** is a side view illustration showing a portion of a drive shaft and a blade attached thereto and showing a blade being acted upon by the aerodynamic adjustment element of **FIG. 5**;

**FIG. 7** is a schematic illustration showing blades having an aerodynamic adjustment element comprising a thin film material applied to a portion of one side of each blade;

**FIG. 8** is a schematic illustration showing the interaction between a blade control unit and a resistant circuit for heating of the film material of **FIG. 7** to cause the bending of the blade to increase or decrease its camber thereby adjusting its aerodynamic characteristic;

**FIG. 9** is a schematic illustration showing another preferred embodiment of a blade control unit for properly adjusting of the aerodynamic characteristic of the blades comprising a neural network;

**FIG. 10** is a schematic illustration showing blades having a piezo electric material coating applied to one or both sides of the blades;

**FIG. 11** is a schematic illustration showing blades having both an aerodynamic adjustment element and a piezo electric material coating applied thereto;

**FIG. 12** is a schematic illustration showing a performance monitor for  
5 monitoring the performance and efficiency of the wind generator system;

**FIG. 13** is a schematic illustration showing a wind generator system attached to a structure, such as the roof of a building;

**FIG. 14** is a schematic illustration showing another preferred embodiment of the invention showing the wind generator system comprising  
10 a plurality of aligned or stacked blades mounted to a drive shaft;

**FIG. 15** is a schematic illustration of the wind generator system of **FIG. 14** showing the blades and shaft within a housing;

**FIG. 16** is a schematic illustration showing another preferred embodiment of the invention showing a plurality of aligned or stacked blade  
15 stages enclosed within a housing having a wind intake ramp;

**FIG. 17** is a schematic illustration showing a top view of the wind generator system of **FIG. 16**;

**FIG. 18** is a schematic illustration of the wind generator system of **FIG. 16** showing wind exhaust openings;

**FIG. 19** is a schematic illustration of another embodiment of the wind generator system having a housing comprising stands, rack mounting  
20 structures for equipment, and the like;

**FIG. 20** is a schematic illustration of another preferred embodiment of the invention showing an energy enhancer element for increasing the rotation  
25 of the drive shaft;

**FIG. 21** is a schematic illustration showing the top view of the energy enhancer element of **FIG. 20**;

**FIG. 22** is a schematic illustration of another preferred embodiment of the wind generator system having an energy storage system comprising a  
5 bellows system; and

**FIG. 23** is a schematic illustration of another preferred embodiment of the wind generator system having another preferred embodiment of an energy storage system comprising a pressurized fluid storage system.

#### **Best Mode for Carrying Out the Invention**

10 The present invention relates to a low or small wind generator system. In describing the preferred embodiments of the invention illustrated in the drawings, specific terminology will be resorted to for the sake of clarity. However, the invention is not intended to be limited to the specific terms so  
15 selected, and it is to be understood that each specific term includes all technical equivalents that operate in a similar manner to accomplish a similar purpose.

Referring to **FIGS. 1** and **2**, a preferred embodiment of the wind generator system, generally referred to as **100**, is shown comprising a drive shaft **102** and a plurality of blades **104** (two or more) attached to and  
20 extending radially outwardly from the drive shaft **102**. The drive shaft **102** is operationally coupled to a generator assembly **106** which operates to generate electrical power when actuated by rotation of the drive shaft **102**. It should be understood that as used herein the term "generator" includes alternators. In a preferred embodiment as shown, the drive shaft **102** and  
25 blades **104** are enclosed within an inner chamber **108** of a housing **110**. The housing **110** comprises a frame **112** having openings **114** wherein preferably

each opening **114** has a wind directional apparatus **116** that operates to adjust wind speed and to channel wind **W** (**FIG. 3**) into the housing through one or more of the openings **114**, which operate as air intakes that direct wind along a desired flow pathway towards the blades **104**, and out of the housing **110** through one or more of the openings **114** that operate as wind exhausts. Preferably, the housing **110** is generally rectangular in shape having a top or roof **118**, a base **120**, and vertical sides **122**. Preferably, at least one opening **112** is provided on each vertical side **122**. In a preferred embodiment, as shown in **FIG. 2**, the wind directional apparatus **116** comprises a plurality of rotatable slats or louvers **124** that are operationally coupled to control rails **126** that are operated by one or more electric motor and horizontal control units **128** for rotating the slats **124** such as use of conventional bell cranks. It should be understood that the housing **110** is not limited to being rectangular in shape but may have a variety of geometries having various number of vertical sides. For an exemplinary illustration, the housing can be formed in the shape of a pentagon. Mounted to the housing **110** is a wind speed and direction sensor or anemometer **130** that operates to detect and measure wind speed and direction at the location of the wind generator system **100**. As illustrated in **FIG. 4**, the wind speed and direction sensor **130** is electrically coupled, such as by wire or by a wireless transmitter **131** (**FIG. 2**), such as shown, to a control apparatus **132** having a microprocessor **133** that receives signals from the wind speed and direction sensor **130** which then operates to determine and provide signals to the electric motor and control units **128** to rotate the slats **124** to the desired

position for directing airflow along a desired pathway to properly impinge the blades **104**.

Referring to **FIG. 1**, a preferred embodiment of the blades **104** is shown. Preferably each blade **104** has a relatively large surface area **A** effective for harvesting lower-energy (low wind speed) wind being directed to the blades **104**. Referring to **FIGS. 5** and **6**, another preferred embodiment of the blades **104** is shown whereby the blades **104** include an aerodynamic adjustment element **134** (**FIGS. 7** and **8**) for adjusting the aerodynamic characteristic of each of the blades **104**. In a preferred embodiment, as shown in **FIG. 7**, the aerodynamic adjustment element **134** comprises a thin film material or wire **136**, such as a shaped memory alloy, that operates to increase or decrease the camber of the blades **104** (as shown in **FIGS. 5** and **6**) for adjusting the aerodynamic characteristic of the blade **104** under a variety of wind speeds. It is known that simple contraction of certain thin film materials can be accomplished such as by running electrical current through carbon fibers on a polyimide sheet. In a preferred embodiment, the thin film material **136** is formed from Nitinol (NiTi) which is a shaped memory alloy having nearly equivalent amounts of nickel and titanium. The physical and mechanical properties of a shaped memory alloy such as Nitinol are dependent on its crystalline structure. For example, the Nitinol crystal structure is very dynamic and highly heat sensitive and when it is deformed in the martensite phase, the crystalline structure is not damaged. Instead the crystal structure transforms moving in a singular crystalline direction. When heated the material returns to the memory or austenite phase, to a state of less stress. The austenite phase is the phase above transition temperature.

The transition temperature will vary according to the alloy composition. Most Nitinol alloys, for example, have transition temperatures between 70 - 130°C with tensile strength 100,000 psi, melting point of 1,250°C, and resistance 1.25 ohms per inch/0.006 inch wire. In a preferred embodiment, the particular Nitinol alloy found to be suitable is known as FLEXINOL, commercially available by Dynalloy Inc. of Costa Mesa, California.

Preferably, as stated above, the aerodynamic adjustment element **134** may be in the form of an embedded wire, thin film or a metallic coating. Referring to **FIG. 7**, in a preferred embodiment the aerodynamic adjustment element **134** is shown as a thin film material **136**, such as a Nitinol, applied to a portion of one side of each blade **104**. As shown, the blade **104** is in its normal operating configuration. Upon heating of the thin film material **136**, or an embedded wire, such as by application of electric current through a resistant circuit **140** (**FIG. 8**) within or along the thin film material **136**, the thin film material **136** contracts, as described above, causing the bending of the blade **104** to increase or decrease its camber thereby adjusting its aerodynamic characteristic (**FIGS. 5 and 6**). Referring to **FIG. 8**, in order to control the amount of current through the resistant circuit **140** for properly adjusting the aerodynamic characteristic of the blade **104**, the wing generator system **100** further comprises a blade control unit **142**. In a preferred embodiment, the blade control unit **142** includes a fuzzy logic microprocessor or controller **144** that receives wind speed input from the wind speed and direction sensor or anemometer **130** and uses such information for controlling the amount of electric current, thus heating, or allowing the thin film material **136** (or embedded wire) formed from the shape memory alloy to expand or

contract to bend and place the blade **104** into a desired aerodynamic configuration.

In another preferred embodiment of the invention, as illustrated in **FIG. 9**, the blade control unit **142** for properly adjusting of the aerodynamic characteristic of the blades **104** is a neural network (or parallel distributed processing elements (often referred to as nodes, neurons, processing elements, unites)) that work together to control the proper electric current to the resistant circuit **140**. It should be understood that the artificial neural network (functional structure) is deposited or embedded onto the surface of the blades **104** and operates for information processing and aerodynamic geometry control of the blades. Referring to **FIG. 8**, the methodology of the blade control unit is shown whereby signals generated by the wind speed and direction sensor **130** are inputted into the blade control unit **142**.

Referring to **FIG. 10**, another preferred embodiment of the invention is shown whereby the blades **104** have a light activated photovoltaic film or nanofilm **144** applied to one or both sides of the blades **104**. In another preferred embodiment of the invention, one or more portions of the housing **110** (**FIG. 2**) may be provided with such a light activated photovoltaic film or nanofilm (not shown). Preferably, the photovoltaic films or nanofilms are activated by light in the infrared range. One such nanofilm film has been developed at the University of Toronto having cells of approximately 4 nm and is photoactive in the infrared range of the light spectrum. Using films that are activated by infrared light permits higher power output with less solar radiation, such as during a cloudy day, than with standard untraviolet (UV) photovoltaic systems. In another preferred embodiment the blades **104** or

housing **110** (**FIG. 2**) may comprise piezo electric material coatings to augment power generation of the wind generator system as well as providing wind speed information by measuring the dynamic pressure of the wind against the surface of the blade.

5 In another preferred embodiment, as illustrated in **FIG. 11**, the blades **104** comprises both the aerodynamic adjustment element **124** and the photovoltaic film **144**, as described above.

In another preferred embodiment of the invention, as shown in **FIG. 12**, the wind generator system **100** comprises a performance monitor **148** for  
10 monitoring the performance and efficiency of the wind generator system **100**. Preferably, the performance monitor **148** comprises a microprocessor **150** effective for receiving signals from the wind speed and direction sensor **130** as well as receiving signals from other component sensors **149** effective for transmitting information from the components comprising the wind generator  
15 system **100**. In a preferred embodiment, the performance monitor **148** operates to monitor the electrical power output of the wind generator system **100**. In another preferred embodiment, the performance monitor **148** comprises a sensor **152** positioned on one or more of the rotatable slats or louvers **124** of housing **110** and operates to sense the actual rotational  
20 movement of the slat or louver **124** (**FIG. 2**). Such information can then be analyzed by the microprocessor **150** to determine if the proper rotational movement of the slat or louver **124** is being performed. It should now be understood that other sensors can be utilized for providing signals to the microprocessor **150** that can be utilized by the microprocessor for

determining the efficiency or performance of the various operational components comprising the wind generator system **100**.

In another preferred embodiment, the microprocessor **150** can operate to monitor the total power output of the wind generator system **100** to the rotational speed of the blades **104** to determine the health and operation performance of the system **100**. For an exemplary illustration, if the power output being generated by the wind generator system is below the level typically generated for the particular wind speed, the system components can be evaluated to determine which particular component is not operating efficiently and the component can be replaced thereby bringing the system efficiency back to its typical level. It should be understood that additional conventional sensors can be incorporated into the wind generator system to monitor the operational efficiency of various components and monitored by the microprocessor. Further, it should now be understood that the microprocessor can be coupled to a conventional transmitter (such as a wireless radio transmitter, the Internet, or other communication system) for transmitting operational data to a remote monitoring device. In this way, individual systems can be monitored as well as for use in obtaining information for use in maintenance and in determining the need for performance enhancement modifications.

Referring to **FIG. 13**, one or more wind generator systems **100** are shown mounted to a structure **S**, such as a wall, roof, platform, or the like and are can also be incorporated architecturally into the structure **S**. In addition, as should now be understood, that the wind generator system **100** having a housing **110** described above reduces operational noise levels and reduces

the likelihood of injury to wildlife, such as birds. As shown, wind **W**, is blowing in a first direction, the wind speed and direction is monitored and sensed using the wind speed and direction sensor **130** (**FIG. 2**). The wind speed and direction sensor **130** transmits a signal to the control apparatus **132** such that the microprocessor **133** (**FIG. 4**) receives the signal and determines and provides signals to the electric motor and control units **128** to rotate the slats **124** to the desired position for directing airflow along a desired pathway to properly impinge the blades **104** (**FIG. 2**). It should now be apparent that if the wind speed and direction sensor **130** detects wind speed or a wind gust greater than the safe or operational wind speed for the particular wind generator system the system operates such that the slats **124** will rotate to slow down and/or redirect the wind so that the velocity of the wind is within acceptable operating parameters. It should also be apparent that in another preferred embodiment of the invention the aerodynamic adjustment element **134** (**FIGS. 7, 8 and 9**) can be used to adjust the aerodynamic characteristics of the blades to allow them to accommodate the high wind speed. It should be apparent that unlike many prior art systems, the wind generator system of the subject application can operate under a variety of wind conditions from small wind to high wind conditions without the need of mechanical breaking systems or gearing systems.

Referring to **FIG. 14**, another preferred embodiment of the invention is shown whereby the wind generator system comprises a single drive shaft **202** or a series of shafts mounted together such as by couplings **208**, as shown, and a one or more stages of blades **203**, each stage **203** having one or more blades **204** attached to and extend radially outwardly from the drive

shaft **202**. It should be understood that the blade stages can be arranged in a horizontal or vertical arrangement. The drive shaft **202** is operationally coupled to a generator assembly **206** or a plurality of generator assemblies **206** (as shown) which operate to generate electrical power when actuated by rotation of the drive shaft **202**. Preferably, the drive shaft **202** is formed from a light aircraft grade rolled or extruded aluminum and is tubular having an inner channel **203** that provides a chase for allowing a power bus, control cables and the like to travel to the various stages, controls, and actuators and other similar electronic devices. The drive shaft **202** is supported by a frame **205** and one or more bearing assemblies **207**. It should be understood that the individual stages can be modular and assembled together by use of a rotating coupling placed in series of the individual stages, as shown. It should also be understood that the individual generators can be mounted in series to the drive shaft or the drive shaft can be coupled to a single generator.

In another preferred embodiment, as shown in **FIGS. 14** and **15**, the drive shaft **202** and blades **204** are enclosed within a housing **210**. Referring to **FIG. 15**, as shown the housing **210** comprises a frame **212** having openings **214** wherein each opening **214** has a wind directional apparatus **216** that operates to adjust wind speed and to channel the wind **W** (**FIG. 5**) into along a desired flow pathway towards the plurality of blades **204**. Preferably, the housing **210** is generally rectangular in shape having a top or roof **218** and base **220**, and vertical sides **222**. Preferably, at least one opening **214** is provided on each vertical side **222**. In a preferred embodiment, as shown in **FIG. 2**, the wind directional apparatus **216**

comprises a plurality of rotatable slats or louvers **224** that are operationally coupled to control rails **226** that are operated by one or more electric motor and control units **228** for rotating the slats **224**. It should be understood that the housing **210** is not limited to being rectangular in shape but may have a variety of geometries having various number of vertical sides. For an exemplinary illustration, the housing can be formed in the shape of a pentagon. Mounted to the housing **210** is a wind speed and direction sensor or anemometer **230** that operates to detect and measure wind speed and direction. As previously described, the wind speed and direction sensor **230** is electrically coupled to a control apparatus having a microprocessor that receives signals from the wind speed and direction sensor **230** which then determines and provides signals to the electric motor and control units **228** to rotate the slats **224** to the desired position for directing airflow along a desired pathway to properly impinge the blades **204**.

In another preferred embodiment as illustrated in FIGS. **16**, **17** and **18**, a plurality of blade stages **203** connected together by a common drive shaft **202** are enclosed within a housing **210** having supports **211** and which is rotataly mounted such that the housing can rotate in response to wind direction to optimize the wind entering through intake opening or ramp **212**.

In a preferred embodiment the intake opening **212** in the housing **210** operates as a wind intake or scoop and cooperates with one or more exhaust openings **236** that operate to expel air to optimize air flow through the housing as well as to provide pressure to rotate the wind generator system. Preferably, the intake opening **212** can be opened or closed by use of a linear displacement potentiometer **238** that cooperates with the wind speed

and direction sensor **230** and a control apparatus, such as that previously described, to increase or decrease the size of the intake opening **212**.

Referring to **FIG. 19**, in a preferred embodiment of the invention the wind generator system can be used to provide electric power for various applications. As an exemplary illustration, such systems can be mounted to a structure or be portable for emergency and/or remote location use. As shown in **FIG. 19**, a preferred embodiment of the wind generator system **100** is illustrated whereby the housing **110, 210**, includes stand, rack mounting structures **238** for equipment, such as electrical equipment, battery systems, and the like. In another preferred embodiment, a portion of the exhaust airflow can be diverted, such as by vents or stators, to provide cooling for such equipment.

Referring to **FIGS. 20** and **21**, another preferred embodiment of the invention comprises an energy enhancer element **300** in the form of a wire or band **302** formed from a memory shaped alloy, such as a Nitinol. As shown, the wire or band **302** is placed around a first rotating wheel **304**, which is electrically coupled to a heating circuit (not shown), and a second larger wheel **306** coupled to the drive shaft **102**. When increased power is required, the heating circuit is activated causing the first rotating wheel **304** to heat. A portion of the wire or band **302** that is in contact with the first rotating wheel **304** is thereby heated bringing the memory shaped alloy above its transition temperature thereby creating a temperature differential along the wire or band **302** thereby shortening the heated side of the wire or band **302** causing rotational force to be applied to the second larger wheel **306** and drive shaft **102**.

Referring to **FIG. 22**, in another preferred embodiment of the wind generator system **100** further comprises an energy storage system **400**. Preferably, the energy storage system **400** is a mechanical energy storage system that eliminates the need for batteries and increases the efficiency of the system **100** by reducing loss of electricity such as through battery efficiencies and electrical resistance. One such energy storage system **400** is shown comprising a mechanical bellows **402** whereby rotational energy, such as that produced by rotation of drive shaft **102** is transferred such as by a mechanical coupling **404**, such as a gearbox or another conventional transfer mechanism, that moves a piston **408** to expand the bellows **402** to store the rotational energy as potential energy within the position of the bellows **402**. To retrieve the energy, the bellows **402** is allowed to compress or contract thereby moving the piston **408** to transfer the energy back through the mechanical coupling **404** to rotate the generator assembly **106**.

15 In another preferred embodiment of the invention as shown in **FIG. 23**, the energy storage system **400** is a hydraulic storage system whereby rotational energy, such as that produced by rotation of drive shaft **102** is transferred such as by a mechanical coupling **404** to a hydraulic cylinder **410** such that a piston **408** operates to transfer fluid **412** from a pressurization reservoir **414** to the hydraulic cylinder **410** to store the rotational energy as potential energy. To retrieve the energy, the pressurized fluid within the hydraulic cylinder **410** is allowed to compress or contract thereby moving the piston **408** to transfer the energy back through the mechanical coupling **404** to rotate the generator assembly **106**.

It should be understood that the energy storage system **400**, may comprise any combination of hydraulic systems, bellows systems, and battery systems. Such systems can be used together or in banks whereby conventional mechanical switches between individual storage systems  
5 operate to transfer potential energy between systems.

It should now be understood to those skilled in the art that the wind generator system of the present application is easily constructed in modular form thereby reducing the time and cost needed to make repairs to the system. For the use of performance monitors and sensors reduces  
10 maintenance requirements and increases efficiency. Further, the wind generator system of the present application reduces the likelihood of damage resulting from high wind speeds often encountered by small wind generator systems without the need of relatively complex and expensive blade pitching devices, airfoil spoilers, blade tip breaks, braking means, and the like.

15 Further, it should also now be understood to those skilled in the art that the wind generator system of the present application is relatively acoustically quiet and aesthetically pleasing making them desirable for many residential applications.

It should also now be understood to those skilled in the art that the  
20 wind generator system of the present application can be used in a variety of applications. Systems can be incorporated into the exterior design of a structure, such as a building, such as along the roof, or as part of its landscaping, such as decorative structures. Further systems can be easily placed at locations having natural wind currents, such as between building  
25 structures or walls that operate as wind tunnels. By artistically or

architecturally designing the housing, the wind generator system can be easily incorporated into an existing or future structure designs.

Although the foregoing invention has been described in some detail for purposes of clarity of understandings, it will be apparent that certain changes  
5 and modifications may be practiced within the scope of any claims. It should now be apparent that the various embodiments presented can be easily modified while keeping within the scope and spirit of the subject invention. Accordingly, it should be understood that the present disclosure is to be considered as exemplary of the principals of the invention and is not intended  
10 to limit the invention to the embodiments and the specific examples illustrated and the invention is not to be limited to the details given herein, but may be modified within the scope and equivalents of the descriptions and examples contained herein.

15

**CLAIMS**

1. A wind generator system comprising:

a rotor mounted to a drive shaft;

one or more blades attached to said rotor and extending radially

5 outwardly from said rotor;

a generator assembly coupled to said drive shaft and effective  
for generating electrical power; and

a housing having an inner chamber for receiving said rotor and  
said one or more blades and a wind directional apparatus that operates to  
10 adjust wind speed and to channel the wind into a desired flow pathway  
towards said one or more blades.

2. The wind generator system of Claim 1 further comprising

means for sensing the direction and speed of wind at the location of said

15 housing.

3. The wind generator system of Claim 1 further comprising

sensing means for monitoring the electrical power output of the wind  
generator system.

20

4. The wind generator system of Claim 1 further comprising

sensing means for monitoring the operational efficiency of the wind generator  
system.

25

5. The wind generator system of Claim 2 further comprising communication and control means coupled to said sensing means and whereby said communication and control means can communicate with an outside monitoring system.

5

6. The wind generator system of Claim 5 whereby said communication and control means of one wind generator system can communicate with said communication and control means of another wind generator system.

10

7. The wind generator system of Claim 1 wherein each of said blades comprises an aerodynamic adjustment element for adjusting the aerodynamic characteristic of each of said blades.

15

8. The wind generator system of Claim 7 wherein said aerodynamic element is a thin film substrate.

9. The wind generator system of Claim 7 wherein said aerodynamic element is a metallic coating substrate.

20

10. The wind generator system of Claim 7 wherein said aerodynamic element is formed from a shaped memory alloy.

11. The wind generator of Claim 10 wherein said shaped memory alloy is Nitinol.

25

**12.** The wind generator of Claim 1 further comprises a pulley apparatus having a loop and is coupled to said drive shaft; and means for creating a temperature differential along a portion of said loop; wherein said  
5 loop is effective for increasing the rotational speed of said drive shaft when acted upon by said means for creating a temperature differential along a portion of said loop.

**13.** The wind generator of Claim 12 wherein said loop is formed  
10 from a shaped memory alloy.

**14.** The wind generator system of Claim 1 wherein said blades comprises a photovoltaic substrate operable for generating electrical power.

**15.** The wind generator system of Claim 14 wherein said  
15 photovoltaic substrate operates in response to infrared light.

**16.** The wind generator system of Claim 1 wherein said wind directional apparatus comprises a plurality of rotatable slats.

**17.** A wind generator system comprising:  
at least two rotors mounted to a drive shaft;  
each rotor having a plurality of blades attached thereto and  
extending radially outwardly from said rotor;  
5 a generator assembly coupled to said drive shaft and effective  
for generating electrical power; and  
a housing having an inner chamber for receiving each said rotor  
and said plurality of blades and a wind directional apparatus that operates to  
adjust wind speed and to channel the wind into a desired flow pathway  
10 towards said plurality of blades.

**18.** The wind generator system of Claim 17 wherein said wind  
directional apparatus comprises a plurality of rotatable slats.

15 **19.** The wind generator system of Claim 18 wherein said slats  
comprises images thereon that change when said slats rotate.

**20.** The wind generator system of Claim 17 further comprising  
means for sensing the direction and speed of wind at the location of said  
20 housing.

**21.** The wind generator system of Claim 17 further comprising  
sensing means for monitoring the electrical power output of the wind  
generator system.

25

**22.** The wind generator system of Claim 17 further comprising sensing means for monitoring the operational efficiency of the wind generator system.

5           **23.** The wind generator system of Claim 17 wherein each of said blades comprises an aerodynamic adjustment element for adjusting the aerodynamic characteristic of each of said blades.

10           **24.** The wind generator system of Claim 23 wherein said aerodynamic element is a thin film substrate.

**25.** The wind generator system of Claim 23 wherein said aerodynamic element is a metallic coating substrate.

15           **26.** The wind generator system of Claim 23 wherein said aerodynamic element is formed from a Nitinol (NiTi) alloy.

**27.** The wind generator system of Claim 17 wherein said blades comprises a photovoltaic substrate operable for generating electrical power.

20

**28.** The wind generator system of Claim 27 wherein said photovoltaic substrate operates in response to infrared light.

**29.** The wind generator system of Claim 21 further comprising communication and control means coupled to said sensing means and whereby said communication and control means can communicate with an outside monitoring system.

5

**30.** The wind generator system of Claim 29 whereby said communication and control means of one wind generator system can communicate with said communication and control means of another wind generator system.

10

1/23

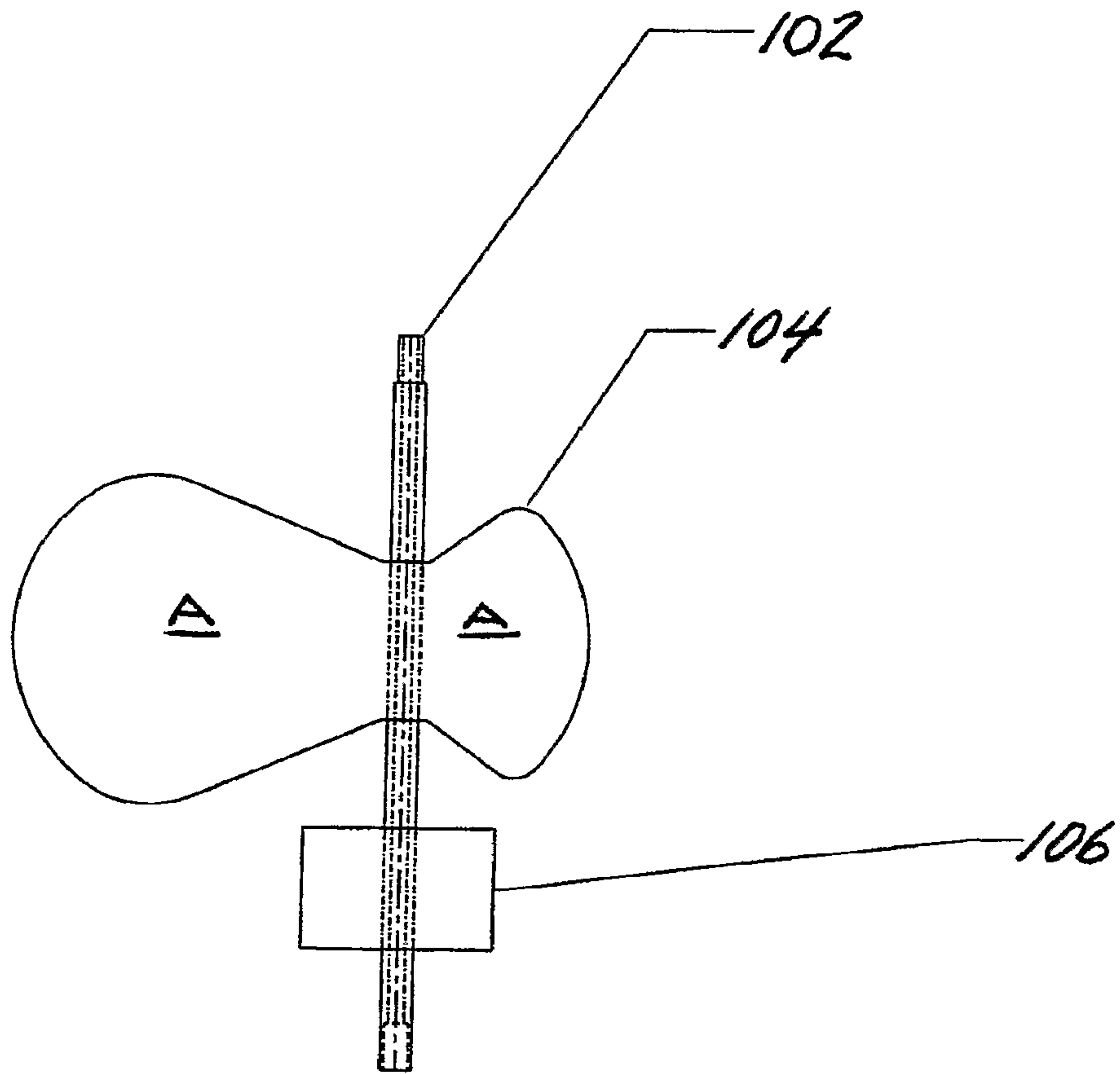


FIG. 1

2/23

FIG. 2

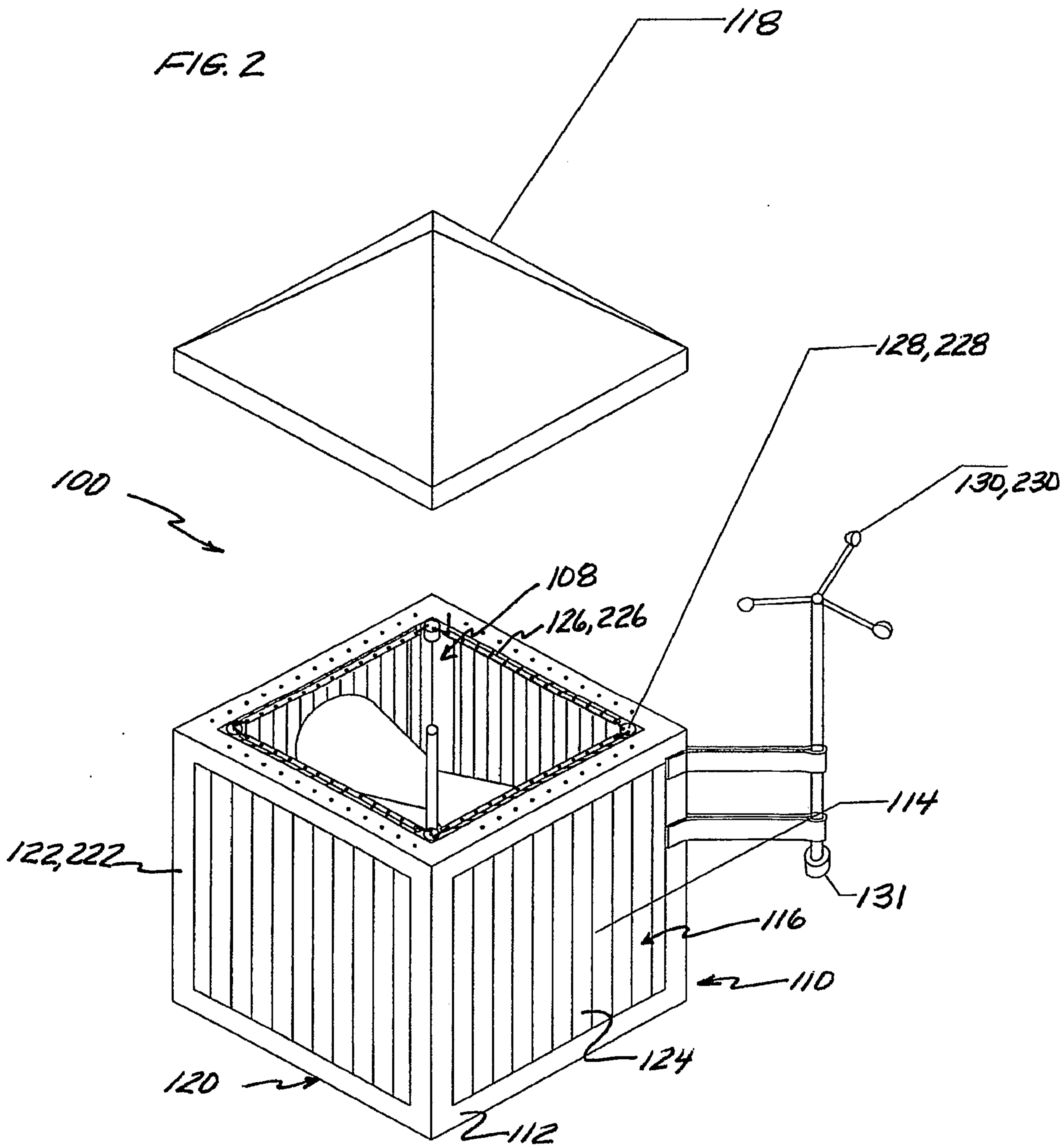
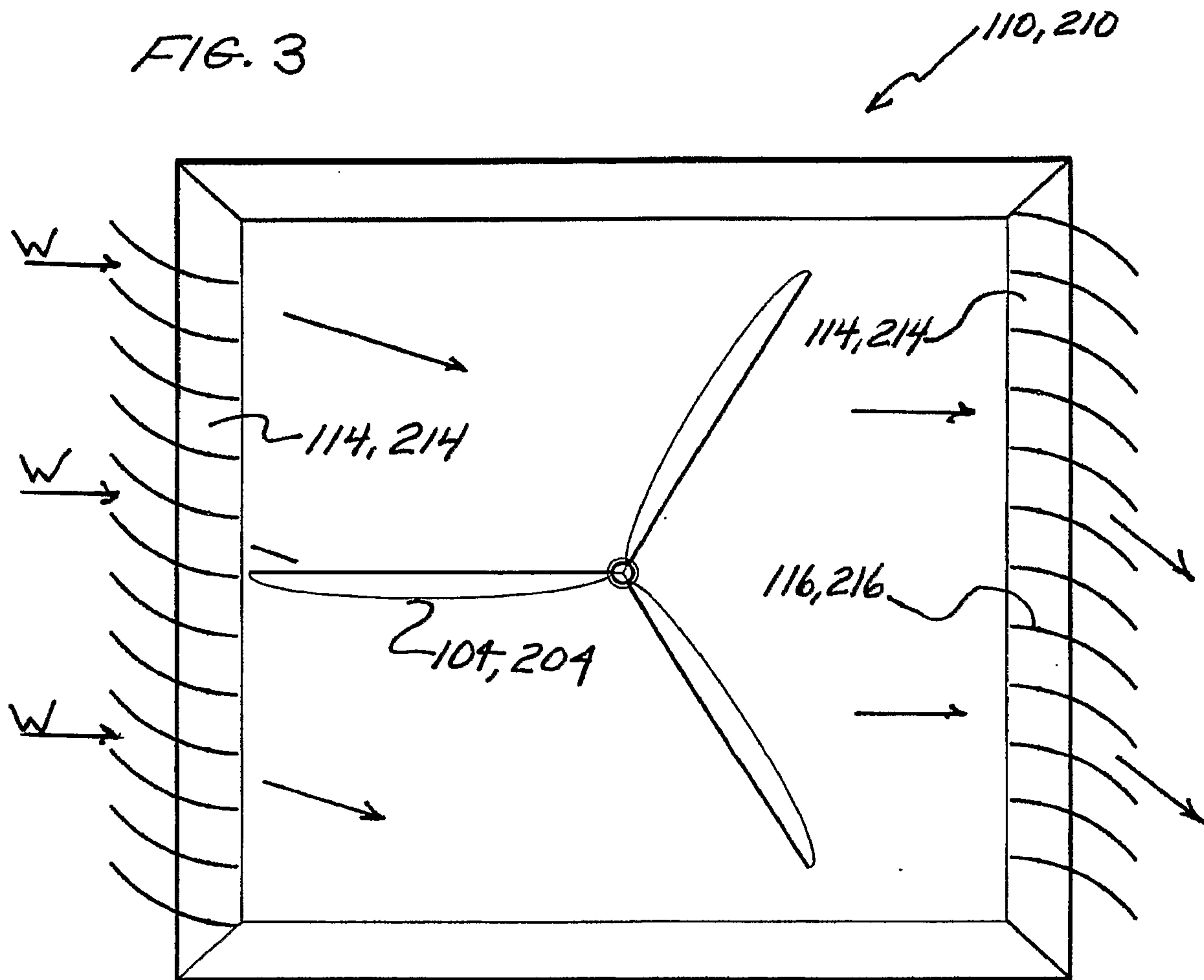
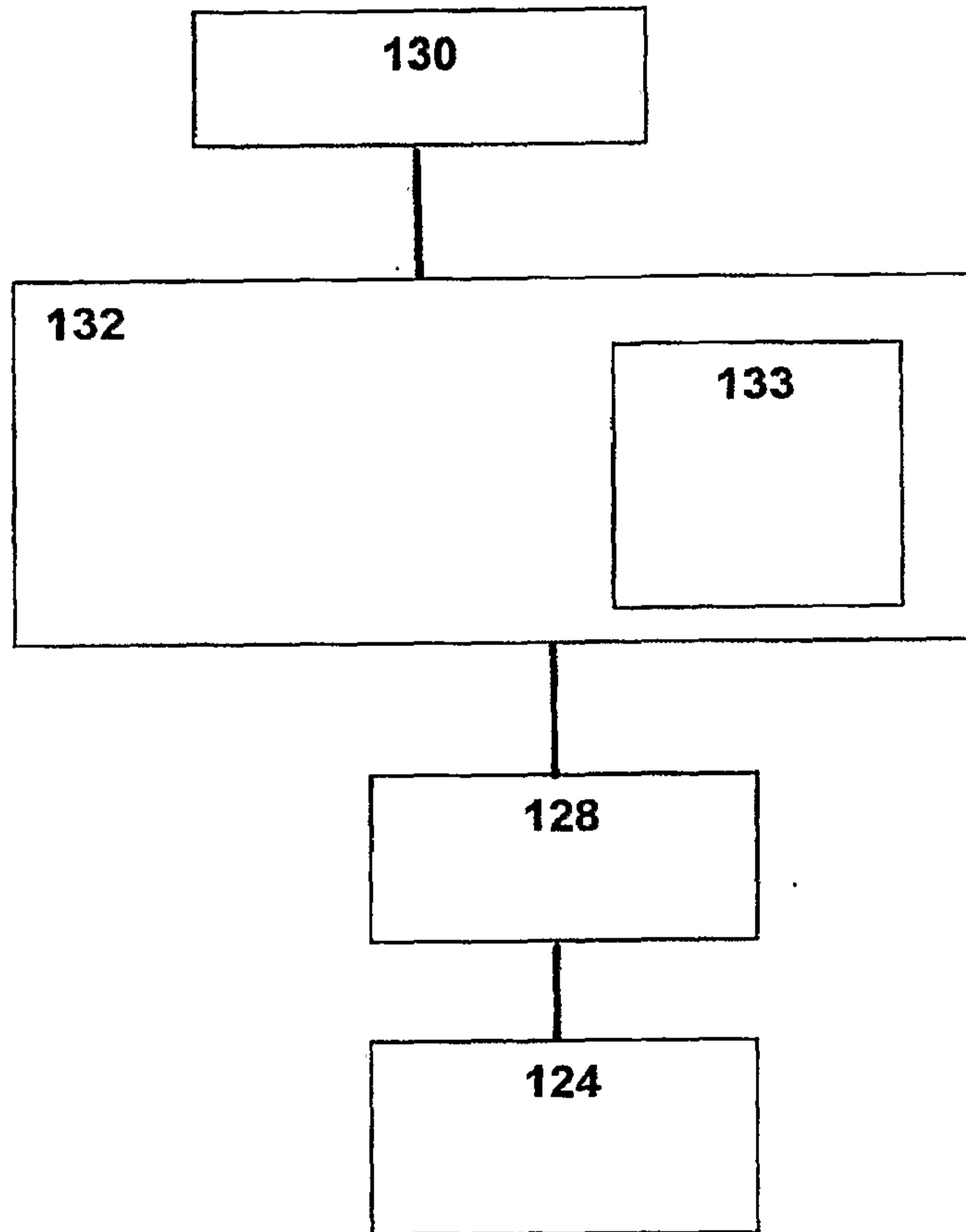


FIG. 3



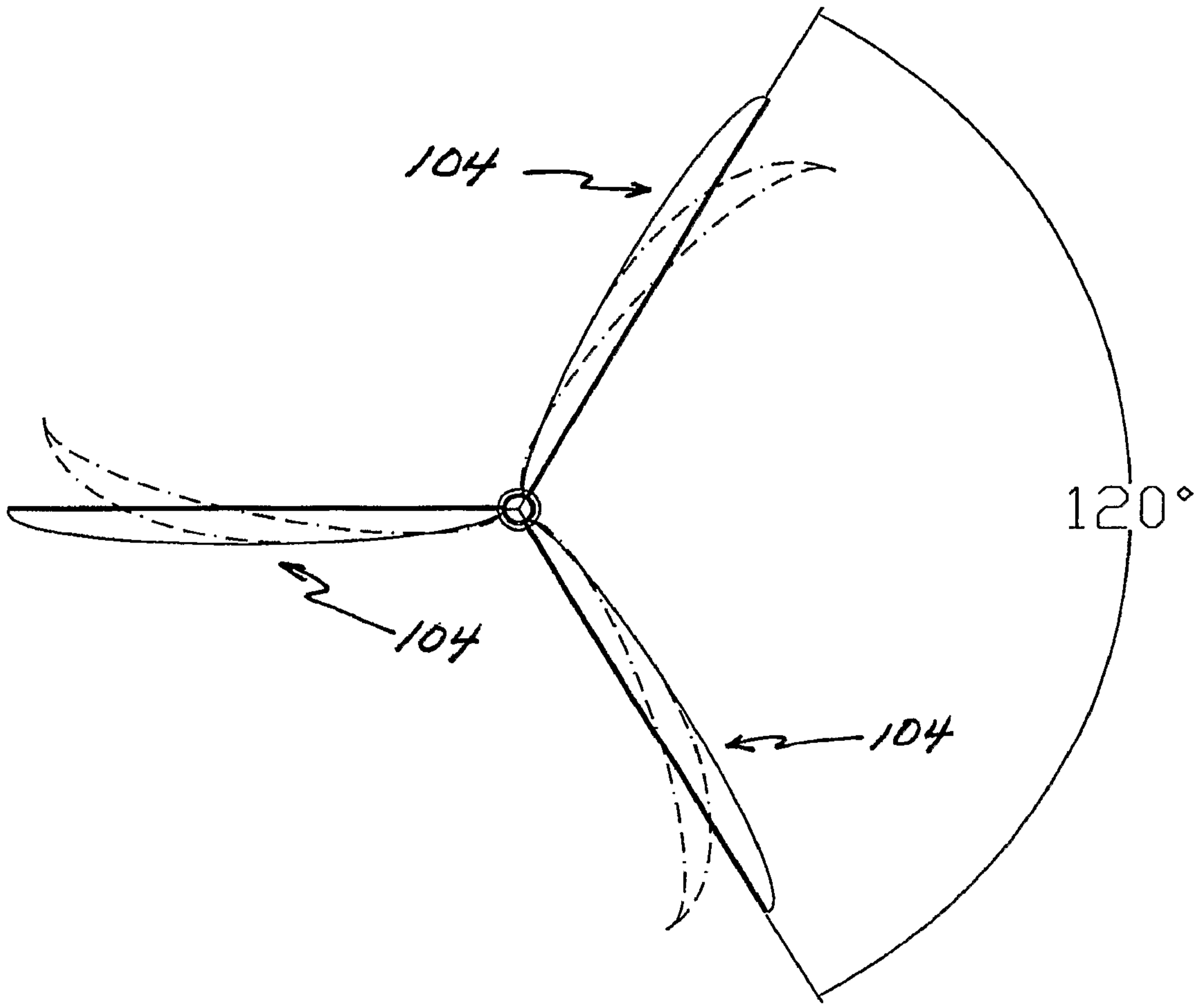
4/23

FIG. 4



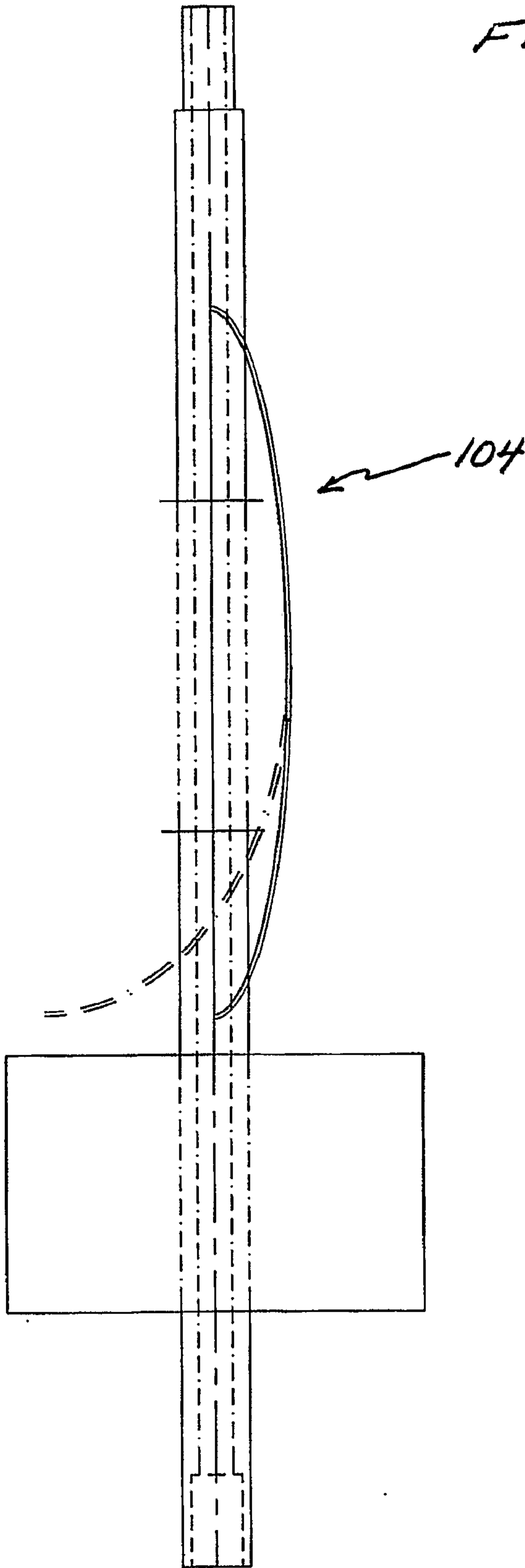
5/23

FIG. 5



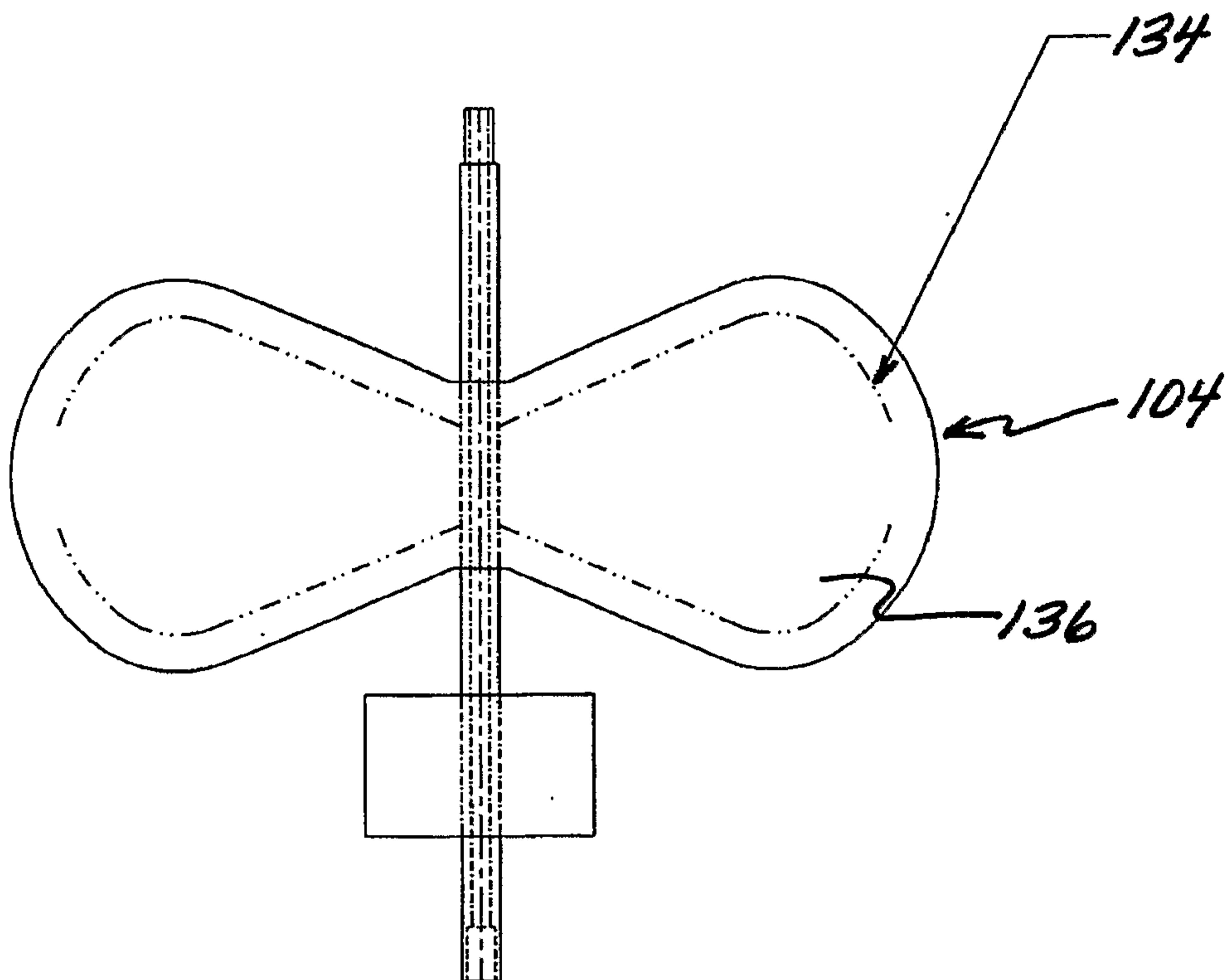
6/23

FIG. 6



7/23

FIG. 7



8/23

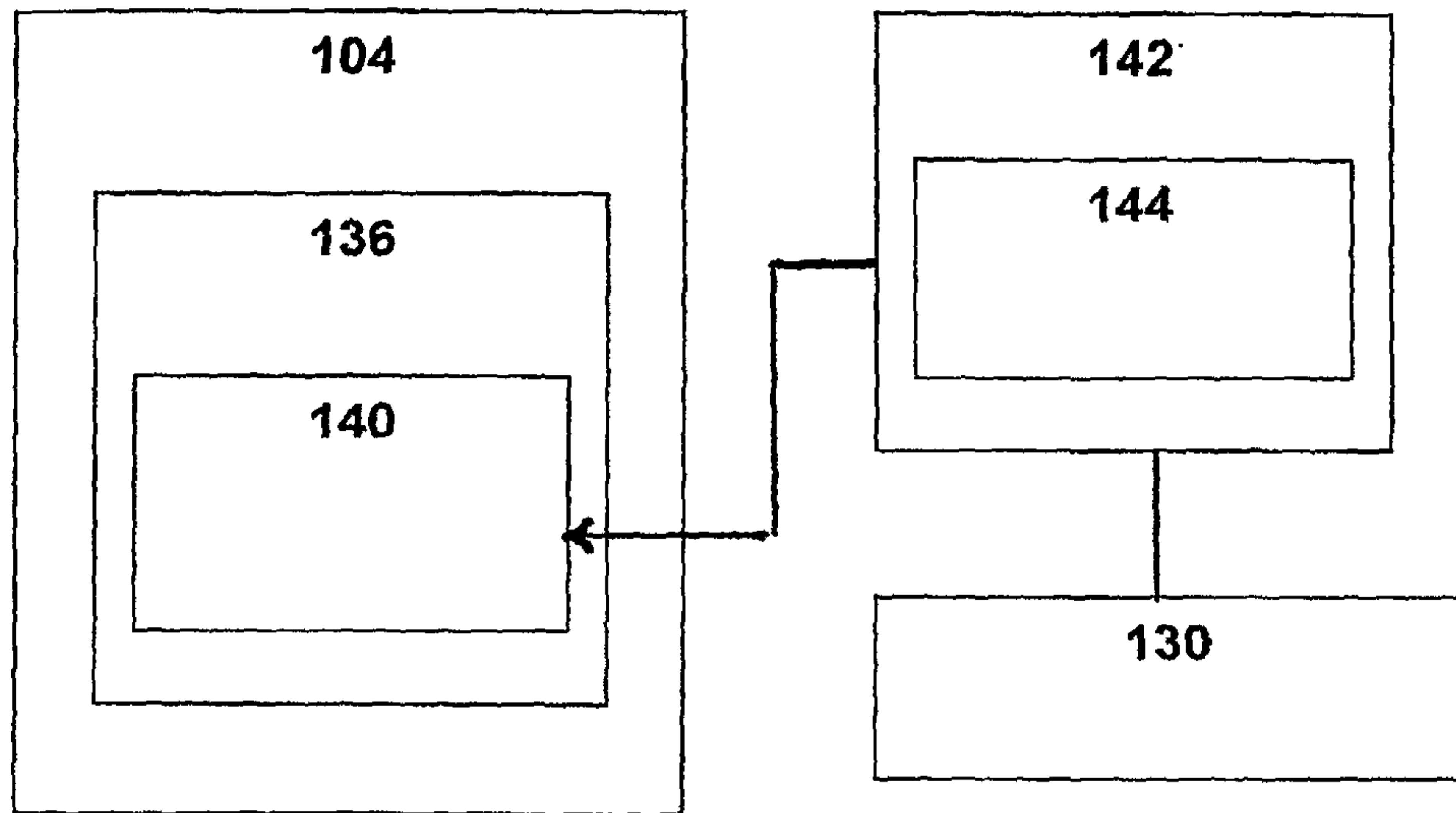
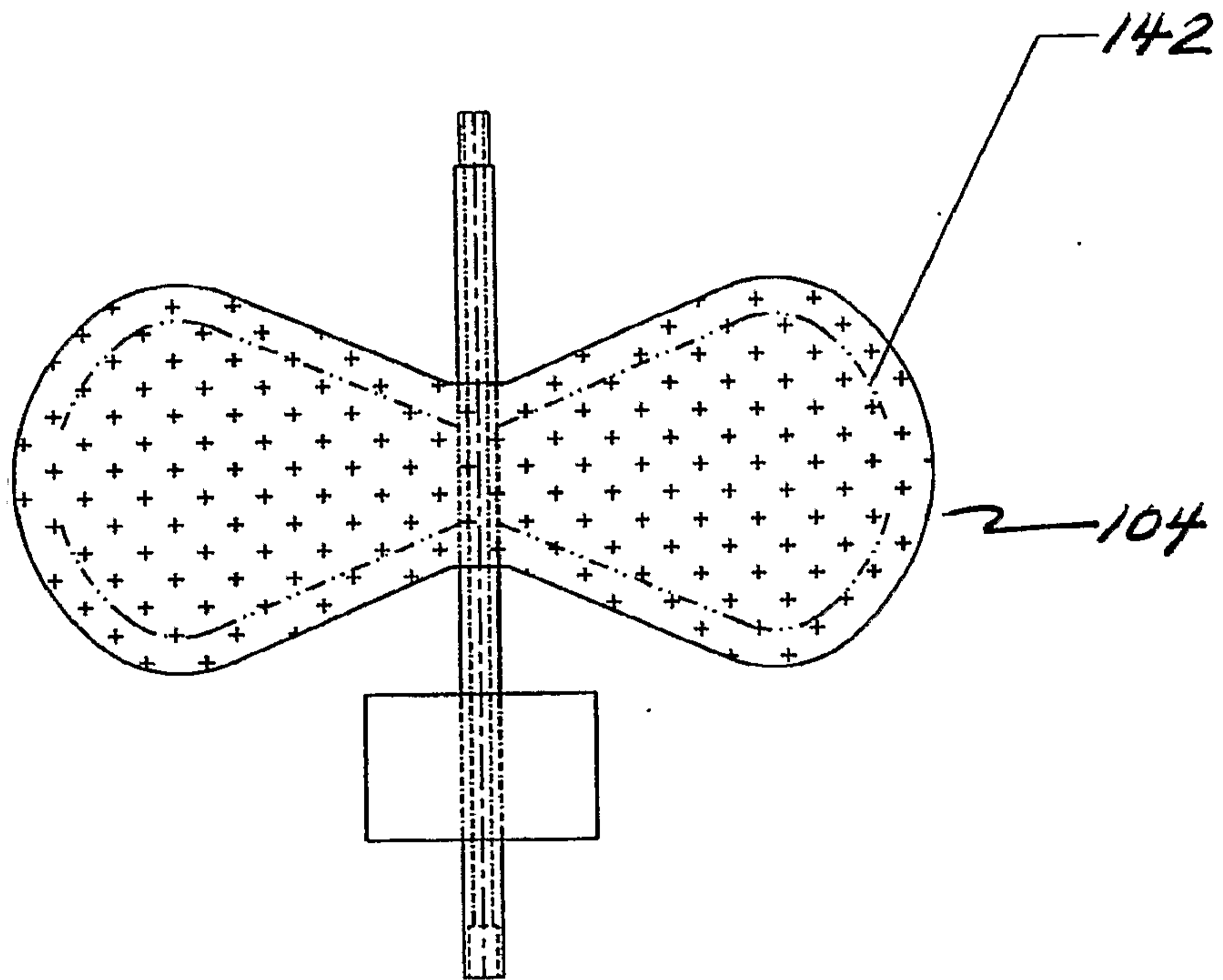


FIG. 8

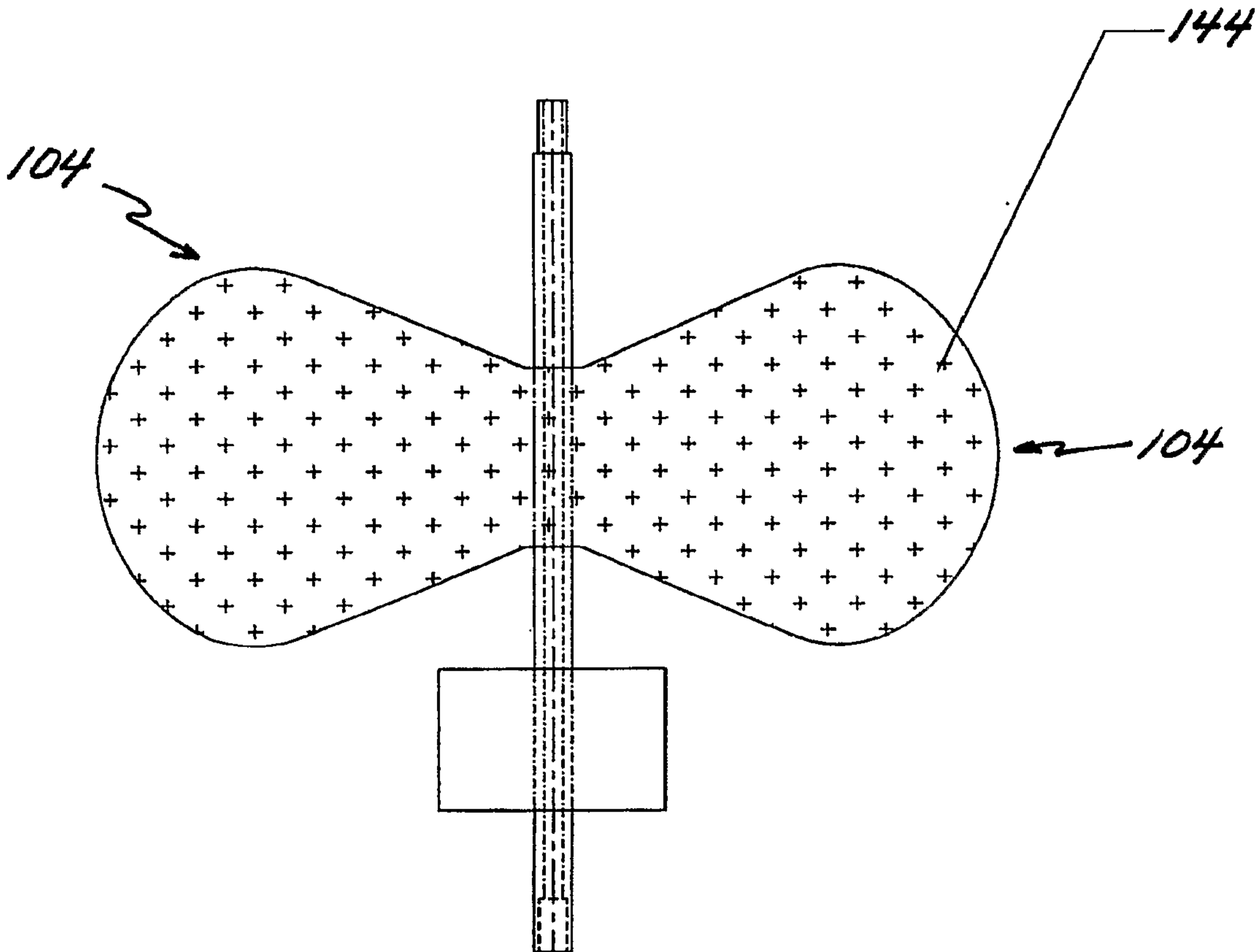
9/23

FIG. 9



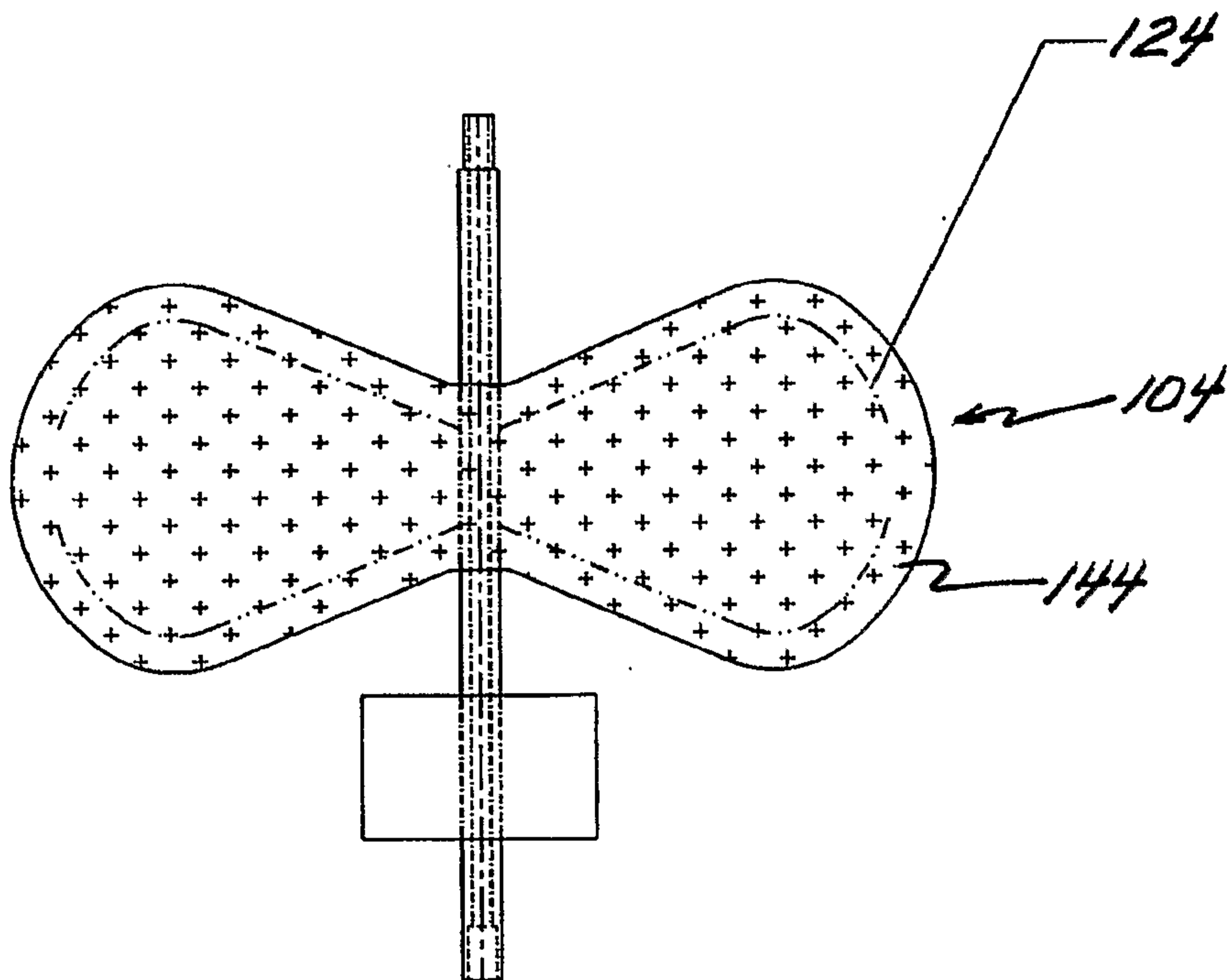
10/23

FIG. 10



11/23

FIG. 11



12/23

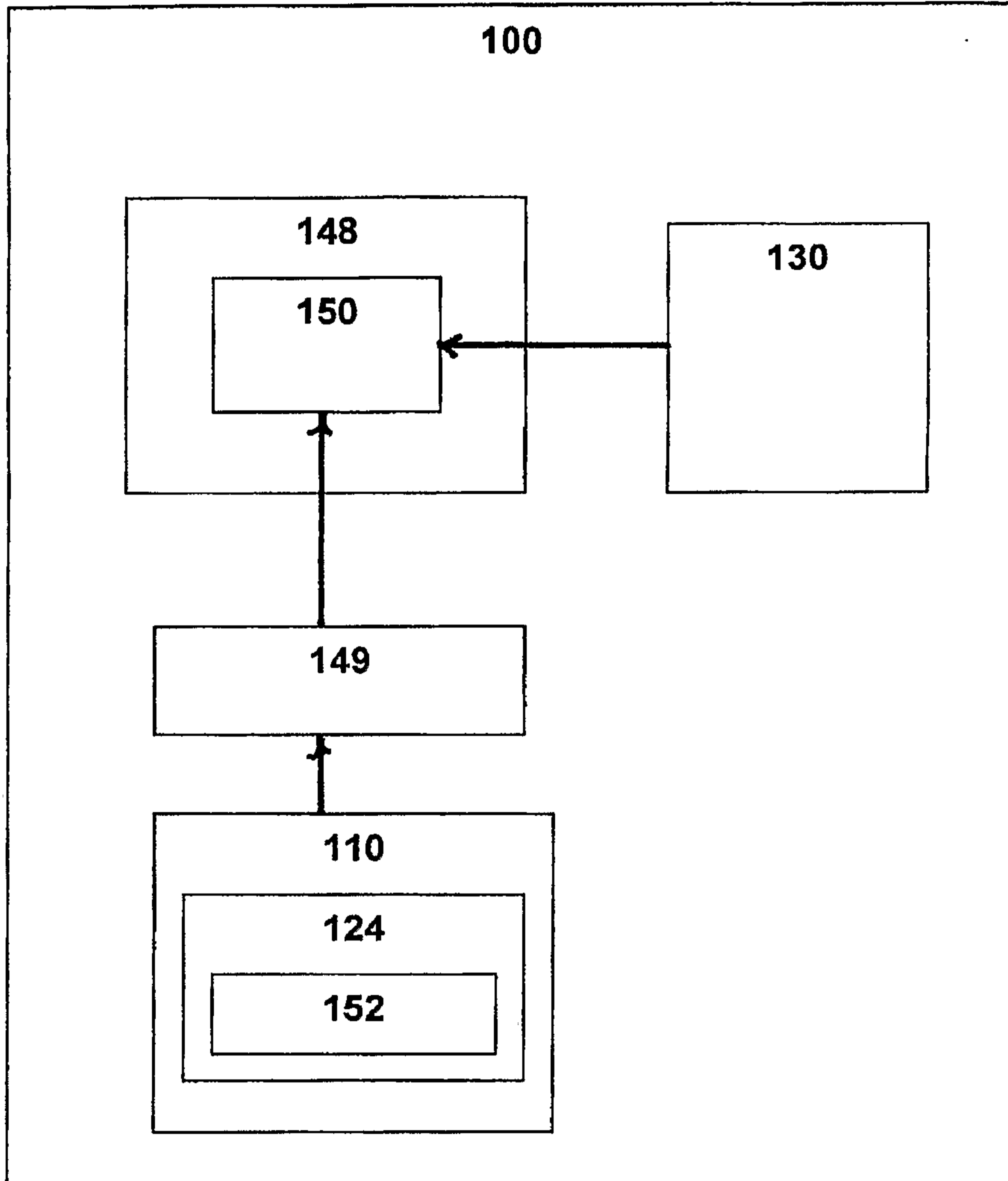


FIG. 12

13/23

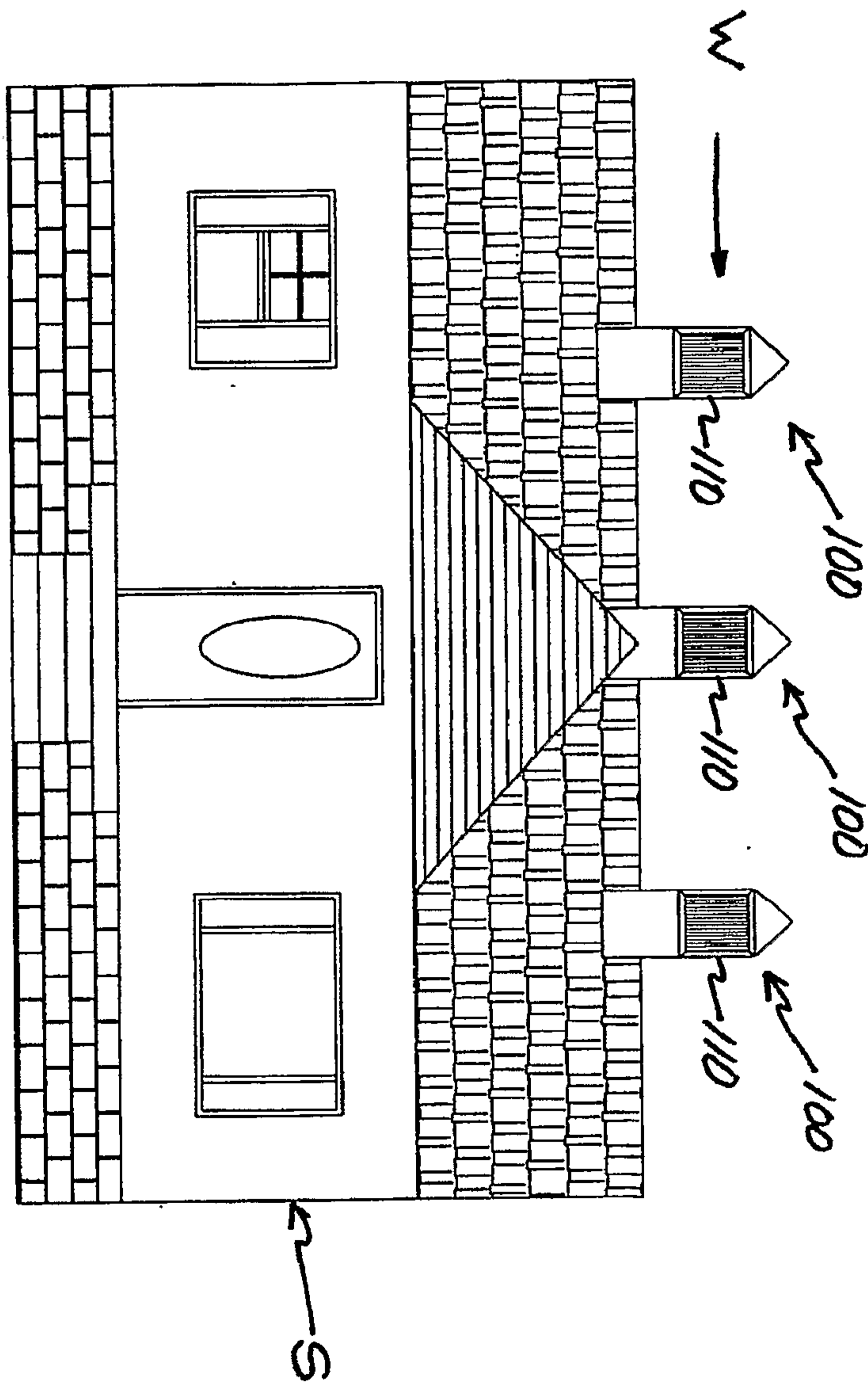
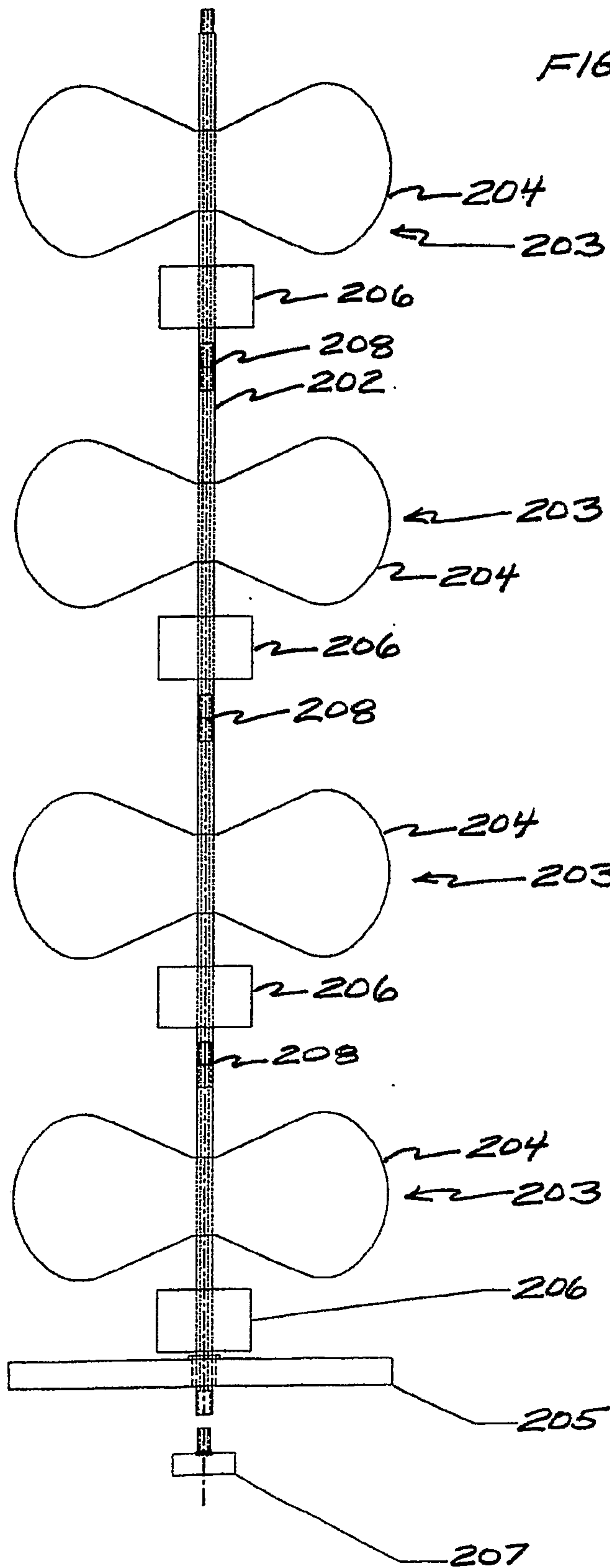


FIG. 13

14/23

FIG. 14



15/23

FIG. 15

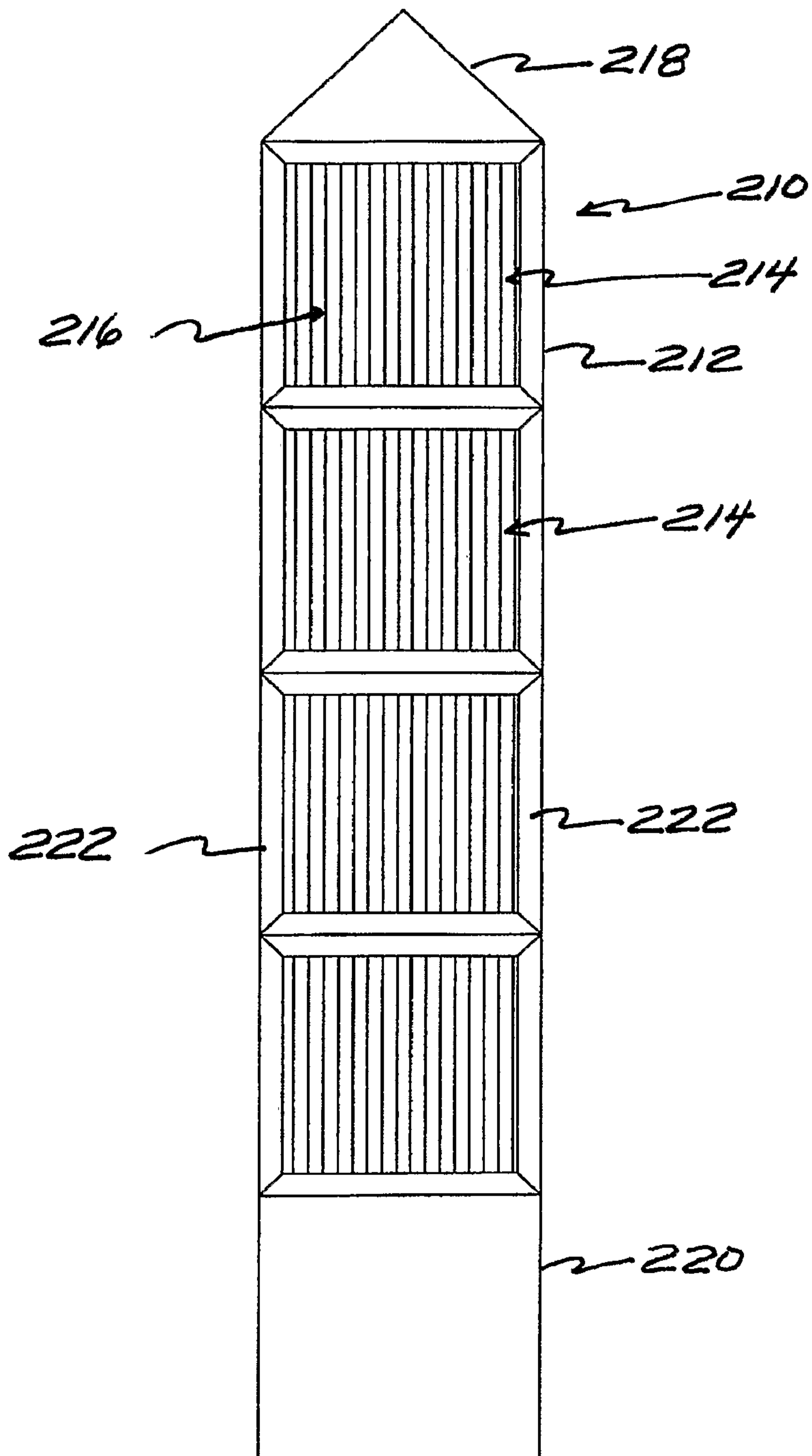
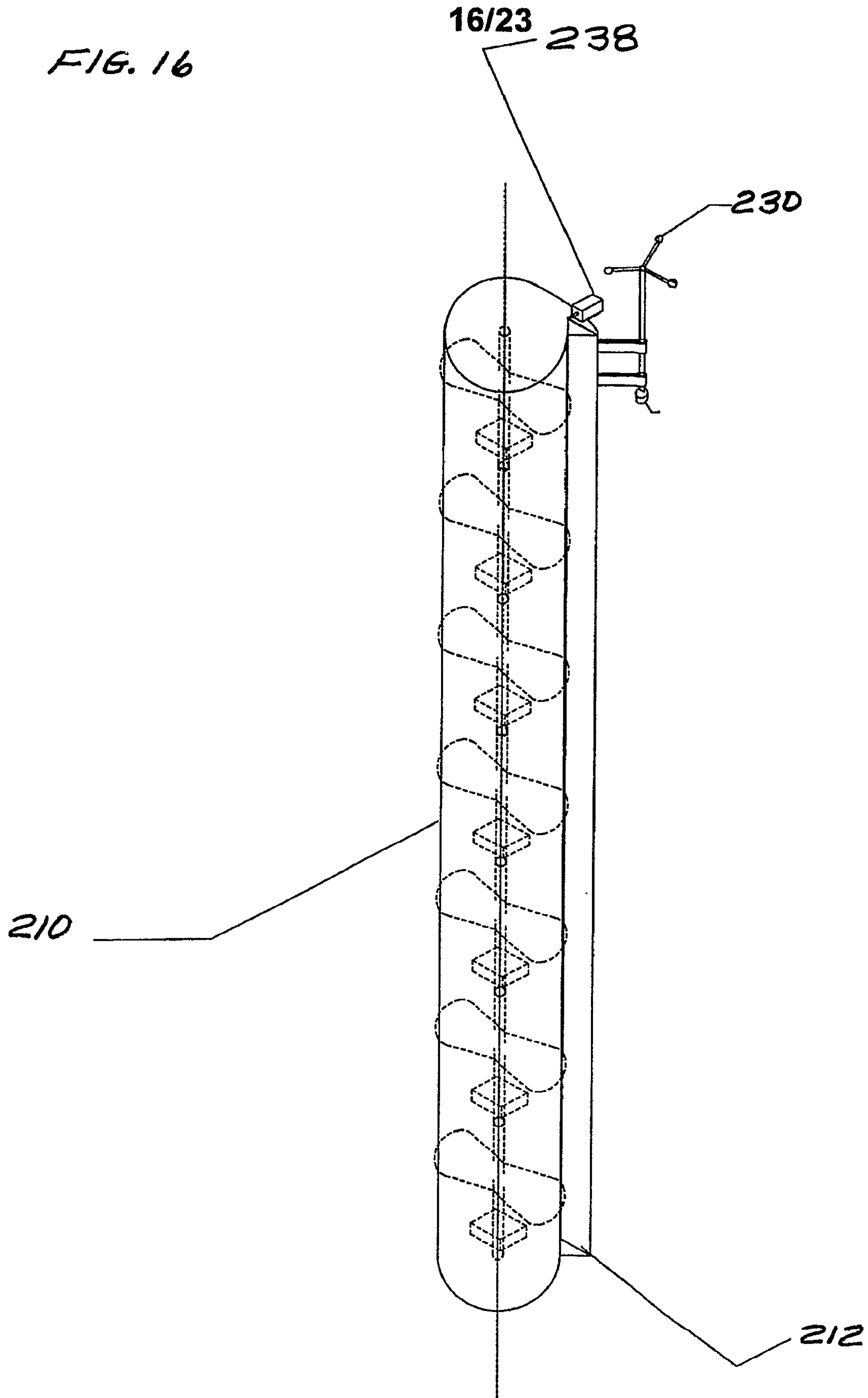


FIG. 16



17/23

FIG. 17

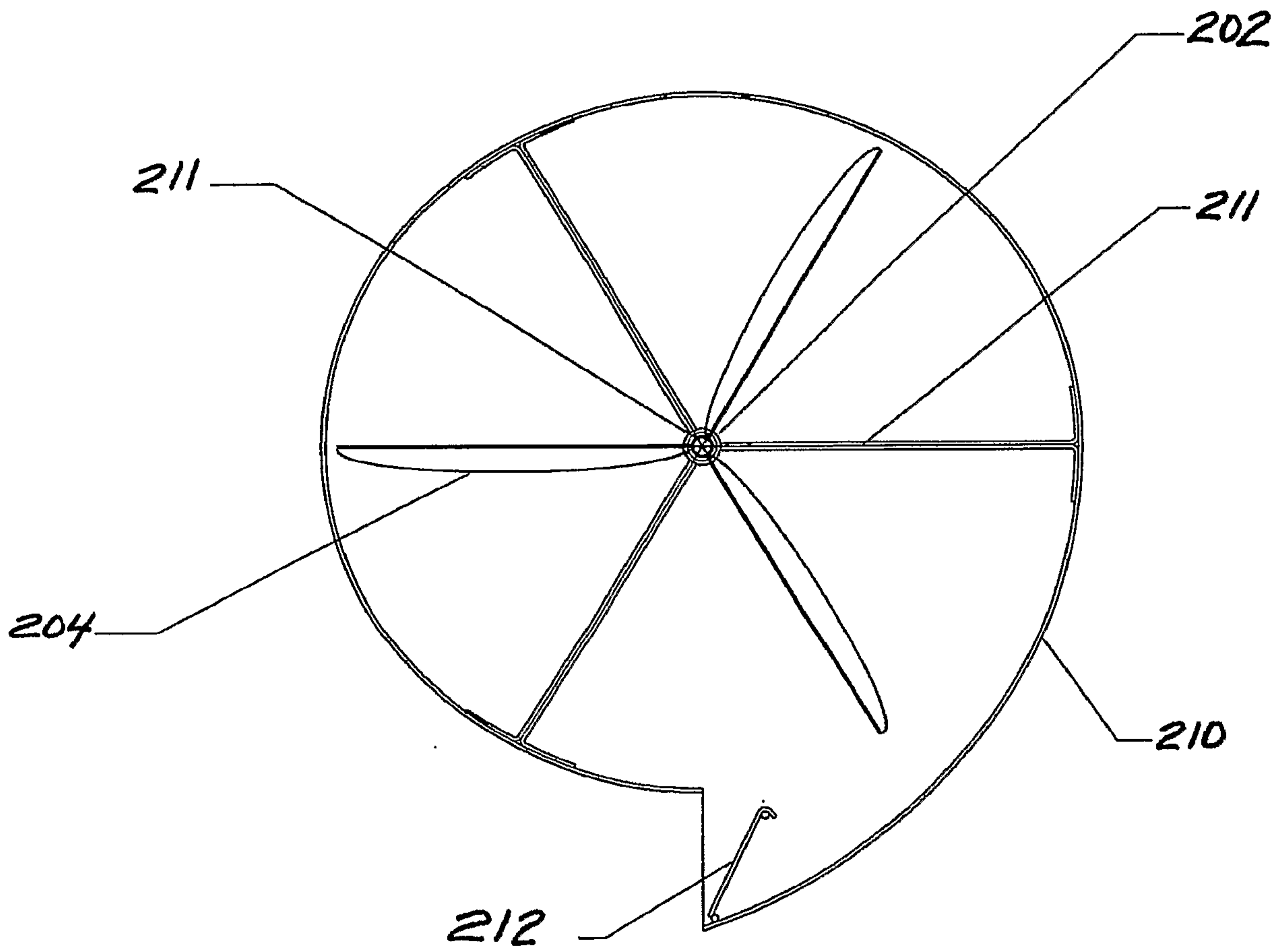
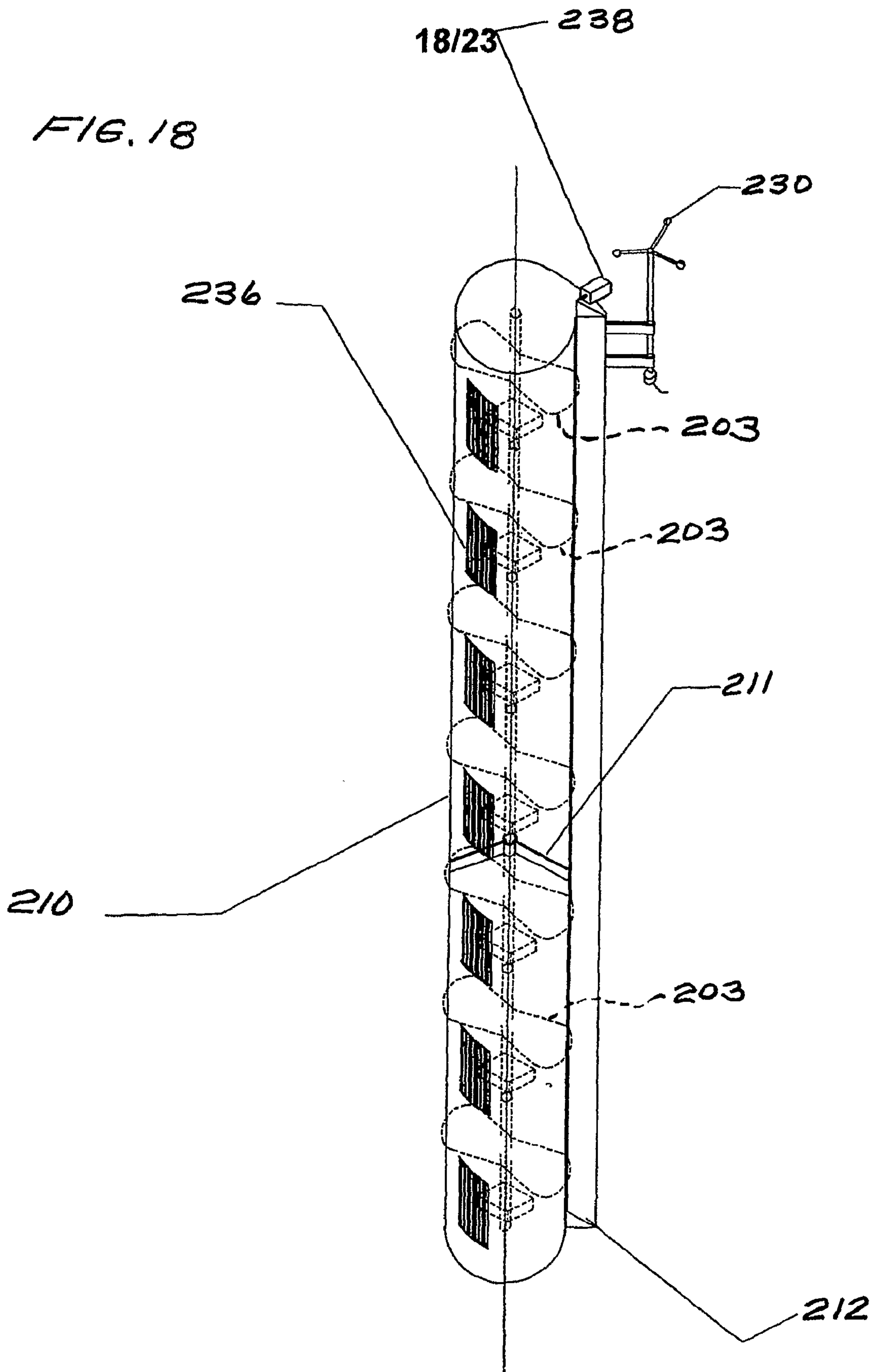


FIG. 18



19/23

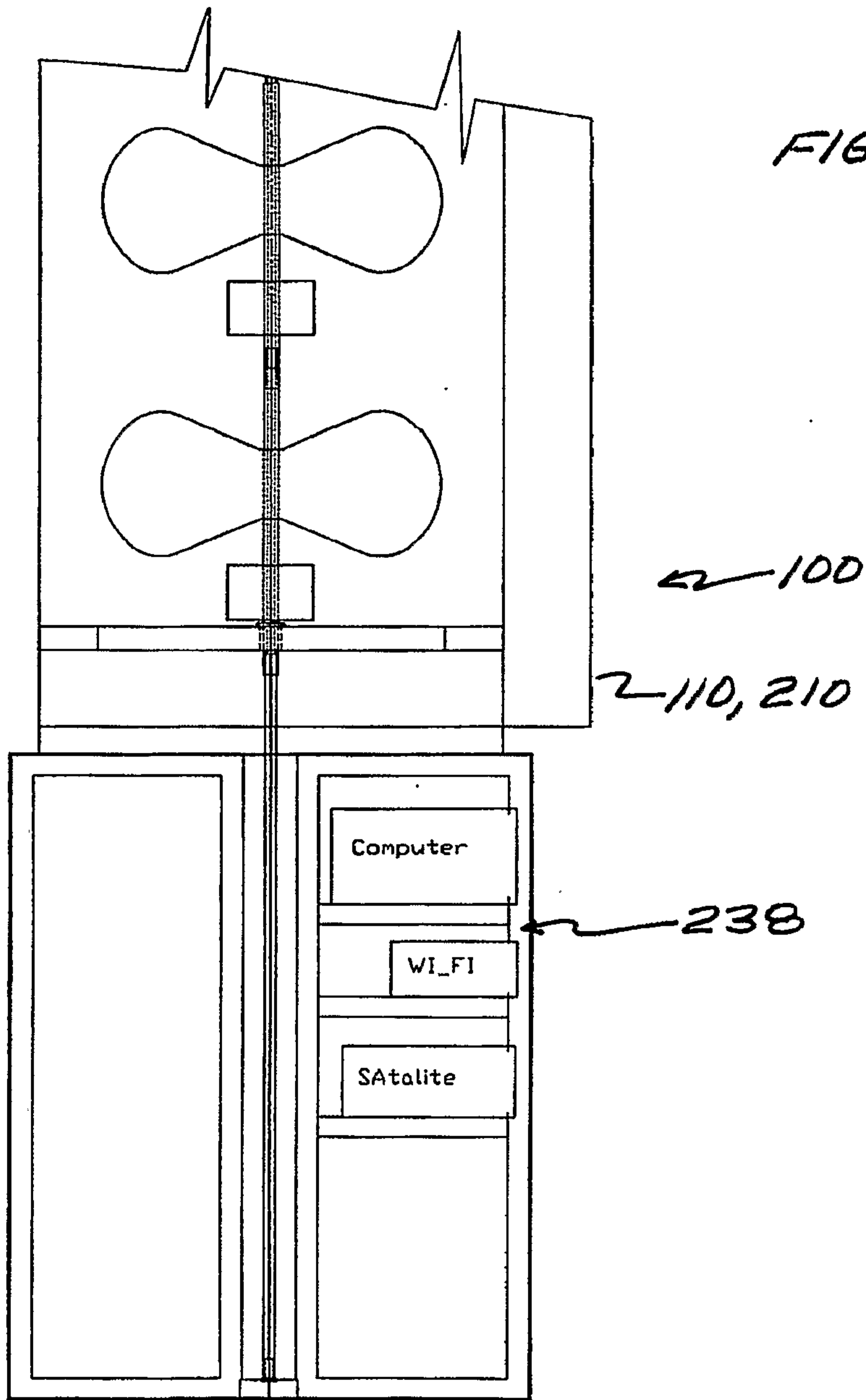
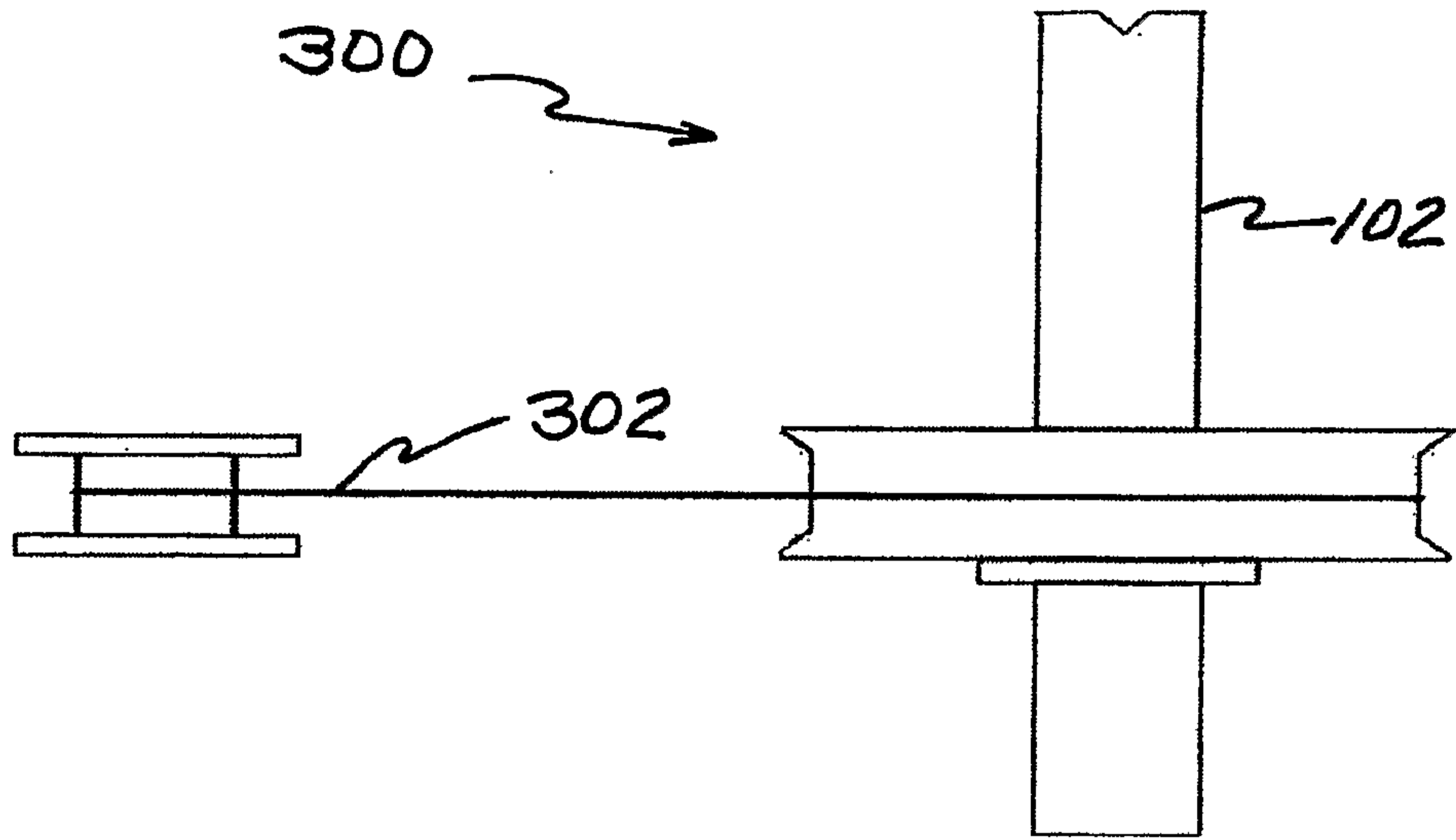


FIG. 19

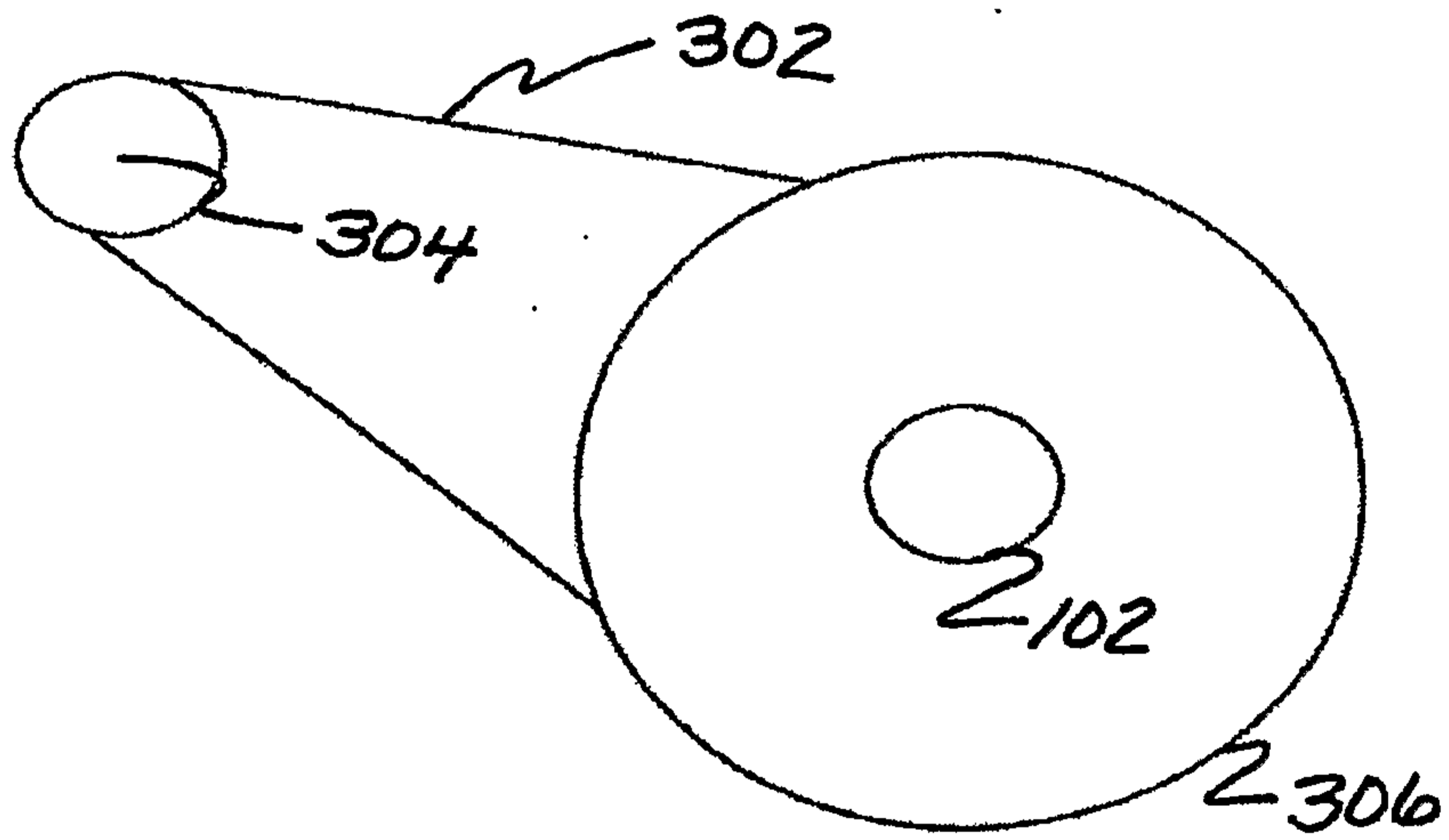
20/23

FIG. 20



21/23

FIG. 21



22/23

FIG. 22

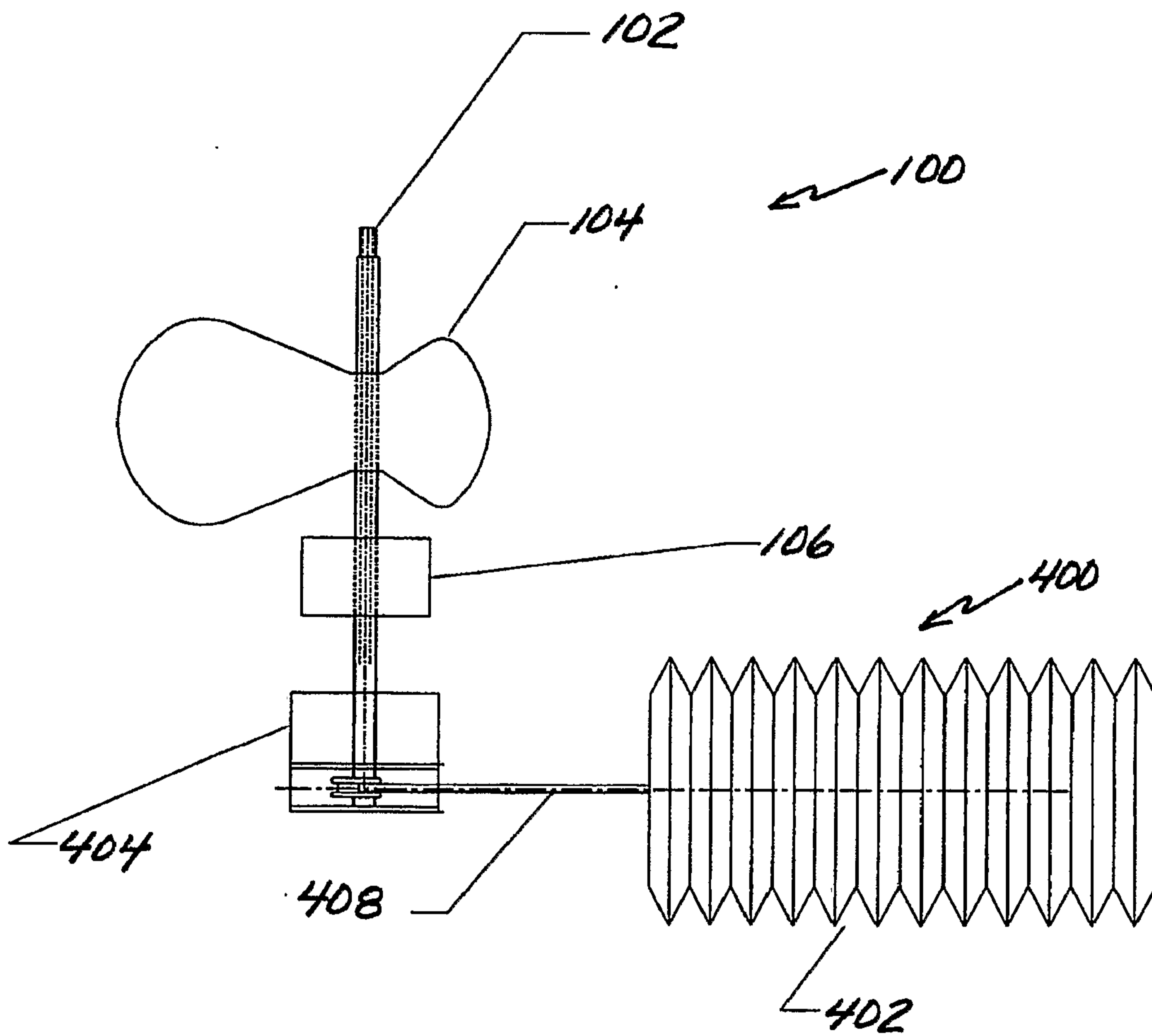


FIG. 23

