



US00D548347S

(12) **United States Design Patent**
Ichino et al.

(10) **Patent No.:** **US D548,347 S**

(45) **Date of Patent:** **** Aug. 7, 2007**

(54) **DEVICE FOR MEASURING CONSTITUENTS IN THE BLOOD**

(75) Inventors: **Moriyasu Ichino**, Osaka (JP);
Toshifumi Hosoya, Osaka (JP);
Kazuhiro Kuwa, Osaka (JP);
Nobuyuki Matsumura, Osaka (JP);
Isao Karube, Ibaraki (JP); **Masao Gotoh**, Ibaraki (JP); **Hideaki Nakamura**, Ibaraki (JP); **Tomoko Ishikawa**, Ibaraki (JP)

(73) Assignees: **Sumitomo Electric Industries, Ltd.**, Osaka (JP); **National Institute of Advanced Industrial Science and Technology**, Tokyo (JP)

(**) Term: **14 Years**

(21) Appl. No.: **29/253,418**

(22) Filed: **Feb. 7, 2006**

(30) **Foreign Application Priority Data**

Aug. 8, 2005 (JP) 2005-023016

(51) **LOC (8) CL.** **24-01**

(52) **U.S. CL.** **D24/186**

(58) **Field of Classification Search** D24/169,
D24/183-187, 216-234; 422/56, 58, 61,
422/67, 68.1, 102, 104; 436/46, 50, 55; 600/309,
600/318, 322, 368, 583; D10/81, 104
See application file for complete search history.

(56) **References Cited**

U.S. PATENT DOCUMENTS

D371,198 S * 6/1996 Savage et al. D24/169

D393,313 S * 4/1998 Meisner et al. D24/169
D406,895 S * 3/1999 Byrd et al. D24/169
D428,654 S * 7/2000 Schlesinger et al. D24/169
D429,527 S * 8/2000 Bolam et al. D24/169
D444,235 S * 6/2001 Roberts et al. D24/169
D473,310 S * 4/2003 Schlagheck et al. D24/169
D495,418 S * 8/2004 Rounds et al. D24/169
D496,461 S * 9/2004 Neel et al. D24/169
D499,805 S * 12/2004 D'Agostino D24/169
D502,655 S * 3/2005 Huang D10/81
D503,641 S * 4/2005 Huang D10/81
D522,657 S * 6/2006 Murphy et al. D24/186

* cited by examiner

Primary Examiner—Louis Zarfaz

Assistant Examiner—Mark Cavanna

(74) *Attorney, Agent, or Firm*—Greenblum & Bernstein, P.L.C.

(57) **CLAIM**

The ornamental design for a device for measuring constituents in the blood, as shown and described.

DESCRIPTION

FIG. 1 is a perspective view of the front, right and bottom of a device for measuring constituents in the blood showing our new design;

FIG. 2 is a top plan view thereof;

FIG. 3 is a front view thereof;

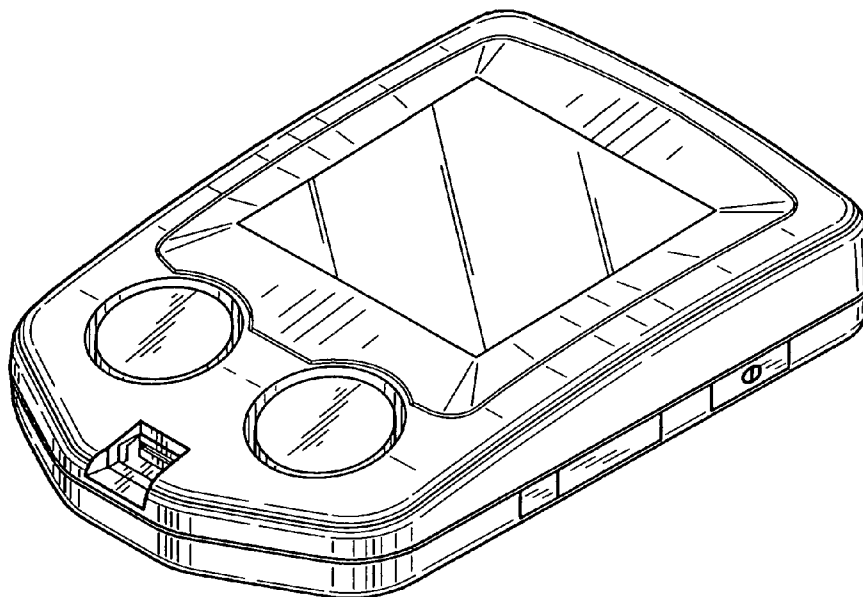
FIG. 4 is a rear view thereof;

FIG. 5 is a bottom view thereof;

FIG. 6 is a left side view thereof; and,

FIG. 7 is a right side view thereof.

1 Claim, 4 Drawing Sheets



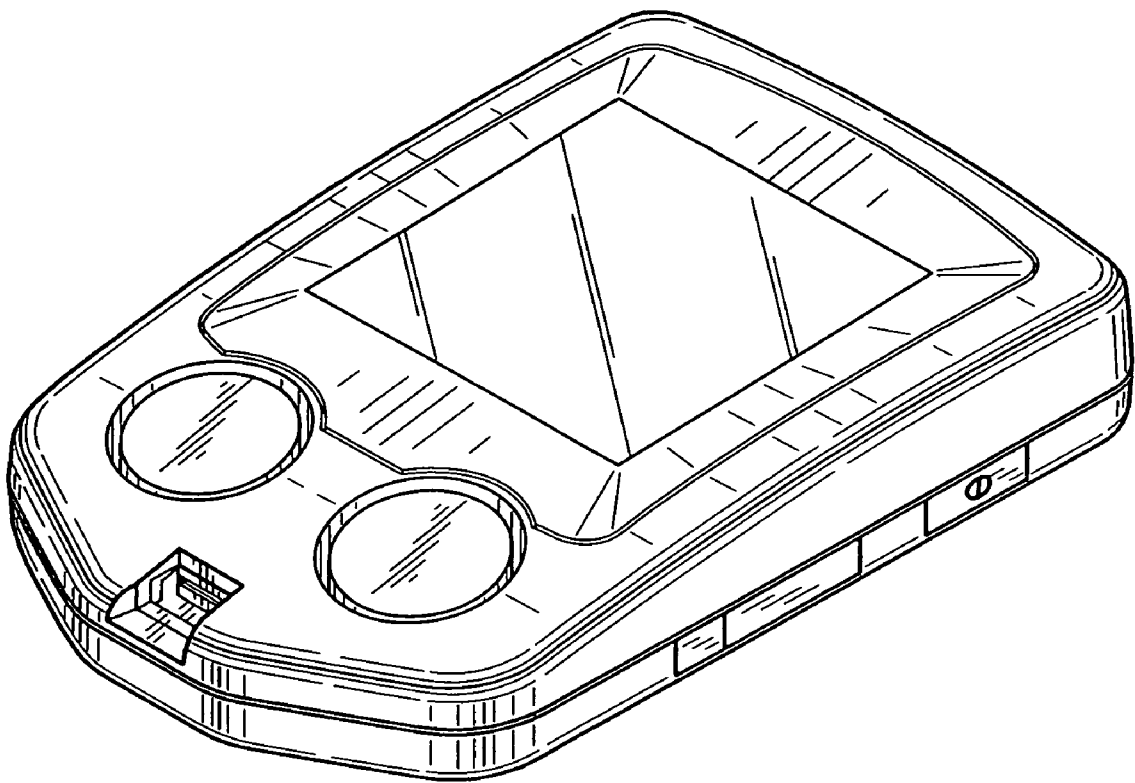


FIG. 1

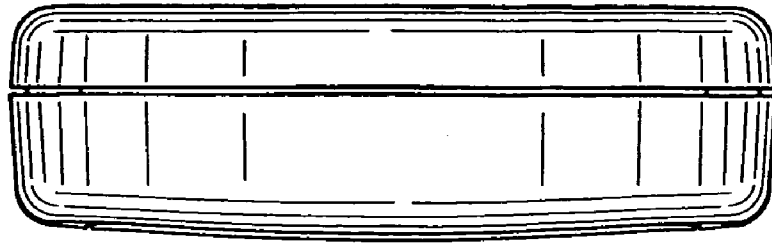


FIG. 2

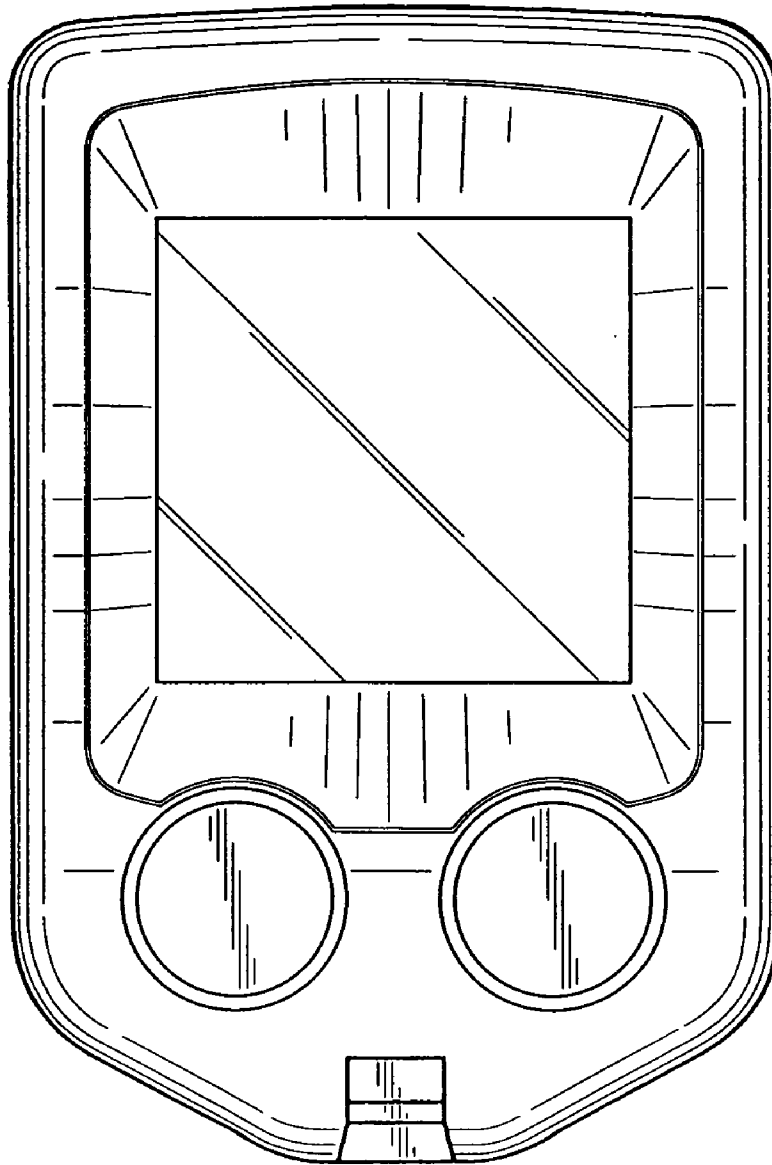


FIG. 3



FIG. 4

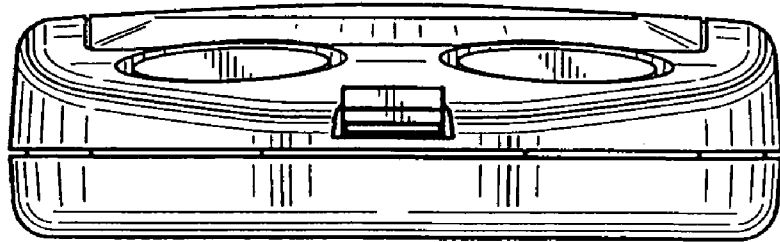


FIG. 5

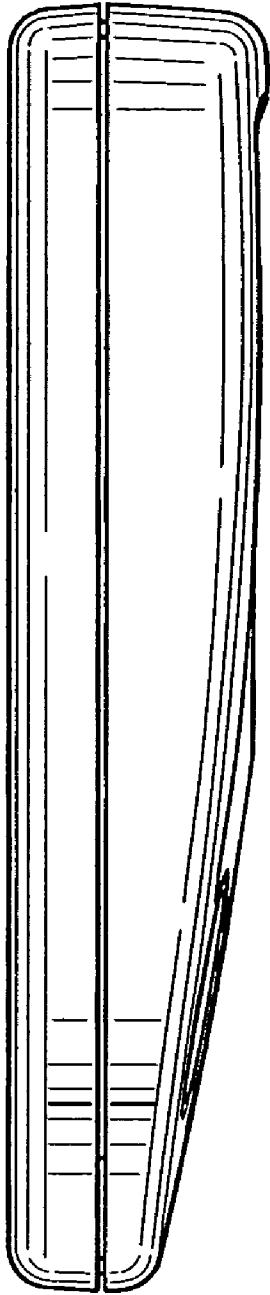


FIG. 6

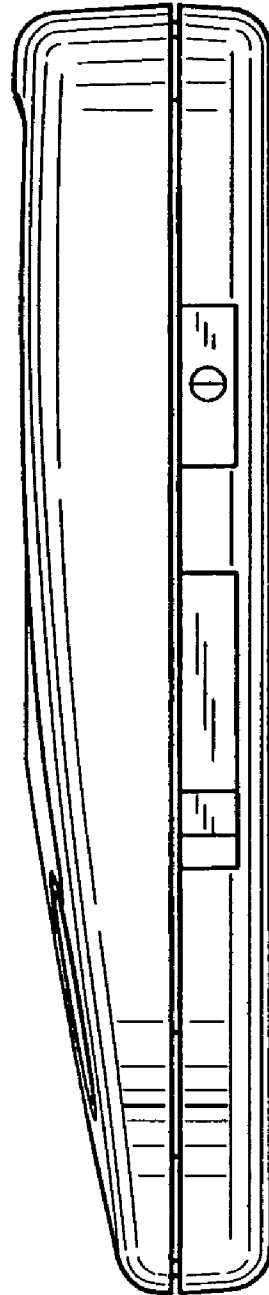


FIG. 7