



US0D1052005S

(12) **United States Design Patent**
Lin

(10) **Patent No.:** **US D1,052,005 S**

(45) **Date of Patent:** **** Nov. 19, 2024**

(54) **REMOTE CONTROLLED TOY CAR**

(71) Applicant: **Zezhou Lin**, Shantou (CN)

(72) Inventor: **Zezhou Lin**, Shantou (CN)

(**) Term: **15 Years**

(21) Appl. No.: **29/933,778**

(22) Filed: **Mar. 21, 2024**

(51) **LOC (14) Cl.** **21-01**

(52) **U.S. Cl.**
USPC **D21/550; D21/549; D21/548; D21/533**

(58) **Field of Classification Search**
USPC D21/533, 548, 592, 549, 424, 427, 428,
D21/550, 560, 551, 552, 559, 434;
D12/82, 93, 87
CPC A63H 17/004; A63H 17/262; A63H 17/14
See application file for complete search history.

(56) **References Cited**

U.S. PATENT DOCUMENTS

| | | | | | | |
|--------------|----|---|---------|----------|-------|------------|
| D362,280 | S | * | 9/1995 | George | | D21/550 |
| 7,234,992 | B2 | * | 6/2007 | Weiss | | A63H 30/04 |
| | | | | | | 446/454 |
| D593,163 | S | * | 5/2009 | Torres | | D21/533 |
| D825,684 | S | * | 8/2018 | Gan | | D21/548 |
| 10,843,094 | B1 | * | 11/2020 | Balanchi | | A63H 30/04 |
| D938,528 | S | * | 12/2021 | Lin | | D21/548 |
| D941,400 | S | * | 1/2022 | Xu | | D21/533 |
| D952,762 | S | * | 5/2022 | Shen | | D21/548 |
| D961,689 | S | * | 8/2022 | Chen | | D21/548 |
| D982,097 | S | * | 3/2023 | Chen | | D21/533 |
| D982,098 | S | * | 3/2023 | Chen | | D21/533 |
| 2005/0148282 | A1 | * | 7/2005 | Moll | | A63H 17/00 |
| | | | | | | 446/456 |

FOREIGN PATENT DOCUMENTS

| | | | |
|----|-----------|---|--------|
| CN | 307181833 | * | 3/2022 |
| CN | 308612547 | * | 4/2024 |
| GB | 6149736 | * | 7/2021 |

OTHER PUBLICATIONS

Amazon Website, Lecpop Amphibious Remote Control Car, Earliest Comment Date:Mar. 14, 2024[Website Visited May 29, 2024]

Available on the Internet URL <https://www.amazon.com/dp/B0CQLLPJWN> (Year: 2024).*

Amazon Website, Xmasmate Remote Control Car, Earliest Comment Date:Apr. 5, 2022[Website Visited May 29, 2024] Available on the Internet URL <https://www.amazon.com/dp/B09QCJ6RLQ> (Year: 2022).*

Walmart Website, JJRC RC Stunt Car, Earliest Comment Date: Nov. 20, 2023[Website Visited May 29, 2024] Available on the Internet URL <https://www.walmart.com/ip/2099983192> (Year: 2023).*

* cited by examiner

Primary Examiner — S. Bryan Reinholdt, Jr.

Assistant Examiner — James T Tyree

(74) *Attorney, Agent, or Firm* — George D. Morgan

(57) **CLAIM**

The ornamental design for a remote controlled toy car, as shown and described.

DESCRIPTION

FIG. 1 is a front perspective view of a remote controlled toy car, showing my new design;

FIG. 2 is a rear perspective view thereof;

FIG. 3 is a front view thereof;

FIG. 4 is a rear view thereof;

FIG. 5 is a left side view thereof;

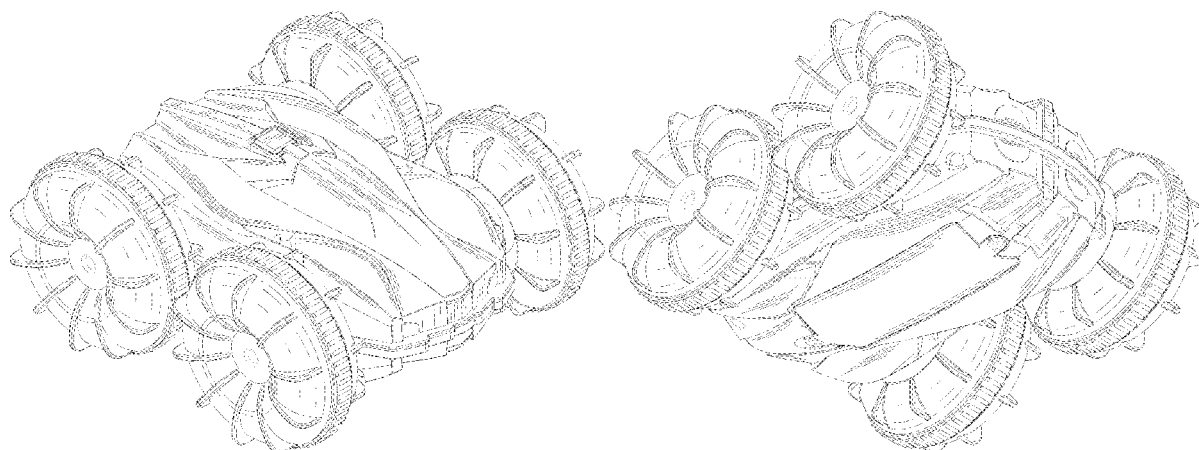
FIG. 6 is a right side view thereof;

FIG. 7 is a top view thereof; and,

FIG. 8 is a bottom view thereof.

The broken lines in the drawings illustrate the portions of the remote controlled toy car, which form no part of the claimed design.

1 Claim, 8 Drawing Sheets



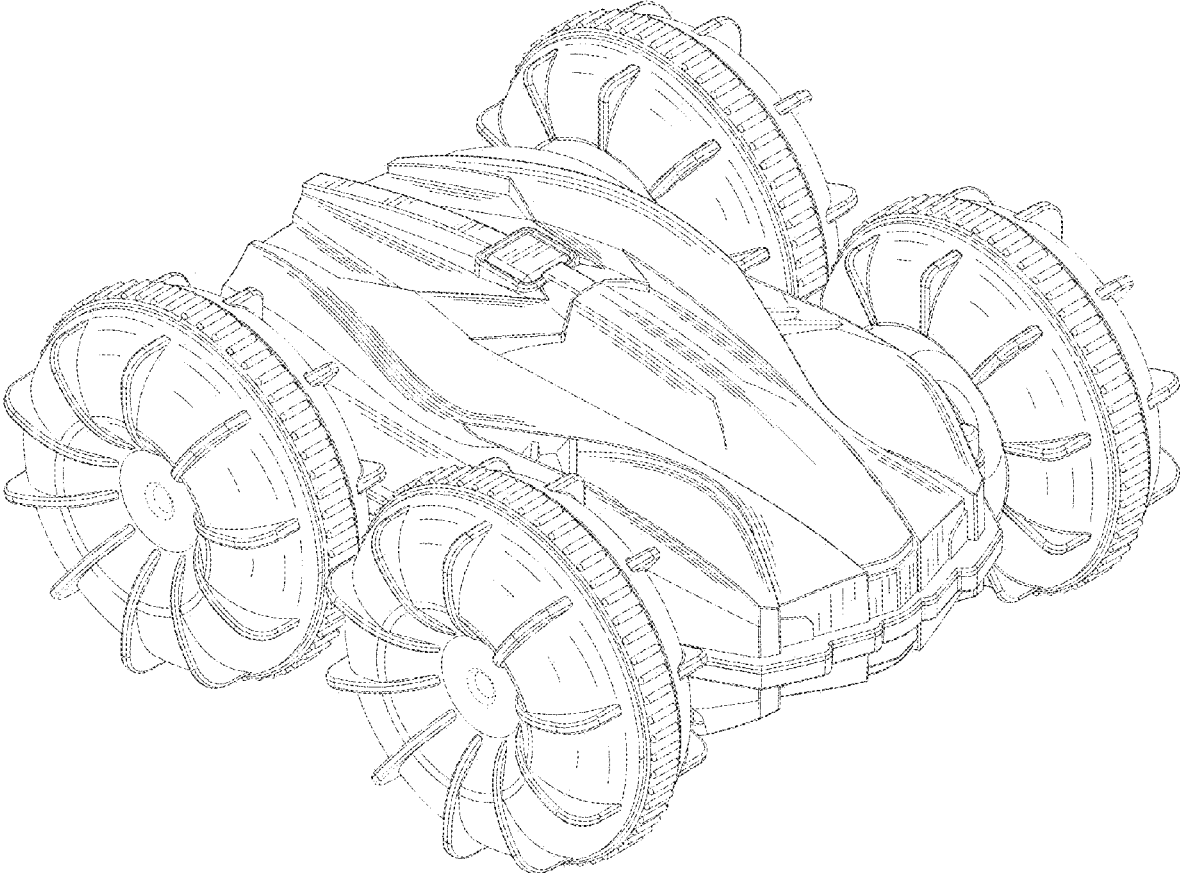


FIG. 1

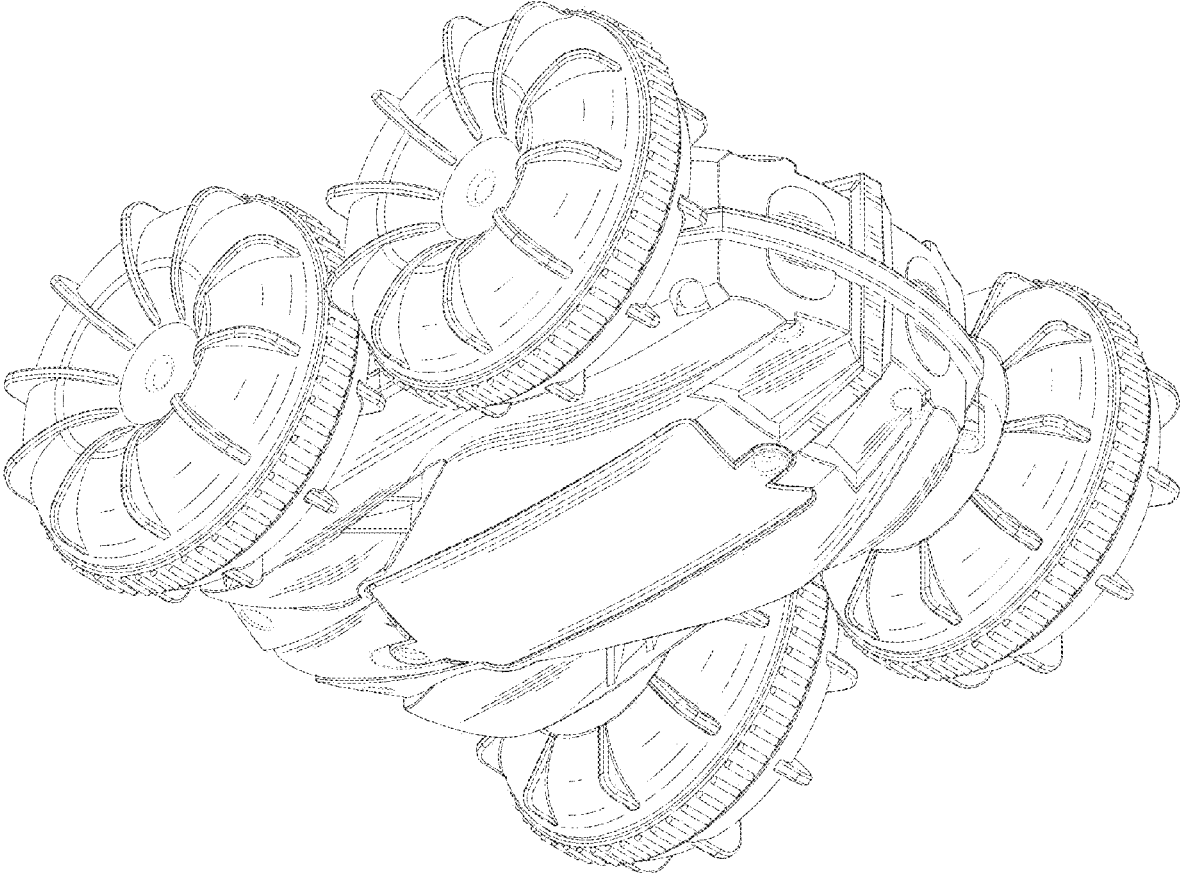


FIG. 2

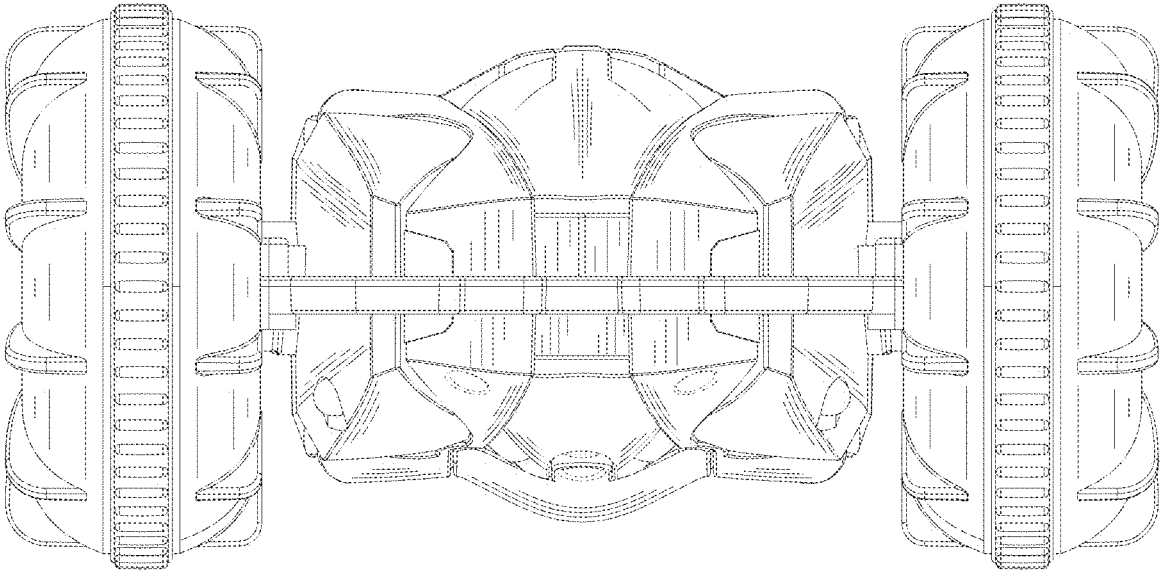


FIG. 3

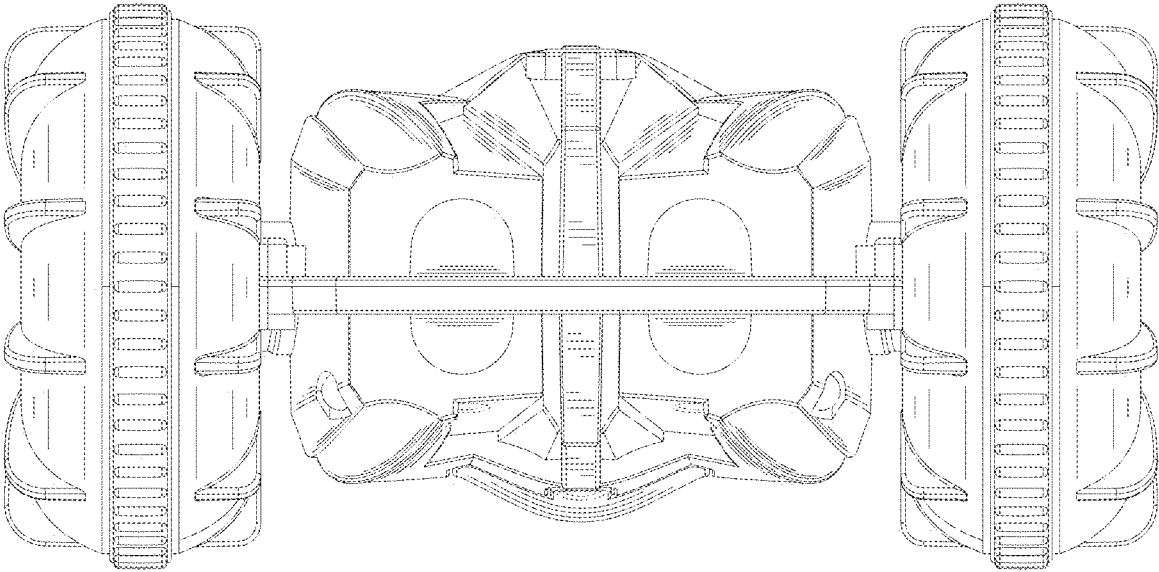


FIG. 4

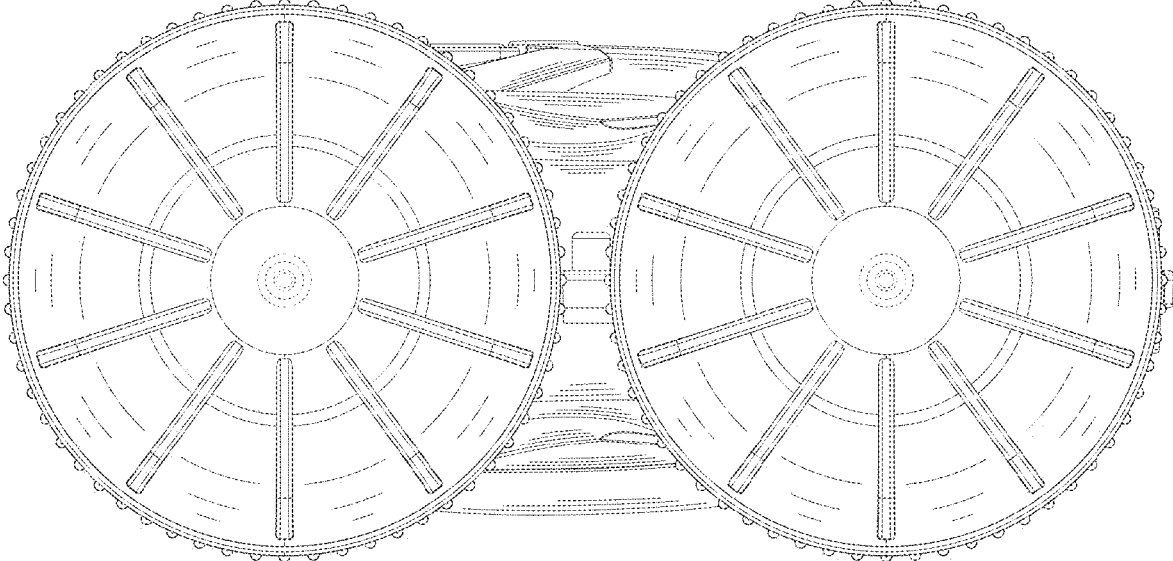


FIG. 5

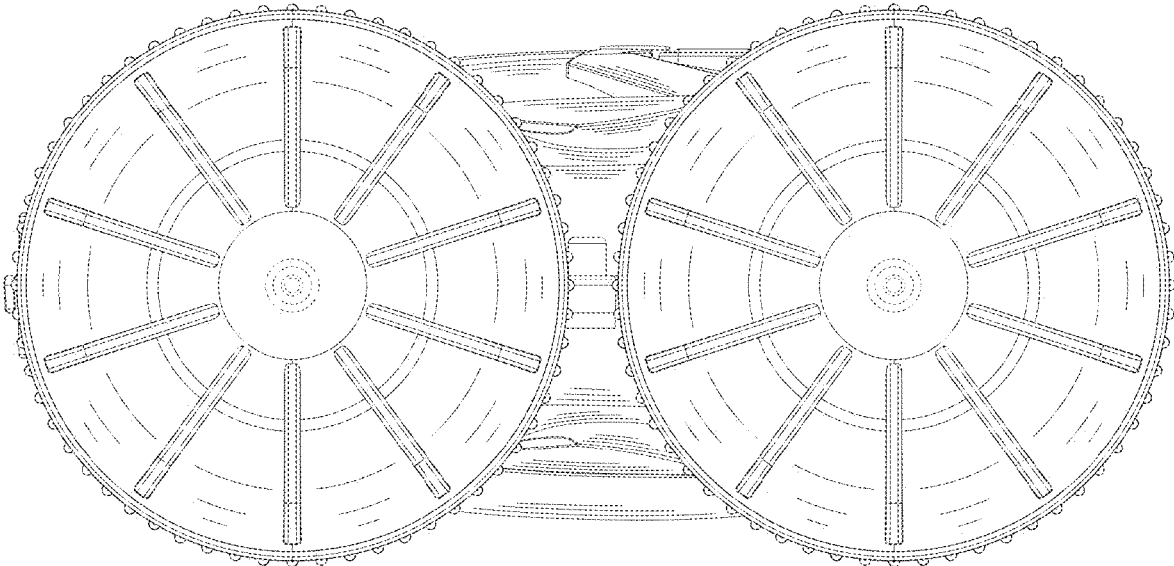


FIG. 6

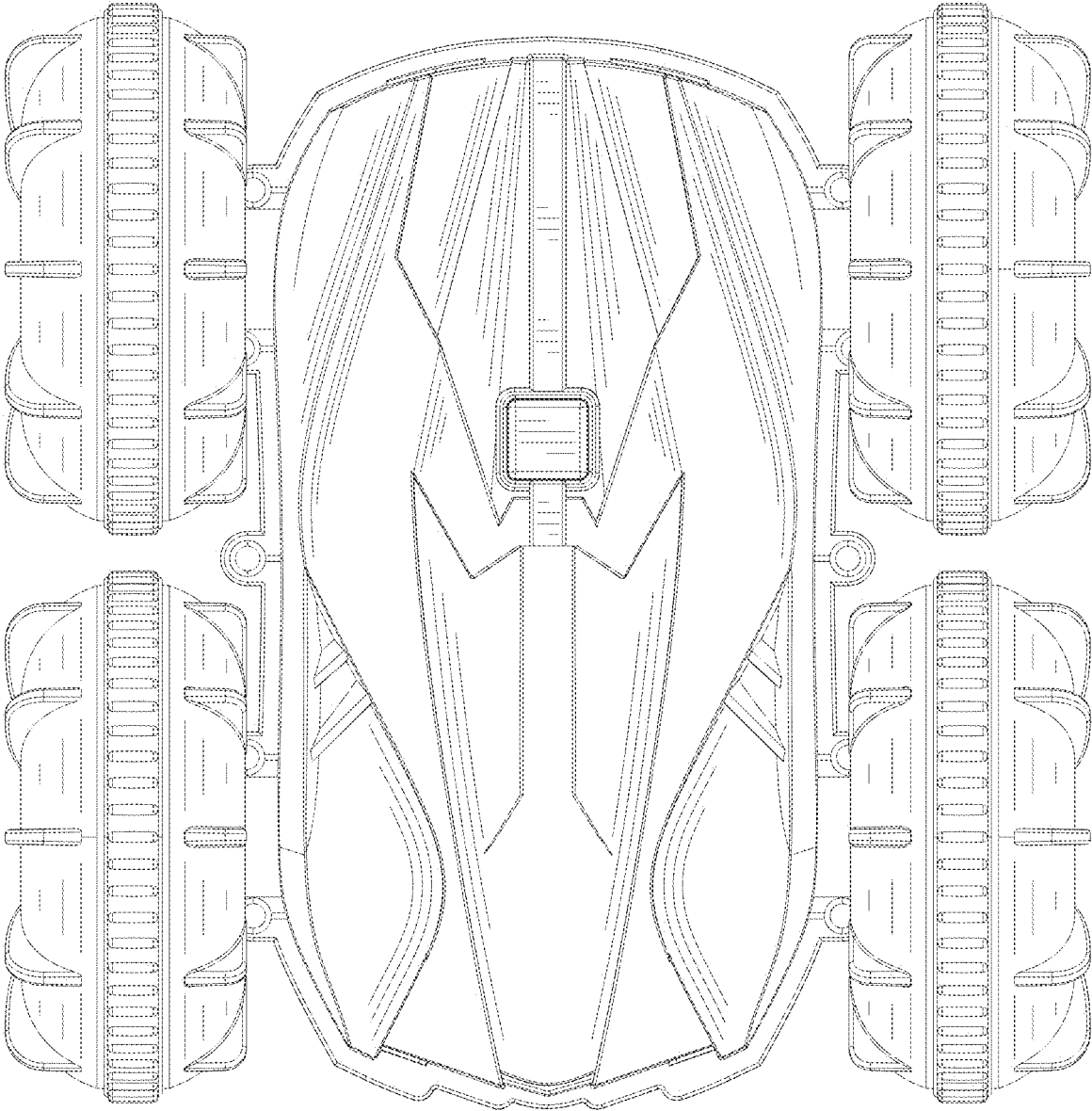


FIG. 7

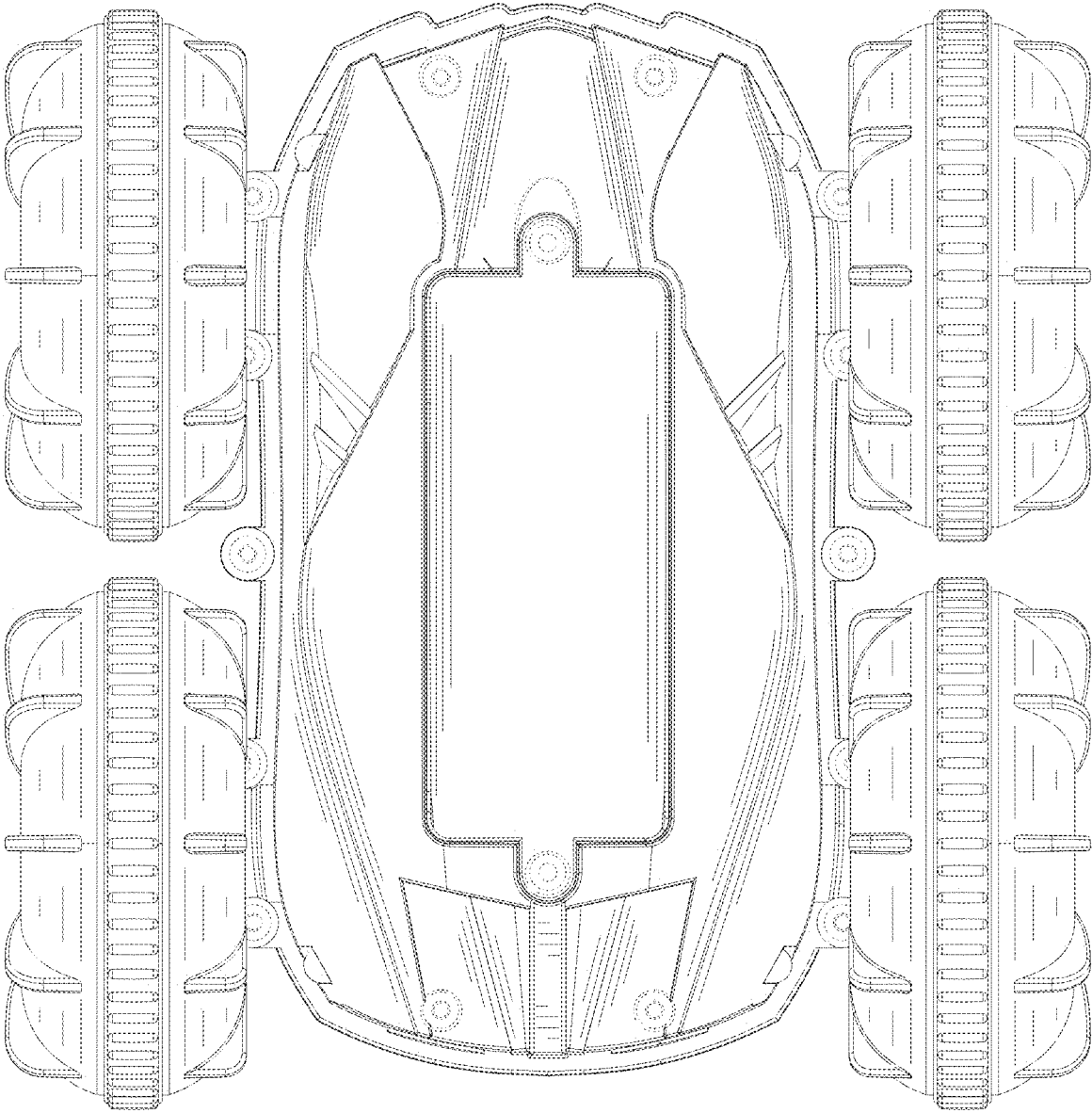


FIG. 8