

(19) **DANMARK**



Patent- og  
Varemærkestyrelsen

(10) **DK/EP 3592173 T3**

(12) **Oversættelse af  
europæisk patentskrift**

- 
- (51) Int.Cl.: **A 45 C 7/00 (2006.01)**                      **A 45 C 3/00 (2006.01)**                      **A 45 C 11/20 (2006.01)**  
**A 45 C 11/22 (2006.01)**                      **A 45 C 13/10 (2006.01)**                      **B 65 D 5/00 (2006.01)**  
**B 65 D 5/36 (2006.01)**                      **B 65 D 6/00 (2006.01)**                      **B 65 D 6/16 (2006.01)**  
**B 65 D 6/18 (2006.01)**
- (45) Oversættelsen bekendtgjort den: **2024-09-23**
- (80) Dato for Den Europæiske Patentmyndigheds bekendtgørelse om meddelelse af patentet: **2024-07-17**
- (86) Europæisk ansøgning nr.: **18763122.1**
- (86) Europæisk indleveringsdag: **2018-03-08**
- (87) Den europæiske ansøgnings publiceringsdag: **2020-01-15**
- (86) International ansøgning nr.: **US2018021546**
- (87) Internationalt publikationsnr.: **WO2018165426**
- (30) Prioritet: **2017-03-08 US 201762468673 P**
- (84) Designerede stater: **AL AT BE BG CH CY CZ DE DK EE ES FI FR GB GR HR HU IE IS IT LI LT LU LV MC MK MT NL NO PL PT RO RS SE SI SK SM TR**
- (73) Patenthaver: **Yeti Coolers, LLC, 7601 Southwest Parkway, Austin, TX 78735, USA**
- (72) Opfinder: **MUNIE, Jeffrey Charles, c/o YETI Coolers, LLC, 7601 Southwest Parkway, Austin, Texas 78735, USA**  
**ROGERS, Kyle Edward, c/o YETI Coolers, LLC, 7601 Southwest Parkway, Austin, Texas 78735, USA**  
**ABANTE, Edward, c/o YETI Coolers, LLC, 7601 Southwest Parkway, Austin, Texas 78735, USA**  
**KELLER, Christopher M., c/o YETI Coolers, LLC, 5301 Southwest Parkway, Suite 200, Austin, Texas 78735, USA**  
**SULLIVAN, Derek G., c/o Yeti Coolers, LLC, 7601 Southwest Parkway, Austin, Texas 78735, USA**  
**HOTCHKISS, Tobias, c/o YETI Coolers, LLC, 7601 Southwest Parkway, Austin, Texas 78735, USA**
- (74) Fuldmægtig i Danmark: **RWS Group, Europa House, Chiltern Park, Chiltern Hill, Chalfont St Peter, Bucks SL9 9FG, Storbritannien**
- (54) Benævnelse: **BEHOLDER MED MAGNETISK LUKNING**
- (56) Fremdragne publikationer:  
**EP-A1- 1 864 916**  
**EP-A2- 1 683 736**  
**WO-A1-2019/135922**  
**CN-A- 106 108 308**  
**CN-U- 205 512 896**  
**JP-A- 2011 121 631**  
**JP-U- S63 111 442**  
**US-A- 5 540 366**  
**US-A1- 2008 037 907**

Fortsættes ...

**US-A1- 2011 242 744  
US-A1- 2016 083 147  
US-A1- 2016 130 040  
US-A1- 2016 221 722**

# DESCRIPTION

Description

## Cross-Reference to Related Applications

[0001] This application claims priority to U.S. Provisional Patent Application No. 62/468,673, filed March 8, 2017.

## Field

[0002] The present disclosure relates generally to non-rigid, semi-rigid and rigid portable container devices useful for storing personal belongings in a sealed storage compartment that has a magnetic closure.

## Background

[0003] Containers may be designed to store a user's personal belongings in order to provide a degree of protection from incidental impact (e.g. drops), as well as from liquids and dirt. Containers may be composed of rigid materials such as metal or plastics or flexible materials such as fabric or foams. Containers may be designed with an opening/aperture that allows access to the interior contents of the container. The opening may also be provided with a closure mechanism. Such a container is disclosed in US 2016/221722.

## Summary

[0004] This Summary provides an introduction to some general concepts relating to this invention in a simplified form that are further described below in the Detailed Description. This Summary is not intended to identify key features or essential features of the invention.

[0005] Aspects of the disclosure herein may relate to container devices having one or more of (1) a partial or full waterproof closure ( 2) a magnetic closure.

## Brief Description of the Drawings

[0006] The foregoing Summary, as well as the following Detailed Description, will be better understood when considered in conjunction with the accompanying drawings in which like reference numerals refer to the same or similar elements in all of the various views in which that reference number appears.

FIG. 1 schematically depicts an implementation of a container.

FIG. 2 schematically depicts an implementation of a container.

FIGS. 3A and 3B schematically depict another implementation of a container.

FIG. 4 schematically depicts one implementation of a container.

FIG. 5 schematically depicts another view of the container from FIG. 4.

FIG. 6 schematically depicts a cross-sectional view of a top portion of the container from FIG. 4.

FIG. 7 depicts one implementation of a container.

FIGS. 8A-8B schematically depict an implementation of a container according to the claimed invention.

FIGS. 9A-9C schematically depict the container from FIGS. 8A-8B in an open configuration,.

FIG. 10 schematically depicts a view of the back portion of the container from FIGS. 8A-8B,.

FIG. 11 schematically depicts a portion of an internal back panel of the container from FIGS. 8A-8B.

FIG. 12 schematically depicts a portion of an internal front panel of the container from FIGS. 8A-8B.

FIG. 13A schematically depicts a cross-sectional end view of one implementation of the container from FIGS. 8A-8B.

FIG. 13B schematically depicts a more detailed view of the opening of the container from FIGS. 8A-8B.

FIG. 13C schematically depicts an alternative implementation of the opening of the container from FIGS. 8A-8B.

FIG. 13D schematically depicts an alternative implementation of the opening of the container from FIGS. 8A-8B.

FIG. 14 depicts one implementation of a container according to the claimed invention.

FIG. 15 depicts another view of the container from FIG. 14.

FIG. 16 depicts another view of the container from FIG. 14.

FIGS. 17A-17B schematically depict isometric views of another implementation of a container according to the claimed invention.

FIGS. 18A-18B schematically depict isometric views of a closure mechanism.

FIG. 19 schematically depicts a cross-sectional view of another implementation of a closure mechanism 1900.

FIG. 20 schematically depicts an implementation of a closure mechanism.

FIGS. 21A and 22B depict the folding magnetic collar of the closure mechanism.

FIG. 22 depicts a container that has a magnetic closure.

FIG. 23 depicts a container that has a magnetic closure.

FIGS. 24A and 24B schematically depict a magnetic closure mechanism similar to that described in relation to FIG. 23.

FIG. 25 schematically depicts another implementation of a container that has a magnetic closure mechanism.

FIG. 26 schematically depicts a cross-sectional view of one implementation of a magnetic closure.

FIG. 28 depicts another example container that includes a magnetic closure mechanism.

FIG. 29 schematically depicts a cross-sectional view of a portion of the closure mechanism of the container of FIG. 28.

**[0007]** Further, it is to be understood that the drawings may represent the scale of different components of various examples; however, the disclosed examples are not limited to that particular scale. Further, the drawings should not be interpreted as requiring a certain scale unless otherwise stated.

### **Detailed Description**

**[0008]** In the following description of the various examples and components of this disclosure, reference is made to the accompanying drawings, which form a part hereof, and in which are shown by way of illustration various example structures and environments in which aspects of the disclosure may be practiced. It is to be understood that other structures and environments may be utilized and that structural and functional modifications may be made from the specifically described structures and methods without departing from the scope of the present disclosure.

**[0009]** Also, while the terms "frontside," "backside," "front," "back," "top," "base," "bottom," "side," "forward," and "rearward" and the like may be used in this specification to describe various example features and elements, these terms are used herein as a matter of convenience, e.g., based on the example orientations shown in the figures and/or the orientations in typical use. Nothing in this specification should be construed as requiring a specific three dimensional or spatial orientation of structures in order to fall within the scope of the claims.

**[0010]** In the description that follows, reference is made to one or more container structures. It is contemplated that any of the disclosed structures may be constructed from any polymer, composite, and/or metal/alloy material, without from the scope of these disclosures. Additionally, it is contemplated that any manufacturing methodology may be utilized, without departing from the scope of these disclosures. For example, one or more welding (e.g. high frequency, ultrasonic welding, or laser welding of fabric, or metal/alloy welding), gluing, stitching, molding, injection molding, blow molding, stamping, deep-drawing, casting, die-casting, drilling, deburring, grinding, polishing, sanding, or etching processes, among many others, may be utilized to construct of the various containers described throughout these disclosures. Additionally, where reference is made to a magnetic element or structure throughout these disclosures, it may be assumed that the element or structure includes one or more magnets (e.g. permanent magnets), or one or more metals or alloys (e.g. ferromagnetic materials, among others), which may be attracted to magnets. Further, a magnetic strip, as described herein, may include a continuous magnetic element, a series of two or more discrete magnetic elements, or a two- or three-dimensional array of magnetic elements. Additionally, these magnetic elements may be constructed from any magnetic metal or alloy, and may be combined with one or more non-magnetic materials, such as polymers, ceramics, or non-magnetic metals or alloys.

**[0011]** Various magnetic closure mechanisms are described throughout the following disclosures. These magnetic closure mechanisms may be configured to be partially or fully watertight and/or airtight. It is contemplated that the magnetic closure mechanisms may include gaskets and seals in addition to the described magnetic elements, without departing from the scope of these disclosures.

**[0012]** It is contemplated that any of the containers discussed throughout this document may be partially or fully watertight, airtight, and/or sealed to substantially or fully prevent dust or other materials from entering into and/or escaping from the containers. For example, containers 100, 200, 300, 400, 700, 800, 1400, 2002, 2200, 2300, and/or 2500, which are described in further detail in the proceeding paragraphs, may include partially or fully water resistant outer shells/ outer walls and closure mechanisms.

**[0013]** FIG. 1 schematically depicts an implementation of a container 100. It is contemplated that a container, such as container 100, may alternatively be referred to as a pouch, bag, box, or vessel, among others, through these disclosures. In one example, container 100 may have a hard shell that is resistant to deformation. In one implementation, the container 100 has a

clamshell mechanism with a front shell 102 that is hingedly coupled to a back shell 104. Where discussed throughout these disclosures, a hinge coupling may utilize one or more of a flexure element (e.g. a live hinge), or a piano hinge, among many others. It is contemplated that the shells 102 and 104 may be constructed from any polymer, composite, and/or metal/alloy material, among others. In one implementation, the front shell 102 may be partially or wholly transparent. In one example, the front shell 102 and/or the back shell 104 may be constructed from a polycarbonate material. However, additional or alternative polymeric materials may be utilized, without departing from the scope of these disclosures.

**[0014]** The container 100 may have a gasket 106 that extends around at least a portion of an internal perimeter of the back shell 104. The gasket 106 may be positioned within a channel 107 of the back shell 104. The gasket 106 may be constructed from silicone, neoprene, nitrile, polyvinylchloride, or butyl rubber, among others. In one example, the gasket 106 may be configured to partially or wholly seal the opening 108 into an internal storage compartment within the container 100.

**[0015]** In one implementation, it is contemplated that the container 100 may include a closure mechanism, which may otherwise be referred to as a fastener mechanism throughout these disclosures, having a clasp 110 that is hingedly coupled to the front shell 102, and configured to removably couple to a top portion 112 of the back shell 104. In certain examples, the clasp 110 in conjunction with the gasket 106 can create a waterproof or water resistant seal between the front shell 102 and back shell 104. Moreover, the container 100 can be formed of a waterproof or water resistant fabric to form a dry compartment within the container 100. However, additional or alternative closure mechanisms may be utilized, without departing from the scope of these disclosures. For example, the container 100 may utilize two or more clasps similar to clasp 110, one or more zippers, rail-type closure mechanisms, hook and loop fasteners, tabs, interference fitting closure mechanisms, interlocking closure mechanism, or magnetic closure mechanisms, without departing from the scope these disclosures.

**[0016]** FIG. 2 schematically depicts an implementation of a container 200. The container 200 may have a firm shell that is at least partially resistant to deformation. In one specific example, container 200 utilizes a clamshell design and has a front shell 202 that is hingedly coupled to a back shell 204. The back shell 204 may have a gasket 206 that is positioned within a channel 207 extending around at least a portion of an internal perimeter of the back shell 204. As depicted, an opening provides access to an internal storage compartment 208 of the container 200. This internal storage compartment 208 may be partially or wholly sealed (e.g. partially or wholly sealed to air and/or water, among others), when the front shell 202 is engaged with the back shell 204 along the gasket 206. In one example, the gasket 206 may be similar to the gasket 106 described in relation FIG. 1. It is further contemplated that the container 200 may be constructed from a molded Ethylene Vinyl Acetate material that has a fabric coating.

**[0017]** In the depicted example, the container 200 may include a closure mechanism that has a clasp 210 that is hingedly coupled to a top surface 212 of the front shell 202. Accordingly, the clasp 210 may be configured to engage with a tab structure (not depicted) on a top surface

214 of the back shell 204. Like in the above example, it is also contemplated that the clasp 110 in conjunction with the gasket 206 can create a waterproof or water resistant seal between the front shell 202 and back shell 204. Moreover, the container 200 can be formed of a waterproof or water resistant fabric to form a dry compartment within the container 200. However, additionally or alternative closure mechanisms may be utilized, such as a magnetic closure mechanism, or hook and loop fasteners, among others.

**[0018]** FIGS. 3A and 3B schematically depict another implementation of a container 300. In particular, FIG. 3A schematically depicts container 300 in an open configuration and FIG. 3B schematically depicts container 300 in a closed configuration. In one implementation, container 300 is constructed from one or more deformable materials, such that one or more surfaces of the outer shell 302 may be folded.

**[0019]** In one example, an opening 304 extends into an internal storage compartment of the container 300. The opening 304 may be partially or wholly sealed by a first closure mechanism 306. The first closure mechanism may include a magnetic closure extending around at least a portion of a perimeter of the opening 304. Additionally or alternatively, the first closure mechanism 306 may include a rail- type fastener, and/or a zipper fastener, among others. Further, the opening 304 may be partially or wholly sealed by folding/rolling an upper portion 308 of the outer shell 302 toward a second closure mechanism 310. As depicted in FIG. 3B, the second closure mechanism 310 may be configured to extend over the folded top portion 308 and affix to a back side (not depicted) of the outer shell 302. Accordingly, the second closure mechanism 310 may include one or more hook and loop fasteners, clasp fasteners, ties, or magnetic elements, among others.

**[0020]** FIG. 4 schematically depicts one implementation of a container 400. In one implementation, the container 400 has a front shell 402 that is coupled to a back shell 404. The front shell 402 may be coupled to the back shell 404 by a hinge mechanism (not depicted in FIG. 4.) that is positioned along one or more side surfaces of the container 400 (e.g. bottom surface 410, left side surface 412, right side surface 414, and/or top surface 416). The front shell 402 may be coupled to the back shell 404 by one or more additional or alternative closure mechanisms that are configured to partially or wholly seal an opening that extends into a storage compartment (not depicted in FIG. 4) of the container 400. In one example, the container 400 may include a rail-type closure mechanism, a zipper closure, and/or a magnetic closure mechanism, among others. As such, the one or more additional or alternative closure mechanisms may be configured to seal an opening that extends, partially or wholly, around a frame element 406.

**[0021]** In one example, the container 400 includes pull-tabs 408a and 408b that are configured to provide grip surfaces onto which a user may manually grasp the container 400 in order to hingedly uncouple/ hingedly couple the front shell 402 from/ to the back shell 404 to gain access to/ seal one or more internal storage compartments of the container 400. It is further contemplated that the container 400 may include one or more alternative coupling mechanisms in place of the hinge mechanism (not depicted in FIG. 4.) positioned along one or

more side surfaces of the container 400. For example, the front shell 402 may be configured to be removably coupled to the back shell 404.

**[0022]** One or more of the front shell 402 and the back shell 404 may be deformable, or may be partially or fully rigid. In one example, one or more of the front shell 402 in the back shell 404 may be constructed from a molded EVA (Ethylene Vinyl Acetate), and may have a fabric coating. This fabric coating may include any synthetic or natural fiber material. It is further contemplated that the container 400 may utilize any polymer, composite, and/or metal/alloy without departing from the scope of these disclosures.

**[0023]** FIG. 5 schematically depicts another view of the container 400 that has a front surface of the front shell 402 removed in order to provide a view into an internal compartment 502 of the container 400. FIG. 5 schematically depicts a hinge mechanism 504 that extends along a portion of the bottom surface 410, and is configured to hingedly couple the front shell 402 to the back shell 404. Additionally, FIG. 5 schematically depicts an internal view of the frame 406 that extends at least partially around a perimeter of the container 400. In one example, the frame 406 is constructed from an elastomer. As previously described, the frame 406 includes one or more additional or alternative closure mechanisms configured to partially or wholly seal an opening into the internal storage compartment 502. These additional or alternative closure mechanisms are described in further detail in relation to the proceeding figures.

**[0024]** FIG. 6 schematically depicts a cross-sectional view of a top portion of the container 400. FIG. 6 schematically depicts the front shell 402 having a front frame 602 that extends around at least a portion of an internal perimeter of the front shell 402. The container 400 also includes a back shell 404 and a back frame 604 that extends around an internal perimeter of the back shell 404. In one example, the container 400 has a closure mechanism that includes a front magnetic strip 606. The front magnetic strip 606 may extend around at least a portion of the front frame 602. Further, the front magnetic strip 606 may be encapsulated within a front channel 610 of the front frame 602. Similarly, the closure mechanism may include a back magnetic strip 608 that extends around at least a portion of the back frame 604. The back magnetic strip 608 may also be encapsulated within a back channel 612 of the back frame 604. It is contemplated that the front magnetic strip 606 and the back magnetic strip 608 may include one or more magnetic elements configured in one or more linear strips, or two-dimensional arrays. For example, the front magnetic strip 606 and the back magnetic strip 608 may include a continuous magnetic element, or several magnetic elements spaced apart from one another within the front channel 610 and the back channel 612. It is contemplated that the front magnetic strip 606 and the back magnetic strip 608 may include one or more permanent magnets, and/or or elements that include metals/alloys that are attracted to magnets. Accordingly, the front magnetic strip 606 may be configured to magnetically couple to the back magnetic strip 608.

**[0025]** Additionally, the closure mechanism of the container 400 may include a zipper 614. The zipper 614 may extend around at least a portion of the front frame 602 and the back frame 604. It is contemplated that any zipper mechanism having any size (e.g. teeth size, spacing)

and/or having any slider body and pull type, may be utilized, without departing from the scope of the disclosures. It is further contemplated that the zipper 614 may be configured to be partially or wholly water resistant. As such, the zipper 614, when closed, may partially or wholly prevent water ingress into the storage compartment 502. Additionally or alternatively, the magnetic closure that includes the front magnetic strip 606 and the back magnetic strip 608 may seal the opening into the internal storage compartment 502 such that it is partially or wholly water resistant and/or air tight.

**[0026]** In one example, the zipper assembly 614 can be watertight up to 48,26 kPa (7 psi) above atmospheric pressure during testing with compressed air. However, in other examples, the water tightness of the closure 614 can be from 34,47 kPa to 62,05 kPa (5 psi to 9 psi) above atmospheric pressure and in other examples, the water tightness of the closure 614 can be from 13,79 kPa to 96,53 kPa (2 psi to 14 psi) above atmospheric pressure. The waterproof zipper assembly 614 can include a slider body and pull-tab (not depicted). In one particular example, the waterproof zipper assembly 614 can be constructed with plastic or other non-metallic teeth to prevent injury when retrieving contents from an internal storage compartment of the container 400.

**[0027]** Further advantageously, the magnetic closure mechanism that includes the front magnetic strip 606 and the back magnetic strip 608 may, when the strips 606 and 608 are magnetically coupled to one another, align the front shell 402 with the back shell 404. This magnetic alignment may allow the zipper 614 to be manually opened or closed without any snagging/ other partial failure of the zipper mechanism that may be experienced due to misalignment of zipper teeth etc.

**[0028]** FIG. 7 depicts one implementation of a container 700 that may be similar to container 400. In particular, the container 700 has a front shell 702 that may be similar to the front shell 402, and a back shell 704 that may be similar to the back shell 404, and configured to be hingedly coupled to the front shell 702. As depicted, the front shell 702 is uncoupled from the back shell 704 such that an internal storage compartment is accessible through opening 706. FIG. 7 also depicts a zipper 708 that may be similar to zipper 614.

**[0029]** FIGS. 8A-8B schematically depict an implementation of a container 800. In particular, FIG. 8A schematically depicts a front elevation view of the container 800 and FIG. 8B schematically depicts a partial back elevation view of a same implementation of the container 800. In one example, the container 800 has an outer shell 802 that is formed from a partially or wholly water resistant material. The outer shell 802 of container 800 includes a front portion 804, a back portion 806, side portions 808, and base portion 810. The container 800 also includes a closure mechanism 812 that is configured to resealably seal an opening (not depicted in FIG. 8A or 8B) at a top of the container 800. Additionally, the container 800 may include an attachment mechanism 814 on the back portion 806, which may be utilized to removably couple the container 800 to another structure, such as, for example, a bag, an insulating container, or an item of apparel (e.g. a belt), among others. In one implementation, the attachment mechanism may include one or more straps with hook and loop fasteners

configured to allow the straps to be removably coupled to an external structure.

**[0030]** In one example, the container 800 may be configured to be removably coupled to another container, such as an insulating device, or insulating container, In particular, the container 800 may be configured to be removably coupled to one or more of the insulating devices described in U.S. Pat. App. No. 15/261407 filed 9 Sept. 2016. Similarly, any of the other containers 100, 200, 300, 400, 700, and/or 1400 described throughout this document may also be configured to be removably coupled to one or more of the insulating devices described in U.S. Pat. App. No. 15/261407.

**[0031]** It is contemplated that the outer shell 802 of the container 800 may be constructed from one or more panels that are coupled to one another to form the depicted front portion 804, a back portion 806, side portions 808, and base portion 810. In particular, the one or more panels may be glued, stitched, or welded (ultrasonic welding, RF welding, laser welding, among others) together, among others. It is contemplated that the outer shell 802 of the container 800 may have one or more substantially rigid structures, one or more deformable structures, or a combination thereof. Additionally, the outer shell 802 may utilize one or more polymers (such as, among others, polypropylene, polyvinylchloride, polyethylene, polyethylene terephthalate, acrylonitrile butadiene styrene), composite materials, and/or one or more metals/alloys.

**[0032]** FIGS. 9A-9C schematically depict the container 800 in an open configuration. In particular, FIG. 9A schematically depicts a front elevation view, FIG. 9B schematically depicts a side elevation view, and FIG. 9C schematically depicts a back elevation view of the container 800. In one implementation, an opening 902 may be positioned at a top of the container 800, with the opening extending into one or more storage compartments encapsulated by the outer shell 802. The container 800 may include a closure mechanism that includes a magnetic seal. The magnetic seal is described in further detail in the proceeding sections of this document, and schematically depicted in part within the cutaway window of FIG. 9A as element 904. As will be described in further detail in relation to subsequent figures, the magnetic seal 904 may be configured to magnetically and resealably seal the opening 902 in the container 800. The closure mechanism of the container 800 includes a flap portion 906 that extends from the back portion 806 above an edge of the opening 902 (edge of opening 902 schematically depicted by dashed line 903). The flap portion 906 includes a first fastener element 908 that is configured to be removably coupled to a second fastener element 910. The second fastener element 910 is further coupled to an external surface of the front portion 804 of container 800. In certain examples, the second fastener element can be formed with a larger area and can be in the form of a larger rectangle such that the flap portion 906 of the container 800 can be secured to the container at different heights. This may allow for the container's size to be adjustable to accommodate for different loads in the container 800. In one example, the first and second fastener elements 908 and 910 may include hook and loop or French cleat fastener elements. In another implementation, the first and second fastener elements 908 and 910 may include magnetic fasteners, such as magnetic strips. The magnetic fasteners may be used separately or in conjunction with French cleats, hook and loop, and other types of fastening elements. The

above methods may also be used to connect various removable straps to the container. In yet another implementation, the first and second fastener elements 908 and 910 may include, or may be used in conjunction with, one or more of a rail/zipper-type fastener, one or more buttons, clasps, snaps, ties, interlocking shanks, stamped hooks, toggles, or interference-type removable couplings, among others.

**[0033]** In one implementation, the outer shell of the container 800 may be configured to fold along one or more lines (not depicted in FIGS. 9A-9C) to engage the first and second fastener elements 908 and 910 with one another. It is contemplated that the container 800 may fold along one or more fold lines spaced approximately half way between the first and second fastener elements 908 and 910 (e.g. along the schematically depicted line 905). Additionally or alternatively, at least a portion of the outer shell of the container 800 may be configured to be rolled in order to engage the first and second fastener elements 908 and 910 with one another.

**[0034]** FIG. 10 schematically depicts a view of the back portion of the container 800. In particular, FIG. 10 schematically depicts the container 800 with the attachment mechanism 814 in an open configuration. In one example, the attachment mechanism 814 may include two straps (e.g. straps 1002a and 1002b). It is contemplated that the attachment mechanism 814 may utilize a single strap (similar to one of straps 1002a and 1002b), or three or more straps (similar to one or more of straps 1002a and 1002b), without departing from the scope of these disclosures. It is contemplated that straps 1002a and 1002b may be substantially similar. Accordingly, the following describes strap 1002a and it may be assumed that similar features are present on strap 1002b.

**[0035]** In one implementation, the strap 1002a includes fastener elements 1004a, 1006a and 1008a. In one example, elements 1004a, 1006a and 1008a may include hook and loop fasteners, and such that each of elements 1004a, 1006a and 1008a includes one or both of hook and loop elements such that a selected one of the elements 1004a, 1006a and 1008a may be configured to removably couple to itself, or to one or more of the other two fastener elements. In one example, the fastener elements 1004a, 1006a and 1008a may be glued, welded, or sewn onto the strap 1002a. For example, elements 1010a, 1012a, and 1014a may represent seams along which the fastener element 1008a is sewn to the strap 1004a. Further, seams 1010a, 1012a, and 1014a may additionally or alternatively couple the strap 1004a to the back portion 806. Further, it is contemplated that fastener elements 1004a, 1006a and 1008a may include fastener structures in addition to, or as an alternative to hook and loop elements. In particular, the fastener elements may include one or more rail/zipper-type fasteners, one or more buttons, clasps, snaps, buckles, pegs, magnets, or ties, among others, without departing from the scope of these disclosures.

**[0036]** In one implementation, the storage compartment of the container 800 may include one or more sub-compartments. As such, FIG. 11 schematically depicts a portion of an internal back panel 1100 of the container 800. In particular, the storage compartment of the container 800 may include a storage sub-compartment 1102. In one specific example, the storage sub-compartment 1102 may include a padded slip pocket. In one implementation, the padded slip

pocket 1102 may be coupled to an internal back surface 1104. In one example, the back portion 806 of the container 800 may comprise a single layer of material such that the internal back surface 1104 is an internal surface of the back portion 806. In another implementation, the container 800 includes multiple layers of material such that the internal back surface 1104 is a separate structure to that of the back portion 806. It is contemplated that the padded slip pocket 1102 may include an opening 1106 formed between a slip pocket front panel 1108 and a slip pocket back panel 1110. The slip pocket front panel 1108 may have a top edge seam 1112 which is coupled to the slip pocket back panel 1110 at points 1114a and 1114b. Additionally, the slip pocket back panel 1110 may be coupled to the internal back surface 1104 along seam 1116, which may extend around a full perimeter of the pocket 1108. In one implementation, seam 1116 and coupling points 1114a and 1114b may comprise sewn couplings. In other implementations, the seam 1116 and coupling points 1114a and 1114b may additionally or alternatively, be welded or glued, among others.

**[0037]** In certain examples, the sub-compartment 1102 may be padded such that one or more items stored therein is provided an amount of impact absorption to reduce the likelihood of damage if the container 800 is dropped or hit by an external element/structure. Accordingly, one or more of the slip pocket front panel 1108 and the slip pocket back panel 1110 may include one or more padding elements. In one example, one or more of panels 1108 and 1110 may include one or more of a foam (e.g. polyethylene foam), a honeycomb, and/or an air bladder material positioned between two external layers. In another implementation, one or more of panels 1108 and 1110 may include a single layer of a padded material, such as neoprene/ polychloroprene, among others.

**[0038]** FIG. 12 schematically depicts a portion of an internal front panel 1200 of the container 800. In a similar manner to sub-compartment 1102 of FIG. 11, FIG. 12 schematically depicts sub-compartment 1202, which may be a padded or unpadded compartment having a zipper closure. In particular, the zipper closure 1204 may be configured to provide a partially or fully sealable closure for opening 1206 that extends into the sub-compartment 1202. Similar to sub-compartment 1102, sub-compartment 1202 may include a zip pocket back panel 1208 and a zip pocket front panel 1210. The zip pocket back panel 1208 may be coupled to the internal front surface 1212 of the container 800. In one example, the internal front surface 1212 is an internal surface of the front portion 804. In other examples, the container 800 may have multiple layers, such that the internal front surface 1212 is spaced apart from the front portion 804 by one or more intermediate material layers.

**[0039]** In one example, the zip pocket back panel 1208 may be coupled to the internal front surface 1212 along seam 1214, which may extend around a full perimeter of the pocket 1202. Further, the seam 1214 may be stitched, welded, or glued, among others. Additionally, the zip pocket front panel 1210 may be coupled to the back panel 1208 and/or internal front surface 1212 along seam 1214. The zipper closure 1204 may include end stops 1216a and 1216b that are spaced apart across the opening 1206. One or more of the zip pocket back panel 1208 and zip pocket front panel 1210 may be padded or unpadded, similar to the slip pocket front panel 1108 and a slip pocket back panel 1110. Additionally or alternatively, one or more of the

zip pocket back panel 1208 and zip pocket front panel 1210 may include a mesh material or partially or wholly transparent polymer material.

**[0040]** FIG. 13A schematically depicts a cross-sectional end view of one implementation of the container 800. As previously described, an internal compartment 1302 is enclosed by front portion 804, back portion 806, and base portion 810 (as well as side portions 808 not depicted in FIG. 13A). Further, the internal compartment 1302 may include one or more sub-compartments 1102 and 1202.

**[0041]** Further to the description of FIG. 11, FIG. 13A schematically depicts padding layers 1304 within the slip pocket front panel 1108 and slip pocket back panel 1110. In one specific implementation, padding layers 1304 may include 0.5-5 mm of polyethylene foam. It is contemplated that other types of foams, padding materials, and/or other thickness may be utilized, without departing from the scope of these disclosures.

**[0042]** As previously described, one or more of the front portion 804, a back portion 806, side portions 808, and base portion 810 may include multiple material panels that are coupled together. In one specific example, the front portion 804 may include a lower front portion 1306 that is coupled to an upper front portion 1308. Similarly, the back portion 806 may include a lower back portion 1310 that is coupled to an upper back portion 1312. Alternatively, the lower front portion 1306 and the upper front portion 1308 may be formed as a single element, and/or the lower back portion 1310 and the upper back portion 1312 may be formed as a single element. In one example, the upper front portion 1308 may include a front edge 1314 of the opening 1316 into the compartment 1302. Similarly, the upper back portion 1312 may include a back edge 1318 of the opening 1316.

**[0043]** FIG. 13B schematically depicts a more detailed view of the opening 1316 of container 800. In particular, FIG. 13B schematically depicts a cross-sectional end view of a first magnetic strip 1320 having a first magnetic strip top side 1329 and a first magnetic strip bottom side 1331, and coupled to an internal surface 1212 of the front portion 804 at a front edge 1314 of the opening 1316. Similarly, a second magnetic strip 1322 having a second magnetic strip top side 1333 and a second magnetic strip bottom side 1335 are coupled to an internal surface 1104 of the back portion 806 at a back edge 1318 of the opening 1316.

**[0044]** In one implementation, the first magnetic strip 1320 may be rigidly coupled to the internal surface 1212 along at least an upper seam 1324 and a lower seam 1326. Further, the second magnetic strip 1322 may be hingedly coupled to the internal surface 1104. The hinged coupling of the magnetic strip 1322 may be at seam 1328 at the back edge 1318 of the opening 1316. As such, the second magnetic strip 1322 may have a loose end 1330 that is uncoupled from the surface 1104 and may rotate about the seam 1328. Further, the second magnetic strip bottom side 1335 may be unattached to the outer shell 802. In other examples, either or both of the first magnetic strip bottom side 1331 and the second magnetic strip bottom side 1335 may be unattached to the outer shell 802.

**[0045]** In another implementation, as schematically depicted in FIG. 13C, the first magnetic strip 1320 may be hingedly coupled to the internal surface 1212 along the upper seam 1324, and the second magnetic strip 1322 may be rigidly coupled to the internal surface 1104 by the upper seam 1328 and another lower seam 1340, without departing from the scope of these disclosures. As such, the first magnetic strip 1320 may have a loose end 1342 that is uncoupled from the surface 1212 and may rotate about the seam 1324.

**[0046]** In yet another implementation, as schematically depicted in FIG. 13D, both the first magnetic strip 1320 and the second magnetic strip 1322 may be hingedly coupled to the respective internal surfaces 1212 and 1104 at the respective front edges 1314 and 1318. As such, the first magnetic strip 1320 may have a loose end 1342 that is uncoupled from the surface 1212 and the second magnetic strip 1322 may have a loose end 1330 that is uncoupled from the surface 1104.

**[0047]** Advantageously, the hinged coupling of one or more of the first and/or second magnetic strips 1320 and 1322 may allow the magnetic coupling to remain engaged and seal the compartment 1302 up to a comparatively higher internal/ external pressure being applied to the sidewalls of the internal compartment 1302 than if both of the magnetic strips 1320 and 1322 were rigidly coupled to the respective internal surfaces 1212 and 1104.

**[0048]** The containers described throughout these disclosures may be configured to remain sealed in response to a pressure differential between an internal storage compartment of a given container and an external environment surrounding the container. In one implementation, container 800 may be configured to remain sealed up to a first pressure level using the magnetic closure formed by magnetic strips 1320 and 1322 being magnetically coupled to one another. Further, container 800 may be configured to remain sealed up to a second pressure level, higher than the first pressure level, when both the magnetic closure, formed by magnetic strips 1320 and 1322, is engaged and a secondary closure is engaged by removably coupling the fastener element 908 to the fastener element 910. In one example, the use of the secondary closure, formed by fastener elements 908 and 910, in combination with the magnetic closure formed by magnetic strips 1320 and 1322, may increase by a factor of 5 or more the pressure to which the seal of the internal storage compartment of container 800 can withstand when compared to the use of the magnetic closure formed by magnetic strips 1320 and 1322 alone. In other examples, the pressure tolerance resulting from engaging fastener elements 908 and 910 in combination with the magnetic closure formed by magnetic strips 1320 and 1322 may increase by a factor of 5-10. In one implementation, the magnetic closure formed by magnetic strips 1320 and 1322 may be configured to withstand a pressure of 3,45-6,21 kPa (0,5-0,9 psi) or more, and the combination of magnetic closure formed by magnetic strips 1320 and 1322, and the secondary closure formed by fastener elements 908 and 910, may be configured to withstand a pressure of 17,24-31,03 kPa (2,5-4,5 psi) or more. Further, it is contemplated that alternative pressure ranges may be withstood by container 800, or any other container described throughout this disclosure.

**[0049]** FIG. 14 depicts one implementation of a container 1400, similar to container 800. In

particular, container 1400 includes a front portion 1402 that may be similar to front portion 802, and a back portion 1404 that may be similar to back portion 806. The container 1400 also includes a flap portion 1406 that may be similar to the flap portion 906. As such, the flap portion 1406 has a first fastener element 1408 coupled thereto. The first fastener element 1408 may be similar to first fastener element 908, and may be configured to couple to a second fastener element 1410 that is coupled to an external surface of the front portion 1402. As such, the second fastener element 1410 may be similar to the second fastener element 910. In one specific example, the first and second fastener elements 1408 and 1410 may include hook and loop fastener elements. However, additional or alternative fastener elements may be utilized with these elements, without departing from the scope of these disclosures. For example, both the first and second fastener elements 1408 and 1410 may include magnetic fasteners, such as magnetic strips, among others.

**[0050]** Additionally, FIG. 14 depicts a magnetic strip 1412. This magnetic strip 1412 may be similar to magnetic strip 1322, and may be configured to magnetically seal an opening 1414 of the container 1400. In particular, the magnetic strip 1412 may be coupled to an internal surface of the back portion 1404 at a back edge 1405 of the opening 1414. In one example, the magnetic strip 1412 may be configured to magnetically attach to a second magnetic strip (not depicted) that is coupled to an internal surface of the front portion 1402 at a front edge 1416 of the opening 1414.

**[0051]** In one implementation, the magnetic strip 1412 may include a row of magnetic elements (e.g. elements 1418a, 1418b etc.). In one implementation, these magnetic elements 1418a, 1418b may be permanent magnets. In another example, the magnetic elements 1418a, 1418b may be magnetically attracted to permanent magnets. It is further contemplated that the magnetic strip 1412 may, additionally or alternatively, include an array of magnetic elements similar to elements 1418a and 1418b that has two or more rows. Further, it is contemplated that the magnetic strip 1412 may include one or more continuous magnetic bands, rather than a series of multiple magnetic elements (e.g. elements 1418a and 1418b). These magnetic bands may include one or more magnetic wires or foils, without departing from the scope of these disclosures. Further, additional or alternative implementations of magnetic closures may be utilized with the container 1400, without departing from the scope of these disclosures. In one example, the magnetic seal formed by the magnetic strips 1320, 1322 and/or 1412 may form a partially or wholly water resistant seal of the openings 902 and/or 1414.

**[0052]** FIG. 15 depicts another view of the container 1400 from FIG. 14. In one example, FIG. 15 illustrates that the magnetic strip 1412 may be hingedly coupled to an internal surface of the back portion 1404 at a back edge 1405 of the opening 1414.

**[0053]** FIG. 16 depicts another view of the container 1400 from FIG. 14. In particular, FIG. 16 depicts a test of the magnetic fastener of the container 1400, e.g. the fastener that includes the magnetic strip 1412 that is configured to magnetically couple to a second magnetic strip in order to seal the opening 1414. As depicted, the container 1400 demonstrates the ability of the

magnetic fastener to maintain an airtight seal as a 5 kg mass is positioned on a back portion 1604 of the container 1600 (in this test setup, the container 1600 only contains air).

**[0054]** FIGS. 17A-17B schematically depict isometric views of another implementation of a container 1700. In particular, FIG. 17A schematically depicts the container 1700 in an open configuration and FIG. 17B schematically depicts the container in a closed configuration. In one example, container 1700 is similar to container 800, and have an outer shell 1702 with a front portion 1704, a back portion 1706, side portions 1708, and a base portion 1710. Additionally, container 1700 has a first fastener element 1712 that is configured to be removably coupled to a second fastener element 1714. In order to removably couple the first fastener element 1712 to the second fastener element 1714, a flap portion 1716 of the back portion 1706 may be folded or rolled, to bring the first fastener element 1712 proximate the second fastener element 1714. It is further contemplated that the container 1700 has a magnetic closure 1713, similar to that of magnetic closure described in relation to FIG. 13B. As such, in one example, when the container 1700 is in the open configuration of FIG. 17A, the magnetic closure may be capable of sealing the container 1700 up to 1,72 kPa (0,25 psi) pressure. In other examples, when the container 1700 is in the open configuration of FIG. 17A, the magnetic closure may be capable of sealing the container 1700 for pressures of up to 2,07 kPa, 2,76 kPa, 3,45 kPa, 4,14 kPa, 4,83 kPa, or 6,89 kPa (0,3 psi, 0,4 psi, 0,5 psi, 0,6 psi, 0,7 psi, or 1,0 psi). Further, when in the closed configuration of FIG. 17B, the combination of the magnetic closure 1713 and the first and second fastener element 1712 and 1714 may be capable of sealing the container 1700 up to a pressure of 18,96 kPa (2,75 psi). In other examples, the combination of the magnetic closure 1713 and the first and second fastener element 1712 and 1714 may be capable of sealing the container 1700 up to a pressure of 20,68 kPa, 24,13 kPa, 27,58 kPa, 31,03 kPa, 34,47 kPa (3,0 psi, 3,5 psi, 4,0 psi, 4,5 psi, 5,0 psi).

**[0055]** FIGS. 18A-18B schematically depict isometric views of a closure mechanism. In particular, FIG. 18A schematically depicts an isometric view of a top portion of a closure mechanism 1800. The closure mechanism 1800 may be similar to the closure mechanism of container 400, and include a back frame 1802, similar to back frame 604, that is configured to be magnetically and removably coupled to a front frame 1804, similar to front frame 602. When coupled, as depicted in FIGS. 18A-18C, a zipper trough, or zipper channel 1806 is formed. In one example, the zipper trough 1806 may be configured to provide clearance for a slider body to move along a zipper tape (e.g. zipper 614). FIG. 18 B schematically depicts an isometric view of a bottom portion of the closure mechanism 1800. In one example, each of the back frame 1802 and the front frame 1804 may include a plurality of magnetic elements, of which elements 1808a-1808c are examples of a plurality of similar elements. In one implementation, the magnetic elements, e.g. elements 1808a-1808c, may be coupled to the front frame 1804 and the back frame 1802 using one or more molding, overmolding, gluing, or interference fitting processes. In one example, the magnetic elements within each of the back frame 1802 and the front frame 1804 may abut one another when the front frame 1804 is magnetically coupled to the back frame 1802. In another example, the magnetic elements within each of the back frame 1802 and/or the front frame 1804 may exert a magnetic force to without directly

contacting one another. In one example, the magnetic elements, e.g. elements 1808a-1808c, may be permanent magnets, or may be ferromagnetic or paramagnetic materials. Additionally or alternatively, the closure mechanism 1800 may include magnetic strips, rather than discrete magnetic elements (e.g. elements 1808a-1808c), without departing from the scope of these disclosures.

**[0056]** FIG. 19 schematically depicts a cross-sectional view of another implementation of a closure mechanism 1900. In one example, the closure mechanism 1900 may be similar to the closure mechanism of container 400, and include a back shell 1902 and a front shell 1904 which form an outer shell of a container, similar to container 400. Additionally, the closure mechanism 1900 may include a zipper 1906 that is configured to provide a first closure of an opening 1908 between the back shell 1902 and the front shell 1904. In one example, the zipper 1906 may be stretchably coupled to the back shell 1902 and the front shell 1904 such that when the zipper 1906 is closed a tensile force urges a front frame 1912 toward a back frame 1910. In turn, this tensile force urges a front magnet strip 1914 toward a back magnetic strip 1916. In one example, when the front frame 1912 is magnetically and removably coupled to the back frame 1910, a zipper trough 1918 is formed. In another example, the closure mechanism 1900 may include gasket elements 1920 and 1922 configured to provide additional sealing of the opening 1908 when the front magnet strip 1914 is magnetically coupled to the back magnetic strip 1916.

**[0057]** FIG. 20 schematically depicts an implementation of a closure mechanism 2000. In one example, the closure mechanism 2000 is configured to resealably seal a container. Outer shell 2002 is one example of a type of container with which the closure mechanism 2000 may be utilized. It is contemplated, however, that the closure mechanism 2000 may be utilized with any container type, and outer shell 2002 represents one exemplary implementation. The outer shell 2002 may be formed of a water resistant material, or a partially or fully permeable material. While not depicted in the schematic representation of FIG. 20, the outer shell 2002 may generally have a front portion, a back portion, side portions, and a base portion. The outer shell 2002 may also include an opening 2004. The closure mechanism 2000 may be configured to resealably seal the opening 2004. In one example, the closure mechanism 2000 is configured to fold between an open configuration and a closed configuration to resealably seal the opening 2004. The closure mechanism 2000 may include magnetic elements configured to provide a sealing force. Further, the seal provided by the closure mechanism 2000 may be substantially watertight and/or airtight when in a closed configuration.

**[0058]** As depicted in FIG. 20, the closure mechanism 2000 is positioned in a partially folded configuration through which the closure mechanism 2000 is moved as it is transitioned between a fully open configuration and a closed configuration. In one example, the closure mechanism 2000 includes a folding magnetic collar 2100 that is coupled to the opening of the outer shell 2002. This folding magnetic collar 2100 is described in further detail in relation to FIGS. 21A and 21B.

**[0059]** FIGS. 21A and 22B depict the folding magnetic collar 2100 of the closure mechanism

2000. In particular, FIG. 21A depicts the folding magnetic collar 2100 in a fully open configuration, and FIG. 21B depicts the folding magnetic collar 2100 in a fully closed configuration. The fully closed configuration of FIG. 21B may seal an opening of a container, such as opening 2004 of outer shell 2002.

**[0060]** The folding magnetic collar 2100 may include a front collar member 2102 that linearly extends between a first end 2104 and a second end 2106. These first and second ends 2104 and 2106 may be coupled to respective first and second ends of a front of an opening, such as opening 2004. The front collar member 2102 may also include a projection 2108 that extends toward a back collar member 2116. The projection 2108 may have a first magnetic surface 2114 that faces the back collar member 2116. Additionally, the front collar member 2102 may include a second magnetic surface 2110 spaced apart from a third magnetic surface 2112 by the projection 2108.

**[0061]** The back collar member 2116 of the folding magnetic collar 2100 may extend between a first end 2118 and a second end 2120. These first and second ends 2118 and 2120 may be coupled to respective first and second ends of a back of an opening, such as opening 2004. The back collar member 2116 may also include a projection 2122 that extends toward the front collar member 2102. The projection 2122 may have a first magnetic surface 2124 that faces front collar member 2102. Additionally, the back collar member may include a second magnetic surface 2126 spaced apart from a third magnetic surface 2128 by the projection 2122.

**[0062]** The folding magnetic collar 2100 may include a first side collar member 2130 that extends along a first side of an opening, such as opening 2004. The first side collar member 2130 may be hingedly coupled to the first end 2104 of the front collar member 2102 and hingedly coupled to the first end 2118 of the back collar member 2116. The first side collar member 2130 additionally includes a center hinge 2132 that separates a first magnetic element 2134 from a second magnetic element 2136.

**[0063]** The folding magnetic collar 2100 includes a second side collar member 2140 that extends along a second side of an opening, such as opening 2004. The second side collar member 2140 may be hingedly coupled to the second end 2106 of the front collar member 2102 and hingedly coupled to the second end 2120 of the back collar member 2116. The second side collar member 2140 additionally includes a center hinge 2142 that separates a first magnetic element 2144 from a second magnetic element 2146.

**[0064]** As described, the folding magnetic collar 2100 includes a hinge between the front collar member 2102 and the first side collar member 2130 at first end 2104. Additionally, the front collar member 2102 is hinged to the second side collar member 2140 at second end 2106. Similarly, the back collar member 2116 is hinged to the first side collar member 2130 at first end 2118 and to the second side collar member 2140 at second end 2120. Further, the first side collar member 2130 includes center hinge 2132, and the second side collar member 2140 includes center hinge 2142. It is contemplated that any of these hinge elements may include a live hinge structure that includes a flexure constructed from one or more polymers, metals, or

alloys. Additionally or alternatively, any of these hinge elements may include any mechanical hinge mechanism that includes separate hinge elements that are rotatably coupled to one another.

**[0065]** As depicted in FIG. 21A, when the folding magnetic collar 2100 is in a fully open configuration, the front collar member 2102, the back collar member 2116, the first side collar member 2130, and the second side collar member 2140 are positioned in a substantially rectilinear configuration. When folded, the center hinge 2132 of the first side collar member 2130 hinges the first and second magnetic elements 2134 and 2136 of the first side collar member 2130 into contact with one another. Additionally, the hinged coupling of the first side collar member 2130 to the first end 2104 of the front collar member 2102 and to the first end 2118 of the back collar member 2116 hinges the first and second magnetic elements 2134 and 2136 of the first side collar member 2130 into contact with the second magnetic surface 2110 of the front collar member 2102 and the second magnetic surface 2126 of the back collar member 2116.

**[0066]** When folded, the center hinge 2142 of the second side collar member 2140 hinges the first and second magnetic elements 2144 and 2146 of the second side collar member 2140 into contact with one another. Additionally, the hinged coupling of the second side collar member 2140 to the second end 2106 of the front collar member 2102 and to the second end 2120 of the back collar member 2116 hinges the first and second magnetic elements 2144 and 2146 of the second side collar member 2140 into contact with the second magnetic surface 2112 of the front collar member 2102 and the second magnetic surface 2128 of the back collar member 2116.

**[0067]** When folded, the center hinge 2132 of the first side collar member 2134 and the center hinge 2142 of the second side collar member 2140 hinge the first magnetic surface 2110 and the second magnetic surface 2112 of the front collar member 2102 into contact with the respective first magnetic surface 2126 and second magnetic surface 2128 of the back collar member 2116. This closed configuration is depicted in FIG. 21B.

**[0068]** FIG. 22 depicts a container 2200 that has a magnetic closure 2202. In one example, the container 2200 may be similar to any of the containers described throughout this disclosure. In another example, container 2200 may be similar to one or more of the insulating containers described in U.S. Application No. 15/790,926, filed 23 Oct. 2017, titled "Insulating Container."

**[0069]** The container 2200 may include an outer shell 2204 that is constructed from a water resistant material. The outer shell 2204 may include a front portion 2206, a back portion 2208, side portions 2210 and 2212, and a base portion 2214. In one example, an opening 2216 may be positioned at a top portion 2218 of the container 2200. However, it is contemplated that the magnetic closure mechanism 2202 may be utilized to resealably seal alternative opening implementations of containers similar to container 2200.

**[0070]** The magnetic closure mechanism 2202 may include a first magnetic strip 2220 that is coupled to a first side of the opening 2216. The first magnetic strip 2220 may include a linear series of magnetic elements 2222. In another implementation, the magnetic strip 2202 may include a single continuous magnetic element, or a two-dimensional array of magnetic elements, without departing from the scope of these disclosures. A second magnetic strip 2224 may be coupled to a second side of the opening 2216. The first magnetic strip 2220 may be magnetically attracted to the second magnetic strip 2224 to resealably seal the opening 2216 using a magnetic force attraction between strips 2220 and 2224. As such, the second magnetic strip 2224 may include one or more magnetic elements, similar to the first magnetic strip 2220. In one example, the first magnetic strip 2220 may be manually separated from the second magnetic strip 2224 in order to transition the opening 2216 from a sealed configuration to an open configuration, as depicted in FIG. 22. In one example, each of the first magnetic strip 2220 and the second magnetic strip 2224 can be injection molded with rare earth magnets. The container 2200 may include a tab 2226 to allow a user to manually separate the first magnetic strip 2220 from the second magnetic strip 2224. The of the first magnetic strip and the second magnetic strip can help to create a strong seal that will not break when the container 2200 is dropped from reasonable heights. Additionally, the geometry of this sealing method creates insulated space to improve thermal performance and eliminate the 'thermal-bridge' effect

**[0071]** FIG. 23 depicts a container 2300 that has a magnetic closure mechanism 2301. In one example, the container 2300 may be similar to any of the containers described throughout this disclosure, such as container 2200 from FIG. 22. The container 2300 may include an outer shell 2302. The outer shell 2302 may have an opening 2304 that extends into a storage compartment. A magnetic closure mechanism 2301 may be configured to resealably seal the opening 2304. The magnetic closure mechanism 2301 may include a first magnetic strip 2306 that extends along a longitudinal axis that is coupled to a first side of the opening 2304. In one example, the first magnetic strip 2306 includes a linear series of discrete magnet elements, of which magnets 2308 and 2310 or two examples spaced along the longitudinal axis of the first magnetic strip 2306. A rail 2312 may extend along a longitudinal axis and may be coupled to a second side of the opening 2304. A second magnetic strip 2314 may extend along a longitudinal axis and may be slidably coupled to the rail 2312. The second magnetic strip 2314 may have a series of magnets similar to the first magnetic strip 2306.

**[0072]** In one example, the second magnetic strip 2314 is slidably coupled to the rail 2312 such that the second magnetic strip 2314 is slidable relative to the rail 2312 with the longitudinal axis of the second magnetic strip 2314 parallel to the longitudinal axis of the rail 2312. In one example, the series of magnets on the first magnetic strip 2306 may have outer surfaces facing the second magnetic strip 2314, and with alternating magnetic polarities. Similarly, the series of magnets of the second magnetic strip 2314 may have outer surfaces facing the first magnetic strip 2306, and with alternating magnetic polarities. In a first configuration, the magnets of the first magnetic strip 2306 may be aligned with magnets of the second magnetic strip 2314 that have opposite magnetic polarities, and the first magnetic strip 2306 may be magnetically attracted to the second magnetic strip 2314. In a second

configuration, the magnets of the first magnetic strip 2306 may be aligned with magnets of the second magnetic strip 2314 that have the same magnetic polarities, and the first magnetic strip 2306 may be magnetically repelled from the second magnetic strip 2314. The second magnetic strip 2314 may be transitioned from the first configuration to the second configuration by sliding the second magnetic strip 2314 relative to the rail 2312. Accordingly, when in the first configuration, the magnetic closure 2301 is in a closed configuration, and the opening 2304 is sealed. When in the second configuration, the magnetic closure 2301 is in an open configuration, and the opening 2304 is unsealed. As such, the slidable motion of the second magnetic strip 2314 relative to the rail 2312 may allow a user to manually disengage magnets from one another using a reduced manual force than may otherwise be needed to pull the first magnetic strip 2306 away from the second magnetic strip 2314. In one example, arrow 2350 schematically depicts a direction of motion to slide the second magnetic strip 2314 into a closed configuration, and arrow 2352 schematically depicts a direction of motion to slide the second magnetic strip 2314 into an open configuration.

**[0073]** The magnetic closure mechanism 2306 may additionally include a tab element 2320 that may be used to manually slide or twist the second magnetic strip 2314 relative to the first magnetic strip 2306 along the rail 2312. This tab element 2320 may include a fabric loop or a polymeric grip element. However, additional or alternative implementations may be used, without departing from the scope of these disclosures.

**[0074]** FIGS. 24A and 24B schematically depict a magnetic closure mechanism similar to that described in relation to FIG. 23. In particular, FIG. 24A schematically depicts a magnetic closure mechanism 2400 that has a first magnetic strip 2304 and a second magnetic strip 2306. The second magnetic strip 2306 is configured to be slidable relative to the first magnetic strip 2304. Further, each of the first magnetic strip 2304 and the second magnetic strip 2306 includes a series of magnets with outer surfaces having alternating magnetic polarity. When in the first configuration of FIG. 24A, the first magnetic strip 2304 is aligned with the second magnetic strip 2306 such that the outer surfaces of the magnets face the outer surfaces of magnets of opposite magnetic polarity. This first configuration results in a magnetic attractive force between the first magnetic strip 2304 and the second magnetic strip 2306.

**[0075]** FIG. 24B schematically depicts the first magnetic strip 2304 and the second magnetic strip 2306 in a second configuration. As depicted in FIG. 24B, the second magnetic strip 2306 has been moved relative to the first magnetic strip 2304 such that the outer surfaces of the magnets of the first and second magnetic strips facing one another have the same magnetic polarities. This second configuration results in the first magnetic strip 2304 being magnetically repelled from the second magnetic strip 2306. Accordingly, the second configuration depicted in FIG. 24B depicts the magnetic closure mechanism 2400 in an open configuration. When the first magnetic strip 2304 is repelled from the second magnetic strip 2306, the container may be maintained in the open position. This may allow the user to be able to see the contents inside the container and easily access the contents inside the container.

**[0076]** FIG. 25 schematically depicts another implementation of a container 2500 that has a

magnetic closure mechanism 2502. The container 2500 may be similar to the containers described throughout these disclosures. In one example, the container 2500 is an insulating container. Additionally or alternatively, the container 2500 may have a substantially water-resistant or water-proof outer shell 2504. While not depicted in FIG. 25, the outer shell 2504 may include any of the geometries and/or features of the containers described throughout these disclosures, and include a front portion, back portion, side portions, and a base portion, among others. In one implementation, FIG. 25 schematically depicts a cross-sectional view of a top portion of a container 2500 that has an internal storage compartment 2506. The storage compartment 2506 may be formed by an inner liner 2508. Additionally, the container 2500 may include one or more layers of insulation 2510 positioned between the outer shell 2504 and the inner liner 2508.

**[0077]** The container may include an opening 2512 extending into the storage compartment 2506. As depicted in FIG. 25, the opening 2512 is resealably sealed by the magnetic closure mechanism 2502. Accordingly, the magnetic closure mechanism 2502 may include a first magnetic strip 2514 that is coupled to an internal surface of the container 2500 on a first side of the opening 2512. In one example, the first magnetic strip 2514 is substantially rigidly coupled to the internal surface of the container 2500. Additionally, the magnetic closure mechanism 2502 includes a second magnetic strip 2516 that has a magnetic strip top side 2518, and a magnetic strip bottom side 2520. The second magnetic strip top side 2518 may be coupled to a second side of the opening 2512, and the second magnetic strip bottom side 2520 may be unattached to the container 2500 such that the second magnetic strip 2516 can flex and pivot relative to the first magnetic strip 2514. Accordingly, the second magnetic strip top side 2518 may be coupled to the container 2500 by a flexure element, which may include a fabric element, or a flexible polymeric element, among others.

**[0078]** The magnetic closure mechanism 2502 may additionally include a third magnetic strip 2522. The third magnetic strip 2522 may include a third magnetic strip top side 2524 and a third magnetic strip bottom side 2526. The third magnetic strip top side 2524 may be coupled to the second side of the opening 2512, and the third magnetic strip bottom side 2526 may be unattached to the container 2500 such that the third magnetic strip 2522 can flex and pivot relative to the first magnetic strip 2514. Accordingly, the third magnetic strip top side 2524 may be coupled to the container 2500 by a flexure element, which may include a fabric element, or a flexible polymeric element, among others.

**[0079]** In the closed configuration depicted in FIG. 25, the second magnetic strip 2516 may be configured to be magnetically coupled to the first magnetic strip 2514 inside the storage compartment 2506. Additionally, when in the closed configuration depicted in FIG. 25, the third magnetic strip 2522 may be configured to be magnetically coupled to the first magnetic strip 2514 on an external surface on the outer shell 2504 of the container 2500.

**[0080]** FIG. 26 schematically depicts a cross-sectional view of one implementation of a magnetic closure 2600. It is contemplated that the magnetic closure 2600 may be used with any of the closures and/or containers described throughout this disclosure. The magnetic

closure 2600 may include two magnetic strips 2602a and 2602b, which may be configured to be magnetically coupled to one another to seal an opening of a container. Each of the magnetic strips 2602a and 2602b may include a single continuous magnetic element, a series of discrete magnetic elements, or an array of magnetic elements. Further, a magnetic element may include a permanent magnet, or a metallic material that is magnetically attracted to a magnet.

**[0081]** Each of the magnetic strips 2602a and 2602b may include one or more magnetic elements 2604 encapsulated with a shell material 2606. The shell material 2606 may include one or more polymers, alloys, ceramics, or fiber reinforced materials, among others. Additionally, the magnetic coupling surfaces 2608a and 2608b of the respective magnetic strips 2602a and 2602b may have planar geometries. In another implementation, the magnetic strips 2602a and 2602b may each be formed from a contiguous magnetic material such that the planar surfaces 2608a and 2608b are themselves magnetic.

**[0082]** FIG. 27 schematically depicts a cross-sectional view of another implementation of a magnetic closure 2700. It is contemplated that the magnetic closure 2700 may be used with any of the closures and/or containers described throughout this disclosure. The magnetic closure 2700 may include two magnetic strips 2702a and 2702b, which may be configured to be magnetically coupled to one another to seal an opening of a container. Each of the magnetic strips 2702a and 2702b may include a single continuous magnetic element, a series of discrete magnetic elements, or an array of magnetic elements.

**[0083]** Each of the magnetic strips 2702a and 2702b may include one or more magnetic elements 2704 encapsulated by a shell material 2706. The shell material 2706 may include one or more polymers, alloys, ceramics, or fiber reinforced materials, among others. Additionally, the magnetic coupling surfaces 2708a and 2708b of the respective magnetic strips 2702a and 2702b may have non-planar geometries. In certain examples, the magnetic coupling surfaces 2708a and 2708b may have interlocking or complementary geometries. Further, the magnetic coupling surfaces 2708a and 2708b may have undulating, rippled, saw tooth, wavy, or zig-zag surface geometries. Additionally, the surface geometries of the magnetic coupling surfaces 2708a and 2708b may be irregular, or regular surface features (such as undulations, ripples, saw teeth, waves, or zig-zags etc. Advantageously, the non-planar surface geometry of magnetic coupling surfaces 2708a and 2708b may reduce or prevent sliding of the magnetic strips 2702a and 2702b relative to one another. This may, in turn, increase the strength and/or efficacy of a magnetic seal formed by the magnetic attraction between magnetic strips 2702a and 2702b. In another implementation, the magnetic strips 2702a and 2702b may each be formed from a contiguous magnetic material such that the non-planar surfaces 2708a and 2708b are themselves magnetic. In one example, the magnetic strips 2702a and 2702b can be formed by injection or extrusion molding. The interlocking geometry of the magnetic strips 2702a and 2702b can be constructed in a way to prevent seal failure.

**[0084]** FIG. 28 depicts another example container that includes a magnetic closure

mechanism. Container 2800 may be implemented as an insulating container that has a storage compartment 2802 that is resealably sealed by a hinged lid 2806. The container 2800 may be similar to one or more of the containers described in U.S. Application No. 15/261,407, filed 9 Sept 2016, titled "Insulating Device and Method for Forming Insulating Device.". The lid closure 2804 may resealably seal the storage compartment 2802 using a combination of an inner magnetic closure mechanism and an outer zipper mechanism. In one example, this combined closure may be similar to the closure of FIG. 6, which includes external zipper assembly 614 in combination with internal magnetic strips 606 and 608. The magnetic strips 606 and 608, in one example, can be injection molded TPU with embedded rare earth magnets. The magnets help provide the alignment and sealing force for the closure. The geometry of the magnetic strips 606 and 608 can create a strong seal that remains intact when dropped from reasonable heights. And, the geometry of this seal creates insulated space to improve thermal performance and eliminate the 'thermal-bridge' effect. An additional pull-tab on the front allows an opening point for the lid 2806. In addition, the pull-tab 2808 and the container 2800 can be provided with one or more mating features to prevent the lid from inadvertently opening.

**[0085]** FIG. 29 schematically depicts a cross-sectional view of a portion of the closure mechanism of the container 2800. In one example, the closure mechanism includes a zipper assembly 604 and internal magnetic strips 606 and 608. The magnetic strips 606 and 608 may be magnetically coupled to one another with or without the zipper assembly 604 being in a closed configuration. As such, the magnetic strips 606 and 608 may be used to resealably seal the lid 2804 to the storage compartment 2802, with this seal being further reinforced by the zipper assembly 604 when positioned in a closed configuration.

**[0086]** In one implementation, a container may include an outer shell formed from a water resistant material, which has a front portion, a back portion, side portions, and a base portion. The outer shell may also have an opening at a top of the container that extends into a storage compartment, and a closure mechanism. The closure mechanism may also include a first magnetic strip that is coupled to an internal surface of the front portion at a front edge of the opening. Additionally, the closure mechanism may include a second magnetic strip that is coupled to an internal surface of the back portion at a back edge of the opening. Further, the closure mechanism may include a flap portion that extends from the back portion above the back edge of the opening, with a first fastener element coupled to the flap portion. A second fastener element may be coupled to an external surface of the front portion. As such, the first magnetic strip may be magnetically attracted to the second magnetic strip to resealably seal the opening, and the outer shell may be configured to fold to removably couple the first fastener element to the second fastener element.

**[0087]** In one example, the first magnetic strip on the second magnetic strip may be hingedly coupled at the respective front and back edges of the opening.

**[0088]** In another example, at least one of the first magnetic strip and the second magnetic strip may be hingedly coupled at the respective front and back edges of the opening.

**[0089]** In yet another example the first fastener element may be removably coupled to the second fastener element by hook and loop fasteners.

**[0090]** Further, the first fastener element and the second fastener element may include magnets.

**[0091]** The container may additionally include an internal slip pocket coupled to an internal back surface of the back portion.

**[0092]** The container may additionally include an internal zip pocket coupled to an internal front surface of the front portion.

**[0093]** The container may additionally have straps coupled to the back portion of the outer shell, which may be utilized to removably couple the container to an external structure. In one example, the external structure may be an insulating container.

**[0094]** In another example, the container may be constructed from two or more sub-panels that are welded together. E.g. by RF welding.

**[0095]** In another implementation, a container may include a front shell, a front frame extending around an internal perimeter of the front shell, a back shell, a back frame extending around an internal perimeter of the back shell, and hingedly coupled to the front frame at a bottom surface. The container may also include a closure mechanism configured to resealably seal the back shell to the front shell. The closure mechanism may additionally include a front magnetic strip extending around at least a first portion of the front frame, and a back magnetic strip extending around at least a first portion of the back frame. Additionally, the closure mechanism may include a zipper that extends around at least a second portion of the front frame and a second portion of the back frame.

**[0096]** In one example, the front frame and the back frame may be constructed from one or more elastomers.

**[0097]** In another example, the front and back magnetic strips may be encapsulated within channels within the respective front and back frames.

**[0098]** In yet another example, the closure mechanism may also include a zipper trough formed when the front magnetic strip is magnetically coupled to the back magnetic strip.

**[0099]** The zipper may also include a zipper tape that is stretchable he coupled to at least the second portion of the front frame and the second portion of the back frame.

**[0100]** Further, when the zipper is closed, the stretchable coupling of the zipper tape to the at least the second portion of the front frame and the second portion of the back frame may exert a compressive force that urges the front magnetic strip and the back magnetic strip toward one

another.

**[0101]** In another example, at least one of the front shell the back shell have two or more sub-panels that are welded together.

**[0102]** The container may also include a pull-tab that is configured to provide a grip surface to manually uncouple the front magnetic strip from the back magnetic strip.

**[0103]** Additionally, the front magnetic strip in the back magnetic strip may each have a plurality of magnetic elements.

**[0104]** In one implementation, a container may include an outer shell formed from a water-resistant material, and having a front portion, a back portion, side portions, and a base portion. The outer shell may further include an opening at a top of the container that extends into a storage compartment. The opening may have a substantially rectilinear geometry when fully open, with a front, a back, a first side, and a second side. The container may also include a closure mechanism that has a folding magnetic collar that may be folded between an open configuration and a closed configuration to seal the opening.

**[0105]** The folding magnetic collar may have a front collar member that linearly extends between a first end and a second end of the front of the opening. The front collar member they also have a projection that extends toward the back of the opening, and a first magnetic surface that faces the back of the opening. The front collar member may also have a second magnetic surface that is spaced apart from a third magnetic surface by the projection. The folding magnetic collar may additionally include a back collar member that linearly extends between a first end and a second end of the back of the opening. The back collar member may have a projection that extends toward the front of the opening, and a first magnetic surface that faces the front of the opening. The back collar member I also have a second magnetic surface spaced apart from a third magnetic surface by the projection.

**[0106]** Additionally, the folding magnetic collar may have a first side collar member that extends along the first side of the opening, and hinged to the first end of the front collar member and to the first end of the back collar member. The first side collar member may also include a center hinge that separates a first magnetic element from a second magnetic element. A second side collar member may extend along the second side of the opening. The second side of the opening may be hinged to the second end of the front collar member and to the second end of the back collar member. The second side collar member may also include a center hinge that separates a first magnetic element from a second magnetic element.

**[0107]** When the opening is fully open, the front collar member, the back collar member, the first side collar member, and the second side collar member may be positioned in a substantially rectilinear configuration. When folded, the center hinge of the first side collar member may hinge the first and second magnetic elements of the first side collar member into contact with one another. Additionally, the hinged attachment of the first side collar member to

the first end of the front collar member and to the first end of the back collar member may hinge the first and second magnetic elements of the first side collar member into contact with the second magnetic surface of the front collar member and the second magnetic surface of the back collar member.

**[0108]** When folded, the center hinge of the second side collar member may hinge the first and second magnetic elements of the second side collar member into contact with one another, and the hinged attachment of the second side collar member to the second end of the front collar member and to the second end of the back collar member may hinge the first and second magnetic elements of the second side collar member into contact with the third magnetic surface of the front collar member and the third magnetic surface of the back collar member.

**[0109]** When folded, the center hinge of the first side collar member and the center hinge of the second side collar member may hinge the first magnetic surface and the second magnetic surface of the front collar member into contact with the respective first magnetic surface and second magnetic surface of the back collar member.

**[0110]** In one example, the storage compartment of the container is an insulating container.

**[0111]** In another example, the storage compartment of the container includes an inner liner.

**[0112]** The container may include an insulating layer between the outer shell and an inner liner, with the insulating layer providing insulation for the storage compartment.

**[0113]** The insulating layer may float between the inner liner and the outer shell of the container.

**[0114]** The insulating layer may be attached to at least one of the inner liner and the outer shell.

**[0115]** The outer shell of the container may be made up of two or more sub-panels that are welded together.

**[0116]** The closure mechanism of the container may be substantially waterproof and airtight when positioned in a closed configuration.

**[0117]** In another implementation, a container may include an outer shell formed from a water-resistant material, and which has a front portion, a back portion, side portions, and a base portion. The outer shell may also have an opening at a top of the container extending into a storage compartment. The container may also include a closure mechanism that has a first magnetic strip that extends along a longitudinal axis and attached to a first side of the opening, and the first magnetic strip may have a first magnet and a second magnet spaced apart along the longitudinal axis. The closure mechanism may also include a second magnetic strip that

extends along a longitudinal axis. The second magnetic strip may have a first magnet and a second magnet spaced apart along the longitudinal axis. The closure mechanism may also include a rail that extends along a longitudinal axis and is coupled to a second side of the opening. The second magnetic strip may be slidably attached to the rail such that the second magnetic strip is slidable relative to the rail with the longitudinal axis of the second magnetic strip parallel to the longitudinal axis of the rail. The first and second magnets of the first magnetic strip may have respective first and second outer surfaces with opposite magnetic polarities. The first and second magnets of the second magnetic strip may have respective first and second outer surfaces with opposite magnetic polarities, such that the first and second outer surfaces of the first magnetic strip face the first and second outer surfaces of the second magnetic strip. When in a first configuration, the first and second magnets of the first magnetic strip may be magnetically attracted to the first and second magnets of the second magnetic strip. When the second magnetic strip is positioned in a second configuration relative to the first magnetic strip, the first and second magnets of the first magnetic strip may be aligned with magnets of a same polarity on the first magnetic strip to magnetically repel the second magnetic strip from the first magnetic strip.

**[0118]** In another example, the second magnetic strip may be movable relative to the first magnetic strip by a motion other than sliding, such as rotation, pivoting, folding, among others.

**[0119]** In one implementation, a container may include an outer shell formed from a water-resistant material, and which has a front portion, a back portion, side portions, and a base portion. The outer shell may also have an opening at a top of the container extending into a storage compartment. The container may also include a closure mechanism that has a first magnetic strip that is attached to an internal surface of the container on a first side of the opening. A second magnetic strip may have a second magnetic strip top side and a second magnetic strip bottom side, such that the second magnetic strip top side is attached to a second side of the opening, and the second magnetic strip bottom side is unattached to the outer shell. The closure mechanism may also include a third magnetic strip that has a third magnetic strip top side and a third magnetic strip bottom side, such that the third magnetic strip top side is coupled to the second side of the opening, and the third magnetic strip bottom side is unattached to the outer shell. The second magnetic strip may be configured to be magnetically attached to the first magnetic strip inside the compartment, and the third magnetic strip may be configured to be magnetically attached to the first magnetic strip on an external surface of the container.

**[0120]** In one implementation, a container may include an outer shell formed from a water-resistant material, and which has a front portion, a back portion, side portions, and a base portion. The outer shell may also have an opening at a top of the container extending into a storage compartment. The container may also include a closure mechanism that has a first magnetic strip that extends along a first longitudinal axis and is attached to a first side of the opening. The first magnetic strip may have a first outer surface with an undulating surface geometry. The closure mechanism may also include a second magnetic strip that extends along the first longitudinal axis, and the second magnetic strip may have a second outer

surface with an undulating surface geometry complementary to, and configured to be magnetically attached to, the first outer surface of the first magnetic strip.

**[0121]** In one example, the first outer surface or the second outer surface may be magnetized.

**[0122]** In another example, the first outer surface of the second outer surface may include a non-magnetic outer shell material that are at least partially encapsulates a magnetic material.

**[0123]** In one implementation, a container may include an outer shell formed from a water-resistant material, and which has a front portion, a back portion, side portions, and a base portion. The outer shell may also have an opening at a top of the container extending into a storage compartment. The container may also include a closure mechanism that has a first magnetic strip attached to an internal surface of the front portion at a front edge of the opening. The closure mechanism may also include a second magnetic strip that is attached to an internal surface of the back portion at a back edge of the opening. Additionally, a third magnetic strip may be attached to a flap portion that extends from the back portion above the back edge of the opening. Further, magnetic panel may be attached to an external surface of the front portion. The first magnetic strip may be magnetically attracted to the second magnetic strip and the third magnetic strip maybe magnetically attracted to the magnetic panel to resealably seal the opening. The outer shell maybe configured to fold to removably couple the third magnetic element to the magnetic panel.

**[0124]** In one implementation, a container may include an outer shell defining a first sidewall, an inner liner forming a storage compartment, an insulating layer positioned in between the outer shell and the inner liner, and an opening that allows access to the storage compartment. The container may also include a closure that seals the opening. The closure may be substantially waterproof when the container is in any orientation. The closure may include a lid assembly that has a handle and a reinforcement layer that is more rigid than the inner liner, the insulating layer, and the outer shell. The closure may also include an outer closure mechanism that extends around at least a portion of the lid assembly and an upper edge of the opening. The closure may also include an inner closure mechanism that has an upper magnetic strip extending along at least a portion of the lid assembly, and a lower magnetic strip that extends along at least a portion of the upper edge of the opening.

**[0125]** The outer shell of the container may also include a second sidewall and a third sidewall, and the opening may extend through the first sidewall, the second sidewall, and the third sidewall.

**[0126]** The container may be shaped in the form of a cuboid.

**[0127]** The inner liner and the outer shell of the container may form a joint that includes a vent for gases.

**[0128]** The outer shell of the container may include one or more handles, and a vent may be

formed adjacent to a location of the one or more handles.

**[0129]** The closure of the container may be substantially waterproof and resist liquid from exiting the opening when the insulating device is filled completely with water and is dropped from a distance of 1,83 meters (six feet).

**[0130]** The outer shell of the container may define a bottom wall extending in a first plane, and such that the inner liner is secured to the outer shell in a second plane that is perpendicular to the first plane.

**[0131]** The inner liner may be formed from a first piece and a second piece, and the first piece may be joined to the second piece by a weld that defines a seam. The seam may be covered with a seam tape.

**[0132]** The inner liner of the container may be formed by injection molding.

**[0133]** The outer closure mechanism may be a zipper that includes a zipper pull. The zipper may be substantially waterproof.

**[0134]** The container may also include a body assembly.

**[0135]** The lid assembly and the body assembly may form the inner liner, the insulating layer, and the outer shell of the container.

**[0136]** The lid assembly may include at least a portion of the insulating layer of the container.

**[0137]** The insulating layer may float between the inner liner and the outer shell.

**[0138]** The insulating layer may be attached to the inner liner or the outer shell.

**[0139]** The present disclosure is disclosed above and in the accompanying drawings with reference to a variety of examples. The purpose served by the disclosure, however, is to provide examples of the various features and concepts related to the disclosure, not to limit the scope of the disclosure. One skilled in the relevant art will recognize that numerous variations and modifications may be made to the examples described above without departing from the scope of the present disclosure.

## **REFERENCES CITED IN THE DESCRIPTION**

Cited references

This list of references cited by the applicant is for the reader's convenience only. It does not form part of the European patent document. Even though great care has been taken in compiling the references, errors or omissions cannot be excluded and the EPO disclaims all liability in this regard.

**Patent documents cited in the description**

- [US62468673 \[0001\]](#)
- [US2016221722A \[0003\]](#)
- [US26140716 \[0030\] \[0084\]](#)
- [US261407 \[0030\]](#)
- [US79092617 \[0068\]](#)

## Patentkrav

1. Beholder (800; 1400; 1700) omfattende:  
en ydre skal (802; 1702), der er dannet af et vandafvisende  
5 materiale, og med en frontdel (804; 1402; 1704), en bagdel (806;  
1404; 1604; 1706), sidedele (808; 1708) og en basisdel (810;  
1710; 2214), hvor den ydre skal (802; 1702) yderligere omfatter:  
en åbning (902; 1316; 1414) i en top af beholderen, der strækker  
sig ind i et opbevaringsrum;
- 10 en lukkemekanisme (812), der yderligere omfatter:  
en første magnetisk strimmel (1320), der er koblet til en  
indvendig overflade af frontdelen (804; 1402; 1704) ved en  
forkant (1314; 1416) af åbningen (902; 1316; 1414);  
en anden magnetisk strimmel (1322), der er koblet til en  
15 indvendig overflade af bagdelen (806; 1404; 1604) ved en bagkant  
(1318; 1405) af åbningen (902; 1316; 1414);  
en flapdel (906; 1406; 1716), der strækker sig fra bagdelen  
(806; 1404; 1604; 1706) over bagkanten (1318; 1405) af åbningen  
(902; 1316; 1414), hvor flapdelen (906; 1406; 1716) har et første  
20 fastgørelseselement (908; 1408; 1712);  
et andet fastgørelseselement (910; 1410; 1714), der er koblet  
til en udvendig overflade af frontdelen (804; 1402; 1704);  
hvor den første magnetiske strimmel (1320) er magnetisk  
tiltrukket af den anden magnetiske strimmel (1322) for at  
25 forsegle åbningen (902; 1316; 1414) igen,  
hvor den ydre skal (802; 1702) er konfigureret til at blive  
foldet for aftageligt at koble det første fastgørelseselement  
(908; 1408; 1712) til det andet fastgørelseselement (910; 1410;  
1714); og
- 30 hvor den første magnetiske strimmel (1320) omfatter en første  
magnetstrimmeloverside (1329) og en første  
magnetstrimmelunderside (1331), hvor den anden magnetiske  
strimmel (1322) omfatter en anden magnetstrimmeloverside (1333)  
og en anden magnetstrimmelunderside (1335), hvor den første  
35 magnetstrimmeloverside (1329) er koblet til den indvendige  
overflade af frontdelen (804; 1402; 1704) ved en forkant (1314;  
1416) af åbningen (902; 1316; 1414), og den anden  
magnetstrimmeloverside (1333) er koblet til en indvendig

- 5 overflade af bagdelen (806; 1404; 1604; 1706) ved en bagkant (1318; 1405) af åbningen (902; 1316; 1414), og kendetegnet ved, at mindst en af den første magnetstrimmelunderside (1331) og den anden magnetstrimmelunderside (1335) ikke er fastgjort til den ydre skal (802; 1702).
- 10 2. Beholder (800; 1400; 1700) ifølge krav 1, hvor den første magnetiske strimmel (1320) og den anden magnetiske strimmel (1322) er hængslet forbundet ved respektive for- og bagkanter af åbningen (902; 1316; 1414).
- 15 3. Beholder (800; 1400; 1700) ifølge krav 1, hvor mindst en af den første magnetiske strimmel (1320) og den anden magnetiske strimmel (1322) er hængslet forbundet ved de respektive for- og bagkanter af åbningen (902; 1316).
- 20 4. Beholder (800; 1400; 1700) ifølge krav 1, hvor det første fastgørelseselement (908; 1408; 1712) er konfigureret til at blive aftageligt koblet til det andet fastgørelseselement (910; 1410; 1714) ved hjælp af krog- og løkkefastgørelsesanordninger.
- 25 5. Beholder (800; 1400; 1700) ifølge krav 1, hvor det første fastgørelseselement (908; 1408; 1712) og det andet fastgørelseselement (910; 1410; 1714) omfatter magneter.
- 30 6. Beholder (800; 1400; 1700) ifølge krav 1, der yderligere omfatter en indvendig lomme, der er koblet til en indvendig overflade af bagdelen (806; 1404; 1604; 1706).
- 35 7. Beholder (800; 1400; 1700) ifølge krav 1, der yderligere omfatter stropper, der er koblet til bagdelen af den ydre skal (802; 1702) og konfigureret til aftageligt at koble beholderen til en udvendig struktur.
8. Beholder (800; 1400; 1700) ifølge krav 7, hvor den udvendige struktur er en isolerende beholder.
9. Beholder (800; 1400; 1700) ifølge krav 1, hvor den ydre

skal (802; 1702) omfatter to eller flere underpaneler, der er svejset sammen.

10. Beholder ifølge krav 1, hvor, når de er udfoldet, den første  
5 magnetiske strimmel og den anden magnetiske strimmel er anbragt mellem en foldelinje af den ydre skal og flapdelen, der strækker sig fra bagdelen over bagkanten af åbningen.

# DRAWINGS

Drawing

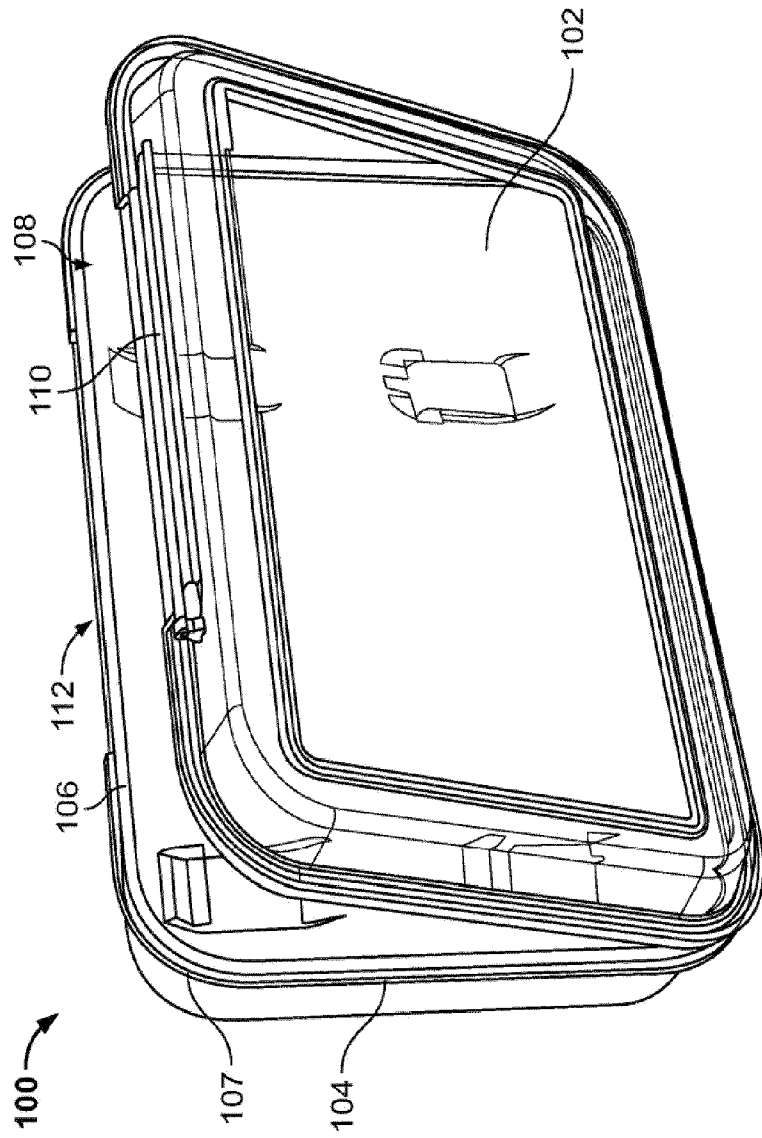


FIG. 1

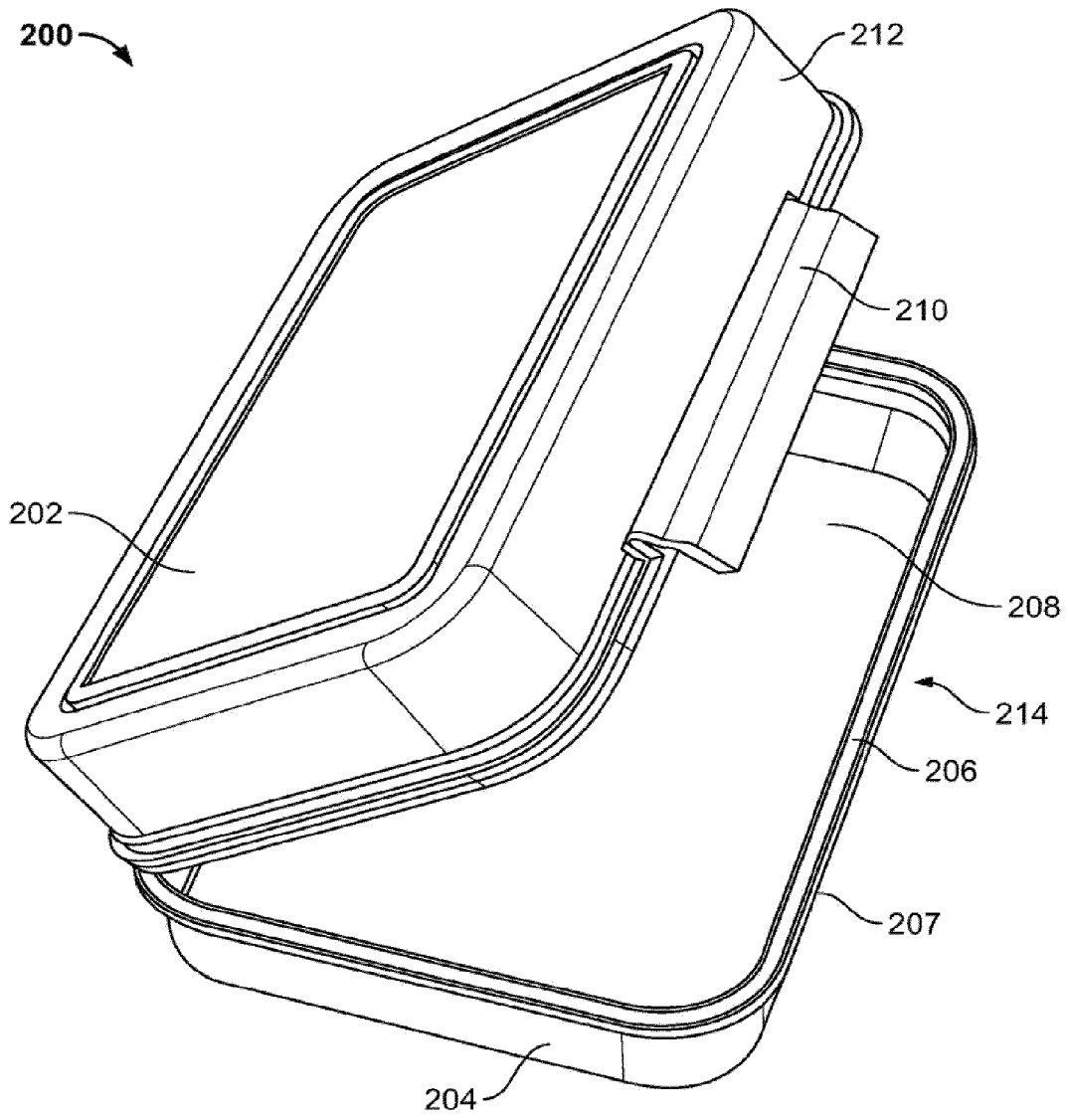


FIG. 2

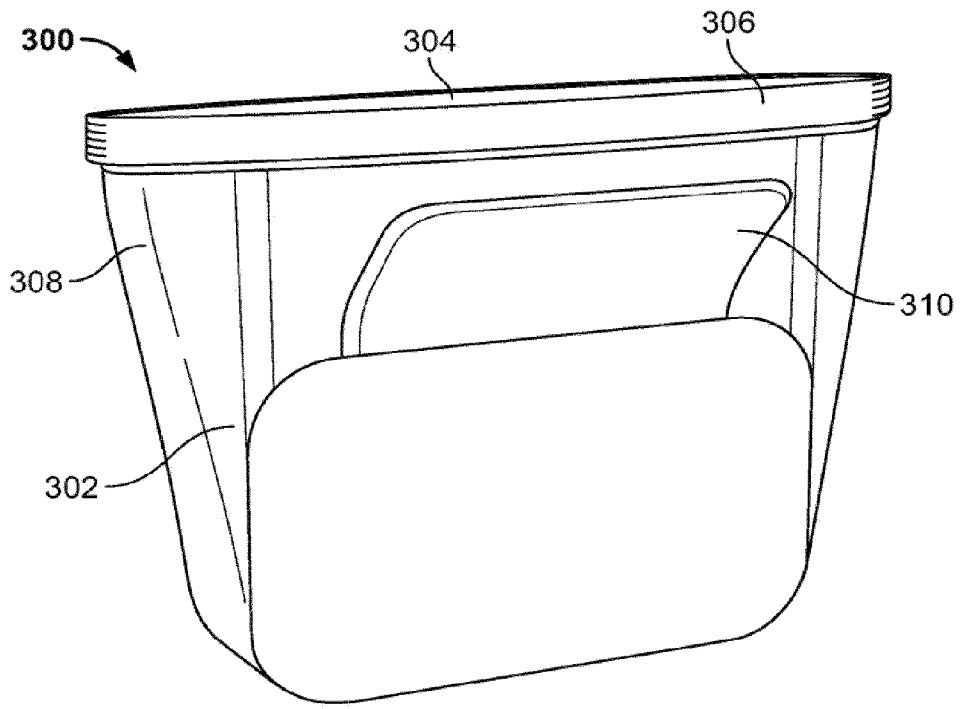


FIG. 3A

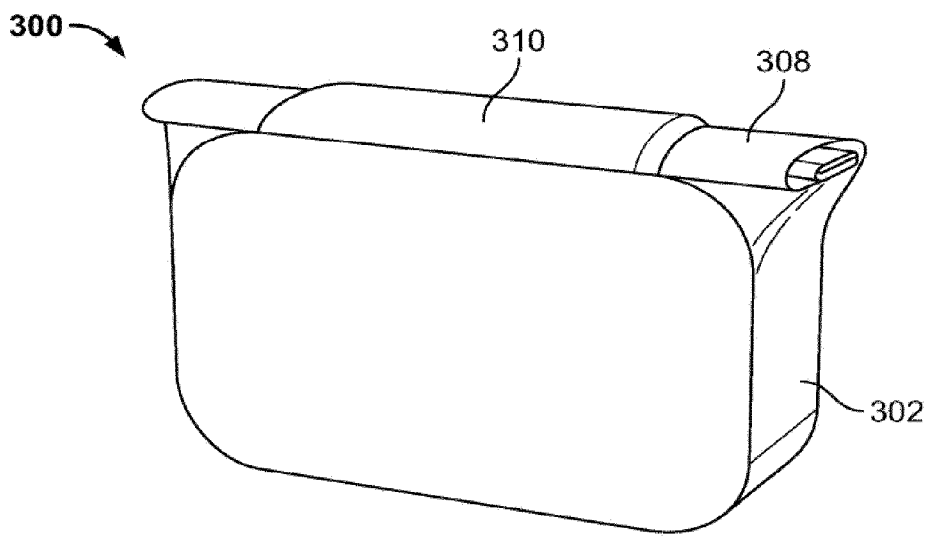
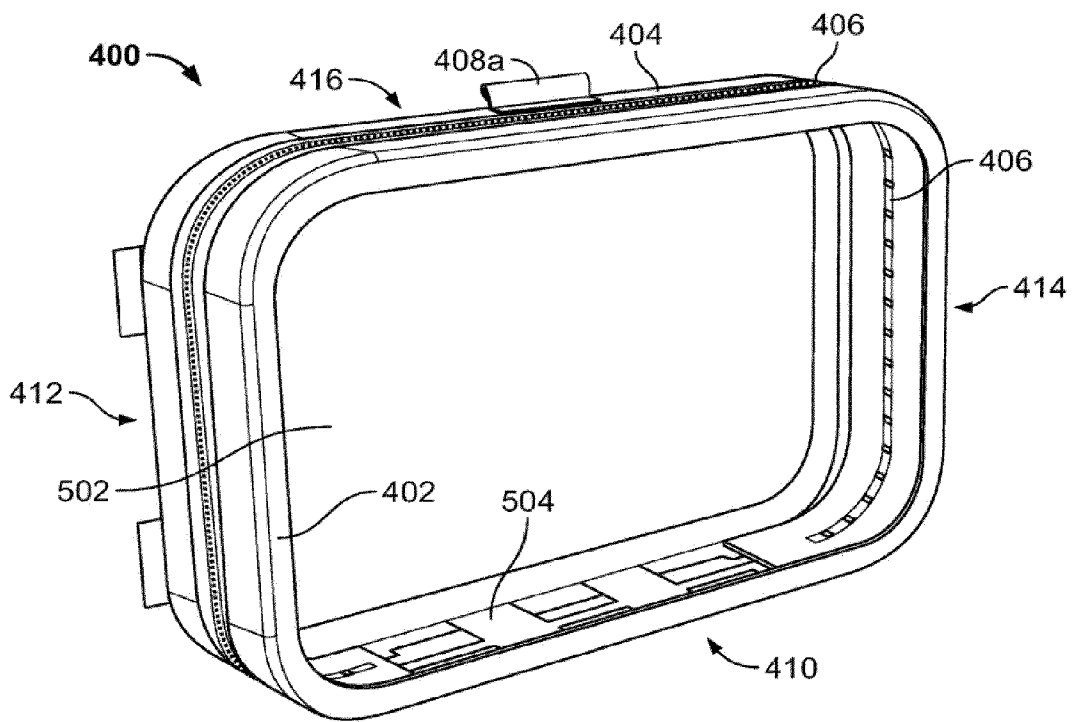
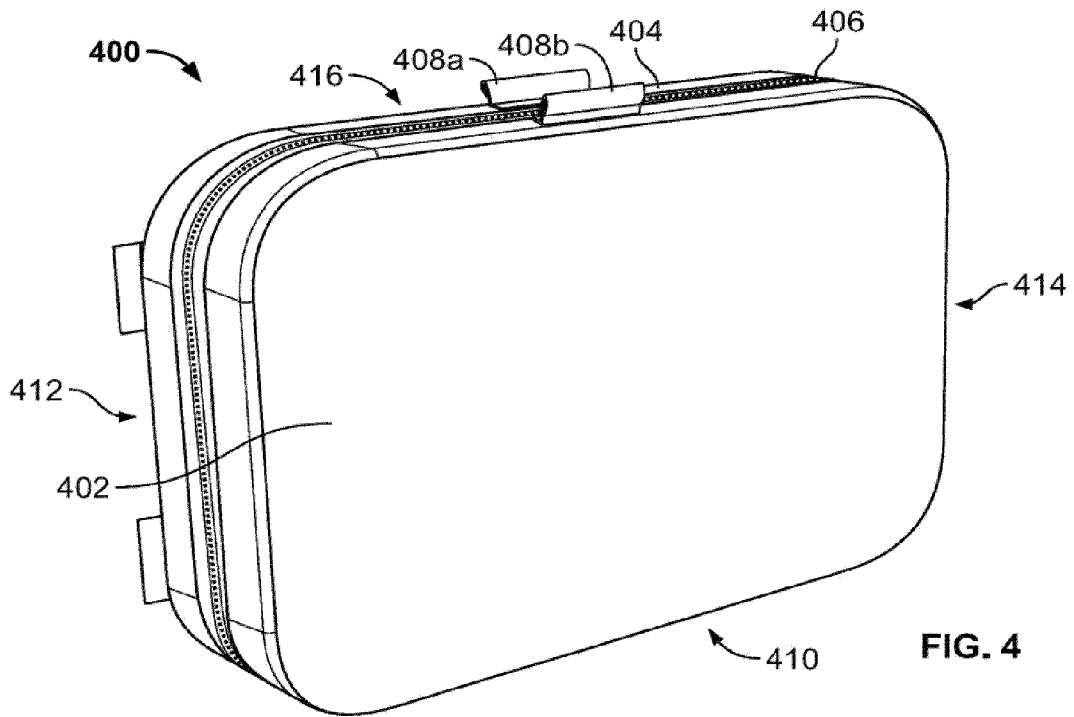


FIG. 3B



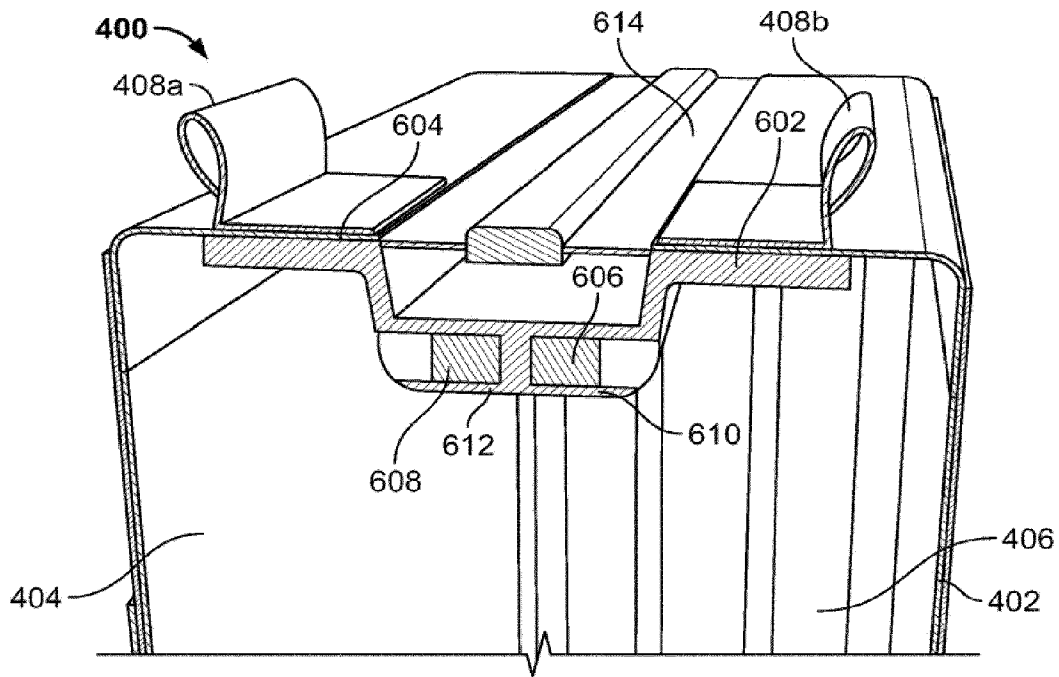


FIG. 6

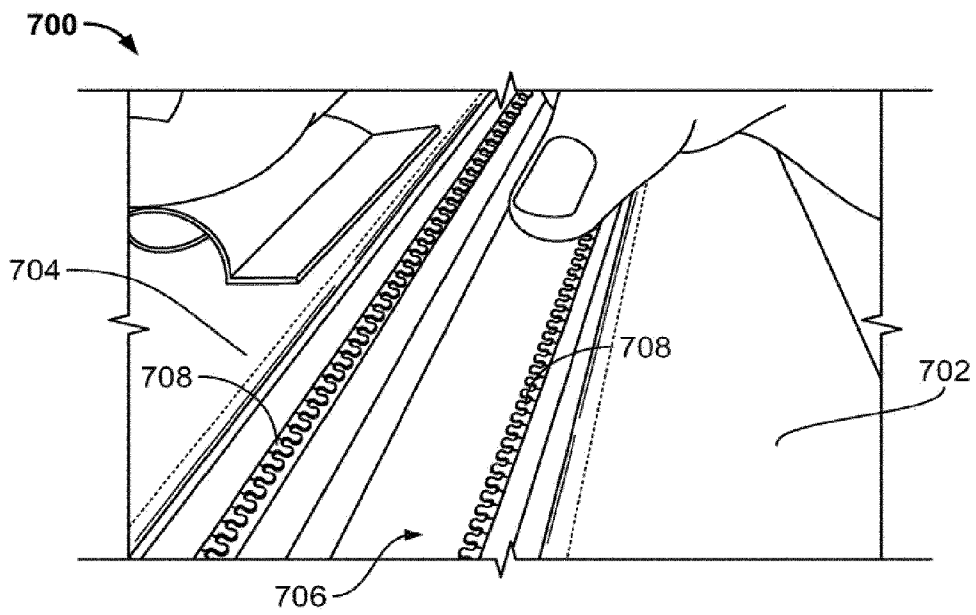


FIG. 7

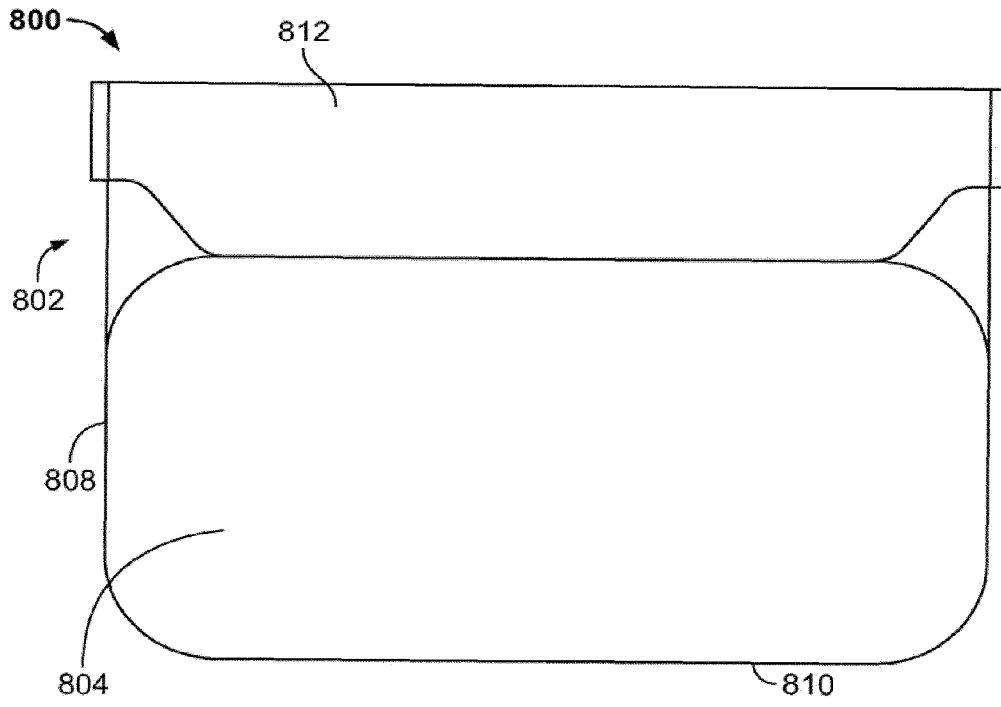


FIG. 8A

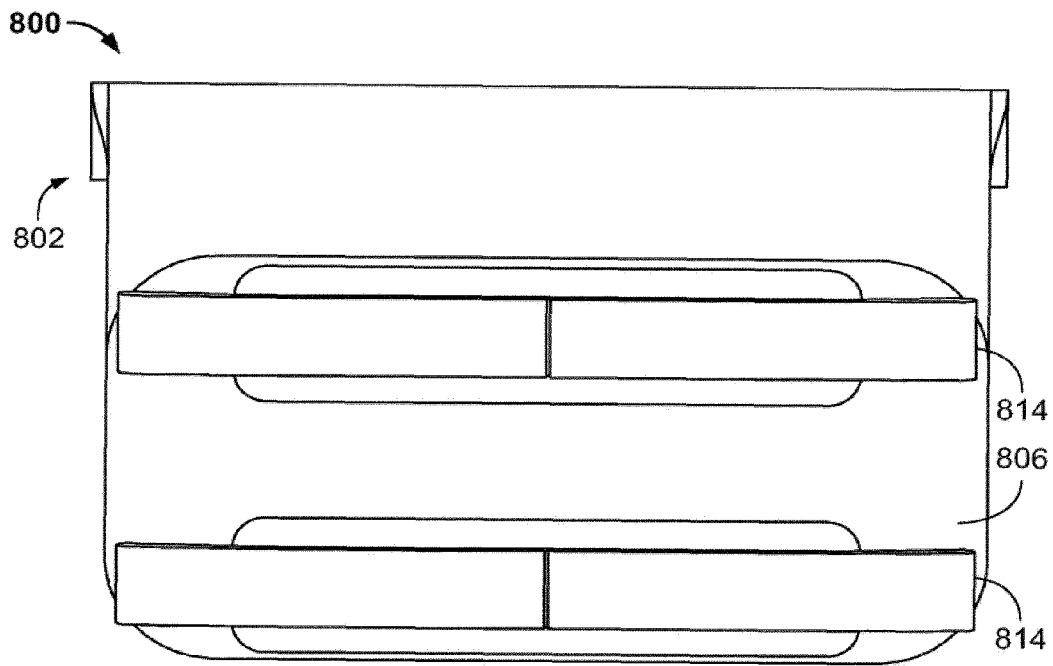


FIG. 8B

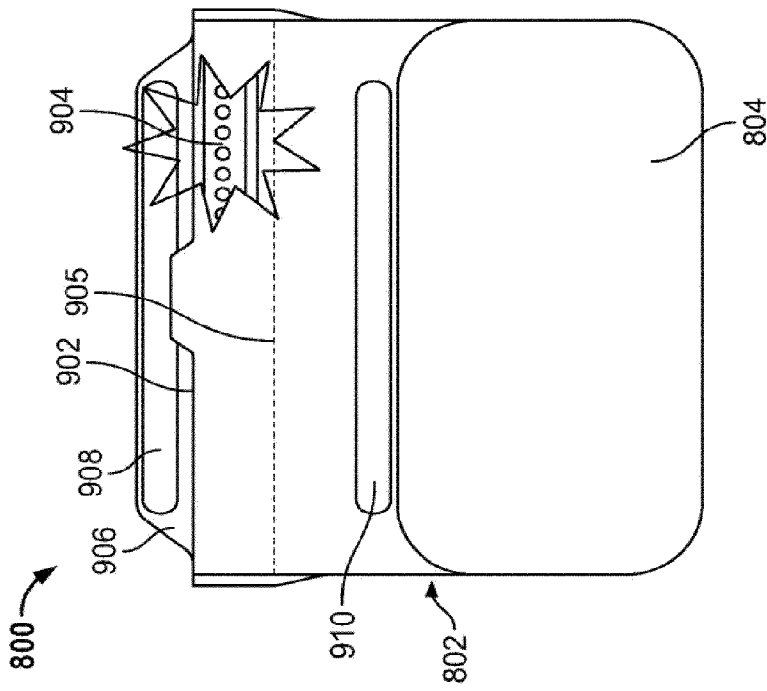


FIG. 9A

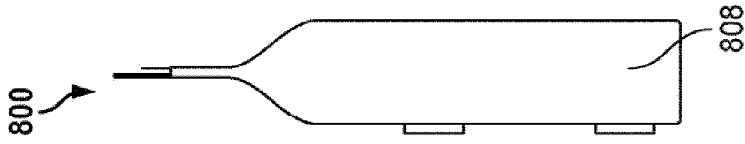


FIG. 9B

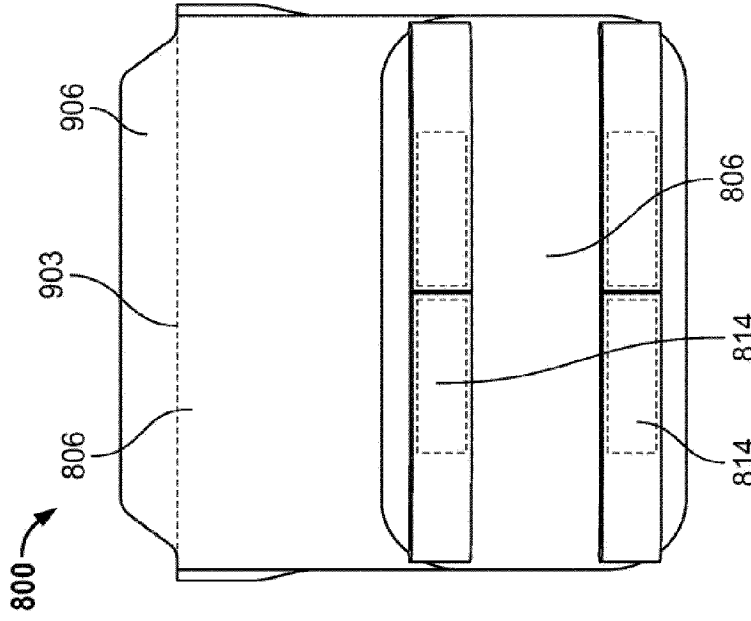


FIG. 9C

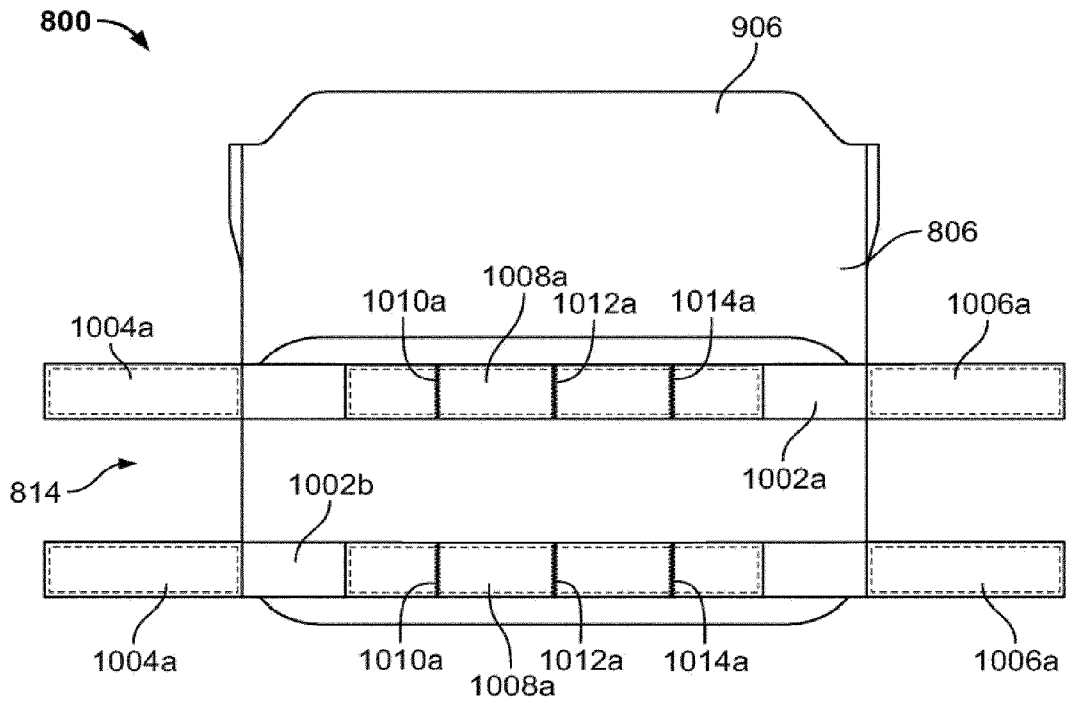


FIG. 10

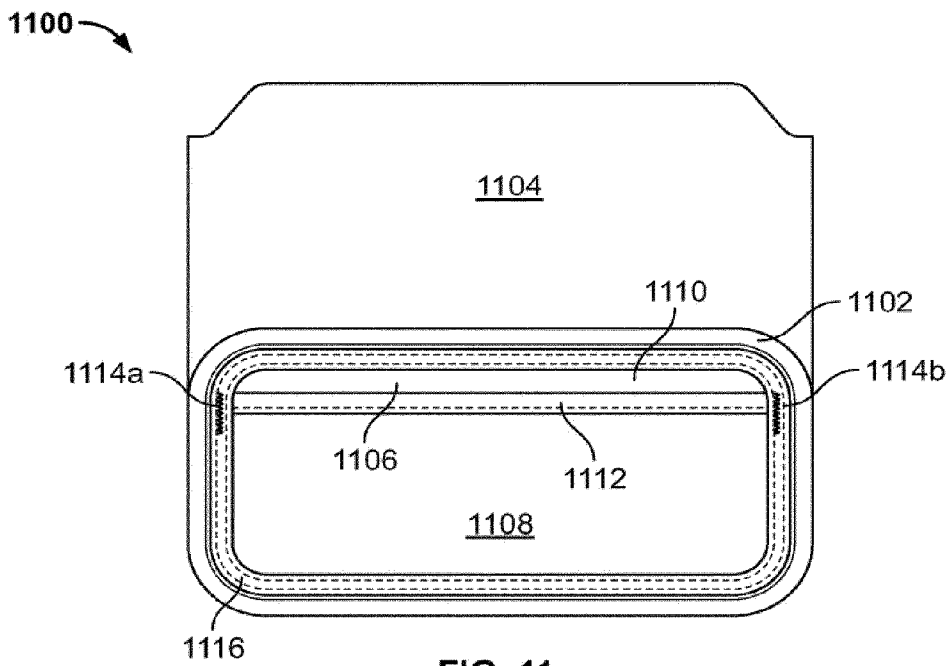


FIG. 11

1200 →

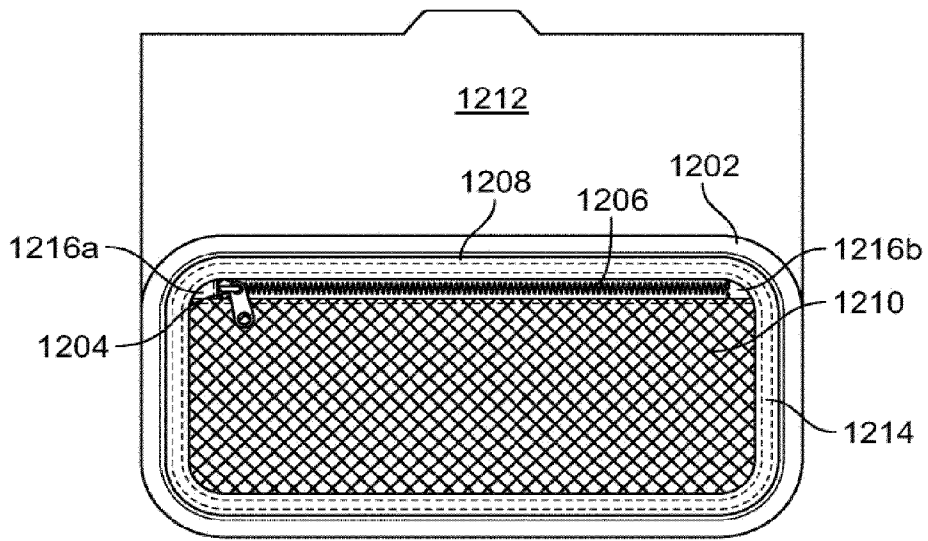
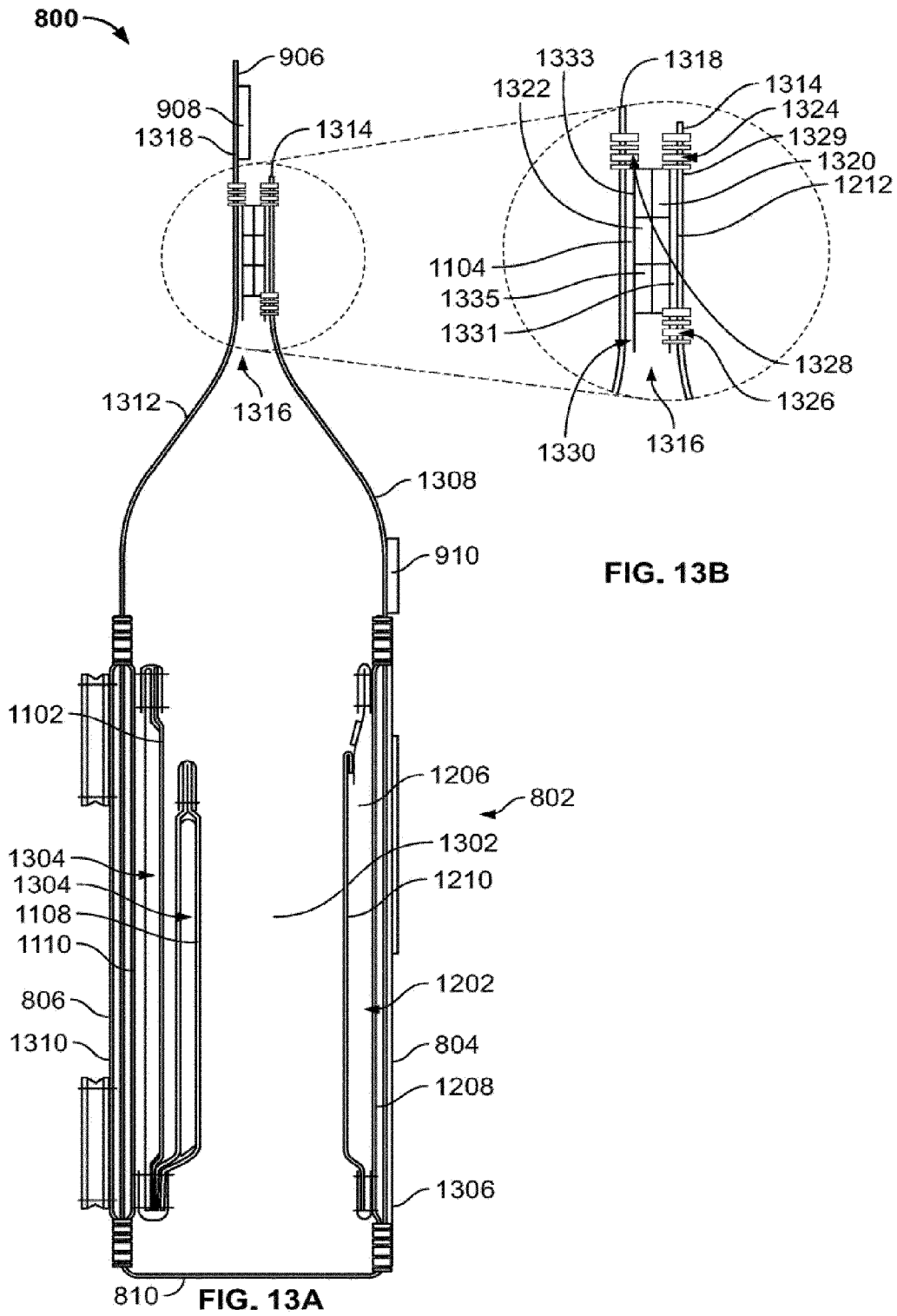


FIG. 12



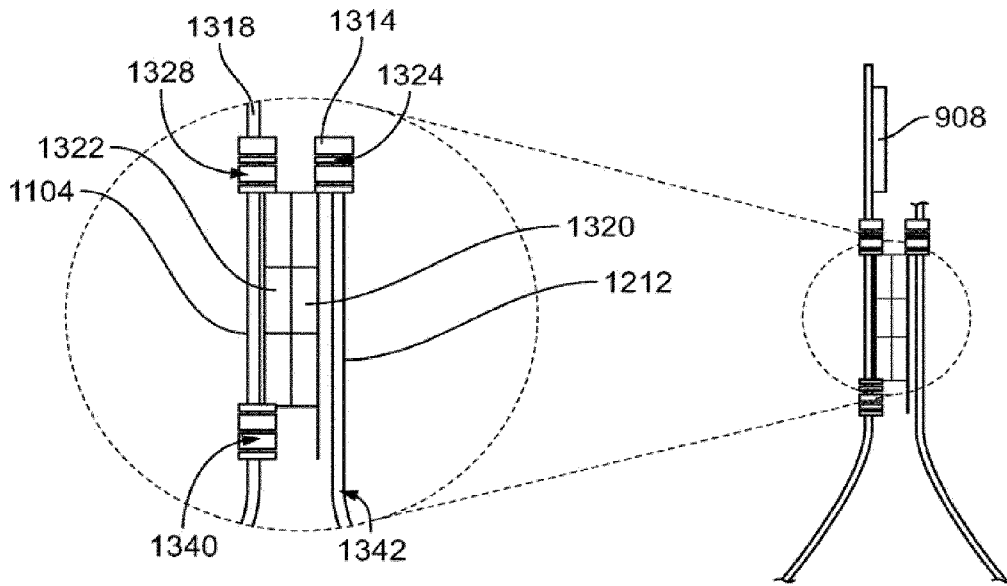


FIG. 13C

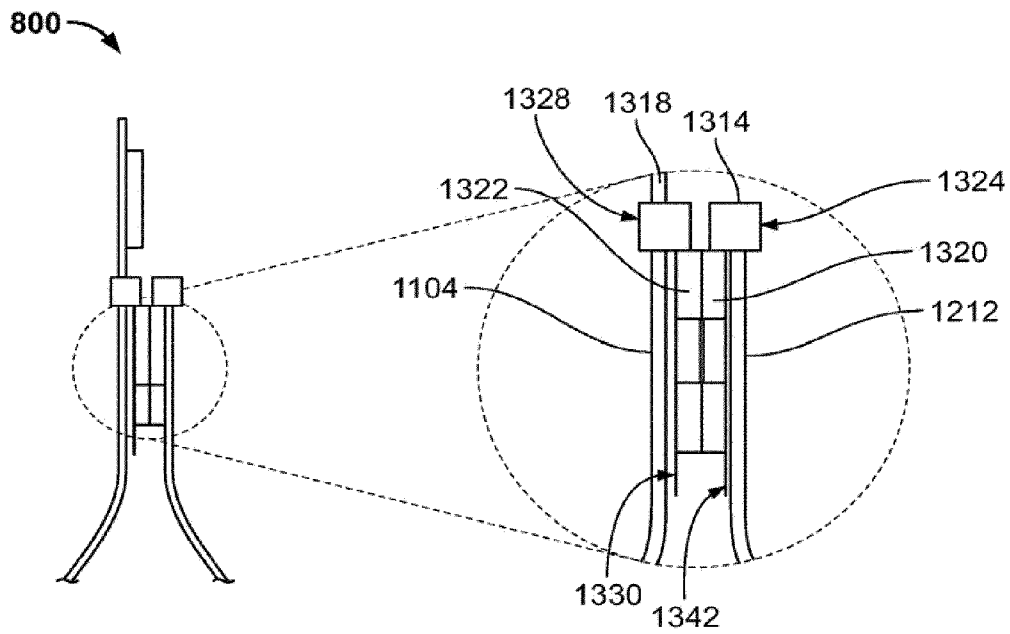


FIG. 13D

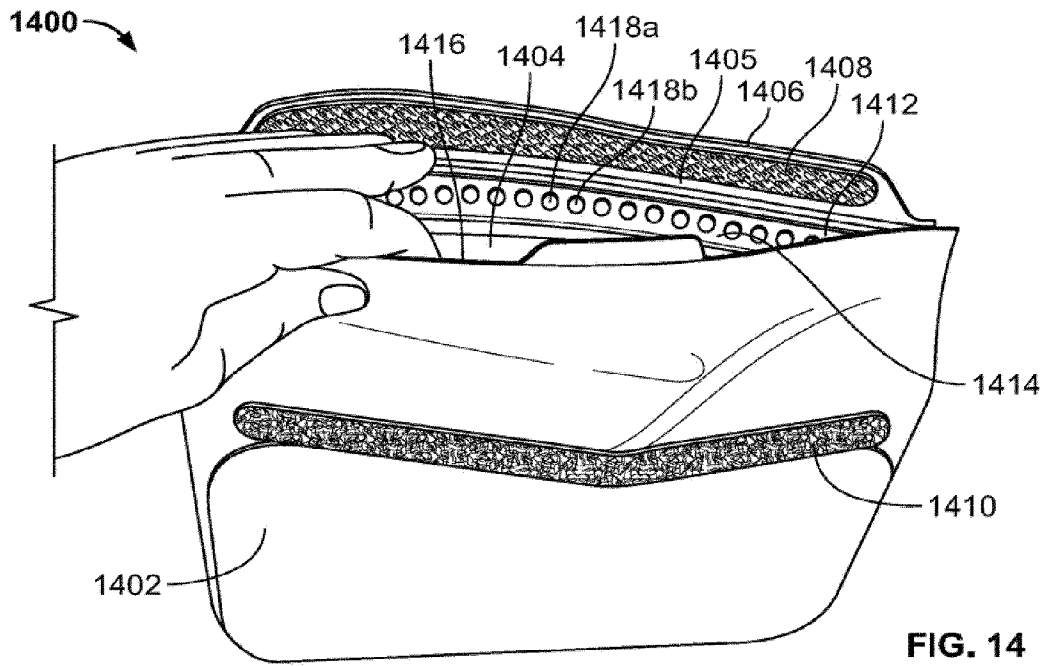


FIG. 14

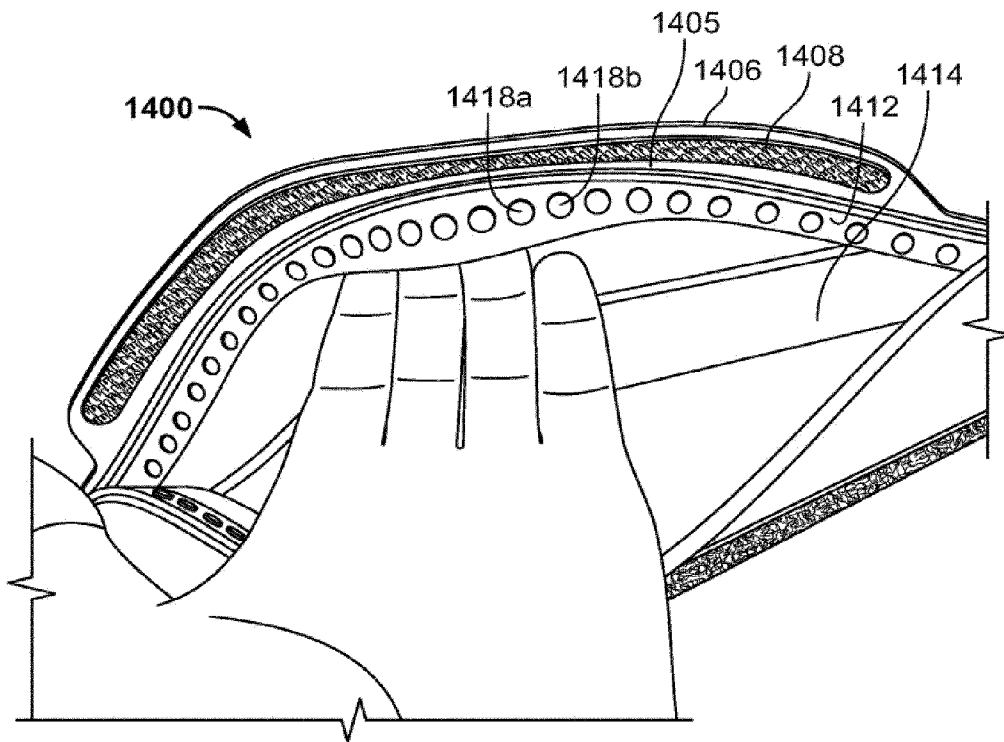


FIG. 15

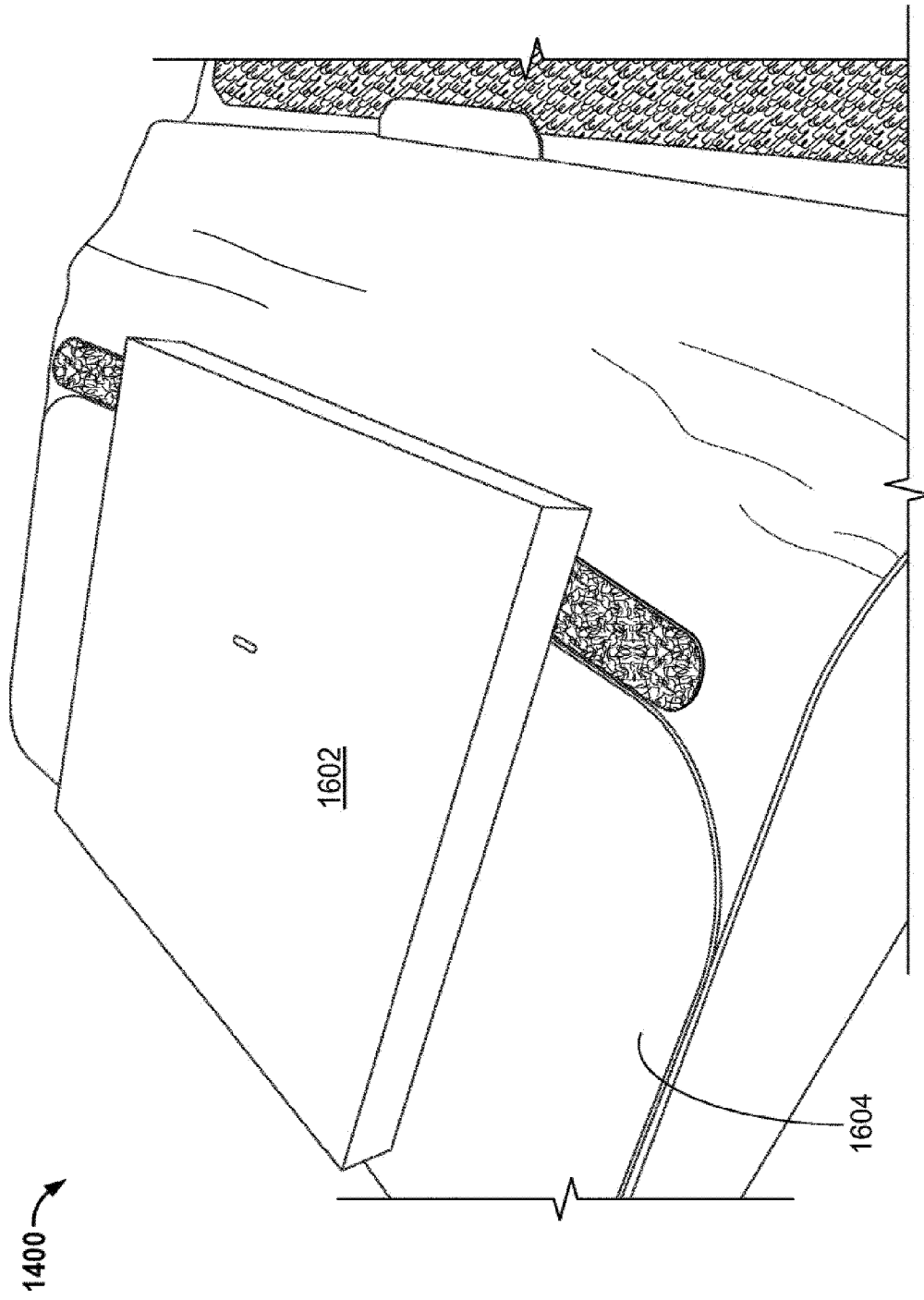


FIG. 16

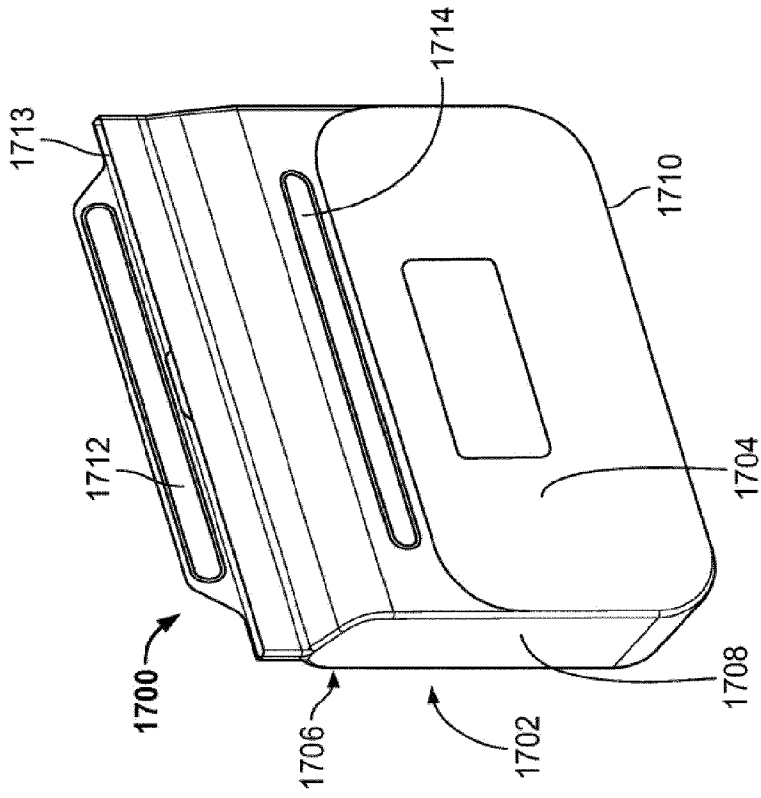


FIG. 17A

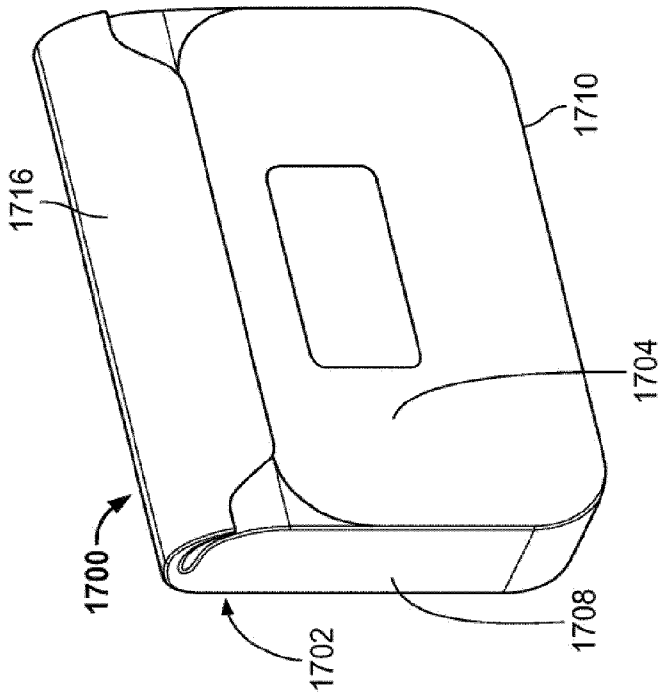


FIG. 17B

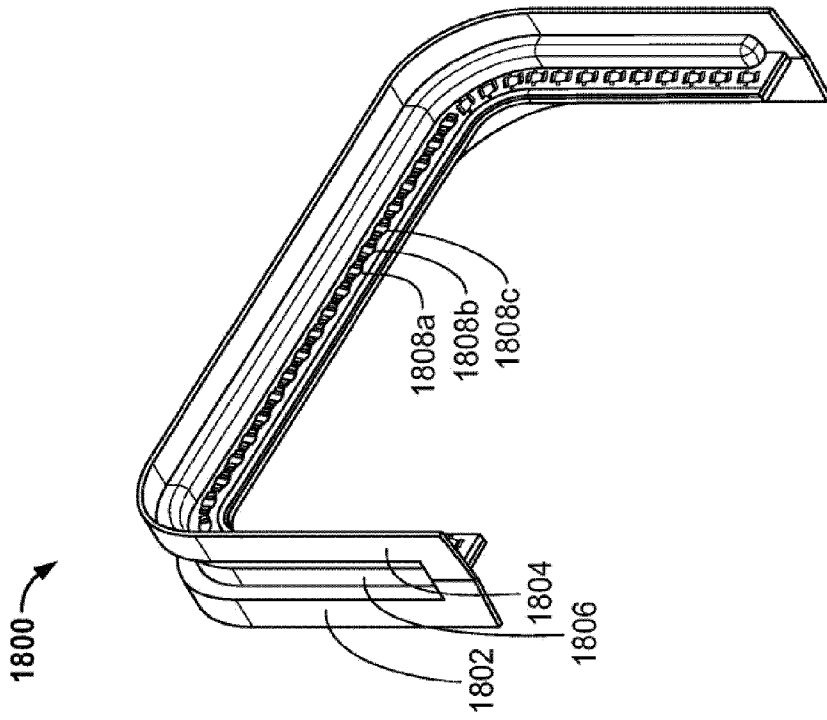


FIG. 18A

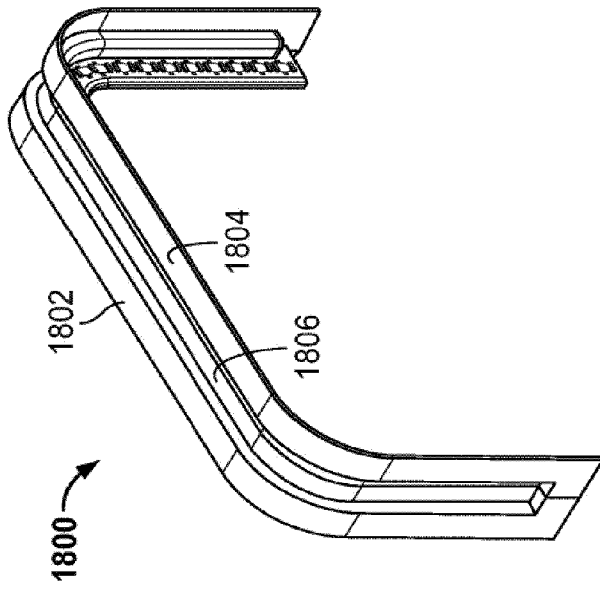


FIG. 18B

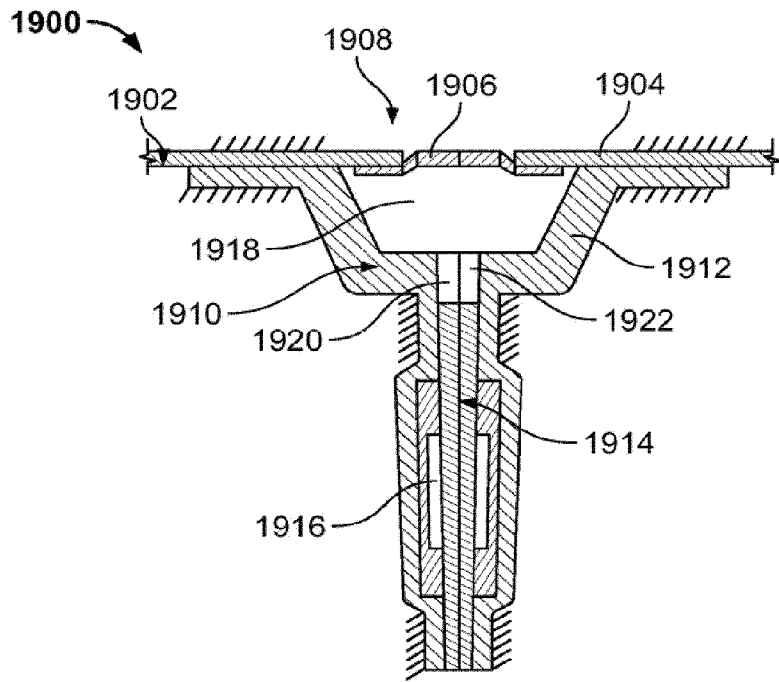


FIG. 19

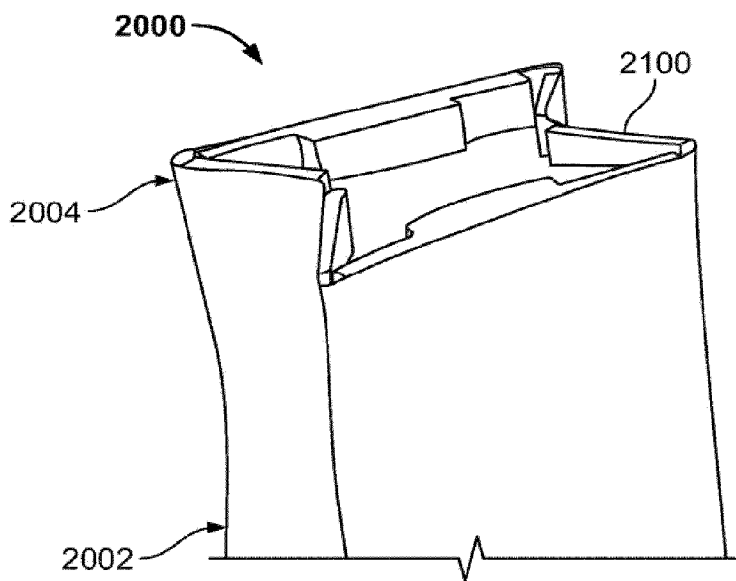


FIG. 20

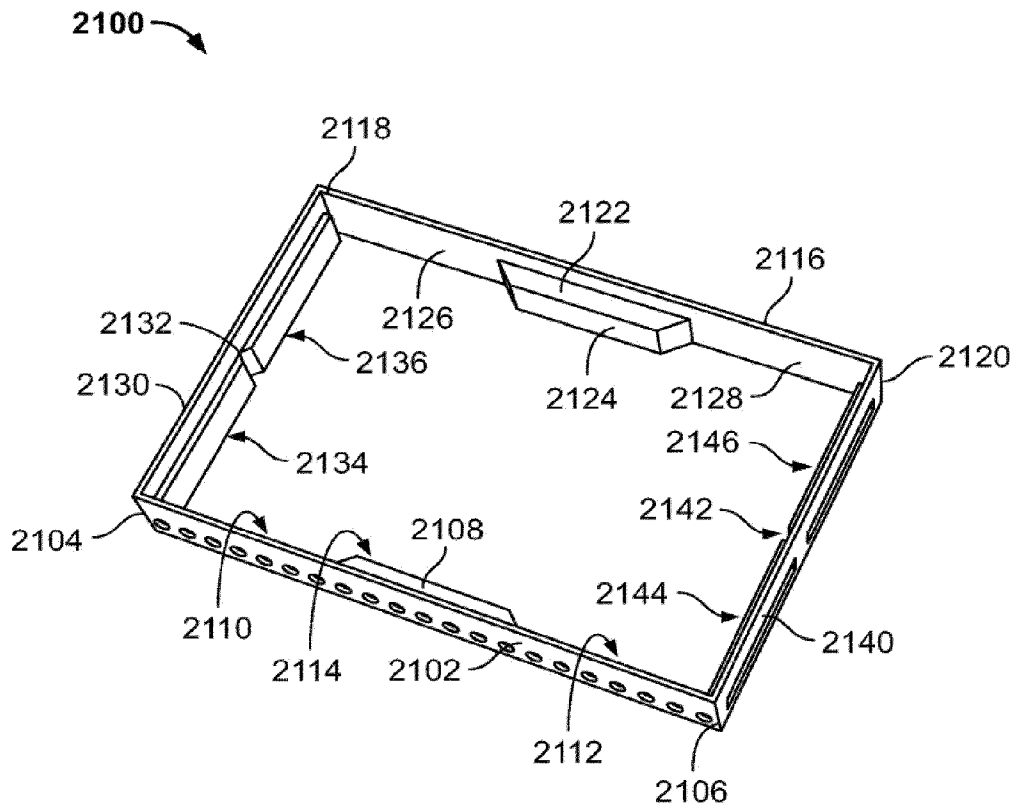


FIG. 21A

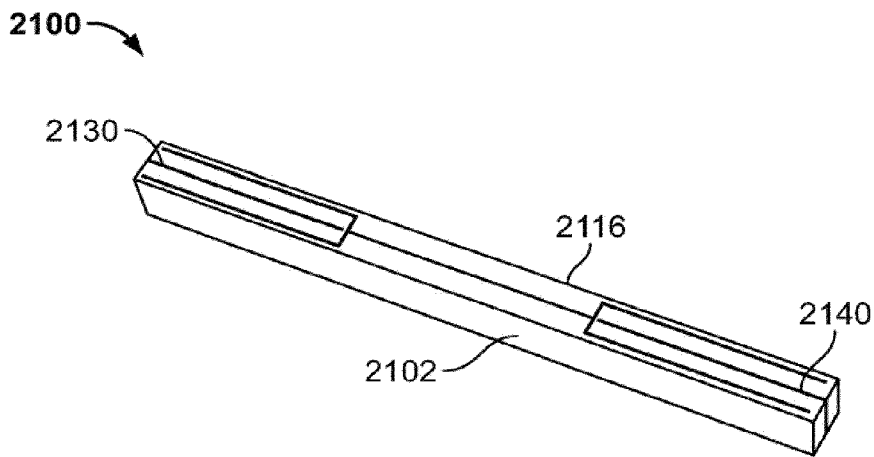


FIG. 21B

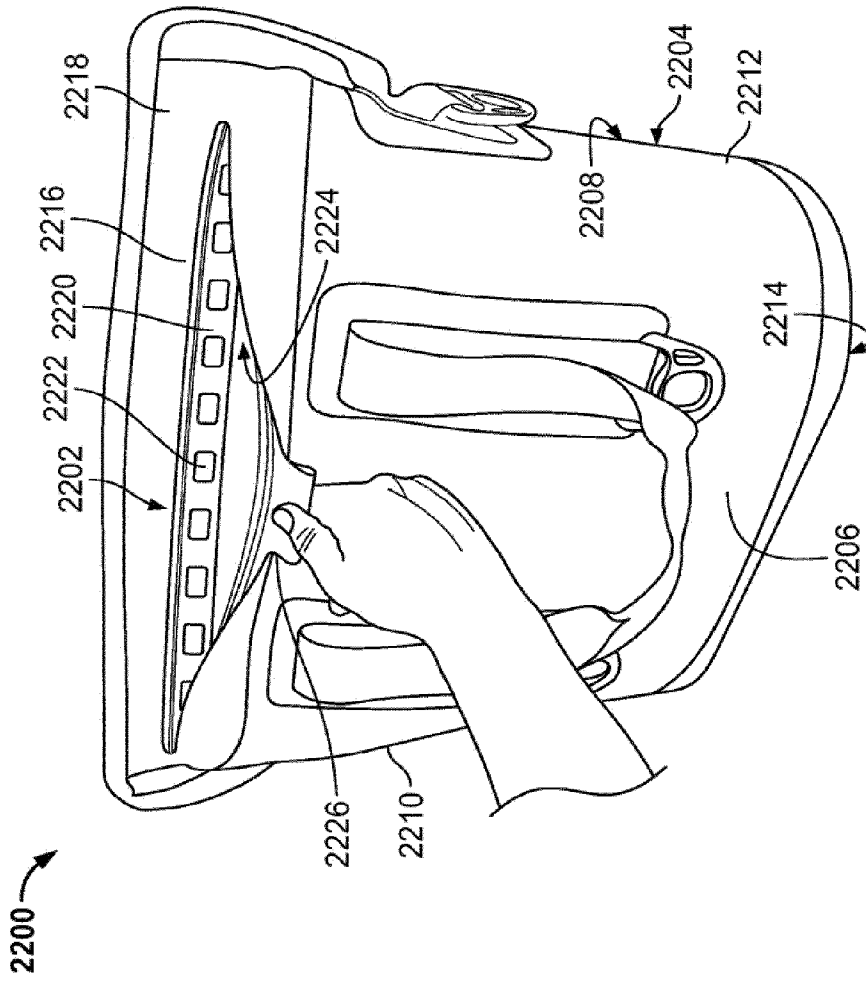


FIG. 22

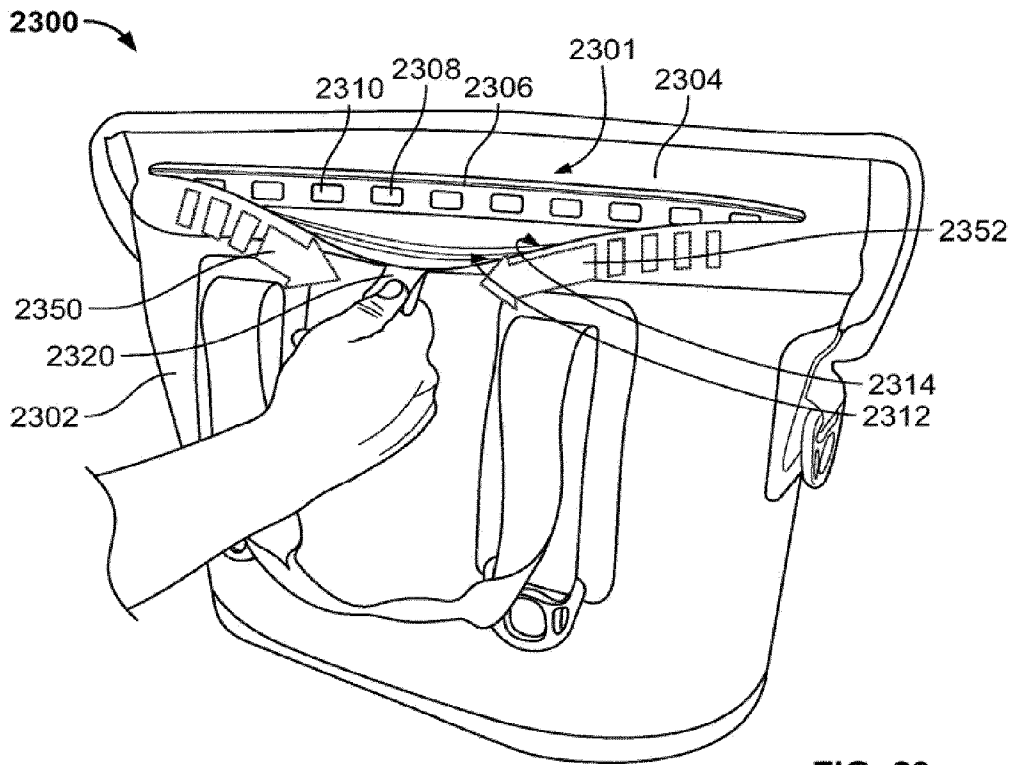


FIG. 23

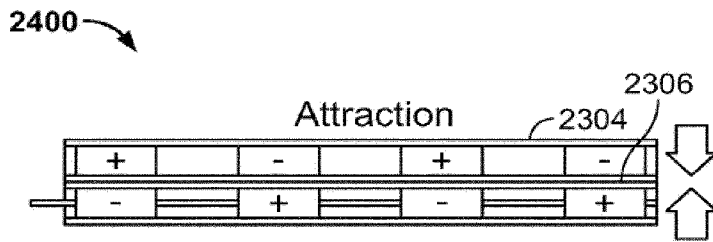


FIG. 24A

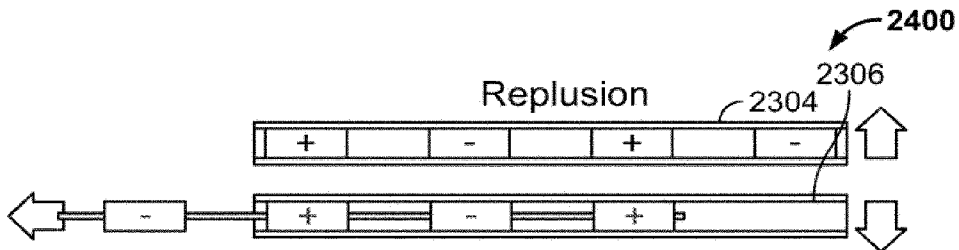


FIG. 24B

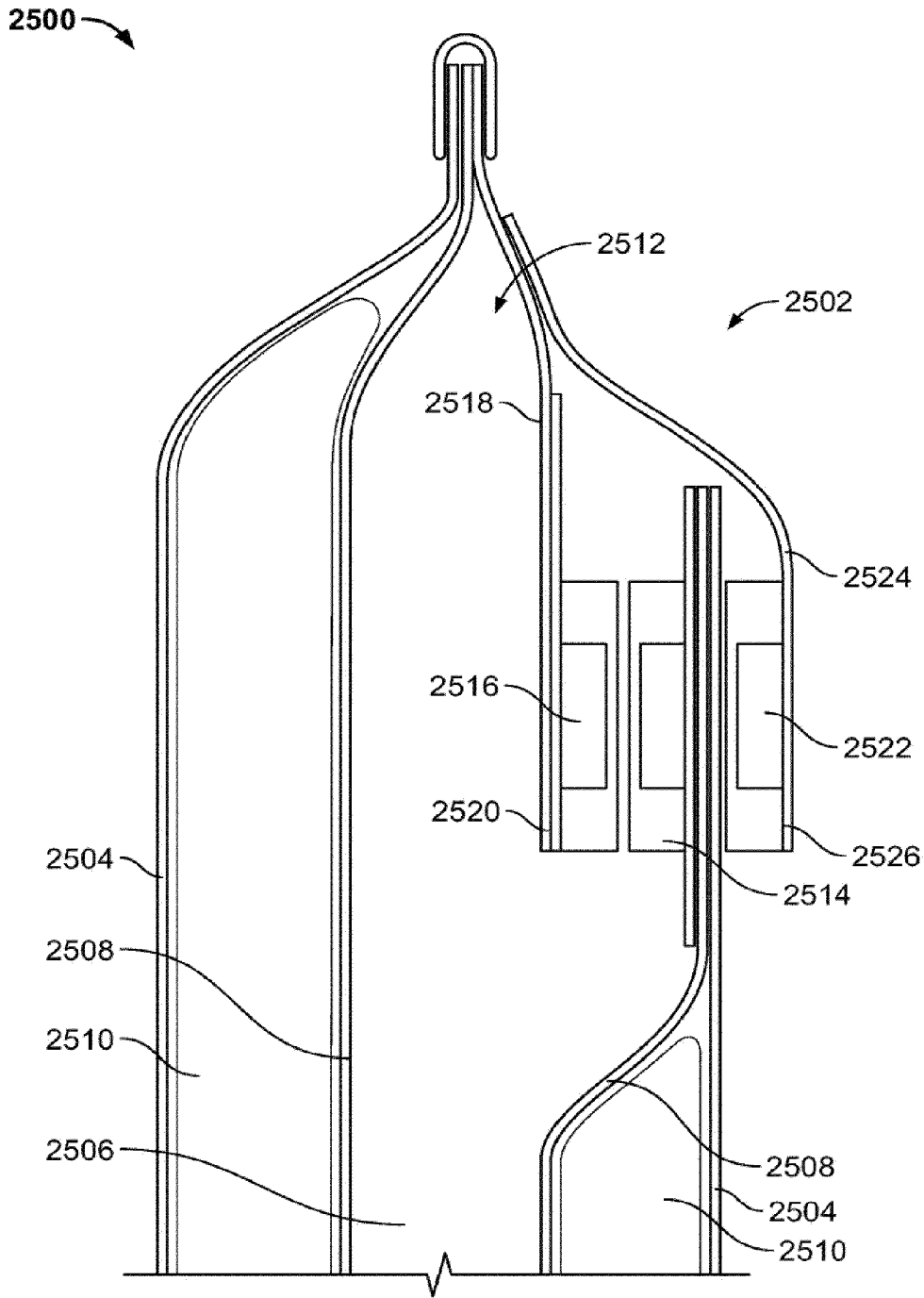


FIG. 25

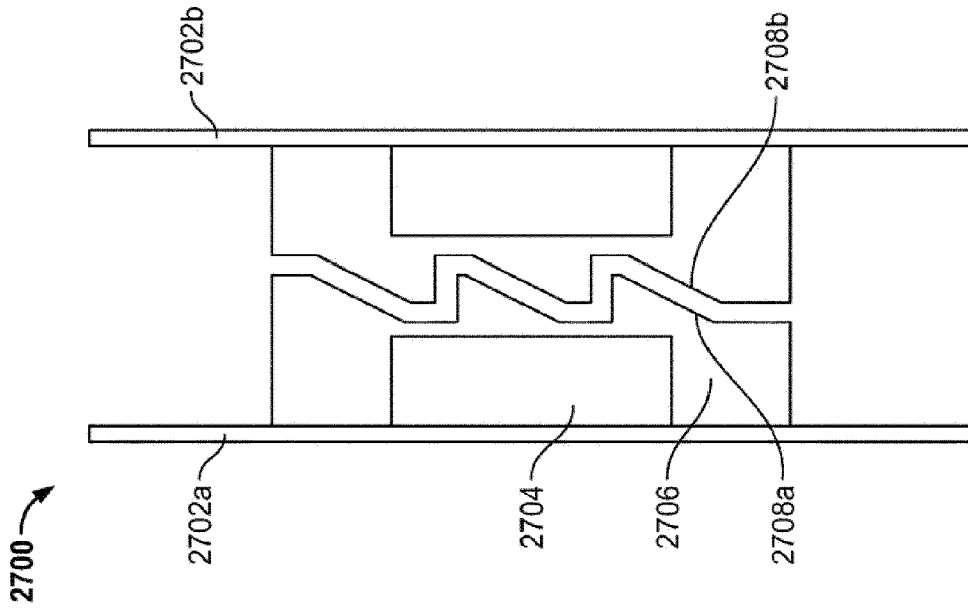


FIG. 26

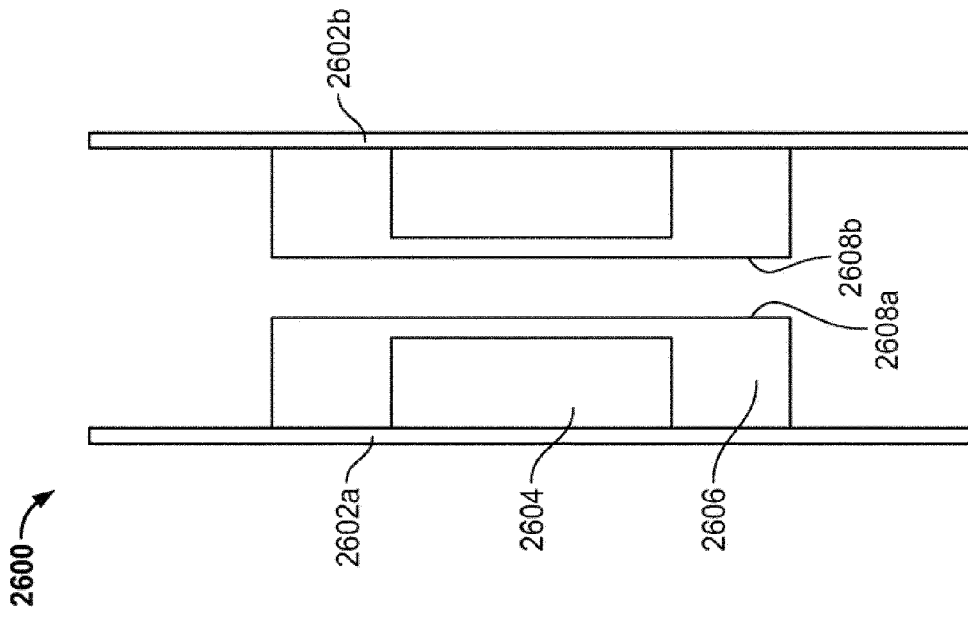


FIG. 27

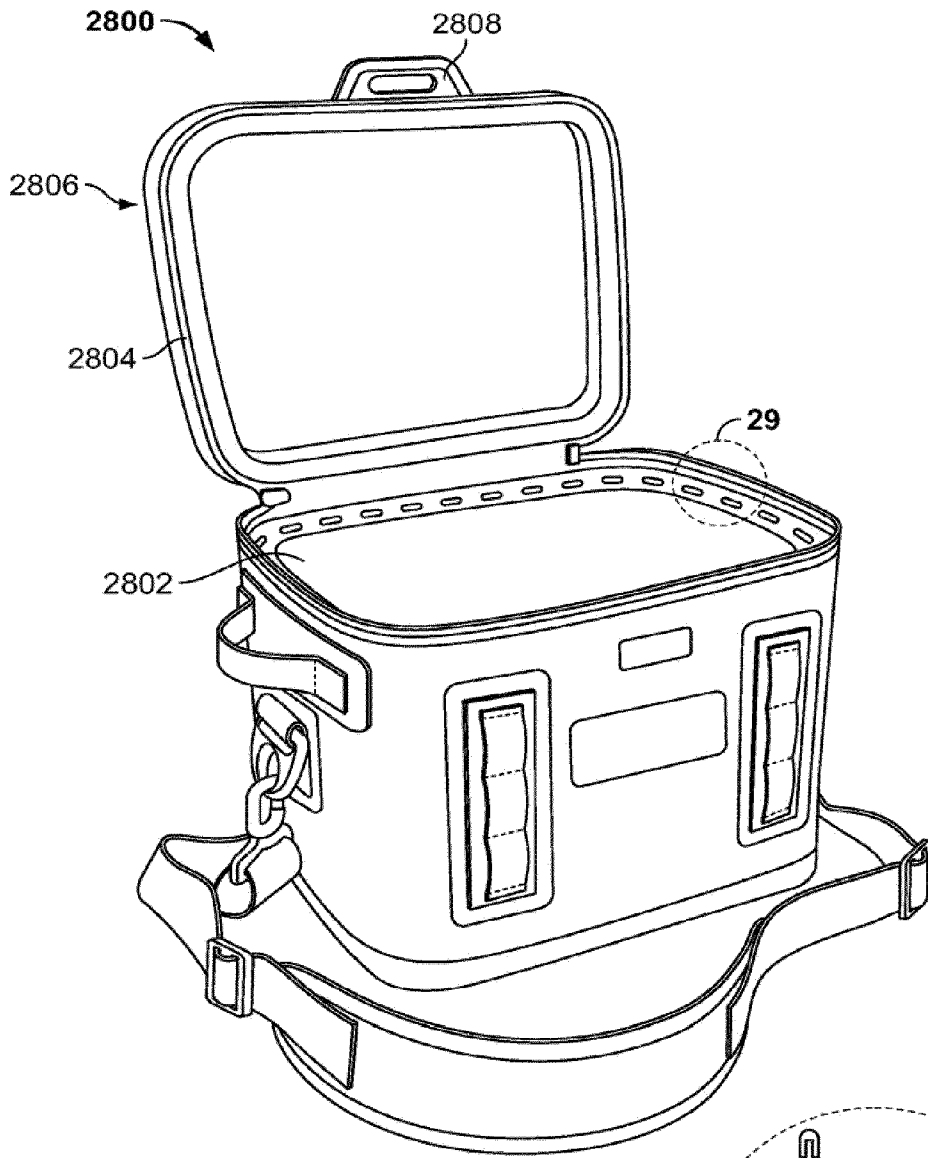


FIG. 28

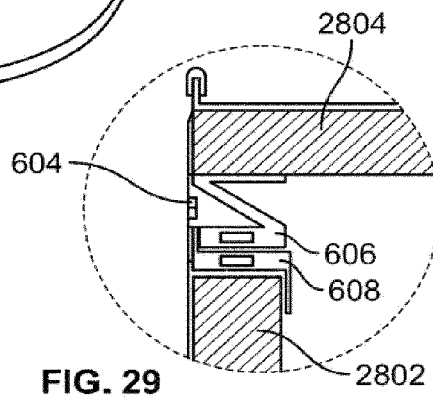


FIG. 29