

(19) World Intellectual Property Organization
International Bureau



(43) International Publication Date
14 February 2008 (14.02.2008)

(10) International Publication Number
WO 2008/018007 A3

- (51) **International Patent Classification:**
H04M 1/03 (2006.01) *H04R 1/02* (2006.01)
H04N 5/225 (2006.01)
- (21) **International Application Number:**
PCT/IB2007/053091
- (22) **International Filing Date:**
6 August 2007 (06.08.2007)
- (25) **Filing Language:** English
- (26) **Publication Language:** English
- (30) **Priority Data:**
200610109185.5 8 August 2006 (08.08.2006) EA
- (71) **Applicant (for all designated States except US):** NXP B.V. [NL/NL]; High Tech Campus 60, NL-5656 AG Eindhoven (NL).
- (72) **Inventor; and**
- (75) **Inventor/Applicant (for US only):** YUAN, Ronald [CN/CN]; c/o NXP Semiconductors Austria GmbH, Intellectual Property Department, Gutheil-Schoder-Gasse 8-12, A-1102 Vienna (AT).
- (74) **Agent:** VAN DER VEER, Johannis, Leendert; NXP Semiconductors, IP & L Department, High Tech Campus 32, NL-5656 AE Eindhoven (NL).
- (81) **Designated States (unless otherwise indicated, for every kind of national protection available):** AE, AG, AL, AM, AT, AU, AZ, BA, BB, BG, BH, BR, BW, BY, BZ, CA,

CH, CN, CO, CR, CU, CZ, DE, DK, DM, DO, DZ, EC, EE, EG, ES, FI, GB, GD, GE, GH, GM, GT, HN, HR, HU, ID, IL, IN, IS, JP, KE, KG, KM, KN, KP, KR, KZ, LA, LC, LK, LR, LS, LT, LU, LY, MA, MD, ME, MG, MK, MN, MW, MX, MY, MZ, NA, NG, NI, NO, NZ, OM, PG, PH, PL, PT, RO, RS, RU, SC, SD, SE, SG, SK, SL, SM, SV, SY, TJ, TM, TN, TR, TT, TZ, UA, UG, US, UZ, VC, VN, ZA, ZM, ZW.

(84) **Designated States (unless otherwise indicated, for every kind of regional protection available):** ARIPO (BW, GH, GM, KE, LS, MW, MZ, NA, SD, SL, SZ, TZ, UG, ZM, ZW), Eurasian (AM, AZ, BY, KG, KZ, MD, RU, TJ, TM), European (AT, BE, BG, CH, CY, CZ, DE, DK, EE, ES, FI, FR, GB, GR, HU, IE, IS, IT, LT, LU, LV, MC, MT, NL, PL, PT, RO, SE, SI, SK, TR), OAPI (BF, BJ, CF, CG, CI, CM, GA, GN, GQ, GW, ML, MR, NE, SN, TD, TG).

Declarations under Rule 4.17:

- as to applicant's entitlement to apply for and be granted a patent (Rule 4.17(ii))
- as to the applicant's entitlement to claim the priority of the earlier application (Rule 4.17(iii))

Published:

- with international search report (Art. 21(3))

(88) **Date of publication of the international search report:**
15 October 2009

(54) **Title:** COMBINATION DEVICE OF SPEAKER AND CAMERA OPTICAL SYSTEM

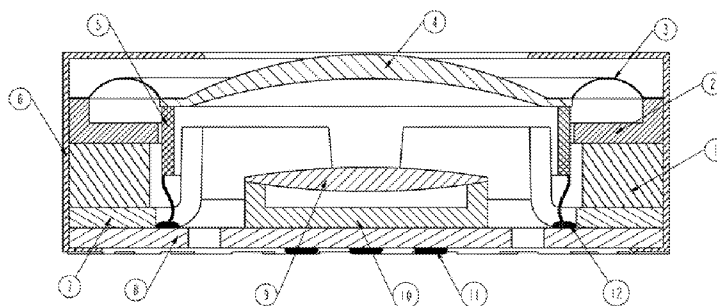


FIG. 4

(57) **Abstract:** In the device according to this invention, a vibrating diaphragm and a magnetic conduction plate are improved, so that the vibrating diaphragm of the speaker, under the action of magnetic force excited by different electrical signals, can convert an acoustoelectric signal into voice, can resonate together with a coil, and can be as a movable lens to constitute an optical focusing/zooming system together with lens of the camera optical system, respectively, so that the space of the mobile terminal occupied by the combination device can be saved, and the sound quality of the speaker also can be improved.

WO 2008/018007 A3

INTERNATIONAL SEARCH REPORT

International application No
PCT/IB2007/053091

A. CLASSIFICATION OF SUBJECT MATTER
INV. H04M1/03 H04N5/225 H04R1/02

According to International Patent Classification (IPC) or to both national classification and IPC

B. FIELDS SEARCHED

Minimum documentation searched (classification system followed by classification symbols)
H04R H04M H04N

Documentation searched other than minimum documentation to the extent that such documents are included in the fields searched

Electronic data base consulted during the international search (name of data base and, where practical, search terms used)

EPO-Internal

C. DOCUMENTS CONSIDERED TO BE RELEVANT

Category*	Citation of document, with indication, where appropriate, of the relevant passages	Relevant to claim No.
X	US 2005/128322 A1 (EATON CHRIS [US] ET AL) 16 June 2005 (2005-06-16) paragraphs [0019], [0020], [0025] - [0028], [0031], [0032]; figures 2,4-6 -----	1-8
A	WO 2005/114990 A (SONY ERICSSON MOBILE COMM AB [SE]; GUSTAVSSON STEFAN [SE]; MADSEN HENN) 1 December 2005 (2005-12-01) paragraphs [0015] - [0020]; figure 1 -----	1-8
A	US 2003/043478 A1 (CHOI WOON HA [KR] ET AL) 6 March 2003 (2003-03-06) paragraphs [0029], [0030]; figure 3 -----	1
A	WO 01/41322 A (LEE JAE SUNG [KR]) 7 June 2001 (2001-06-07) page 11, line 10 - page 16, line 3; figure 3 -----	6,7

Further documents are listed in the continuation of Box C.

See patent family annex.

* Special categories of cited documents :

- *A* document defining the general state of the art which is not considered to be of particular relevance
- *E* earlier document but published on or after the international filing date
- *L* document which may throw doubts on priority claim(s) or which is cited to establish the publication date of another citation or other special reason (as specified)
- *O* document referring to an oral disclosure, use, exhibition or other means
- *P* document published prior to the international filing date but later than the priority date claimed

- *T* later document published after the international filing date or priority date and not in conflict with the application but cited to understand the principle or theory underlying the invention
- *X* document of particular relevance; the claimed invention cannot be considered novel or cannot be considered to involve an inventive step when the document is taken alone
- *Y* document of particular relevance; the claimed invention cannot be considered to involve an inventive step when the document is combined with one or more other such documents, such combination being obvious to a person skilled in the art.
- *G* document member of the same patent family

Date of the actual completion of the international search

9 January 2008

Date of mailing of the international search report

21/01/2008

Name and mailing address of the ISA/
European Patent Office, P.B. 5818 Patentlaan 2
NL - 2280 HV Rijswijk
Tel. (+31-70) 340-2040, Tx. 31 651 epo nl,
Fax: (+31-70) 340-3016

Authorized officer

Righetti, Marco

INTERNATIONAL SEARCH REPORT

Information on patent family members

International application No

PCT/IB2007/053091

Patent document cited in search report	Publication date	Patent family member(s)	Publication date	
US 2005128322	A1	16-06-2005	CN 1914900 A	14-02-2007
			EP 1709794 A1	11-10-2006
			JP 2007514368 T	31-05-2007
			WO 2005062604 A1	07-07-2005
WO 2005114990	A	01-12-2005	US 2005253957 A1	17-11-2005
US 2003043478	A1	06-03-2003	CN 1402036 A	12-03-2003
			JP 2003075712 A	12-03-2003
			KR 20030019661 A	07-03-2003
WO 0141322	A	07-06-2001	KR 20010062051 A	07-07-2001