



US00D720410S

(12) **United States Design Patent**
Brandt

(10) **Patent No.:** **US D720,410 S**

(45) **Date of Patent:** **** Dec. 30, 2014**

(54) **GOLF PUTTER HEAD**

(71) Applicant: **Richard Brandt**, Miami Beach, FL (US)

(72) Inventor: **Richard Brandt**, Miami Beach, FL (US)

(**) Term: **14 Years**

(21) Appl. No.: **29/469,866**

(22) Filed: **Oct. 15, 2013**

(51) **LOC (10) Cl.** **21-02**

(52) **U.S. Cl.**
USPC **D21/736**

(58) **Field of Classification Search**
USPC D21/736-746; 473/324-331, 251-256,
473/340-341
See application file for complete search history.

(56) **References Cited**

U.S. PATENT DOCUMENTS

D497,401 S *	10/2004	Zimmerman	D21/736
D529,109 S *	9/2006	Jones	D21/743
D595,370 S *	6/2009	Ines et al.	D21/736
D600,295 S *	9/2009	Meeks	D21/744
D606,139 S *	12/2009	Ines et al.	D21/736
D607,952 S *	1/2010	Demkowski et al.	D21/743

D627,840 S *	11/2010	Cameron	D21/736
8,328,654 B2 *	12/2012	Demkowski et al.	473/248
D701,928 S *	4/2014	Cameron	D21/736

* cited by examiner

Primary Examiner — Mitchell Siegel

(74) *Attorney, Agent, or Firm* — Robert D. Katz, Esq.;
Eaton & Van Winkle LLP

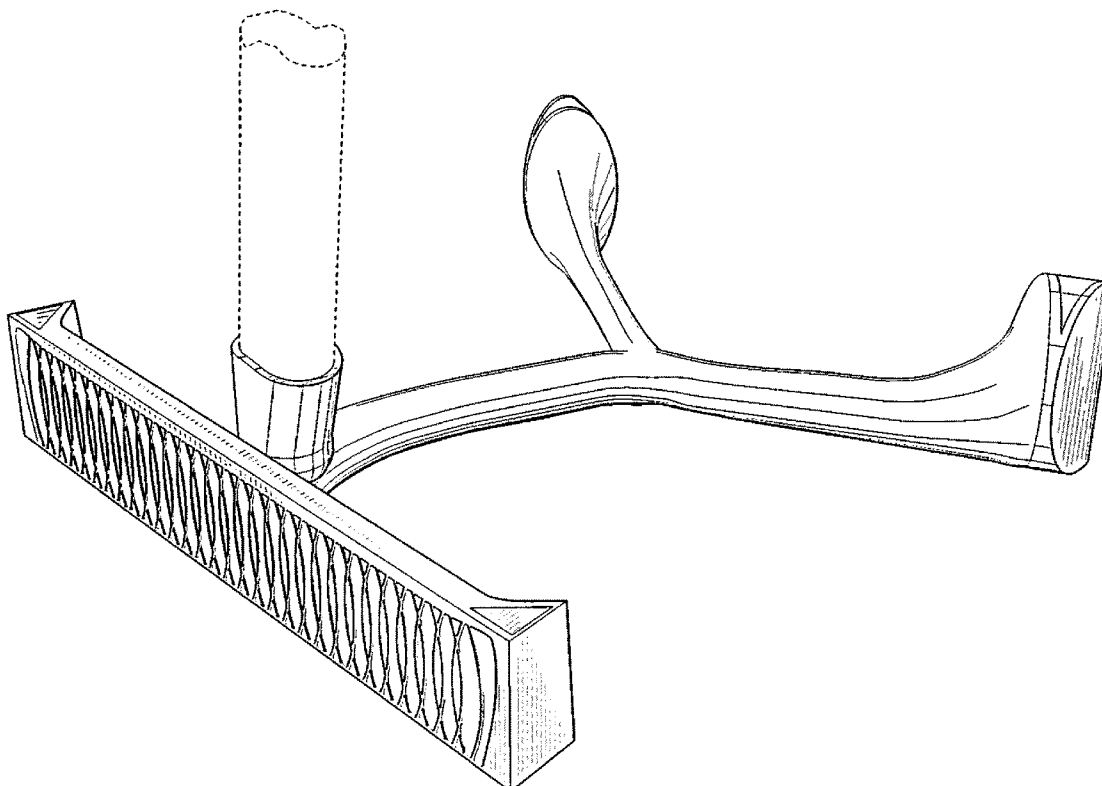
(57) **CLAIM**

An ornamental design for a golf putter head, as shown and described.

DESCRIPTION

FIG. 1 is a perspective view of a golf putter head embodying the ornamental design of my invention;
FIG. 2 is a front view of the ornamental design of FIG. 1;
FIG. 3 is a rear view of the ornamental design of FIG. 1;
FIG. 4 is a side view of a first side of the ornamental design of FIG. 1;
FIG. 5 is a side view of a second side of the ornamental design of FIG. 1;
FIG. 6 is a top view of the ornamental design of FIG. 1; and
FIG. 7 is a bottom view of the ornamental design of FIG. 1.
The broken line showing is included for the purpose of illustrating and forms no part of the claimed design.

1 Claim, 5 Drawing Sheets



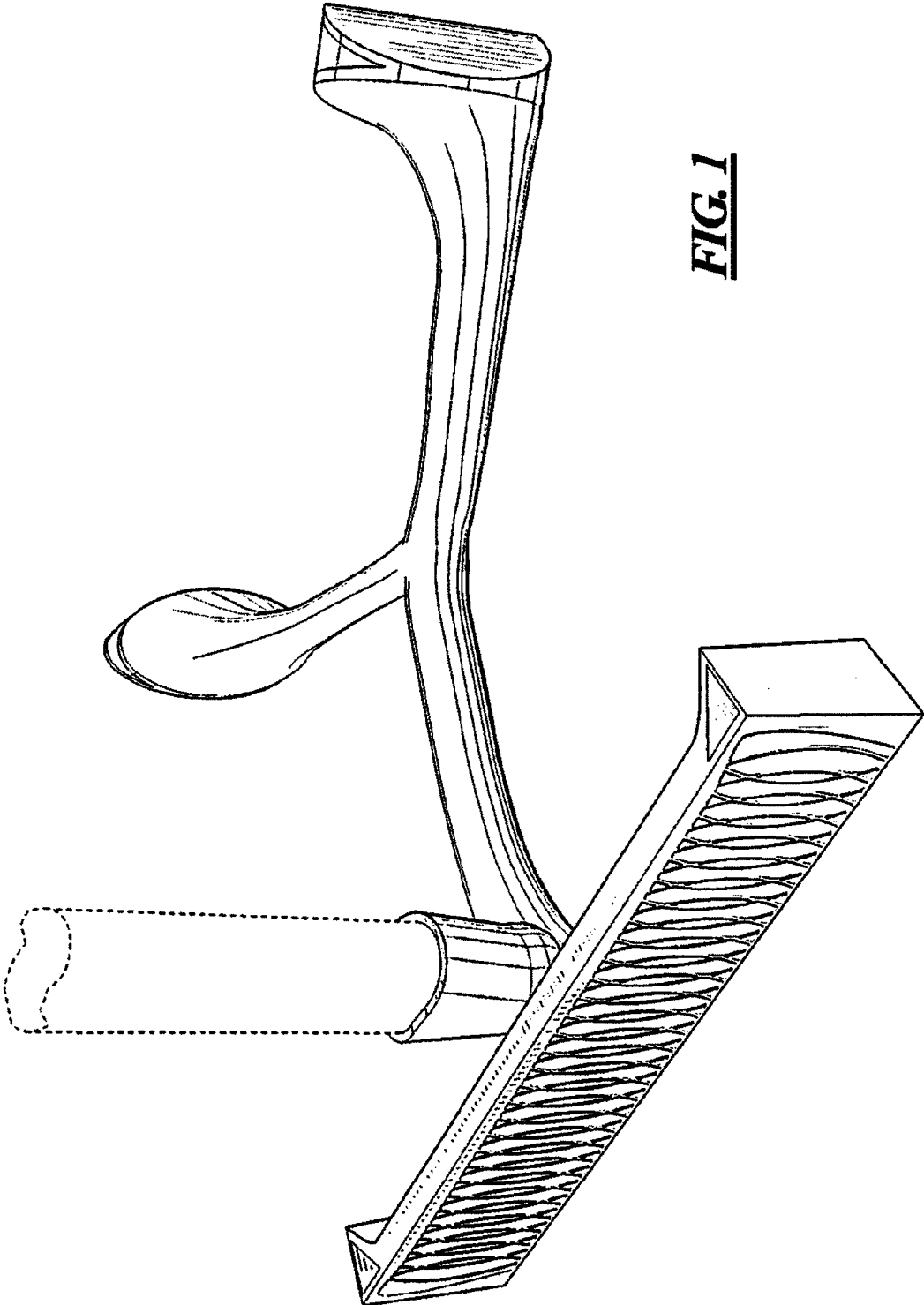


FIG. 1

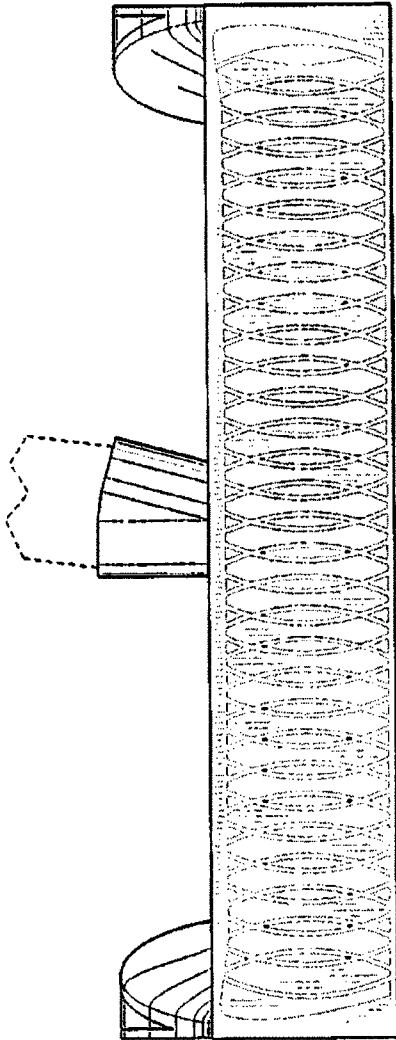


FIG. 2

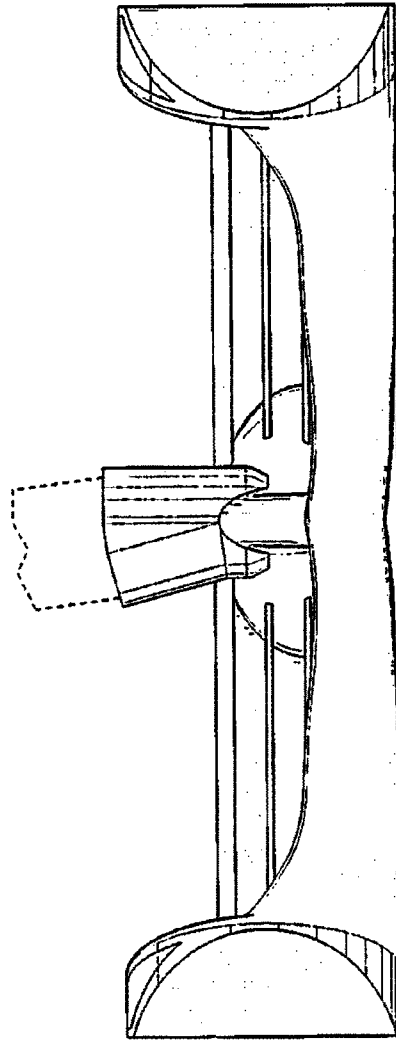


FIG. 3

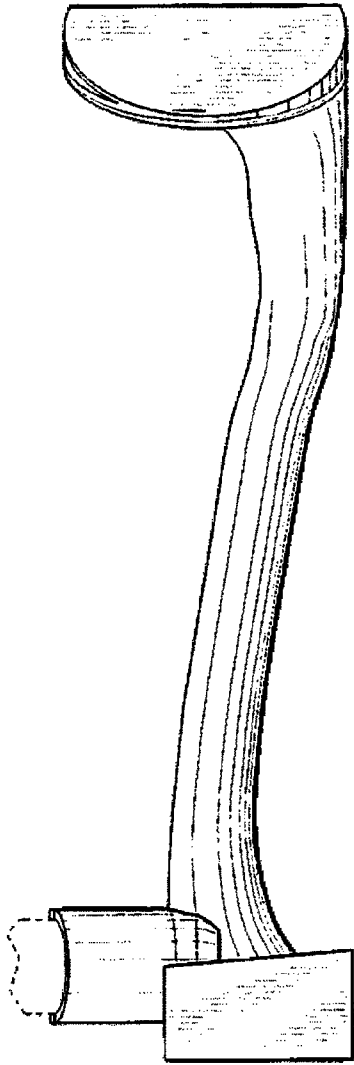


FIG. 4

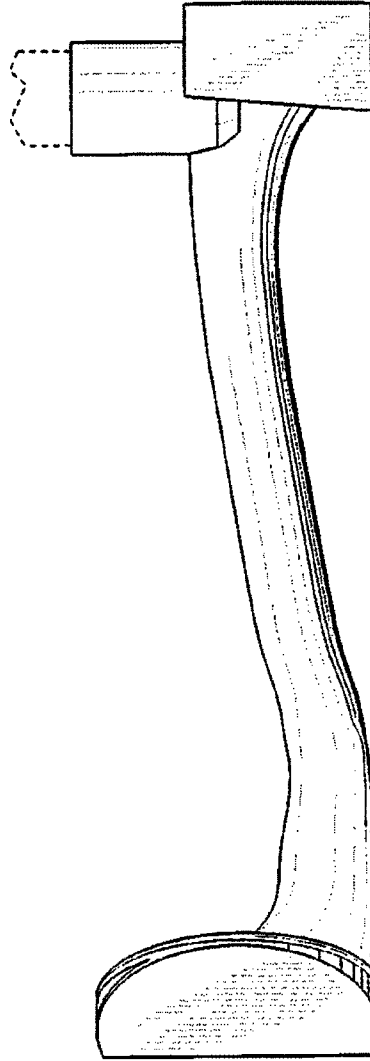


FIG. 5

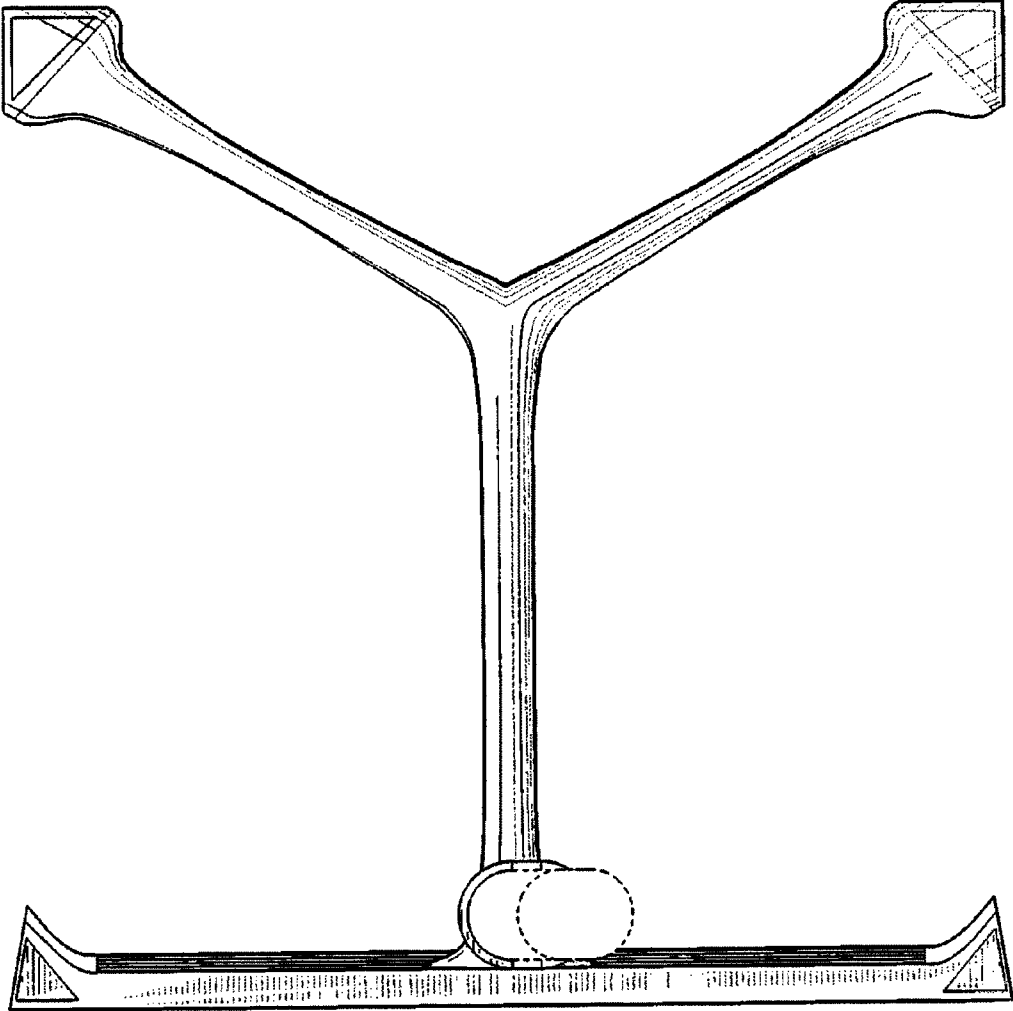


FIG. 6

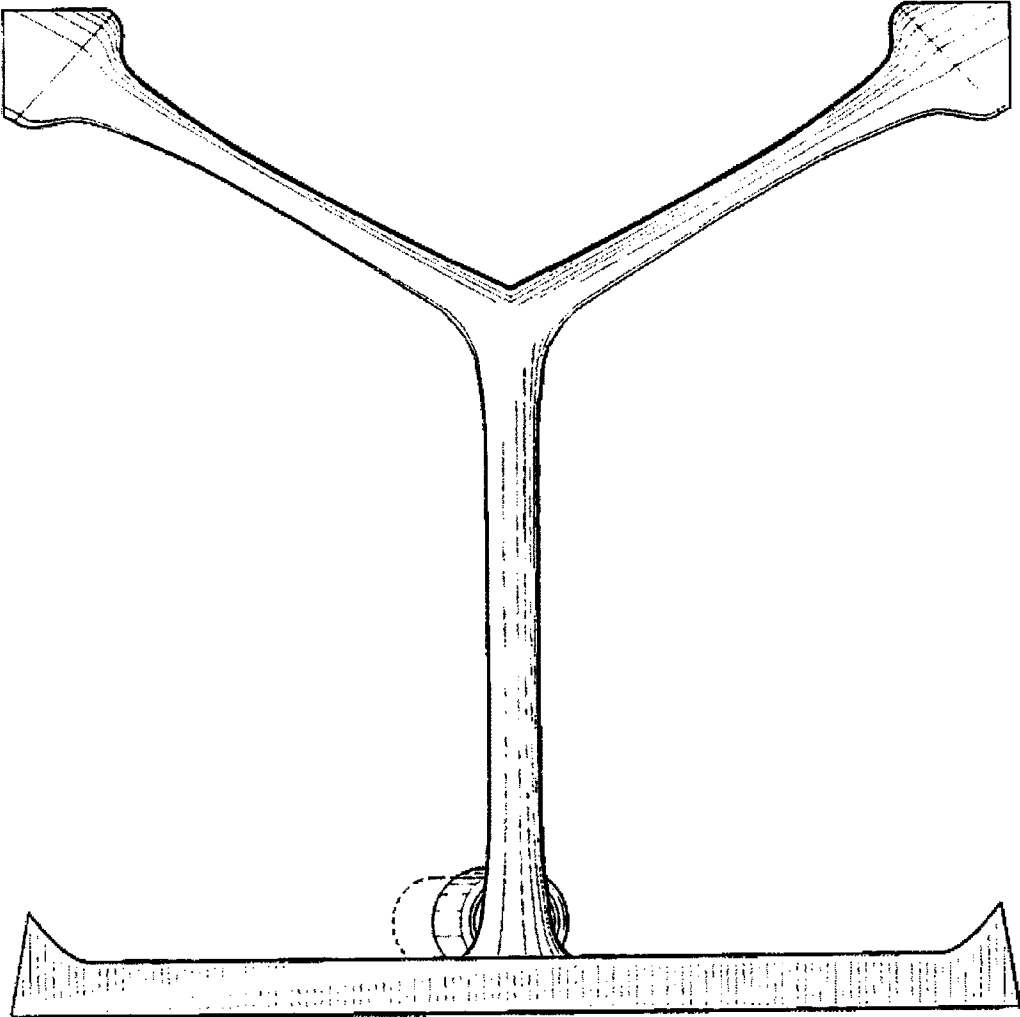


FIG. 7