



US00D595423S

(12) **United States Design Patent**
Johansson et al.

(10) **Patent No.:** **US D595,423 S**

(45) **Date of Patent:** **** Jun. 30, 2009**

(54) **MAGNETIC RACK**

(75) Inventors: **Bjorn A. Johansson**, Uppsala (SE); **Nils Norrman**, Uppsala (SE); **Henrik Ostlin**, Uppsala (SE); **Sven Wounder**, Uppsala (SE)

(73) Assignee: **GE Healthcare Bio-Sciences AB**, Uppsala (SE)

(**) Term: **14 Years**

(21) Appl. No.: **29/329,147**

(22) Filed: **Dec. 10, 2008**

(30) **Foreign Application Priority Data**
Jun. 30, 2008 (GB) 4008174

(51) **LOC (9) Cl.** **24-02**

(52) **U.S. Cl.** **D24/229**

(58) **Field of Classification Search** D24/108,
D24/127-130, 216, 224, 227-232; 422/63-64,
422/99-104, 250, 266, 297, 300, 476; 211/74,
211/71.01

See application file for complete search history.

(56) **References Cited**

U.S. PATENT DOCUMENTS

D323,400 S *	1/1992	Frenkel et al.	D24/230
D325,975 S *	5/1992	Grade et al.	D24/229
D382,346 S *	8/1997	Buhler et al.	D24/227

D413,391 S *	8/1999	Lapeus et al.	D24/227
D413,677 S *	9/1999	Dumitrescu et al.	D24/229
D421,130 S *	2/2000	Cohen et al.	D24/229
D428,497 S *	7/2000	Lapeus et al.	D24/227
D433,759 S *	11/2000	Mathis et al.	D24/227
D448,854 S *	10/2001	Kuiper et al.	D24/230
D461,554 S *	8/2002	Lafond et al.	D24/230
D484,989 S *	1/2004	Gebrian	D24/230

* cited by examiner

Primary Examiner—T. Chase Nelson

Assistant Examiner—Mark Cavanna

(74) *Attorney, Agent, or Firm*—Yonggang Ji

(57) **CLAIM**

The ornamental design for magnetic rack, as shown and described.

DESCRIPTION

FIG. 1 is a perspective view of the front of the magnetic rack showing our new design.

FIG. 2 is a side view of the magnetic rack of FIG. 1

FIG. 3 is a perspective view from the bottom of the magnetic rack of FIG. 1; and,

FIG. 4 is a perspective view from the rear of the magnetic rack of FIG. 1.

The broken lines shown in the figures are included for the purpose of illustrating portions of the magnetic rack that form no part of the claimed design.

1 Claim, 4 Drawing Sheets

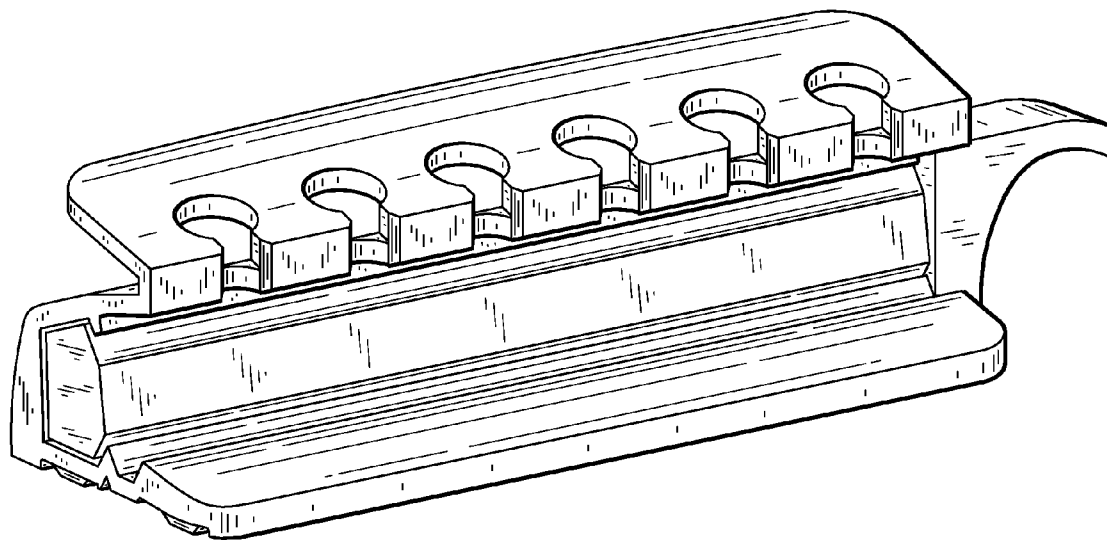


FIG. 1

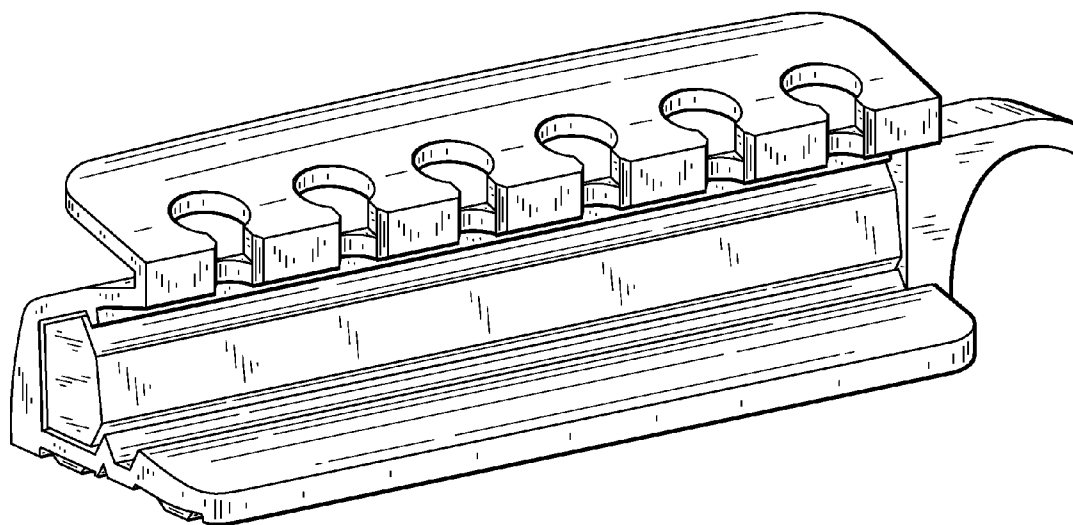


FIG. 2

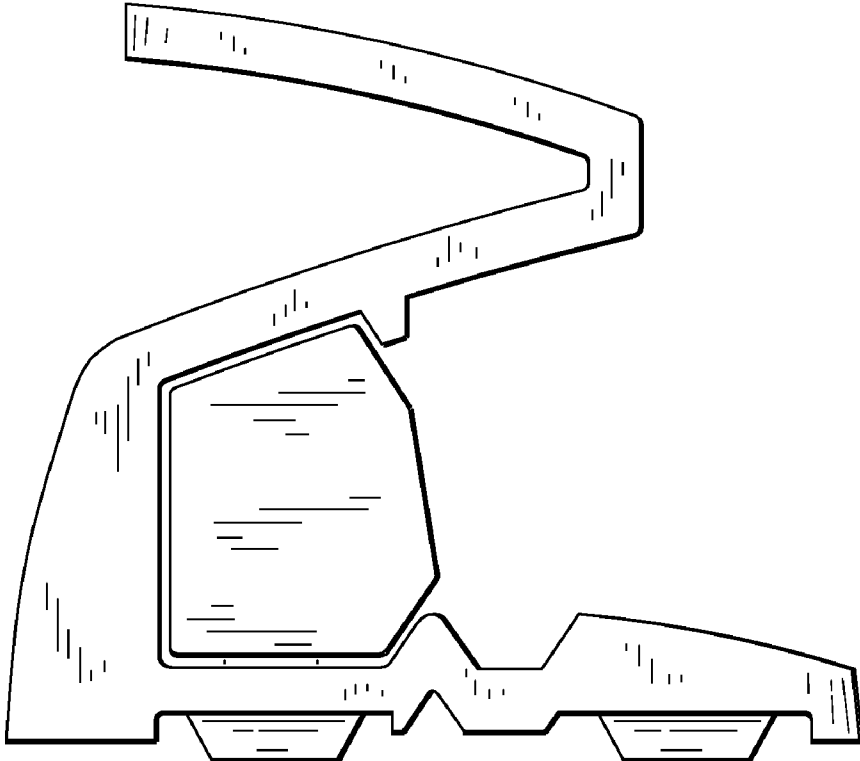


FIG. 3

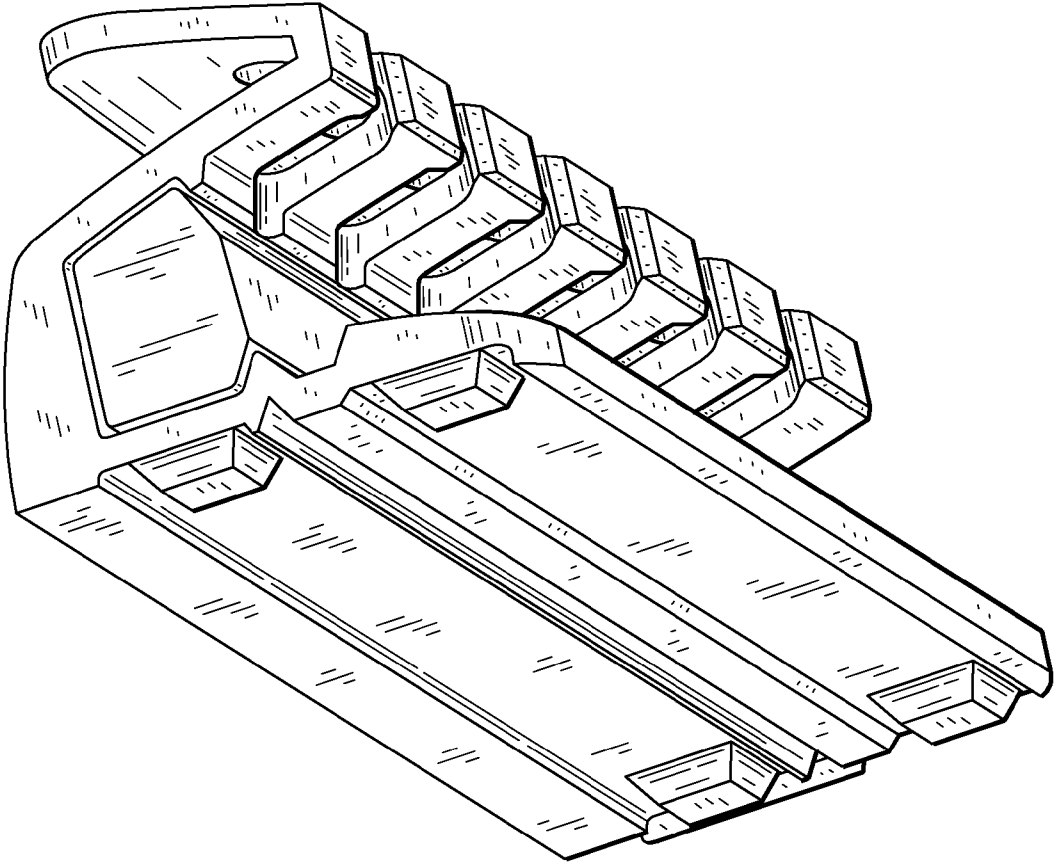


FIG. 4

