



US00D655035S

(12) **United States Design Patent**
Wu

(10) **Patent No.:** **US D655,035 S**
(45) **Date of Patent:** **** Feb. 28, 2012**

(54) **DOWNLIGHT**

(76) Inventor: **Liangju Wu**, Guangdong (CN)

(**) Term: **14 Years**

(21) Appl. No.: **29/365,232**

(22) Filed: **Jul. 6, 2010**

(30) **Foreign Application Priority Data**

Jan. 5, 2010 (CN) 2010 3 0019691

(51) **LOC (9) Cl.** **26-99**

(52) **U.S. Cl.** **D26/152**

(58) **Field of Classification Search** D26/118,
D26/138, 2, 24, 26, 28, 37, 74, 142, 152,
D26/63, 68, 140, 80, 72, 76, 78, 92, 113,
D26/119, 120, 121, 122, 123, 124, 128, 129,
D26/130, 145, 147, 153, 154, 155, 65, 71,
D26/85, 88, 89, 90, 84, 75, 107, 87; 362/394,
362/364, 365, 147, 418, 293, 362, 326, 290,
362/249.01-249.11, 148, 396, 287, 275,
362/276; 250/342, 347; D25/123, 138; 439/111,
439/121, 122, 119, 120; D13/134, 179, 180,
D13/133

See application file for complete search history.

(56) **References Cited**

U.S. PATENT DOCUMENTS

4,450,512 A * 5/1984 Kristofek 362/276
4,702,690 A * 10/1987 Sommers et al. 431/110
4,733,339 A * 3/1988 Kelsall 362/366

5,314,148 A * 5/1994 Jones 248/27.3
D448,880 S * 10/2001 Benghozi D26/74
6,375,338 B1 * 4/2002 Cummings et al. 362/276
6,511,209 B1 * 1/2003 Chiang 362/294
6,655,813 B1 * 12/2003 Ng 362/148
D558,378 S * 12/2007 Rashidi D26/74
D586,928 S * 2/2009 Liu et al. D26/2
D610,274 S * 2/2010 Cho D26/2
D617,916 S * 6/2010 Wada et al. D26/2
D625,876 S * 10/2010 Chen et al. D26/74
D628,723 S * 12/2010 Yamamoto et al. D26/2
D629,129 S * 12/2010 Lin et al. D26/2

* cited by examiner

Primary Examiner — Kevin Rudzinski

(74) *Attorney, Agent, or Firm* — Belles Katz LLC

(57) **CLAIM**

The ornamental design for a downlight, as shown and described.

DESCRIPTION

FIG. 1 is a top perspective view of a downlight according to the new design;

FIG. 2 is a right side view thereof;

FIG. 3 is a bottom view thereof;

FIG. 4 is a rear view thereof;

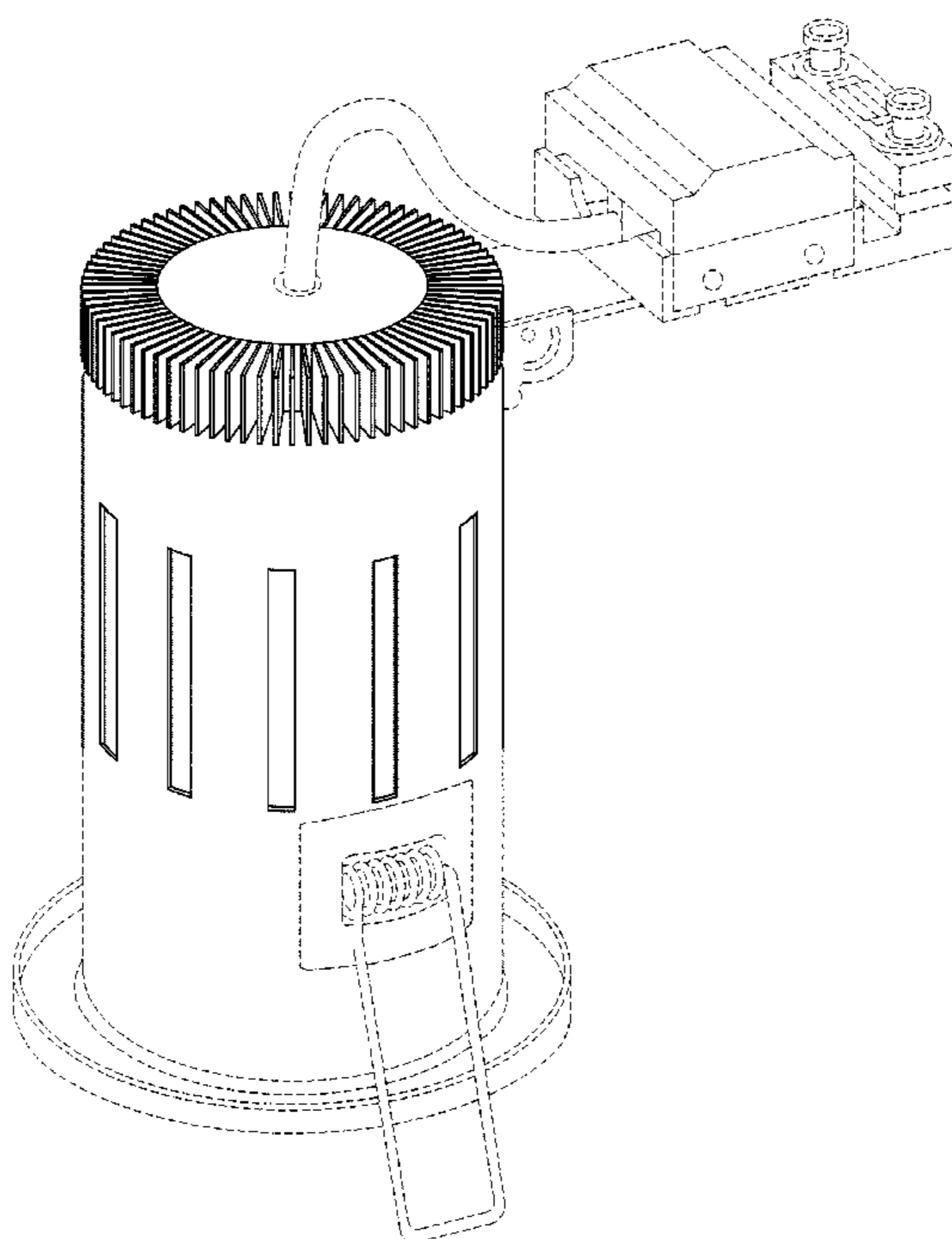
FIG. 5 is a left side view thereof;

FIG. 6 is a front view thereof; and,

FIG. 7 is a top view thereof.

The broken lines shown in the drawings illustrating environmental structures and unclaimed portions of the downlight form no part of the claimed design.

1 Claim, 7 Drawing Sheets



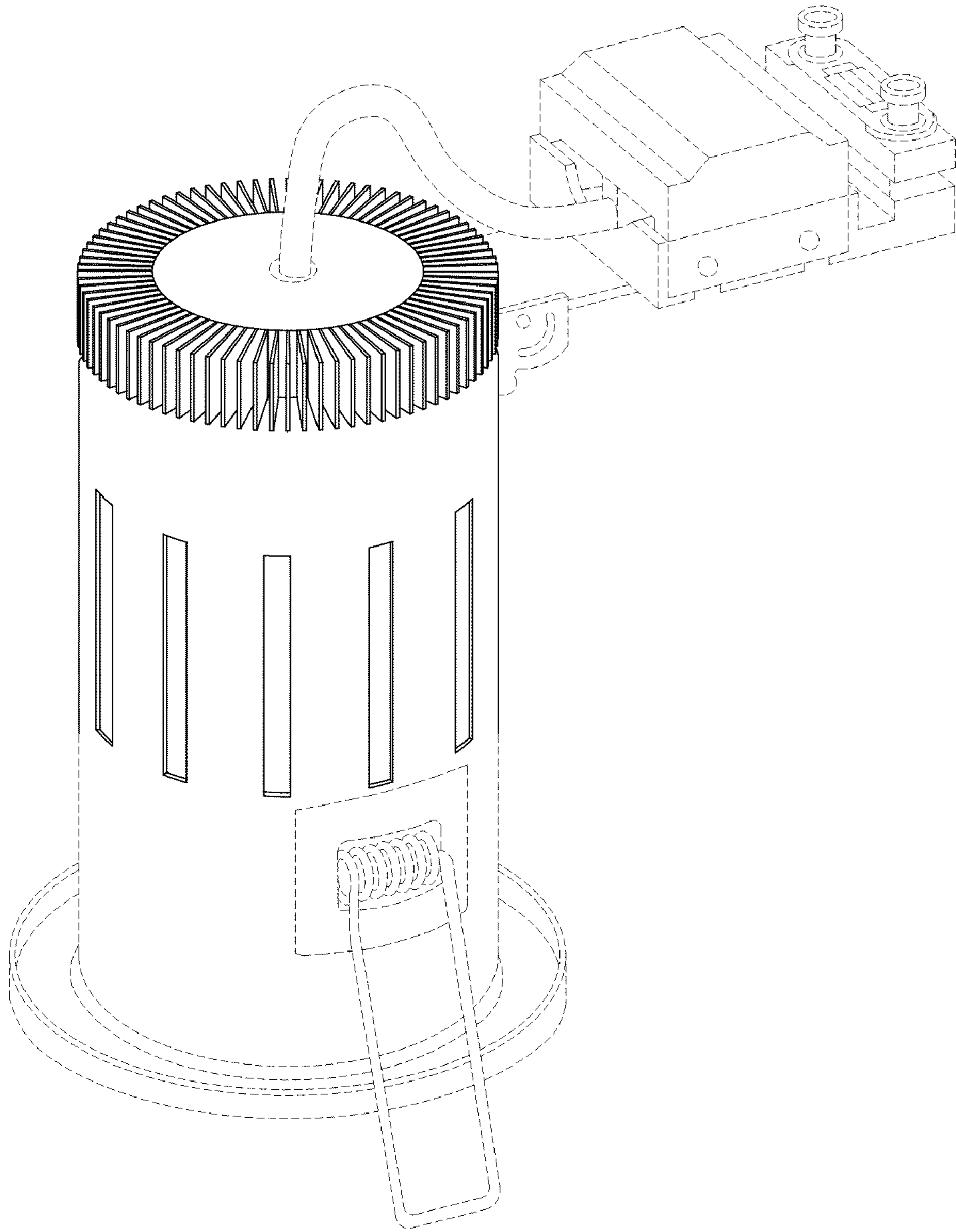


FIGURE 1

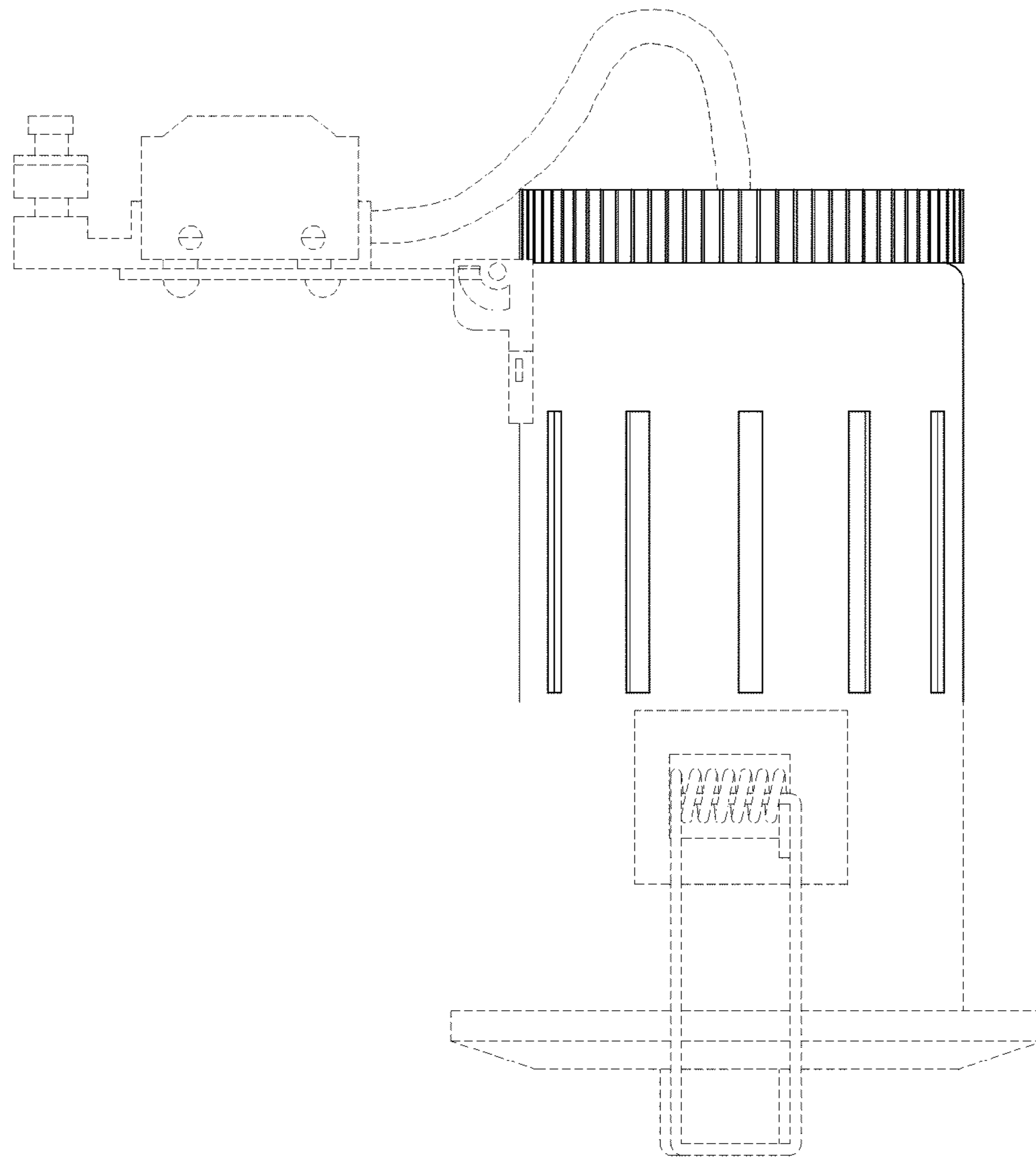


FIGURE 2

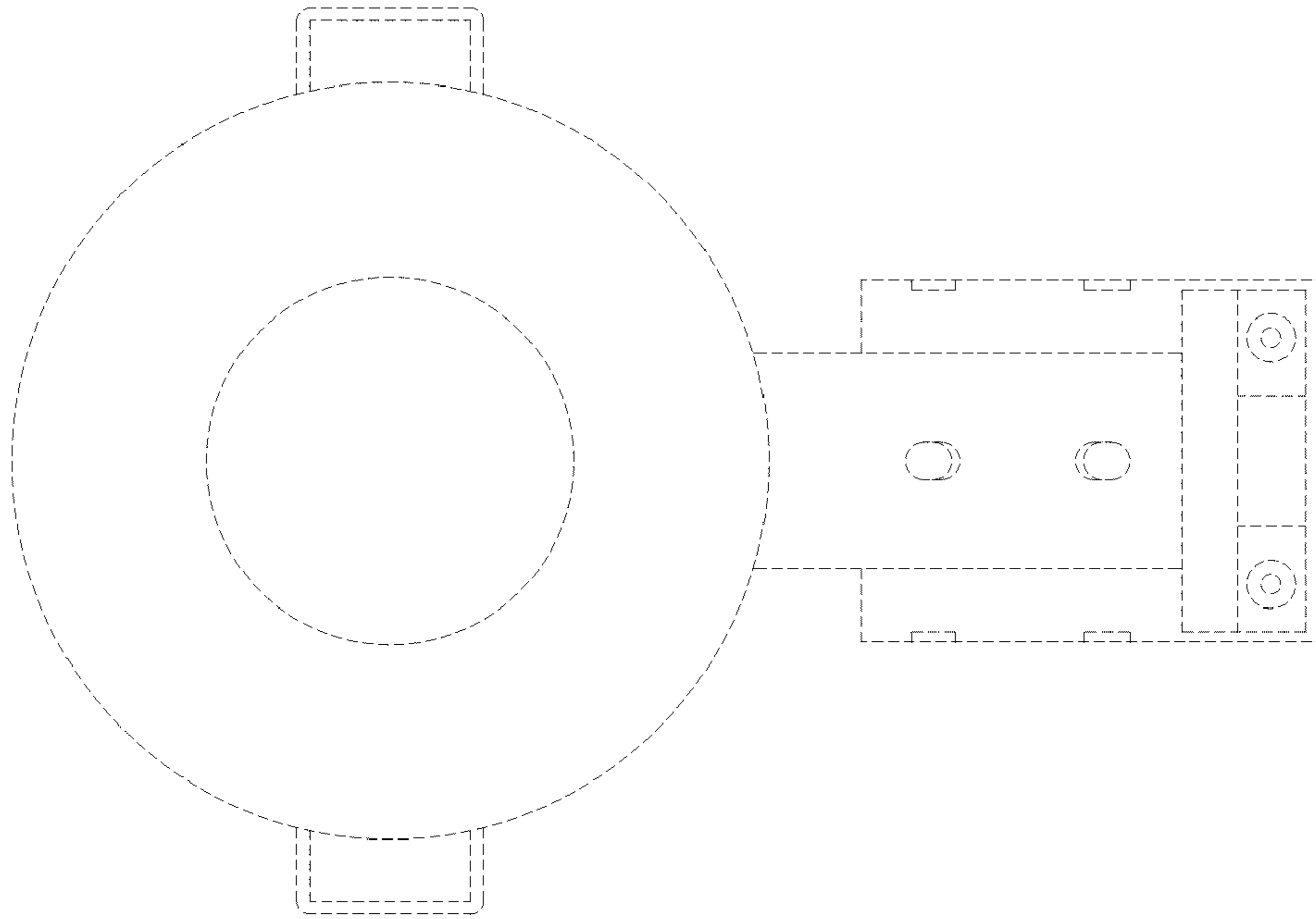


FIGURE 3

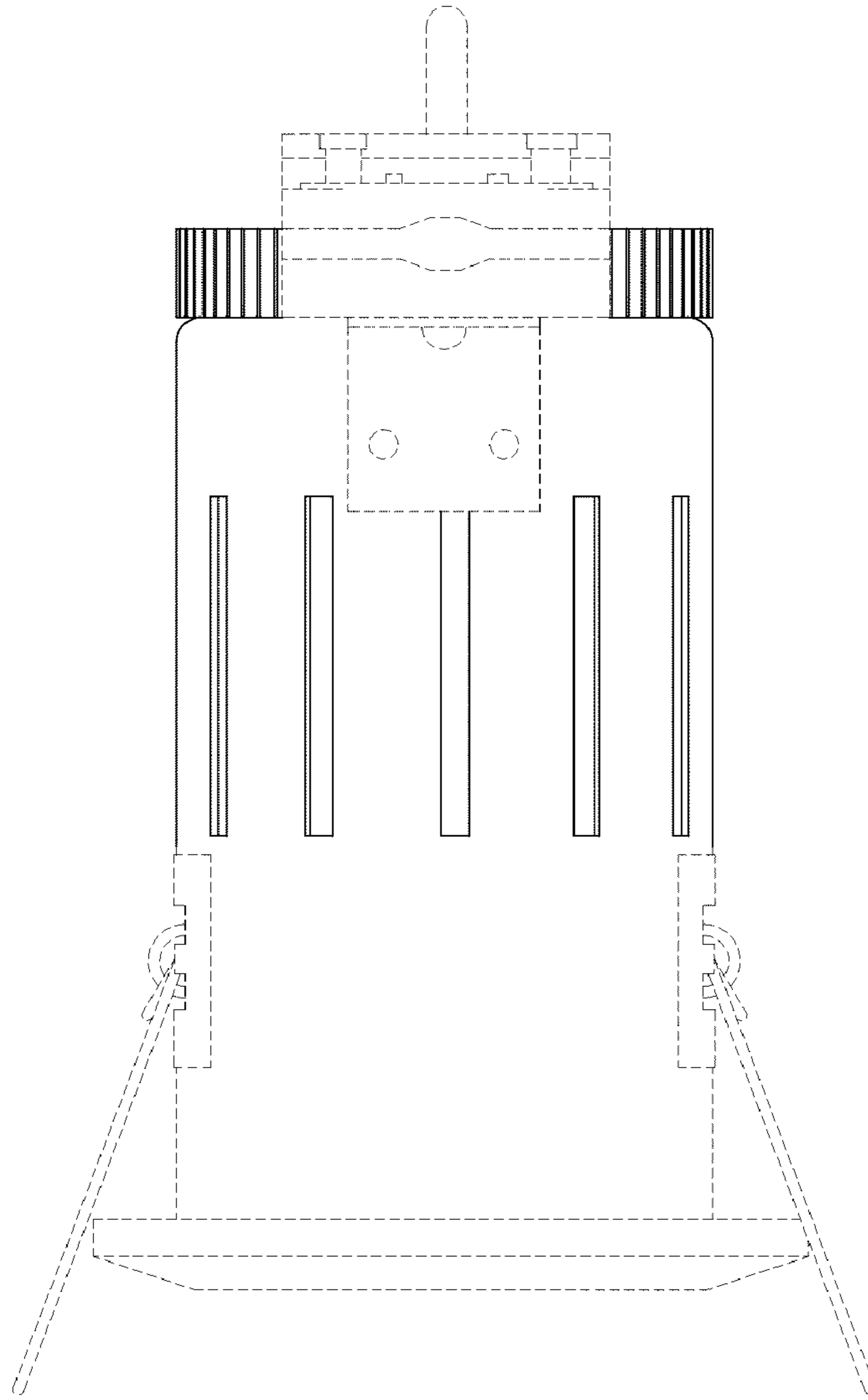


FIGURE 4

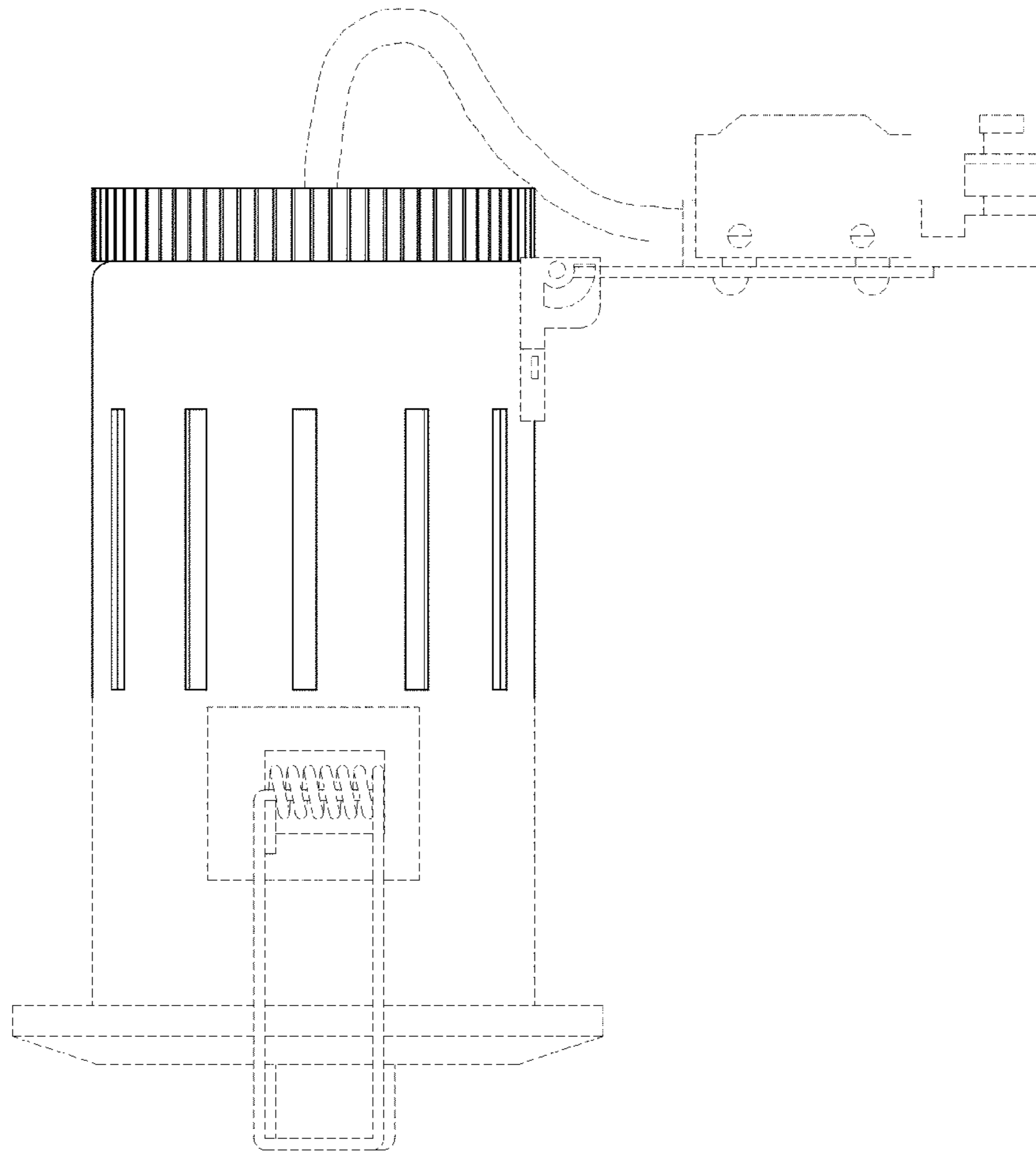


FIGURE 5

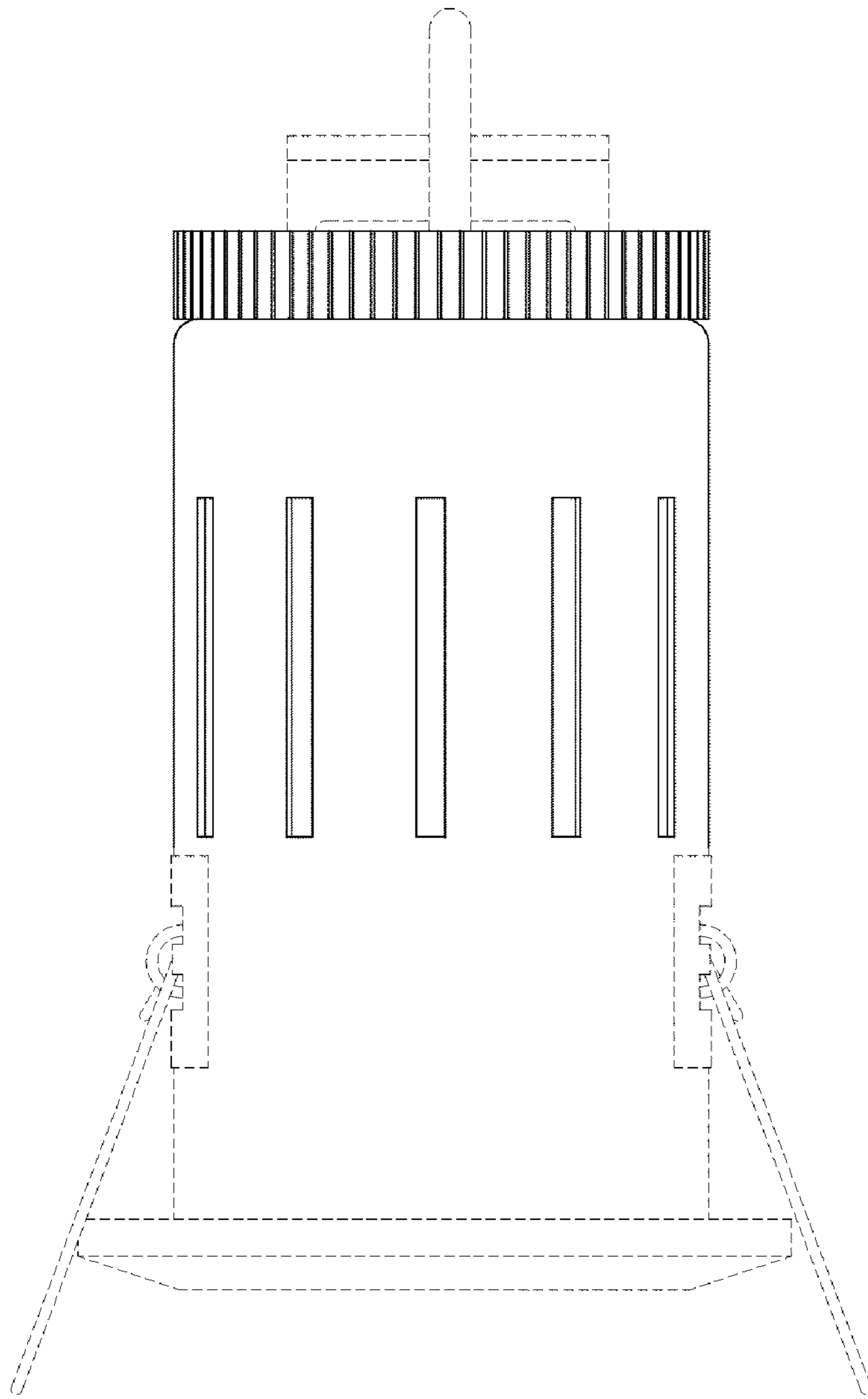


FIGURE 6

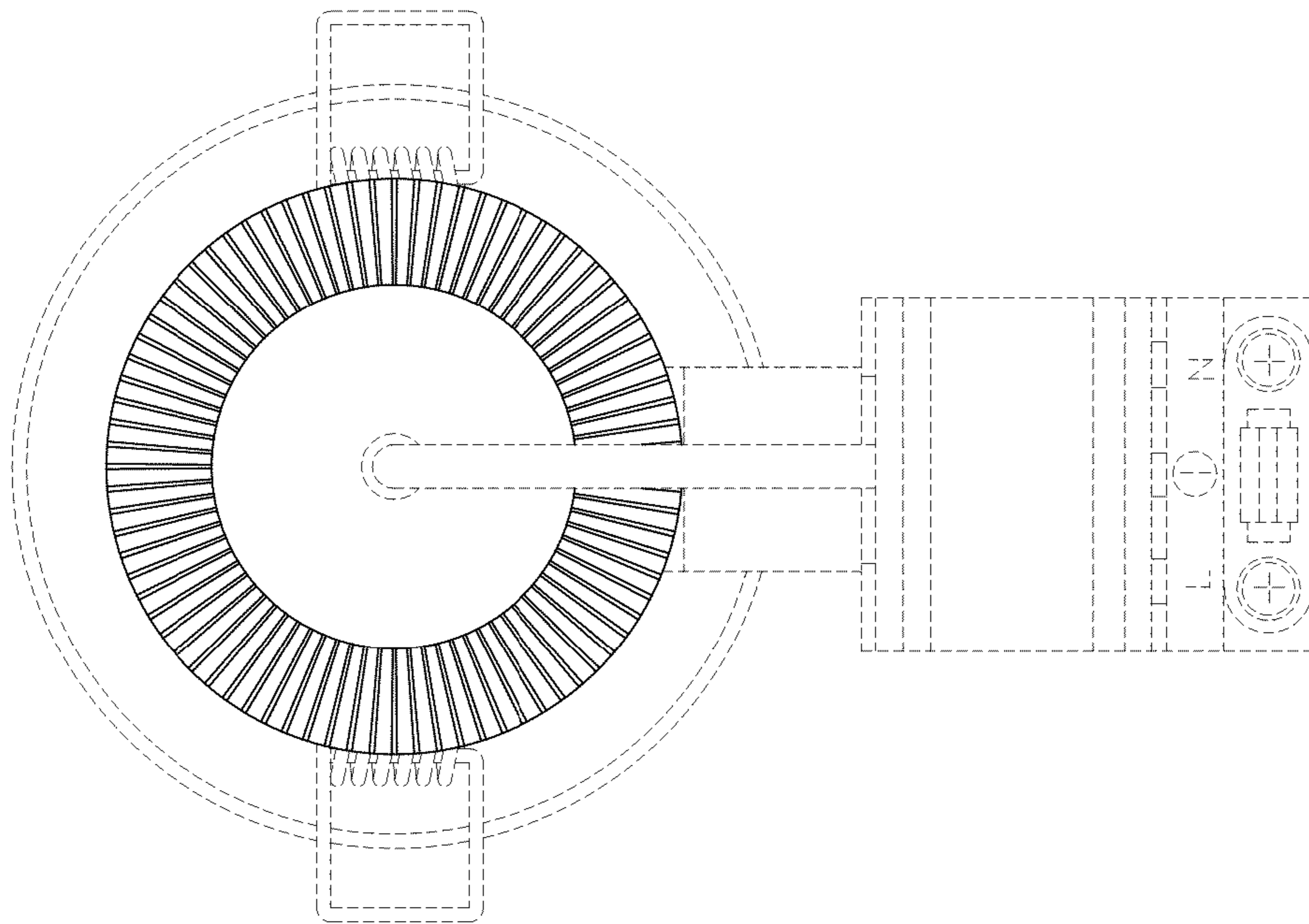


FIGURE 7