

(19) World Intellectual Property Organization
International Bureau



(43) International Publication Date
27 July 2000 (27.07.2000)

PCT

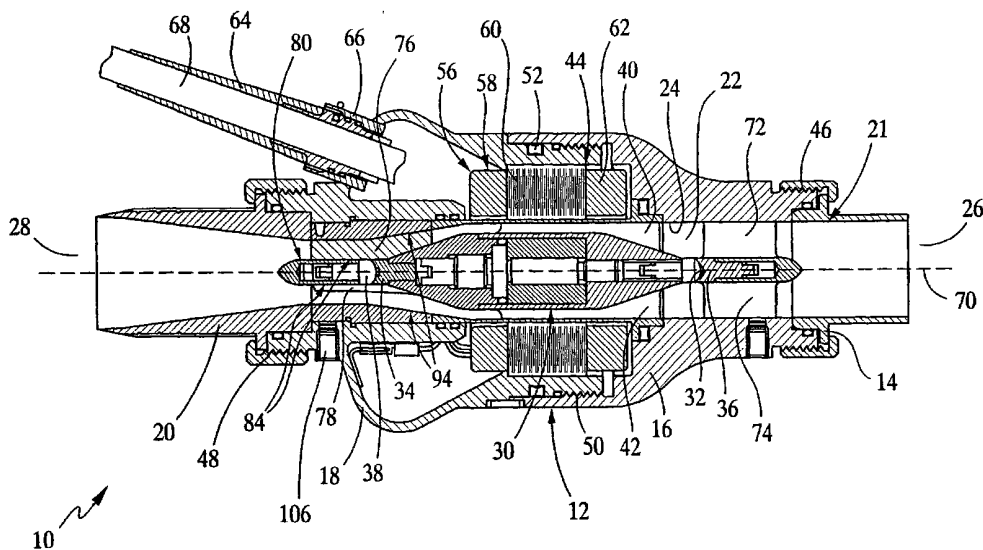
(10) International Publication Number
WO 00/43054 A3

- (51) International Patent Classification⁷: A61M 1/10, 95662 (US). BUTLER, Kenneth, C. [US/US]; 3606 Ava Way, Carmichael, CA 95608 (US).
- (21) International Application Number: PCT/US00/01660 (74) Agent: SHUMAKER, Steven, J.; Fish & Richardson P.C., P.A., Suite 3300, 60 South Sixth Street, Minneapolis, MN 55402 (US).
- (22) International Filing Date: 24 January 2000 (24.01.2000)
- (25) Filing Language: English (81) Designated States (national): AE, AL, AM, AT, AU, AZ, BA, BB, BG, BR, BY, CA, CH, CN, CU, CZ, DE, DK, EE, ES, FI, GB, GD, GE, GH, GM, HR, HU, ID, IL, IN, IS, JP, KE, KG, KP, KR, KZ, LC, LK, LR, LS, LT, LU, LV, MD, MG, MK, MN, MW, MX, NO, NZ, PL, PT, RO, RU, SD, SE, SG, SI, SK, SL, TJ, TM, TR, TT, UA, UG, US, UZ, VN, YU, ZA, ZW.
- (26) Publication Language: English
- (30) Priority Data: 09/237,724 26 January 1999 (26.01.1999) US (84) Designated States (regional): ARIPO patent (GH, GM, KE, LS, MW, SD, SL, SZ, TZ, UG, ZW), Eurasian patent (AM, AZ, BY, KG, KZ, MD, RU, TJ, TM), European patent (AT, BE, CH, CY, DE, DK, ES, FI, FR, GB, GR, IE, IT, LU, MC, NL, PT, SE), OAPI patent (BF, BJ, CF, CG, CI, CM, GA, GN, GW, ML, MR, NE, SN, TD, TG).
- (71) Applicant (for all designated States except US): NIMBUS, INC. [US/US]; 2945 Kilgore Boulevard, Rancho Cordova, CA 95670 (US).
- (72) Inventors; and
- (75) Inventors/Applicants (for US only): LE BLANC, Pieter, W., C., J. [NL/US]; 7853 Hampton Lane, Citrus Heights, CA 95610 (US). PETERSEN, Tracy, V. [US/US]; 5983 Rose Court, Granite Bay, CA 95746 (US). MAHER, Timothy, R. [US/US]; 8945 Genoa Avenue, Orangevale, CA

Published:
— With international search report.

[Continued on next page]

(54) Title: BLOOD PUMP WITH PROFILED OUTFLOW REGION



(57) Abstract: The invention provides an axial flow blood pump (10) with slanting outflow components. Specifically, the invention provides a blood pump (10) having an angling outer stator blade edge structure (76, 78, 82, 92) in combination with a blood flow conduit (21, 22) having a constricting inner diameter. After constricting, the blood flow conduit (21, 22) can expand such that the inner diameter of the conduit increases. In addition, the blood pump (10) can have an angling inner stator blade edge structure and a tapering stator blade hub or tapering rotor element (30).

WO 00/43054 A3



(88) Date of publication of the international search report:
14 December 2000

For two-letter codes and other abbreviations, refer to the "Guidance Notes on Codes and Abbreviations" appearing at the beginning of each regular issue of the PCT Gazette.

INTERNATIONAL SEARCH REPORT

International Application No
PCT/US 00/01660

A. CLASSIFICATION OF SUBJECT MATTER
IPC 7 A61M1/10 A61M1/12 F04B17/03

According to International Patent Classification (IPC) or to both national classification and IPC

B. FIELDS SEARCHED

Minimum documentation searched (classification system followed by classification symbols)
IPC 7 A61M F04B

Documentation searched other than minimum documentation to the extent that such documents are included in the fields searched

Electronic data base consulted during the international search (name of data base and, where practical, search terms used)

C. DOCUMENTS CONSIDERED TO BE RELEVANT

Category *	Citation of document, with indication, where appropriate, of the relevant passages	Relevant to claim No.
A	US 5 527 159 A (SVEJKOVSKY PAUL A ET AL) 18 June 1996 (1996-06-18) abstract column 3, line 60 -column 4, line 24 column 5, line 65 -column 8, line 31 figures 1,3,10	1-58
A	US 5 112 200 A (ISAACSON MILTON S ET AL) 12 May 1992 (1992-05-12) column 3, line 4 -column 4, line 3 figure 1	1-58
A	US 5 588 812 A (LE BLANC PIETER W J C ET AL) 31 December 1996 (1996-12-31) abstract column 3, line 3-44 figures	1-58
	-/--	

Further documents are listed in the continuation of box C.

Patent family members are listed in annex.

* Special categories of cited documents :

- *A* document defining the general state of the art which is not considered to be of particular relevance
- *E* earlier document but published on or after the international filing date
- *L* document which may throw doubts on priority claim(s) or which is cited to establish the publication date of another citation or other special reason (as specified)
- *O* document referring to an oral disclosure, use, exhibition or other means
- *P* document published prior to the international filing date but later than the priority date claimed

- *T* later document published after the international filing date or priority date and not in conflict with the application but cited to understand the principle or theory underlying the invention
- *X* document of particular relevance; the claimed invention cannot be considered novel or cannot be considered to involve an inventive step when the document is taken alone
- *Y* document of particular relevance; the claimed invention cannot be considered to involve an inventive step when the document is combined with one or more other such documents, such combination being obvious to a person skilled in the art.
- *&* document member of the same patent family

Date of the actual completion of the international search

4 July 2000

Date of mailing of the international search report

27/07/2000

Name and mailing address of the ISA

European Patent Office, P.B. 5818 Patentlaan 2
NL - 2280 HV Rijswijk
Tel. (+31-70) 340-2040, Tx. 31 651 epo nl,
Fax: (+31-70) 340-3016

Authorized officer

Lager, J

INTERNATIONAL SEARCH REPORT

International Application No

PCT/US 00/01660

C.(Continuation) DOCUMENTS CONSIDERED TO BE RELEVANT

Category *	Citation of document, with indication, where appropriate, of the relevant passages	Relevant to claim No.
A	US 5 707 218 A (LE BLANC PIETER W J C ET AL) 13 January 1998 (1998-01-13) column 3, line 12-48 figures -----	1-58

INTERNATIONAL SEARCH REPORT

Information on patent family members

International Application No

PCT/US 00/01660

Patent document cited in search report	Publication date	Patent family member(s)	Publication date
US 5527159 A	18-06-1996	US 5678306 A US 5692882 A US 5957672 A US 5947892 A	21-10-1997 02-12-1997 28-09-1999 07-09-1999
US 5112200 A	12-05-1992	AU 8056091 A WO 9119103 A US 5211546 A	31-12-1991 12-12-1991 18-05-1993
US 5588812 A	31-12-1996	US 5707218 A US 5951263 A	13-01-1998 14-09-1999
US 5707218 A	13-01-1998	US 5588812 A EP 0925451 A WO 9811347 A US 5951263 A	31-12-1996 30-06-1999 19-03-1998 14-09-1999