



US00D397992S

United States Patent [19]

[11] **Patent Number:** **Des. 397,992**

Shimomura et al.

[45] **Date of Patent:** ****Sep. 8, 1998**

[54] **ELECTRIC MOTOR**

D. 205,662	9/1966	Bluemink	D13/112
D. 245,498	8/1977	Andreas	D13/112
D. 298,228	10/1988	Hoshino	D13/112
D. 304,169	10/1989	Hoshino et al.	D13/112

[75] Inventors: **Kyoichi Shimomura**, Setagun; **Junichi Takasaki**, Kiryu, both of Japan

[73] Assignee: **Mitsuba Corporation**, Kiryu, Japan

Primary Examiner—Brian N. Vinson
Attorney, Agent, or Firm—Oliff & Berridge, PLC

[**] Term: **14 Years**

[57] **CLAIM**

[21] Appl. No.: **61,318**

The ornamental design for an electric motor, as shown and described.

[22] Filed: **Oct. 21, 1996**

DESCRIPTION

[30] **Foreign Application Priority Data**

Apr. 26, 1996 [JP] Japan 8-12561

FIG. 1 is a rear perspective view of an electric motor according to our invention;
FIG. 2 is a front view thereof;
FIG. 3 is a rear view thereof;
FIG. 4 is a side view thereof;
FIG. 5 is an opposite view thereof;
FIG. 6 is a top view thereof; and,
FIG. 7 is a bottom view thereof.

[51] **LOC (6) Cl.** **13-02**

[52] **U.S. Cl.** **D13/112**

[58] **Field of Search** D13/101, 112,
D13/113, 114; 310/40 R

[56] **References Cited**

U.S. PATENT DOCUMENTS

D. 168,397 12/1952 Dochterman D13/112

1 Claim, 4 Drawing Sheets

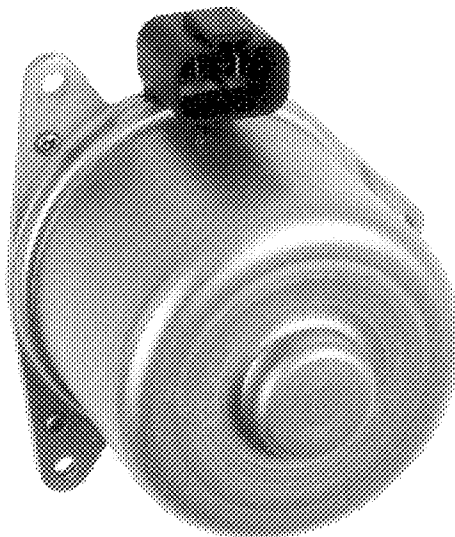


FIG. 1

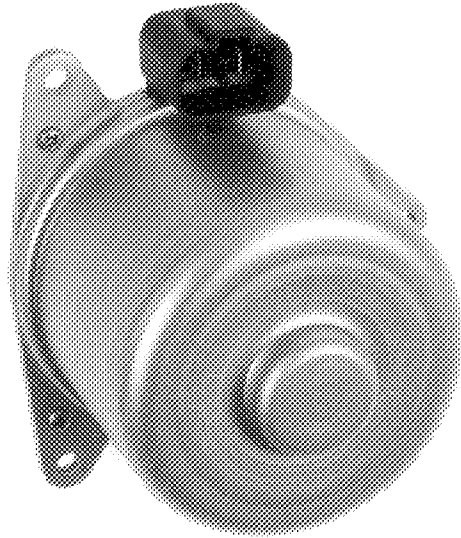


FIG. 2

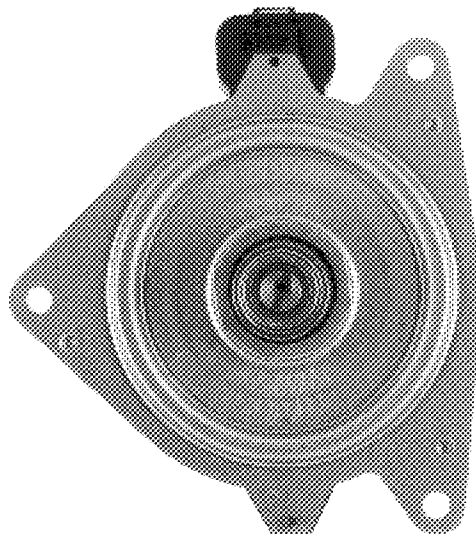


FIG. 3

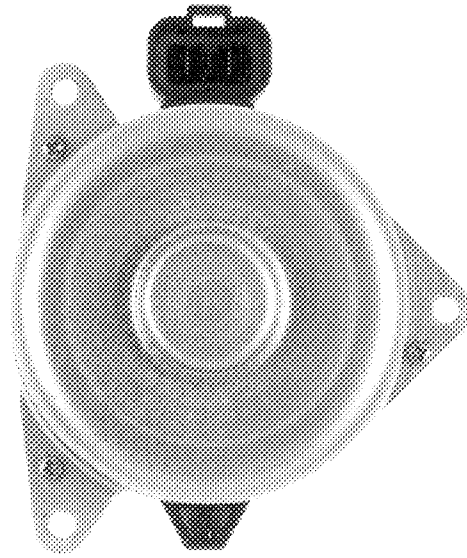


FIG. 4

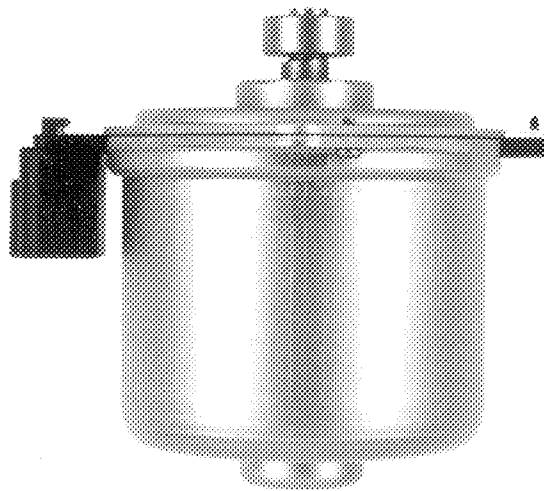


FIG. 5

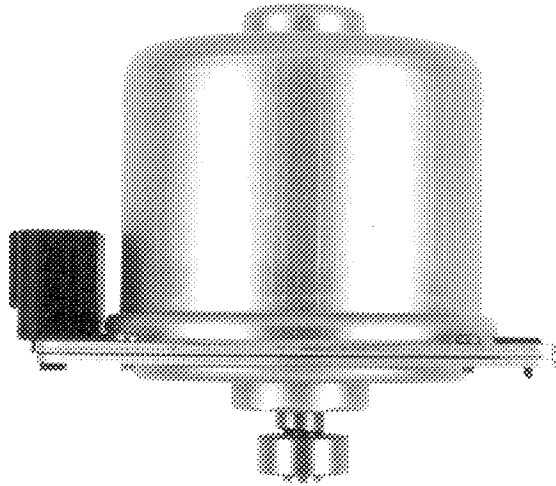


FIG. 6

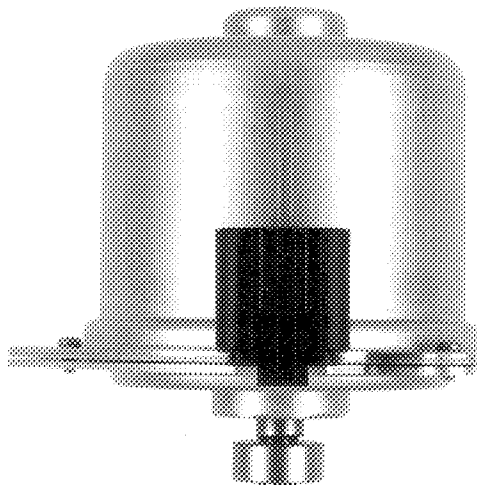


FIG. 7

