

(19) World Intellectual Property Organization
International Bureau



(43) International Publication Date
6 July 2006 (06.07.2006)

PCT

(10) International Publication Number
WO 2006/070990 A3

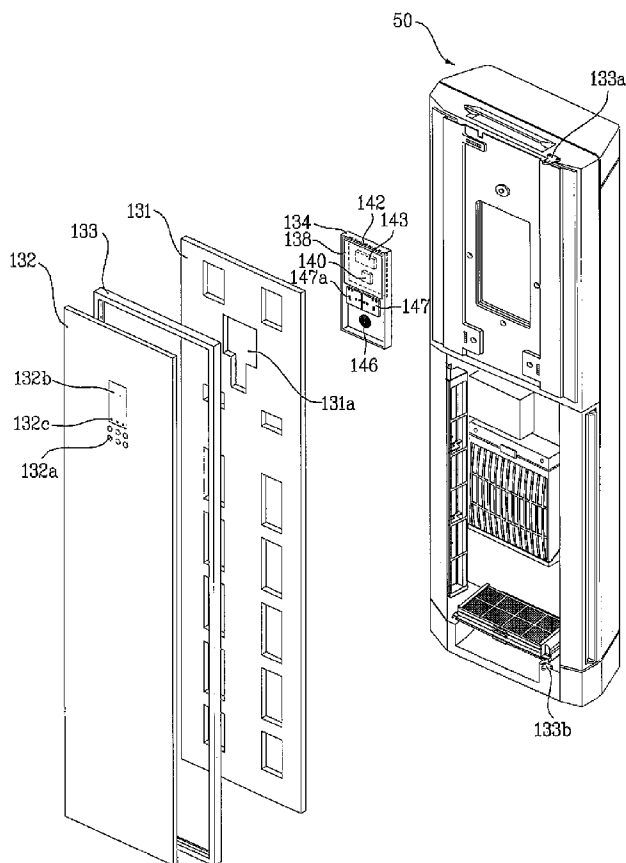
- (51) International Patent Classification:
F24F 13/20 (2006.01) F24F 11/00 (2006.01)
F24F 1/00 (2006.01)
- (21) International Application Number:
PCT/KR2005/002472
- (22) International Filing Date: 29 July 2005 (29.07.2005)
- (25) Filing Language: English
- (26) Publication Language: English
- (30) Priority Data:
10-2004-0116243
30 December 2004 (30.12.2004) KR
- (71) Applicant (for all designated States except US): LG ELECTRONICS INC. [KR/KR]; 20, Yoido-dong, Youngdungpo-gu, Seoul 150-721 (KR).
- (72) Inventor; and
- (75) Inventor/Applicant (for US only): AHN, Min [KR/KR];

102-1812, Sungwon 1-cha Apt., Sangnam-dong, Changwon-si, Changwon-si, Gyeongsangnam-do 641-778 (KR).

- (74) Agents: BAHNG, Hae Cheol et al.; KBK & ASSOCIATES, 15th Floor Yo Sam Building, 648-23, Yeoksam-dong, Kangnam-gu, Seoul 135-080 (KR).
- (81) Designated States (unless otherwise indicated, for every kind of national protection available): AE, AG, AL, AM, AT, AU, AZ, BA, BB, BG, BR, BW, BY, BZ, CA, CH, CN, CO, CR, CU, CZ, DE, DK, DM, DZ, EC, EE, EG, ES, FI, GB, GD, GE, GH, GM, HR, HU, ID, IL, IN, IS, JP, KE, KG, KM, KP, KZ, LC, LK, LR, LS, LT, LU, LV, MA, MD, MG, MK, MN, MW, MX, MZ, NA, NG, NI, NO, NZ, OM, PG, PH, PL, PT, RO, RU, SC, SD, SE, SG, SK, SL, SM, SY, TJ, TM, TN, TR, TT, TZ, UA, UG, US, UZ, VC, VN, YU, ZA, ZM, ZW.
- (84) Designated States (unless otherwise indicated, for every kind of regional protection available): ARIPO (BW, GH, GM, KE, LS, MW, MZ, NA, SD, SL, SZ, TZ, UG, ZM, ZW), Eurasian (AM, AZ, BY, KG, KZ, MD, RU, TJ, TM), European (AT, BE, BG, CH, CY, CZ, DE, DK, EE, ES, FI,

[Continued on next page]

(54) Title: DISPLAY UNIT OF AIR CONDITIONER



(57) Abstract: Disclosed is a display unit (134) of an air conditioner for displaying various kinds of information desired by users. The display unit of an air conditioner includes an interface (140) for receiving information, desired by a user, from the outside of the air conditioner; and an information display panel for displaying the information transmitted through the interface, in a manner required by the user. The display unit of the air conditioner is simply used, and displays various kinds of information in the manner required by the user.

WO 2006/070990 A3



FR, GB, GR, HU, IE, IS, IT, LT, LU, LV, MC, NL, PL, PT, RO, SE, SI, SK, TR), OAPI (BF, BJ, CF, CG, CI, CM, GA, GN, GQ, GW, ML, MR, NE, SN, TD, TG).

For two-letter codes and other abbreviations, refer to the "Guidance Notes on Codes and Abbreviations" appearing at the beginning of each regular issue of the PCT Gazette.

Published:

- *with international search report*
- *before the expiration of the time limit for amending the claims and to be republished in the event of receipt of amendments*

(88) Date of publication of the international search report:

7 June 2007

INTERNATIONAL SEARCH REPORT

International application No.
PCT/KR 2005/002472

A. CLASSIFICATION OF SUBJECT MATTER IPC ⁸ : F24F 13/20 (2006.01); F24F 1/00 (2006.01); F24F 11/00 (2006.01) According to International Patent Classification (IPC) or to both national classification and IPC		
B. FIELDS SEARCHED		
Minimum documentation searched (classification system followed by classification symbols) IPC ⁸ : F 24 F		
Documentation searched other than minimum documentation to the extent that such documents are included in the fields searched		
Electronic data base consulted during the international search (name of data base and, where practicable, search terms used) EpoDoc; WPI		
C. DOCUMENTS CONSIDERED TO BE RELEVANT		
Category*	Citation of document, with indication, where appropriate, of the relevant passages	Relevant to claim No.
X	US 2004/0049320 A1; (TAKAI); 11 March 2004 (11.03.2004) <i>figures, claims</i>	1 - 20
	--	
X	WO 2001/067005 A1; (YORK); 13 September 2001 (13.09.2001) <i>page 10, last paragraph</i>	1 - 20
	--	
X	US 2003/0150926 A1; (ROSEN); 14 August 2003 (14.08.2003) <i>paragraph 018; figures</i>	1 - 20
	--	
<input checked="" type="checkbox"/> Further documents are listed in the continuation of Box C. <input checked="" type="checkbox"/> See patent family annex.		
* Special categories of cited documents: "A" document defining the general state of the art which is not considered to be of particular relevance "E" earlier application or patent but published on or after the international filing date "L" document which may throw doubts on priority claim(s) or which is cited to establish the publication date of another citation or other special reason (as specified) "O" document referring to an oral disclosure, use, exhibition or other means "P" document published prior to the international filing date but later than the priority date claimed "T" later document published after the international filing date or priority date and not in conflict with the application but cited to understand the principle or theory underlying the invention "X" document of particular relevance; the claimed invention cannot be considered novel or cannot be considered to involve an inventive step when the document is taken alone "Y" document of particular relevance; the claimed invention cannot be considered to involve an inventive step when the document is combined with one or more other such documents, such combination being obvious to a person skilled in the art "&" document member of the same patent family		
Date of the actual completion of the international search 19 February 2007 (19.02.2007)		Date of mailing of the international search report 4 April 2007 (04.04.2007)
Name and mailing address of the ISA/ AT Austrian Patent Office Dresdner Straße 87, A-1200 Vienna Facsimile No. +43 / 1 / 534 24 / 535		Authorized officer LOSENICKY G. Telephone No. +43 / 1 / 534 24 / 372

INTERNATIONAL SEARCH REPORT

International application No.
PCT/KR 2005/002472

C (Continuation). DOCUMENTS CONSIDERED TO BE RELEVANT		
Category*	Citation of document, with indication, where appropriate, of the relevant passages	Relevant to claim No.
X	US 4 386 649 A; (HINES); 7 June 1983 (07.06.1983) <i>claims</i> -----	1 - 20

INTERNATIONAL SEARCH REPORT

Information on patent family members

International application No.

PCT/KR 2005/002472

Patent document cited in search report	Publication date	Patent family member(s)	Publication date
US A 20030150926		none	
US A 20040049320		none	
US A 4386649	1983-06-07	none	
WO A 2001067005		none	