

(19) World Intellectual Property
Organization
International Bureau



(43) International Publication Date
25 March 2004 (25.03.2004)

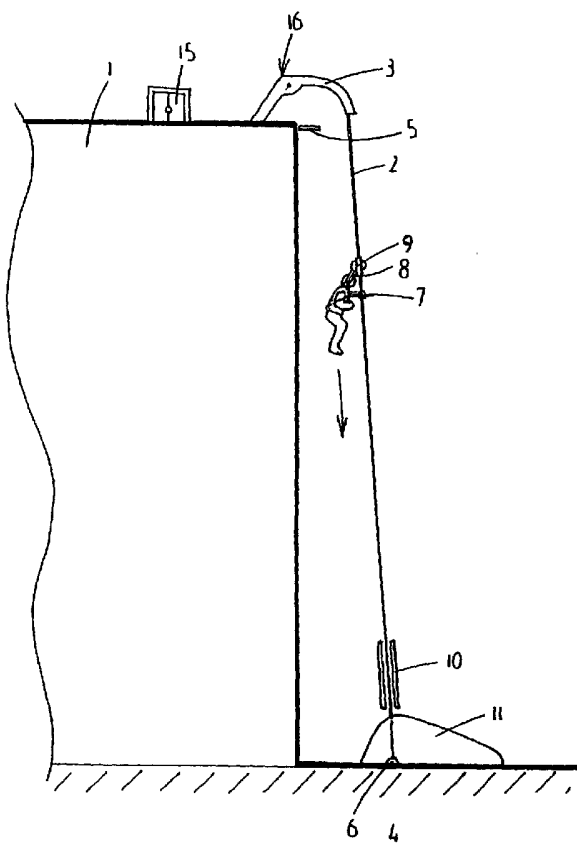
PCT

(10) International Publication Number
WO 2004/024238 A1

- (51) International Patent Classification⁷: **A62B 1/02** Paul [NL/NL]; 442, Prof Cobbenhagenlaan, NL-5037 DJ Tilburg (NL).
- (21) International Application Number: PCT/EP2003/010260 (74) Agent: **BROOKHUIS, H.J.A.**; Exter Polak & Charlouis B.V., P.O. Box 3241, 2280 GE Rijswijk (NL).
- (22) International Filing Date: 9 September 2003 (09.09.2003) (81) Designated States (*national*): AE, AG, AL, AM, AT, AU, AZ, BA, BB, BG, BR, BY, BZ, CA, CH, CN, CO, CR, CU, CZ, DE, DK, DM, DZ, EC, EE, EG, ES, FI, GB, GD, GE, GH, GM, HR, HU, ID, IL, IN, IS, JP, KE, KG, KP, KR, KZ, LC, LK, LR, LS, LT, LU, LV, MA, MD, MG, MK, MN, MW, MX, MZ, NI, NO, NZ, OM, PG, PH, PL, PT, RO, RU, SC, SD, SE, SG, SK, SL, SY, TJ, TM, TN, TR, TT, TZ, UA, UG, US, UZ, VC, VN, YU, ZA, ZM, ZW.
- (25) Filing Language: English (84) Designated States (*regional*): ARIPO patent (GH, GM, KE, LS, MW, MZ, SD, SL, SZ, TZ, UG, ZM, ZW), Eurasian patent (AM, AZ, BY, KG, KZ, MD, RU, TJ, TM), European patent (AT, BE, BG, CH, CY, CZ, DE, DK, EE, ES, FI, FR, GB, GR, HU, IE, IT, LU, MC, NL, PT, RO, SE, SI, SK, TR, UA, UG, US, UZ, VC, VN, YU, ZA, ZM, ZW).
- (26) Publication Language: English
- (30) Priority Data: 02078826.1 13 September 2002 (13.09.2002) EP
- (71) Applicant (*for all designated States except US*): **BARON COATES B.V.** [NL/NL]; 442, Prof. Cobbenhagenlaan, NL-5037 DJ Tilburg (NL).
- (72) Inventor; and
- (75) Inventor/Applicant (*for US only*): **MONKS, Nicolas**,

[Continued on next page]

(54) Title: RESCUE ARRANGEMENT



(57) Abstract: A rescue arrangement for effecting a rapid descent from a higher level to a lower level. The rescue arrangement comprises guiding means which substantially extend between the higher level and the lower level. Further it comprises carrying means which are connectable with the guiding means for carrying an object, in particular a person, from the higher level to the lower level via the guiding means. It also comprises first braking means located at the guiding means near the lower level for slowing down and/or stopping the carrying means near the lower level. The guiding means comprise at least two substantially parallel tracks, wherein the carrying means are adapted to be connected to at least two of the tracks.

WO 2004/024238 A1



SE, SI, SK, TR), OAPI patent (BF, BJ, CF, CG, CI, CM, GA, GN, GQ, GW, ML, MR, NE, SN, TD, TG).

For two-letter codes and other abbreviations, refer to the "Guidance Notes on Codes and Abbreviations" appearing at the beginning of each regular issue of the PCT Gazette.

Published:

— *with international search report*

Rescue arrangement

The present invention relates to a rescue arrangement for effecting a rapid descent from a higher level, more specifically from an elevated structure, to a lower level, the rescue arrangement comprising:

- 5 - guiding means which substantially extend between the higher level and the lower level,
- carrying means which are connectable with the guiding means for carrying an object, in particular a person, from the higher level to the lower level via the guiding means,
- 10 - first braking means located at the guiding means near the lower level for slowing down and/or stopping the carrying means near the lower level.

Such a rescue arrangement is known from US 4,593,787 which discloses a system where a guiding means in the form of a secured
15 wired rope is hanging from an elevated structure. The lower end of the wired rope branches to at least two wired ropes. The branches are secured to reels which are widely separated from each other so that the branches in a tightened state form a pyramid. The reels are provided with braking means to release the branches from the reels in
20 a controlled manner. A person standing on the elevated structure can connect a carrying means like a harness to the wired rope by means of a clasp and jump from the elevated structure. When the clasp reaches the branches it will tension the branches and the branches will be released by the reels in a controlled manner and the person in the
25 harness is slowed down and can land at a safe speed on the ground.

A drawback of the known arrangement is that a person jumping from the elevated structure during his descent along the wired rope can rotate and swing with respect to the rope. These are uncontrolled movements which can for instance cause the person to hit the elevated
30 structure which on its turn can cause injury. Also the uncontrolled movements can cause the descending person to get disorientated, which has a negative effect on the, in an emergency usually necessary, speed of action on arrival at the lower level.

An object of a first aspect of the invention is to provide a rescue arrangement which reduces the uncontrolled movements during the descent.

This object is reached by a rescue arrangement according to the preamble of claim 1, wherein the guiding means comprise at least two substantially parallel tracks, wherein the carrying means are adapted to be connected to at least two of the tracks.

A person descending which is connected to at least two tracks is prevented from rotating and has a reduced freedom for a swinging movement. Thereby the risk of hitting the elevated structure and consequent injury and the disorientation of the descending person are reduced.

As guiding means are preferably used cables, which are secured to the elevated structure and at the lower level with securing means. It is also possible to use solid or hollow rod or bar sections as guiding means instead of cables.

With the known rescue arrangement from US 4,593,787 persons have to disconnect the carrying means from the guiding means themselves when they have arrived at the lower level. The tightened branches of the wired ropes are placed under a considerable tension, which makes it difficult to release the carrying means. Further, people in an emergency situation are usually stressed, which makes them unable to quickly release the carrying means. This limits the amount of people that can be rescued per time unit, since a second person cannot arrive at the lower level before a first person is released and removed from the guiding means, and forms a drawback of the known arrangement.

An object of a second aspect of the invention is to provide an improved rescue arrangement where the amount of people that can be rescued in a certain period of time is increased.

This object is reached by a rescue arrangement according to the preamble of claim 7, wherein the arrangement is adapted for automatically releasing the carrying means from the guiding means at the lower level. In a preferred embodiment the rescue arrangement comprises release means for automatically releasing the carrying means from the guiding means.

By automatically releasing the carrying means from the guiding means the releasing speed is not dependent on the descended person

and is thereby increased. As a result of this the amount of people that can be rescued in a certain time is increased.

With the known rescue arrangement from US 4,593,787 if a descended person in a carrying means is released, he has to get out of the way so that a following person can arrive at the lower level. However, people tend to be confused, stressed and disorientated after a guided free fall from a great height. This can negatively influence their ability to move away from the guiding means and can therefore negatively influence the number of people that can descend per time unit.

An object of a third aspect of the invention is to provide an improved rescue arrangement where the amount of people that can be rescued in a certain period of time is increased.

This can be achieved by a rescue arrangement according to the preamble of claim 11, wherein the arrangement comprises means for moving the object, in particular the person, away automatically from the guiding means after the carrying means have been released from the guiding means or the object has been released from the carrying means.

Hereby a descended person is moved out of the way automatically without being dependent on actions of the person. This means that in general the speed of removing the person away from the guiding means is increased, which increases the amount of people that can descend in a certain period of time.

With the known arrangement from US 4,593,787 during braking of a descending person the branches are released from reels in a controlled manner through the use of the braking means provided on the reels. A drawback of this known design is that the branches have to be reeled back on the reels after the descended person is released before another person can descend. This reeling up of the branches is time consuming and will lead to a low capacity in terms of descending/rescued people per time unit.

An object of a fourth aspect of the invention is to provide an improved rescue arrangement where the amount of people that can be rescued in a certain period of time is increased.

This is achieved by a rescue arrangement according to the preamble of claim 12, wherein the first braking means comprise magnetic means for exerting a braking force on the carrying means.

Magnetic breaking means are known from other fields and are proven technology for slowing down objects. Applying magnetic breaking means in the rescue arrangement has the advantage that a breaking means is provided which is continuously working and can
5 brake high numbers of objects in a short period of time. This implies that the capacity of the rescue arrangement is not limited by the breaking means. As an example of a breaking means can be thought of a magnetic brake which induces a magnetic field by a passing magnetic object.

10 It will be understood that the mentioned four aspects of the invention can be combined.

Further details of the invention will become clear from the following description with reference to the accompanying drawing, wherein:

15 Fig. 1 shows a schematic side view of the arrangement according to the invention,

Fig. 2 shows a schematic front view of the arrangement from Fig. 1, and

20 Fig. 3 shows a detail of a preferred embodiment of the arrangement at the lower level.

In Figs. 1 and 2 an elevated structure 1 is shown. This can be a sky scraper or another structure. In case of an emergency, cables 2 can be let down to the ground level 4 from an overhanging structure 3. The overhanging structure 3 is placed on and secured to the
25 elevated structure 1, for instance at the roof.

The cables are arranged substantially parallel. At the high level the cables 2 are secured to the overhanging structure 3. At the ground level the cables 2 are secured by securing means 6. This can be for instance reels to which the cables are reeled. In order to
30 tension the cables, the reels can be used as tensioning means. Tensioning of the cables can however also take place by other means.

At the overhanging structure 3 is provided a platform 5. A person standing on the platform 5 has to wear a harness 7 or another carrying means. To make sure that a person on the platform is wearing
35 a harness 7 it is favourable that there is a storage 15 for harnesses 7 near the rescue arrangement, for instance on the roof of the structure. Further, it is possible to provide a preconnecting section 16 where a harness 7 can be connected to the cables so that it is

certain that a person who steps on the platform 5 is already coupled to the cables 2.

The harness 7 is provided with straps 8 which have at their free end means 9 that can be coupled to the cables 2 and which can be moved along the cables in a guided way. The means 9 can be provided with rings which can be clipped around the cables 2, but the means 9 can also be provided with wheels which can roll along the cables 2. The means 9 are preferably provided with a magnetic or magnetizable parts (not shown) for a reason which will become clear hereinafter.

The person wearing a harness 7 can attach the means 9 to the cables 2 in the preconnecting section 16, move on to the platform 5 and jump from the platform 5. The means slide or roll along the cables 2 during descent, which results in a guided fall from the elevated structure 1 to the ground level 4. Since the harness 7 is attached to two substantially parallel cables 2, the person and the harness 7 will remain between the cables 2 during descent and the freedom of movement is limited.

Near the ground level 4 there are provided first braking means 10 for slowing down and/or stopping the harness 7. Preferably the first braking means 10 comprise magnetic means for exerting a magnetic force on the magnetic or magnetizable parts of the means 9. The magnetic or magnetizable parts from the means 9 can comprise a metal plate. However, the first braking means 10 do not necessarily have to exert a magneticly induced force, but can also be designed to exert a mechanical or hydraulic force to the carrying means.

It is possible to provide second braking means (not shown) between the higher level and the first braking means. The carrying means and the person in it are then slowed down intermediately, which can be favourable, especially in case of a descent from a great height, because the carrying means near the ground level does not at once have to be decelerated from a very high speed, which causes the person to experience high deceleration forces. Also the second braking means comprise magnetic means for exerting a braking force on the carrying means.

In the figures the first braking means 10 and the securing means 6 are provided on a unit 11 which is placed on the ground level 4. The unit 11 can for instance be provided with release means (not shown) for automatically releasing the means 9 of the harness 7 and

the person in it from the cables 2 at the ground level. Also, in the unit 11 means (not shown) for moving a descended person with the harness 7 away from the cables 2 after the means 9 are released from the cables 2 by the release means. The means for moving a descended
5 person away can for example be a conveyor belt type means, which turns constantly and moves the person landing on it directly away.

It is possible to secure the guiding means at the lower level in such a way, that they form a sort of open end, where the means 9 slide off the guiding means automatically. In this way a very simple
10 and effective way to automatically release a carrying means from the guiding means is provided.

In Fig. 3 a detail of a preferred embodiment is shown of the arrangement at the lower level, for instance on a unit 11. Fig. 3 shows the cables 2 which are connected to braking means 10. The
15 braking means 10 are secured by securing means 17, which can also be used to tension the cables 2. Between the cables 2 a chute 18 is placed. The descended people that are released, slide further down along the chute 18 and out of the way of the landing spot.

The unit 11 can be placed near a high structure permanently as a
20 stand alone unit as is shown in the figures. The unit can also be placed on and secured to a fire truck, which has the advantage that it can be used for more than one building, because it can be transported to a structure where an emergency occurs.

Also the whole rescue arrangement according to the invention
25 can be a mobile arrangement which can for instance on a fire truck be transported to an emergency site. It is also possible that the arrangement is placed at a building in a permanent manner.

C L A I M S

1. Rescue arrangement for effecting a rapid descent from a higher level, more specifically from an elevated structure (1), to a lower level, the rescue arrangement comprising:
- guiding means (2) which substantially extend between the higher level and the lower level,
 - carrying means (7, 8, 9) which are connectable with the guiding means (2) for carrying an object, in particular a person, from the higher level to the lower level via the guiding means (2),
 - first braking means (10) located at the guiding means (2) near the lower level for slowing down and/or stopping the carrying means (7) near the lower level,
- characterized in that** the guiding means (2) comprise at least two substantially parallel tracks, wherein the carrying means (7, 8, 9) are adapted to be connected to at least two of the tracks.
2. Rescue arrangement according to claim 1, **characterized in that** the parallel tracks are formed by cables (2) which are secured at the higher level and at the lower level.
3. Rescue arrangement according to claim 1, **characterized in that** the parallel tracks are formed by rods or bars which are secured at the higher level and at the lower level.
4. Rescue arrangement according to any of the preceding claims, **characterized in that** the arrangement further is adapted for automatically releasing the carrying means (7, 8, 9) from the guiding means (2) at the lower level.
5. Rescue arrangement according to claim 4, **characterized in that** it comprises release means for automatically releasing the carrying means (7, 8, 9) from the guiding means (2) at the lower level.
6. Rescue arrangement according to any of the preceding claims, **characterized in that** the arrangement comprises means for moving the object away from the guiding means after the carrying means (7, 8, 9)

have been released from the guiding means (2) or the object has been released from the carrying means (7, 8, 9).

7. Rescue arrangement for effecting a rapid descent from a higher level, more specifically from an elevated structure (1), to a lower level, the rescue arrangement comprising:

- guiding means (2) which substantially extend between the higher level and the lower level,

- carrying means (7, 8, 9) which are connectable with the guiding means (2) for carrying an object, in particular a person, from the higher level to the lower level via the guiding means (2),

- first braking means (10) located at the guiding means (2) near the lower level for slowing down and/or stopping the carrying means (7, 8, 9) near the lower level,

characterized in that the arrangement is adapted for automatically releasing the carrying means (7, 8, 9) from the guiding means (2) at the lower level.

8. Rescue arrangement according to claim 7, **characterized in that** it comprises release means for automatically releasing the carrying means (7, 8, 9) from the guiding means (2) at the lower level.

9. Rescue arrangement according to claim 7 or 8, **characterized in that** the arrangement comprises means for moving the object away automatically from the guiding means (2) after the carrying means (7, 8, 9) have been released from the guiding means (2) or the object has been released from the carrying means (7, 8, 9).

10. Rescue arrangement according to any of the preceding claims, **characterized in that** the first braking means (10) comprise magnetic means for exerting a braking force on the carrying means (7, 8, 9).

11. Rescue arrangement for effecting a rapid descent from a higher level, more specifically from an elevated structure (1), to a lower level, the rescue arrangement comprising:

- guiding means (2) which substantially extend between the higher level and the lower level,

- carrying means (7, 8, 9) which are connectable with the guiding means (2) for carrying an object, in particular a person, from the higher level to the lower level via the guiding means (2),

5 - first braking means (10) located at the guiding means (2) near the lower level for slowing down and/or stopping the carrying means (7, 8, 9) near the lower level,

- **characterized in that** arrangement comprises means (18) for moving the object away automatically from the guiding means (2) after the carrying means (7, 8, 9) have been released from the guiding
10 means (2) or the object is released from the carrying means (7, 8, 9).

12. Rescue arrangement for effecting a rapid descent from a higher level, more specifically from an elevated structure (1), to a lower
15 level, the rescue arrangement comprising:

- guiding means (2) which substantially extend between the higher level and the lower level,

- carrying means (7, 8, 9) which are connectable with the guiding means (2) for carrying an object, in particular a person,
20 from the higher level to the lower level via the guiding means (2),

- first braking means (10) located at the guiding means (2) near the lower level for slowing down and/or stopping the carrying means (7, 8, 9) near the lower level,

characterized in that the first braking means (10) comprise
25 magnetic means for exerting a braking force on the carrying means (7, 8, 9).

13. Rescue arrangement according to any of the preceding claims,
characterized in that second braking means are provided between the
30 higher level and the first braking means (10).

14. Rescue arrangement according to claim 13, **characterized in that** the second braking means comprise magnetic means for exerting a braking force on the carrying means (7, 8, 9).

35

15. Rescue arrangement according to any of the preceding claims, **characterized in that** the guiding means (2) at the lower level are secured to a fire truck.

16. Rescue arrangement according to any of the preceding claims, **characterized in that** the first braking means (10) are provided on a fire truck.

5

17. Rescue arrangement according to claim 2, **characterized in that** the arrangement comprises tensioning means for tensioning the cables.

18. Rescue arrangement according to claim 17, **characterized in that**
10 the tensioning means are provided on a fire truck.

19. Rescue arrangement according to any of the preceding claims, **characterized in that** the carrying means (7, 8, 9) comprise a harness (7) which is adapted to carry a person.

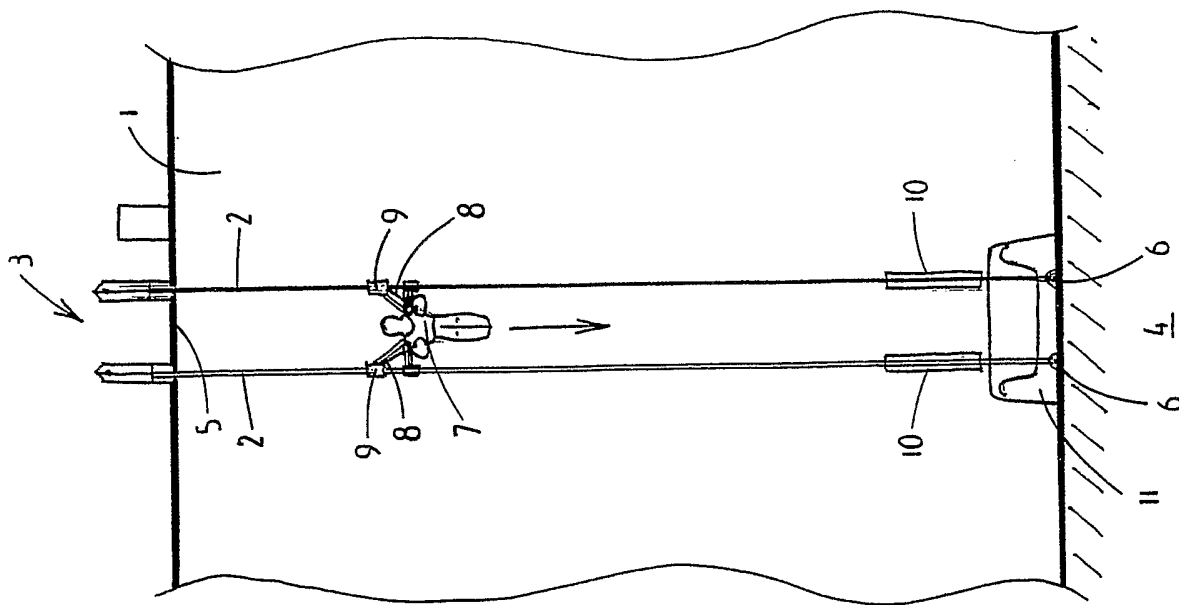


Fig. 2

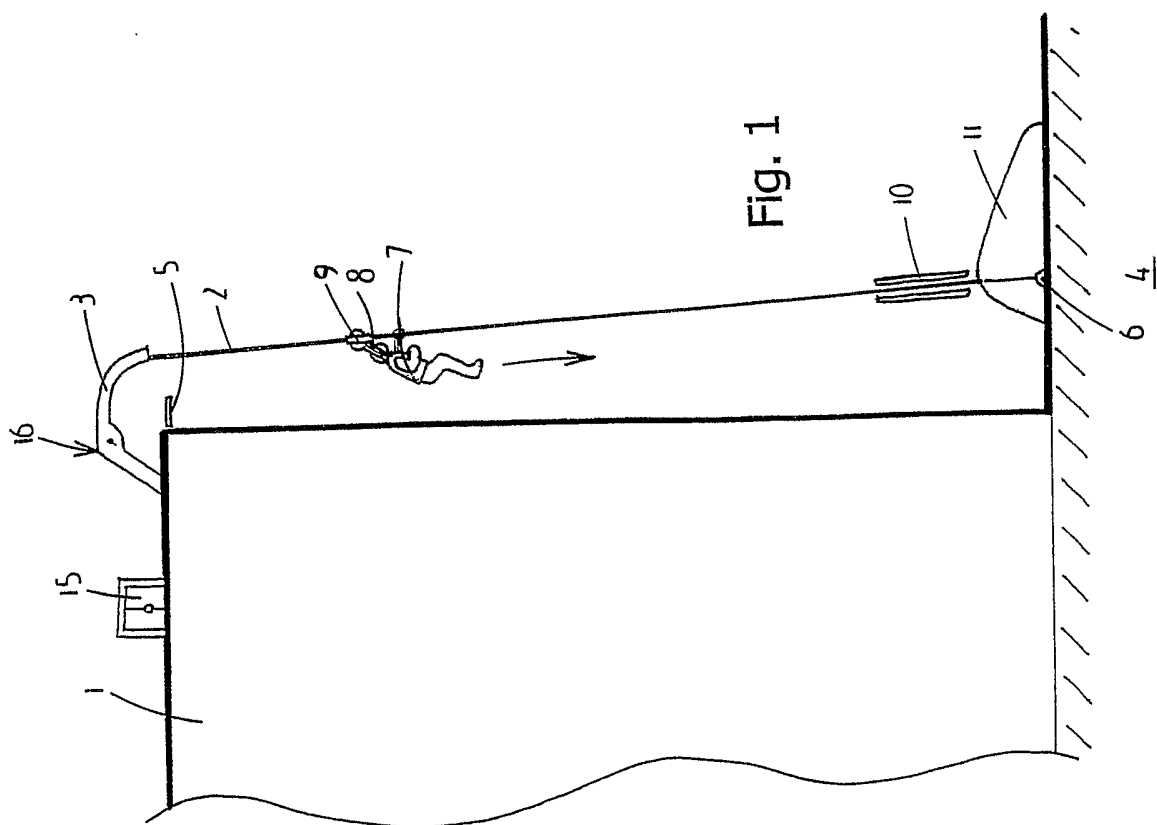


Fig. 1

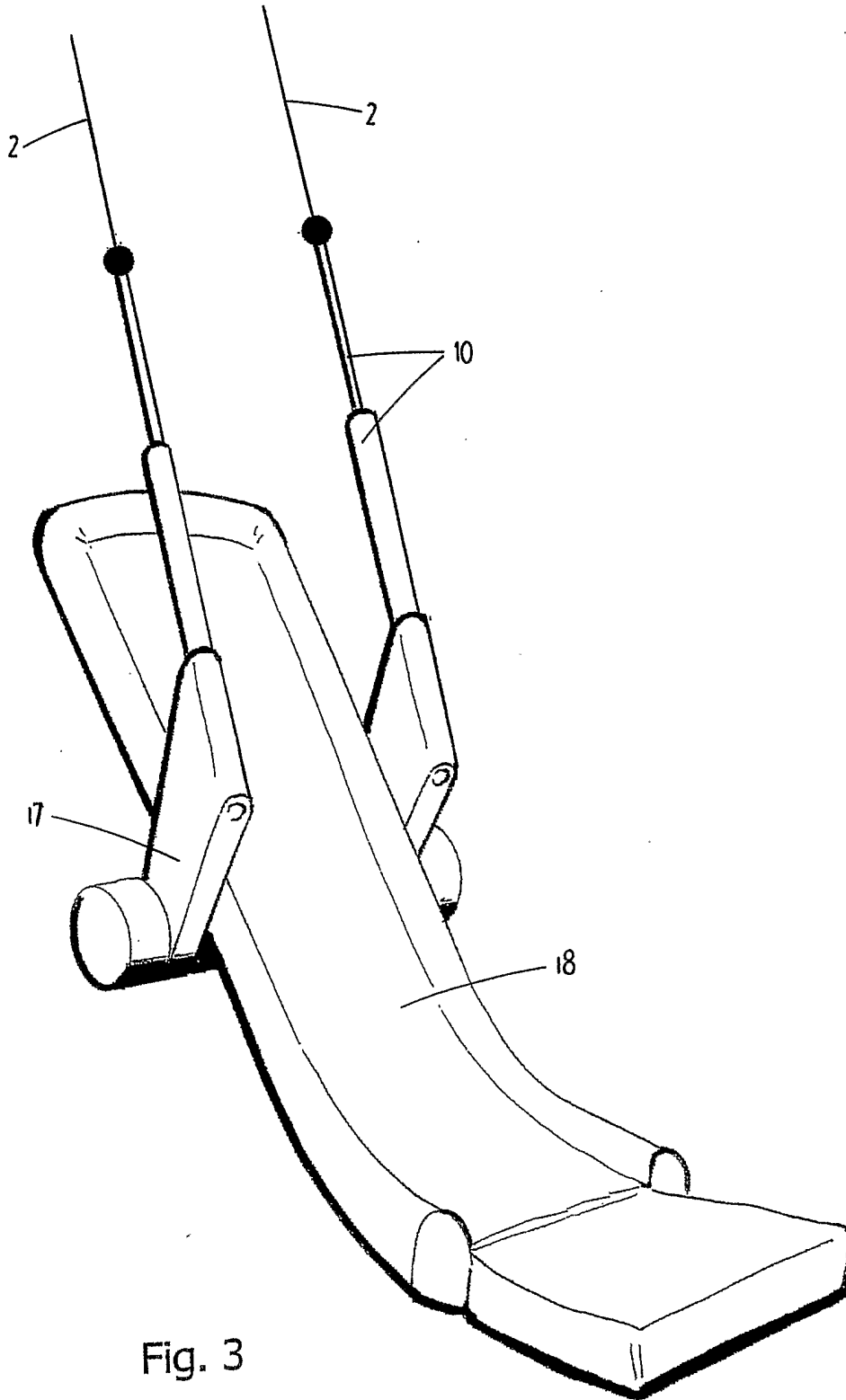


Fig. 3

INTERNATIONAL SEARCH REPORT

International Application No
PCT/EP 03/10260

A. CLASSIFICATION OF SUBJECT MATTER
IPC 7 A62B1/02

According to International Patent Classification (IPC) or to both national classification and IPC

B. FIELDS SEARCHED

Minimum documentation searched (classification system followed by classification symbols)
IPC 7 A62B

Documentation searched other than minimum documentation to the extent that such documents are included in the fields searched

Electronic data base consulted during the international search (name of data base and, where practical, search terms used)

EPO-Internal, WPI Data, PAJ

C. DOCUMENTS CONSIDERED TO BE RELEVANT

Category °	Citation of document, with indication, where appropriate, of the relevant passages	Relevant to claim No.
Y	DE 299 22 278 U (POLSTER BERNHARD ;PREISING PAUL ERIC (DE)) 23 March 2000 (2000-03-23) the whole document ---	1-3, 10, 12, 15, 17-19
Y	US 4 997 060 A (SASSAK JOHN J) 5 March 1991 (1991-03-05) the whole document ---	1-3, 10, 12, 15, 17-19
A	US 4 538 704 A (FORREST WILLIAM E) 3 September 1985 (1985-09-03) the whole document ---	1-19
A	US 4 122 917 A (KENDRICK THEODORE T) 31 October 1978 (1978-10-31) the whole document -----	1-19

Further documents are listed in the continuation of box C.

Patent family members are listed in annex.

° Special categories of cited documents :

- *A* document defining the general state of the art which is not considered to be of particular relevance
- *E* earlier document but published on or after the international filing date
- *L* document which may throw doubts on priority claim(s) or which is cited to establish the publication date of another 'citation or other special reason (as specified)
- *O* document referring to an oral disclosure, use, exhibition or other means
- *P* document published prior to the international filing date but later than the priority date claimed

- *T* later document published after the international filing date or priority date and not in conflict with the application but cited to understand the principle or theory underlying the invention
- *X* document of particular relevance; the claimed invention cannot be considered novel or cannot be considered to involve an inventive step when the document is taken alone
- *Y* document of particular relevance; the claimed invention cannot be considered to involve an inventive step when the document is combined with one or more other such documents, such combination being obvious to a person skilled in the art.
- * & * document member of the same patent family

Date of the actual completion of the international search

4 November 2003

Date of mailing of the international search report

12/11/2003

Name and mailing address of the ISA
European Patent Office, P.B. 5818 Patentlaan 2
NL - 2280 HV Rijswijk
Tel. (+31-70) 340-2040, Tx. 31 651 epo nl,
Fax: (+31-70) 340-3016

Authorized officer

Neiller, F

INTERNATIONAL SEARCH REPORT

International Application No
PCT/EP 03/10260

Patent document cited in search report		Publication date	Patent family member(s)	Publication date
DE 29922278	U	23-03-2000	DE 29922278 U1	23-03-2000
US 4997060	A	05-03-1991	NONE	
US 4538704	A	03-09-1985	NONE	
US 4122917	A	31-10-1978	NONE	