



US00D371908S

United States Patent [19]

[11] Patent Number: **Des. 371,908**

Umiker

[45] Date of Patent: ****Jul. 23, 1996**

[54] **FOLDABLE CONTAINER**
 [75] Inventor: **Hans Umiker**, Egg/Zürich, Switzerland
 [73] Assignee: **Schoeller-Plast SA**, Switzerland
 [**] Term: **14 Years**

2,000,738	5/1935	Benoit	229/120.17	X
3,084,790	4/1963	Lugt, Jr.	229/120.17	X
3,167,211	1/1965	McCormick	D3/305	X
5,009,363	4/1991	Zavatone	229/120.17	

Primary Examiner—Prabhakar G. Deshmukh
Attorney, Agent, or Firm—Remy J. VanOphem; John VanOphem

[21] Appl. No.: **40,556**
 [22] Filed: **Jun. 21, 1995**

[57] CLAIM

The ornamental design for a foldable container, as shown and described.

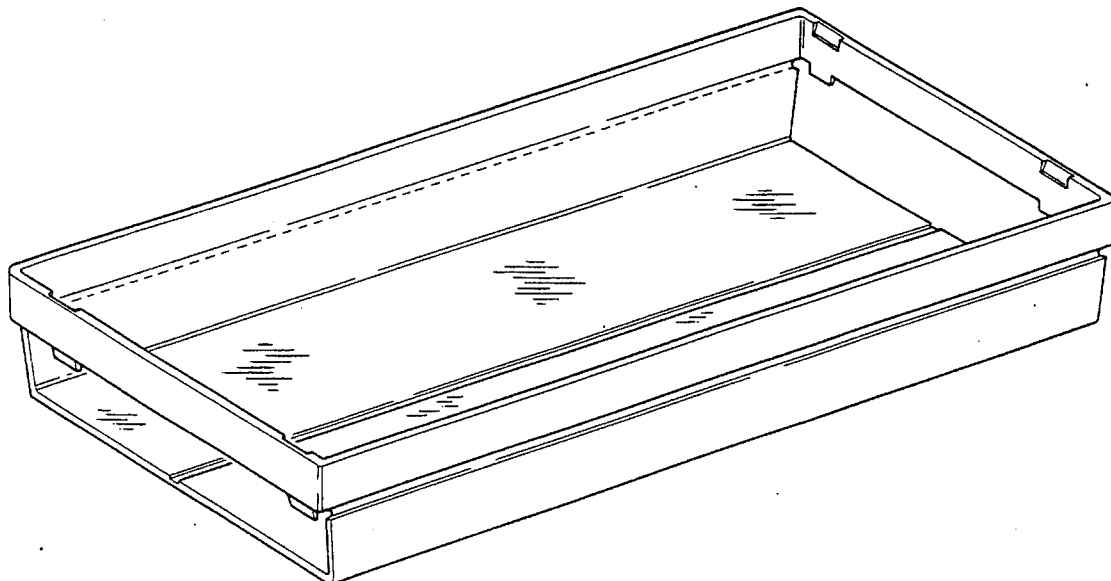
[30] **Foreign Application Priority Data**
 Dec. 23, 1994 [DE] Germany M 94 10 108.6
 [52] **U.S. Cl.** **D3/305; D9/346**
 [58] **Field of Search** D3/305, 314, 315,
 D3/905; D9/341, 346, 425, 432; 206/503,
 518, 517, 557, 561; 229/120.17, 120.08;
 220/666, 529, 551

DESCRIPTION

FIG. 1 is a perspective view of foldable container showing my new design;
 FIG. 2 is a front elevational view thereof; the rear elevational view being a mirror image thereof;
 FIG. 3 is a top plan view thereof;
 FIG. 4 is a left side elevational view thereof; the right side elevational view being a mirror image thereof;
 FIG. 5 is a left side elevational view thereof; shown in an alternate position; and,
 FIG. 6 is a bottom plan view thereof.

[56] **References Cited**
U.S. PATENT DOCUMENTS
 D. 210,739 4/1968 Hasselbach D9/425 X
 D. 260,080 8/1981 Ravotto et al. D9/418
 D. 325,278 4/1992 Van Der Vlies D3/305

1 Claim, 3 Drawing Sheets



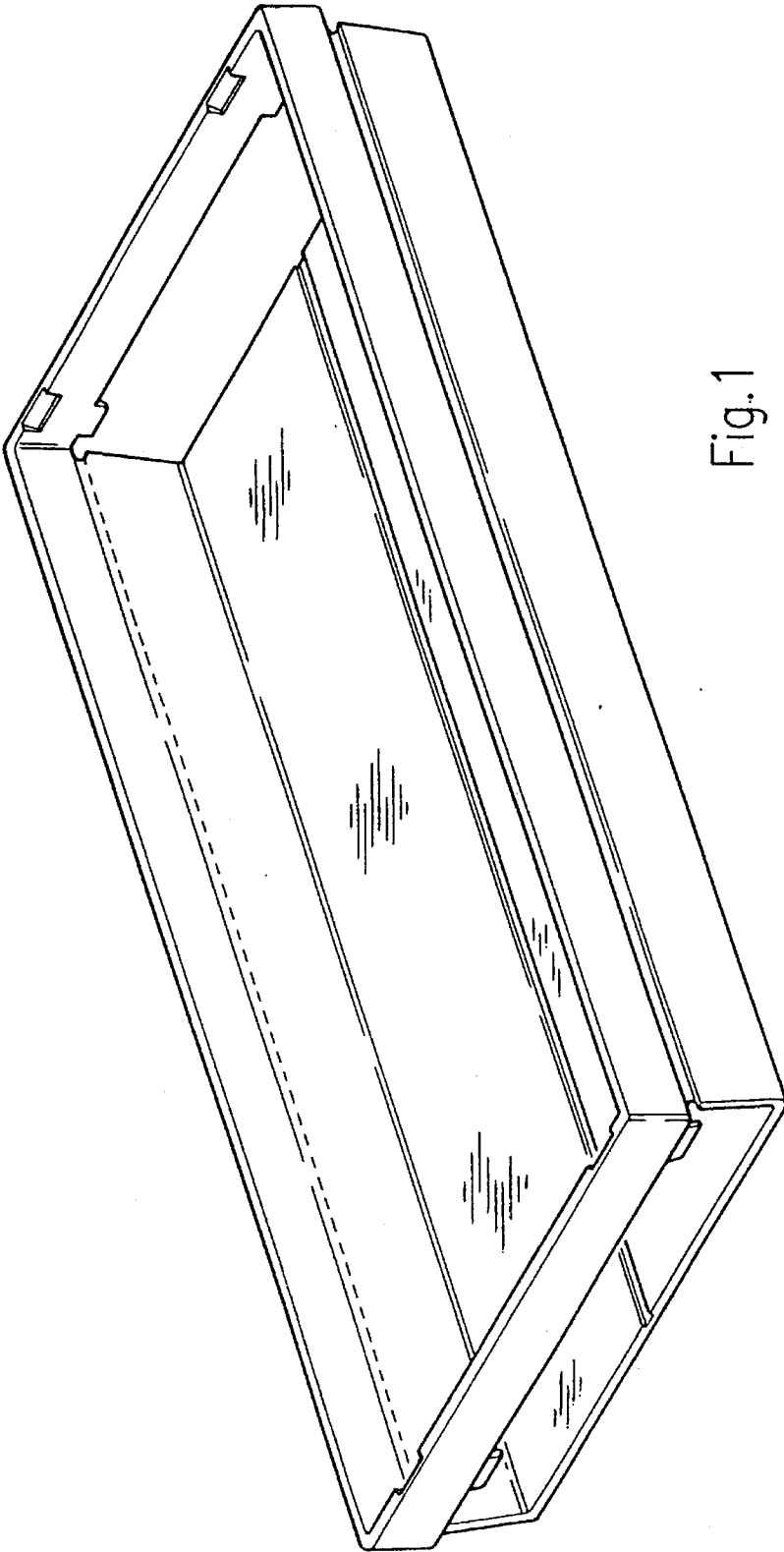


Fig. 1

Fig.2

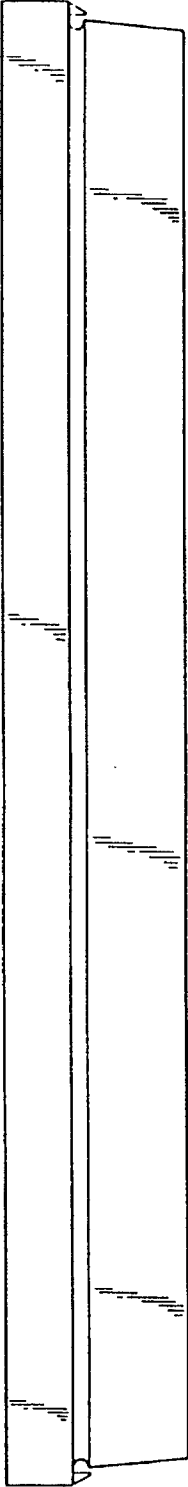
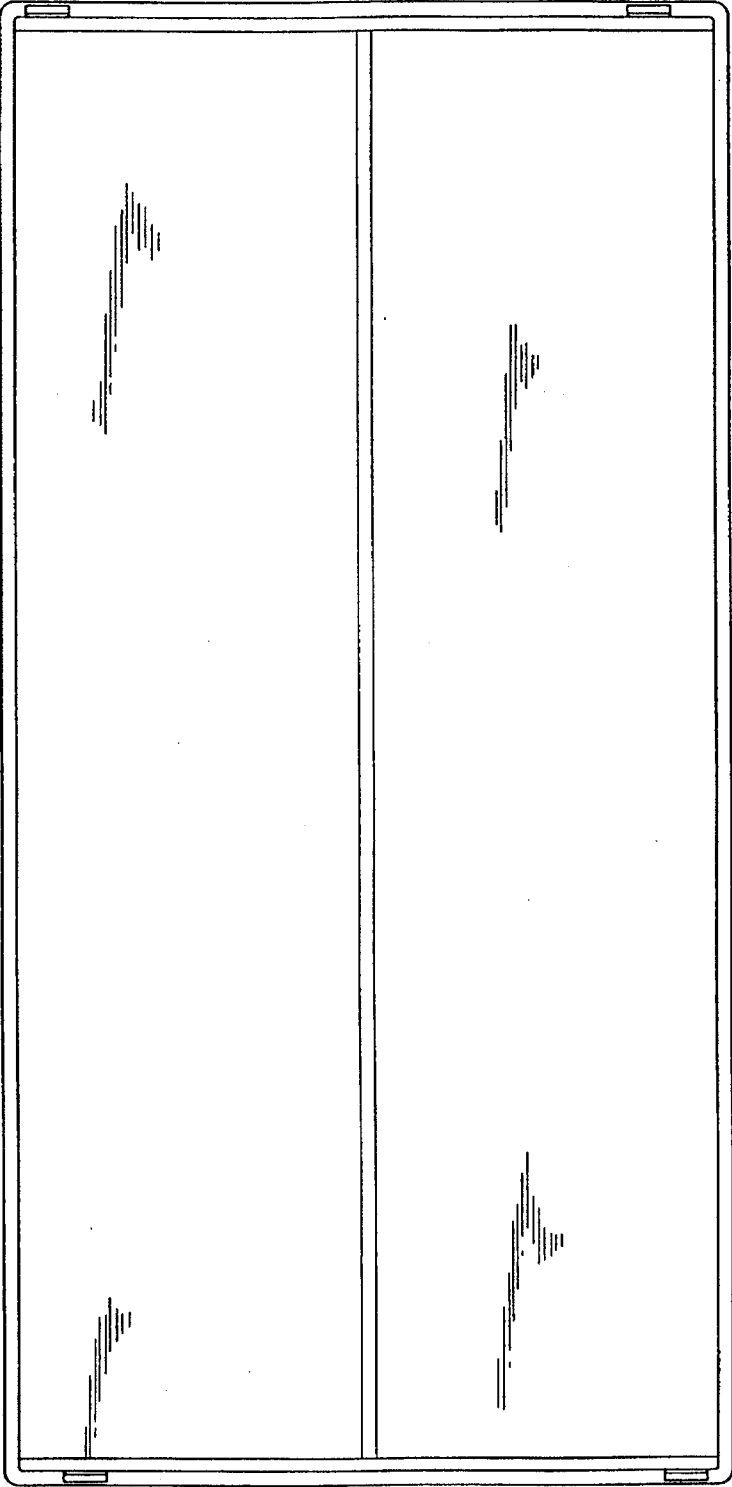


Fig.3



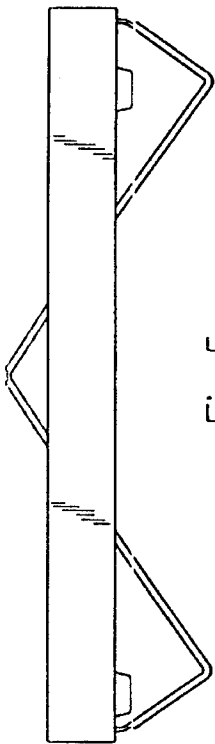


Fig. 5

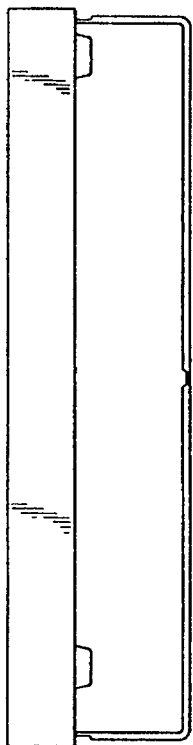


Fig. 4

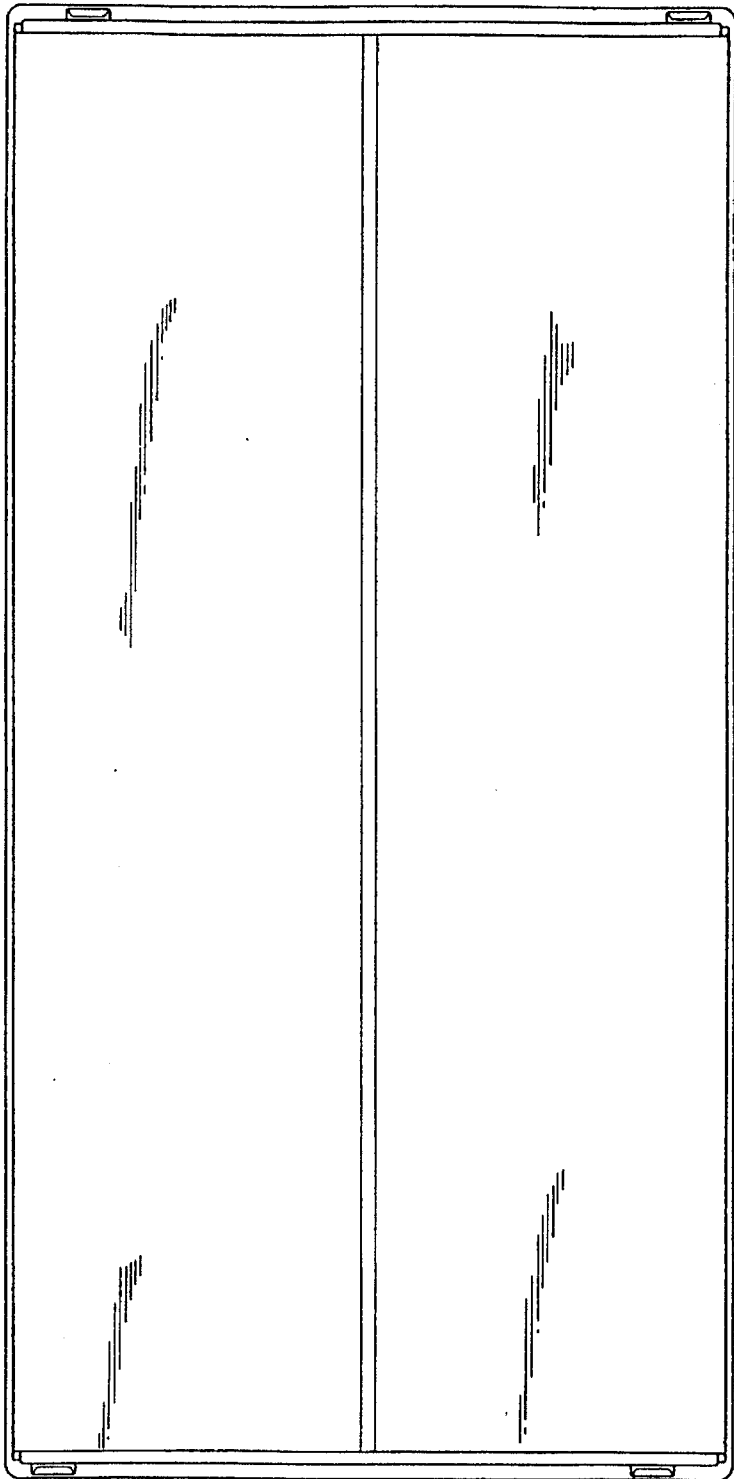


Fig. 6