



US00D658514S

(12) **United States Design Patent**
Mille

(10) **Patent No.:** **US D658,514 S**

(45) **Date of Patent:** **** May 1, 2012**

(54) **WATCH**

(75) Inventor: **Richard Mille**, Moulins (FR)

(73) Assignee: **Turlen Holding SA**, Delmont (CH)

(**) Term: **14 Years**

(21) Appl. No.: **29/391,041**

(22) Filed: **May 3, 2011**

(30) **Foreign Application Priority Data**

Nov. 3, 2010 (WO) DM/074 668

(51) **LOC (9) Cl.** **10-02**

(52) **U.S. Cl.** **D10/39**

(58) **Field of Classification Search** D10/30-39,
D10/123-126; 368/276, 281, 282, 80, 223,
368/228, 232, 285

See application file for complete search history.

(56) **References Cited**

U.S. PATENT DOCUMENTS

| | | | | | | |
|-----------|---|---|---------|-----------|-------|---------|
| 4,534,660 | A | * | 8/1985 | Laesser | | 368/220 |
| D401,864 | S | * | 12/1998 | Navera | | D10/32 |
| D404,320 | S | * | 1/1999 | Chodat | | D10/39 |
| D438,473 | S | * | 3/2001 | Dumas | | D10/39 |
| D456,274 | S | * | 4/2002 | Mille | | D10/30 |
| D457,818 | S | * | 5/2002 | Avranches | | D10/39 |
| D505,342 | S | * | 5/2005 | Hayek | | D10/39 |
| D506,684 | S | * | 6/2005 | Junod | | D10/30 |
| D519,390 | S | * | 4/2006 | Lovegrove | | D10/39 |

| | | | | | | |
|----------|---|---|---------|-------------------|-------|---------|
| D530,628 | S | * | 10/2006 | Raffy | | D10/32 |
| D540,699 | S | * | 4/2007 | Niculescu | | D10/39 |
| D553,020 | S | * | 10/2007 | Sirmakes | | D10/32 |
| D568,180 | S | * | 5/2008 | Laucella | | D10/39 |
| D570,230 | S | * | 6/2008 | Monachon | | D10/32 |
| D573,487 | S | * | 7/2008 | Sanz | | D10/39 |
| D579,793 | S | * | 11/2008 | Hayek | | D10/39 |
| D606,888 | S | * | 12/2009 | Mille | | D10/38 |
| D616,312 | S | * | 5/2010 | Ellia | | D10/39 |
| D624,439 | S | * | 9/2010 | Wunderman | | D10/32 |
| D629,322 | S | * | 12/2010 | Behling | | D10/124 |
| D636,692 | S | * | 4/2011 | Pospieszny et al. | | D10/129 |
| D648,639 | S | * | 11/2011 | Mille | | D10/39 |
| D650,708 | S | * | 12/2011 | Laucella | | D10/39 |

FOREIGN PATENT DOCUMENTS

CH 699165 B1 * 1/2010

* cited by examiner

Primary Examiner — Lucy Lieberman

(74) *Attorney, Agent, or Firm* — Collen IP; Donald J. Ranft

(57) **CLAIM**

The ornamental design for a watch, as shown.

DESCRIPTION

FIG. 1 is a front view of a watch showing our new design;
FIG. 2 is a rear view thereof;
FIG. 3 is a right side view thereof;
FIG. 4 is left side view thereof;
FIG. 5 is a bottom view thereof;
FIG. 6 is a front perspective view thereof; and,
FIG. 7 is a rear perspective view thereof.

1 Claim, 7 Drawing Sheets

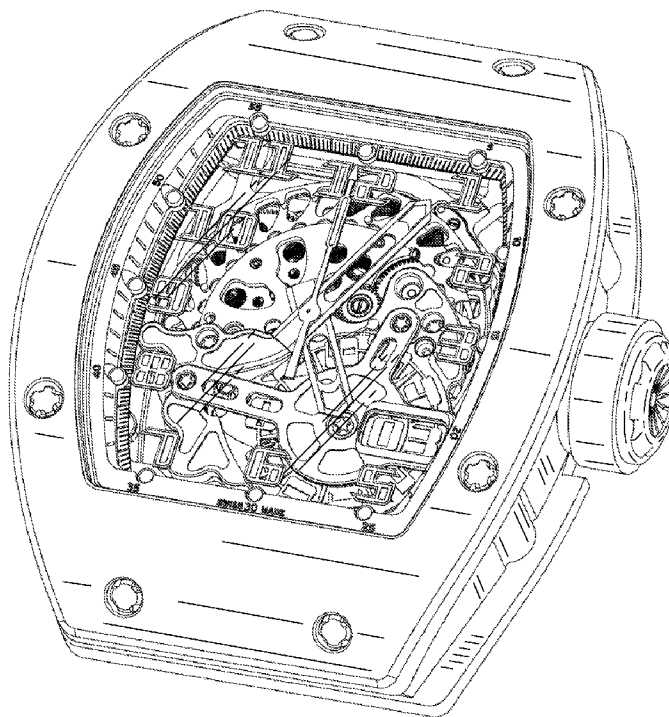




Fig. 1



Fig. 2

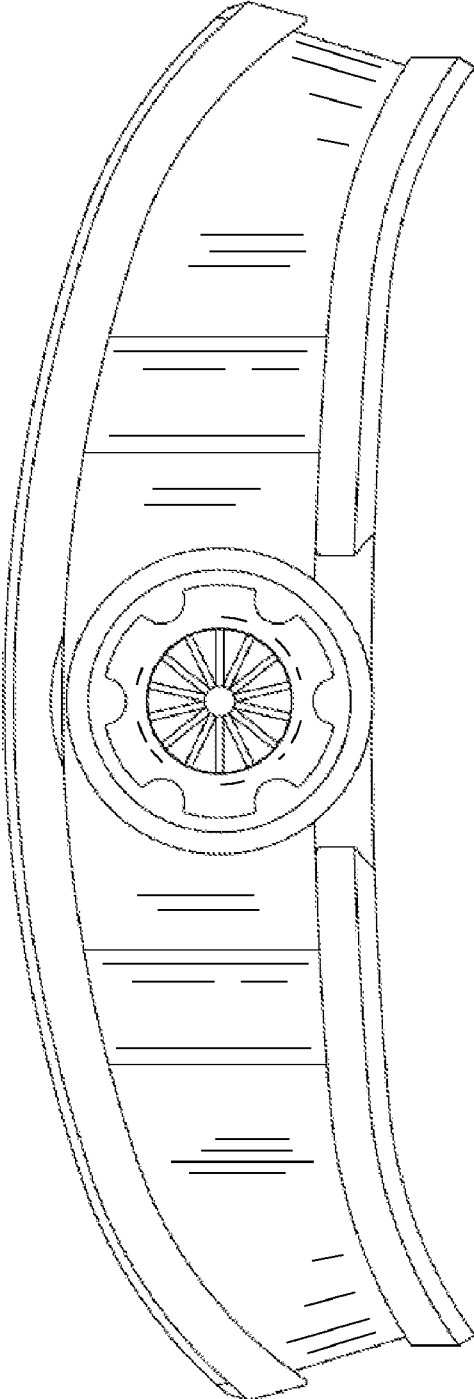


Fig. 3

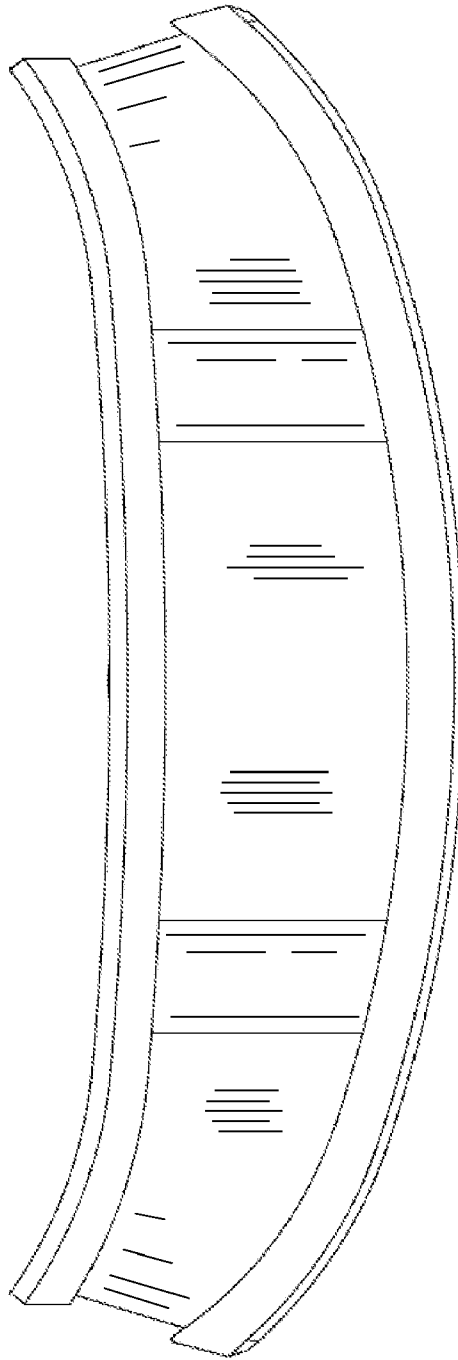


Fig. 4

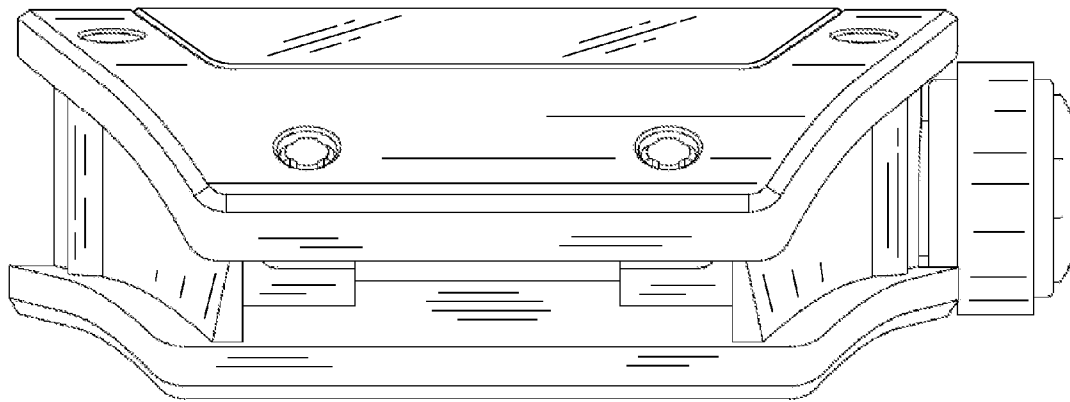


Fig. 5

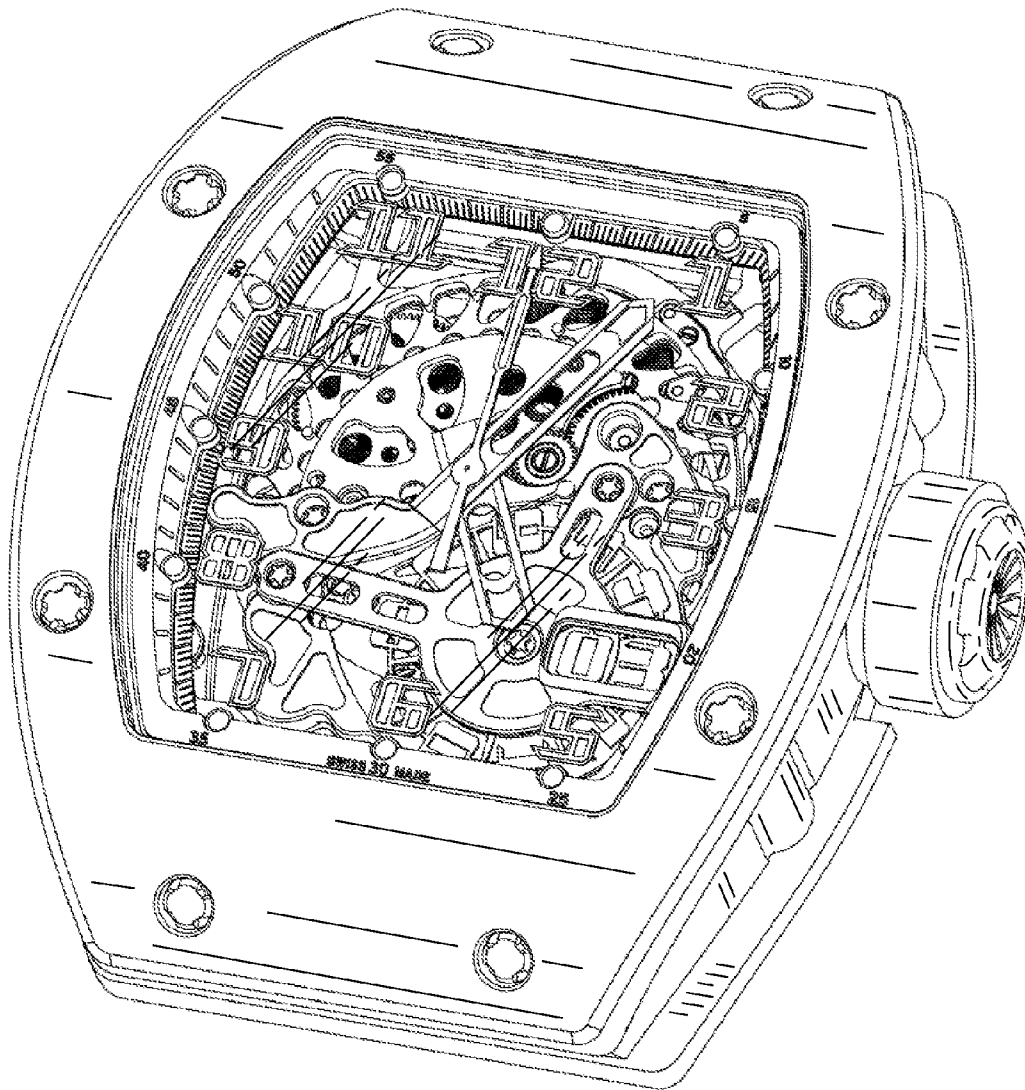


Fig. 6



Fig. 7