

(12) INTERNATIONAL APPLICATION PUBLISHED UNDER THE PATENT COOPERATION TREATY (PCT)

(19) World Intellectual Property Organization
International Bureau



(43) International Publication Date
9 August 2001 (09.08.2001)

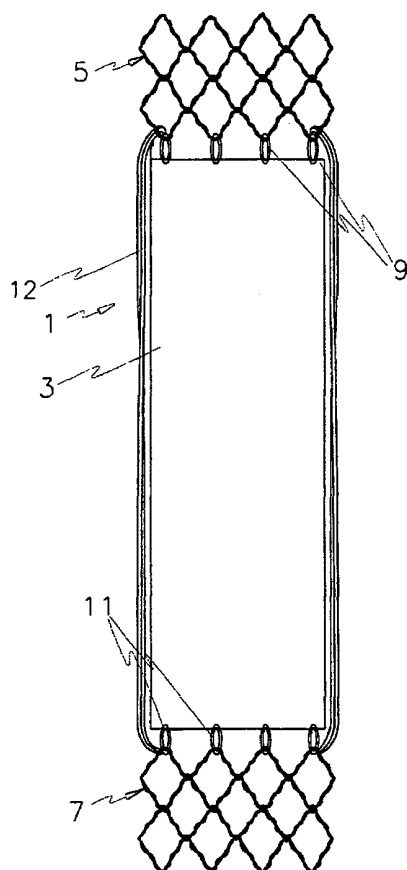
PCT

(10) International Publication Number
WO 01/56501 A1

- (51) International Patent Classification⁷: **A61F 2/06** [KR/KR]; Poongam-mo Apt. 104-1501, 1101, Poongam-dong, Seo-ku, Gwangju-city 502-156 (KR). **KIM, Eun-Sang** [KR/KR]; 361-26, Cheonho 4-dong, Kangdong-ku, Seoul 134-870 (KR).
- (21) International Application Number: PCT/KR01/00179
- (22) International Filing Date: 7 February 2001 (07.02.2001)
- (25) Filing Language: English
- (26) Publication Language: English
- (30) Priority Data:
2000/5568 7 February 2000 (07.02.2000) KR
2000/10168 29 February 2000 (29.02.2000) KR
- (71) Applicant (for all designated States except US): **S & G BIOTECH INC.** [KR/KR]; 388-1, Pungnap-dong, Songpa-ku, Seoul 138-736 (KR).
- (72) Inventors; and
- (75) Inventors/Applicants (for US only): **KANG, Sung-Gwon**
- (74) Agent: **KIM, Won-Ho**; Teheran Building, 7th Floor, 825-33, Yoksam-dong, Kangnam-ku, Seoul 135-080 (KR).
- (81) Designated States (national): AE, AG, AL, AM, AT, AU, AZ, BA, BB, BG, BR, BY, BZ, CA, CH, CN, CR, CU, CZ, DE, DK, DM, DZ, EE, ES, FI, GB, GD, GE, GH, GM, HR, HU, ID, IL, IN, IS, JP, KE, KG, KP, KZ, LC, LK, LR, LS, LT, LU, LV, MA, MD, MG, MK, MN, MW, MX, MZ, NO, NZ, PL, PT, RO, RU, SD, SE, SG, SI, SK, SL, TJ, TM, TR, TT, TZ, UA, UG, US, UZ, VN, YU, ZA, ZW.
- (84) Designated States (regional): ARIPO patent (GH, GM, KE, LS, MW, MZ, SD, SL, SZ, TZ, UG, ZW), Eurasian patent (AM, AZ, BY, KG, KZ, MD, RU, TJ, TM), European

[Continued on next page]

(54) Title: BLOOD VESSEL GRAFT AND GRAFT INTRODUCER



(57) Abstract: Disclosed are a blood vessel graft and a graft introducer, the graft having a main body and first and second stents each mounted on an end of the main body, the graft introducer including an insertion tube member in which the blood vessel graft main body and the first stent member are inserted in a state where they are contracted, a first pusher member into which the second stent member is inserted in a state where it is contracted, the first pusher member being movably inserted into the insertion tube member to push the first stent member and the blood vessel graft main body out of the insertion tube member, and a second pusher member in which a catheter passing through the introducer is inserted, the second pusher member being movably inserted into the pusher member to push the second stent member inserted in the first pusher member out of the insertion tube member, thereby disposing the blood vessel graft in the blood vessel.



WO 01/56501 A1



patent (AT, BE, CH, CY, DE, DK, ES, FI, FR, GB, GR, IE, IT, LU, MC, NL, PT, SE, TR), OAPI patent (BF, BJ, CF, CG, CI, CM, GA, GN, GW, ML, MR, NE, SN, TD, TG).

For two-letter codes and other abbreviations, refer to the "Guidance Notes on Codes and Abbreviations" appearing at the beginning of each regular issue of the PCT Gazette.

Published:

— *with international search report*

BLOOD VESSEL GRAFT AND GRAFT INTRODUCER

BACKGROUND OF THE INVENTION AND PRIOR ART

(a) Field of the Invention

5 The present invention relates to a blood vessel graft and a graft introducer, and more particularly, to a graft introducer that can easily guide a blood vessel graft into a blood vessel, and to such a blood vessel graft that is reduced in its diameter when it is contracted, thereby making it possible to minimize inner and outer diameters of the introducer so that the introducer
10 can be easily inserted into the weakened blood vessel.

(b) Description of the Related Art

 As an example, an aneurysm is an abnormal blood-filled dilatation of a blood vessel, and especially an artery, resulting from disease of the vessel wall. It is a very dangerous malady, such that the vessel wall may be broken
15 when the blood pressure within the blood vessel is increased above a predetermined level.

 Such an aneurysm is generally cured through a surgical operation. However, for a patient to whom the surgical operation cannot be applied, a blood vessel graft has been developed. But since an introducer for locating
20 the graft in the blood vessel has a diameter larger than 6mm, the blood vessel should be locally opened through surgery, potentially causing complications. Furthermore, if the blood vessel is complicatedly curved, it is very difficult to dispose the graft in the blood vessel. Therefore, a punching operation method has been developed and used.

25 In the punching operation method, a surgical operation for opening the blood vessel is not performed, but a minute hole is formed in the artery, and the introducer is inserted into the artery through the minute hole. The blood vessel graft is then disposed in the weakened blood vessel by way of the introducer.

30 To use such a punching operation method, it is required that the inner and outer diameters of the graft introducer be less than, for example, 4mm

and 4.5 mm, respectively. In addition, the diameter of the graft when it is contracted should be less than the inner diameter of the introducer so that it can be inserted into the introducer.

5 The conventional graft introducer includes an insertion tube into which the blood vessel graft is inserted, and a pusher for pushing the inserted graft out of the insertion tube. The blood vessel graft includes a graft main body that is introduced into the blood vessel, and self-expandable stents mounted inside of each end of the main body to maintain the shape of the blood vessel when it is disposed in the blood vessel.

10 However, in the conventional blood vessel graft, since the self-expandable stents are each mounted inside an end of the main body, the graft main body and the stents overlap, increasing the diameter of the graft when it is contracted. This results in increasing inner and outer diameters of the introducer into which the blood vessel graft is inserted.

15

SUMMARY OF THE INVENTION

The present invention has been made in an effort to solve the above described problems, and it is an object of the present invention to provide a graft introducer that can easily guide a blood vessel graft into a blood vessel, and to such a blood vessel graft that is reduced in its diameter when it is contracted, thereby making it possible to minimize inner and outer diameters of the introducer so that the introducer can be easily inserted into the weakened blood vessel.

20 To achieve the above object, the present invention provides a blood vessel graft having a front side and a rear side in a lengthwise direction, the blood vessel graft comprising:

a flexible blood vessel graft main body to be disposed within a blood vessel to prevent blood pressure from being applied to a weakened blood vessel, the flexible blood vessel graft main body having a front end and a rear end;

30 a first stent member having a front end and a rear end, the rear end of the first stent member being connected to the front end of the flexible blood

vessel graft main body with a gap between the rear end of the first stent member and the front end of the flexible blood vessel graft main body to avoid overlapping the blood vessel graft main body and the first stent member; and

5 a second stent member having a front end and a rear end, the front end of the second stent member being connected to the rear end of the flexible blood vessel main body with a gap between the front end of the second stent member and the rear end of the flexible blood vessel main body to avoid overlapping the blood vessel graft main body and the second stent member.

10 Preferably, the first stent member has an identical structure to that of the second stent member. A diameter of the second stent member when the second stent member is contracted is smaller than that of the first stent member.

15 Each of the first and second stent members comprise a plurality of reference turns each having a unit member which has a zigzag shape, and having a plurality of straight sections and a plurality of bending points that are interlocked with those of an adjacent reference turn so as to provide a mesh-structure. Each of the first and second stent members further comprise an overlapped member twisted along the straight sections.

20 The second stent member is formed of a wire having a diameter of less than that of the first stent member. The first and second stent members are connected to each other by connecting bars, each of the connecting bars being formed of wires twisted with each other more than twice.

25 The rear end of the first stent member is connected to the front end of the flexible blood vessel graft main body by a connecting member, and the gap between the rear end of the first stent member and the front end of the flexible blood vessel graft main body is over a predetermined length of about 3mm.

30 The front end of the second stent member is connected to the rear end of the flexible blood vessel main body by a connecting member, and the gap between the front end of the second stent member and the rear end of the flexible blood vessel main body is over a predetermined length of about

3mm.

According to another aspect, the present invention provides a graft introducer for disposing a blood vessel graft in a blood vessel, the blood vessel graft having a main body and first and second stents, each connected
5 to an end of the main body, the graft introducer comprising:

an insertion tube member into which the blood vessel graft main body and the first stent member are inserted in a state where they are contracted;

a first pusher member into which the second stent member is inserted in a state where it is contracted, the first pusher member being movably
10 inserted into the insertion tube member to push the first stent member and the blood vessel graft main body out of the insertion tube member; and

a second pusher member into which a catheter passing through the introducer is inserted, the second pusher member being movably inserted into the first pusher member to push the second stent member inserted in the first
15 pusher member out of the insertion tube member, thereby disposing the blood vessel graft in the blood vessel.

The insertion tube member is formed having an outer diameter of less than 4.7mm and an inner diameter of less than 4mm so that it can be easily inserted in the blood vessel, and the blood vessel stent and the first pusher
20 member can be easily inserted therein.

The first pusher member is formed having an outer diameter of less than 3.9mm and an inner diameter of less than 3.4mm so that it can be easily inserted into the insertion tube member, and the second stent member can be easily inserted therein.

25 The second pusher member is formed having an outer diameter of less than 2.9mm and an inner diameter of less than 1.6mm and is made of a hard material so as to be movable in the first pusher member and to be easily pushed toward a front end of the insertion tube member.

30 BRIEF DESCRIPTION OF THE DRAWINGS

FIG. 1 is a front view of a blood vessel graft according to the present invention;

FIG. 2 is an exploded perspective view of a graft introducer according to the present invention;

FIG. 3 is a view illustrating a using state of a blood vessel graft and a graft introducer, in which the blood vessel graft is inserted into a part of the
5 introducer;

FIG. 4 is a view illustrating a using state of a blood vessel graft and a graft introducer, in which the blood vessel graft is completely inserted into the introducer;

FIG. 5 is a view illustrating a using state of a blood vessel graft and a
10 graft introducer, in which the blood vessel graft is being expelled from the introducer; and

FIG. 6 is a detailed view of a stent member depicted in FIG. 1.

DETAILED DESCRIPTION OF THE PREFERRED EMBODIMENTS

A preferred embodiment of the present invention will be described in
15 more detail with reference to the accompany drawings.

Referring first to FIG. 1, the inventive blood vessel graft 1 of the present invention comprises a blood vessel graft main body 3 for preventing blood pressure from being applied to a weakened blood vessel, the blood vessel graft main body 3 being at least partly cylindrical and flexible;

20 a first stent member 5 connected to a first end of the blood vessel graft main body 3, the first stent member 5 being contractible to a predetermined size and self-expandable so as to support the blood vessel graft main body 3; and

a second stent member 7 connected to a second end of the blood
25 vessel graft main body 3, the second stent member 7 being contractible to a predetermined size of less than that of the first stent member 5 when it is contracted, and self-expandable to a predetermined level so as to support the blood vessel graft main body 3.

The first and second stent members 5 and 7 are identical to each
30 other, but made of wires having different diameters.

Describing in more detail, as shown in FIG. 6, the stent member 5 (or

7) comprises a plurality of reference turns 50 each having a zigzag shape with a plurality of bending points 51 that are interlocked with those of the adjacent reference turn and a plurality of straight sections 53 so as to provide a mesh-structure; and

5 an overlap member overlapped on the straight sections by being twisted along the straight sections.

The first stent member 5 is connected to the first end of the blood vessel graft main body 3 by first connecting members 9. Preferably, the first stent member 5 is formed of a wire having a predetermine diameter (i.e., 0.22
10 mm) so as to provide a predetermined expansive power.

It is further preferable that the first stent member 5 is connected to the blood vessel graft main body 3 by the first connecting members 9 such that a gap therebetween in a lengthwise direction of the graft 1 is over a predetermined length of about 3mm so as to avoid overlapping the blood
15 vessel graft main body and the first stent member 5.

The second stent member 7 is made in the same manner as that used for making the first stent member 5, and is formed of a wire having a predetermined diameter of less than 0.21mm so that the diameter when it is contracted is less than that of the first stent member 5. The second stent
20 member 7 is connected to the blood vessel graft main body 3 by second connecting members 11.

It is preferable that the second stent member 7 is connected to the blood vessel graft main body 3 by the second connecting members 11 such that a gap therebetween in a lengthwise direction of the graft 1 is over a
25 predetermined length of about 3mm so as to avoid overlapping the blood vessel graft main body and the first stent member.

In addition, the first and second stent members 5 and 7 are connected to each other by a plurality of connecting bars 12 disposed on an outer side of the blood vessel graft main body 3.

30 The connecting bars 12 are made of the same material (i.e., nitinol) as that used for the first and second stent members 5 and 7, or a different material (i.e., stainless steel) having a similar property. Each of the

connecting bars 12 is made of a plurality of wires twisted with each other more than twice. The connecting bars 12 are connected to the first and second stent members 5 and 7 by being twisted onto the same more than once.

The connecting bars 12 are provided to prevent the first stent member
5 5 from being moved toward the second stent member 7 by the blood pressure when the blood vessel graft main body 3 is expanded after the graft is disposed into the weakened blood vessel, and the blood vessel graft main body 3 is expanded.

FIGS. 2 to 5 show a graft introducer according to the present invention,
10 which is used to dispose the graft 1 in the weakened blood vessel wall.

The inventive graft introducer is preferably formed such that outer and inner diameters thereof are less than predetermined levels.

As shown in the drawings, the inventive graft introducer comprises an insertion tube member 13 in which the blood vessel graft main body 3 and the
15 first stent member 5 are inserted in a state where they are contracted; a first pusher member 15 in which the second stent member 7 is inserted in a state where it is contracted, the first pusher member 15 being movably inserted into the insertion tube member 13 to push the first stent member 5 and the blood vessel graft main body 3 out of the insertion tube member 13; and a second
20 pusher member 19 in which a catheter 17 passing through the introducer is inserted, the second pusher member 19 being movably inserted into the first pusher member 15 to push the second stent member 7 inserted in the first pusher member 15 out of the insertion tube member 13, thereby disposing the blood vessel graft 1 in the blood vessel.

25 Preferably, the insertion tube member 13 is formed having an outer diameter of less than 4.7mm and an inner diameter of less than 4mm so that it can be easily inserted in the blood vessel, and so the blood vessel graft 1 and the first pusher member 15 can be easily inserted therein.

In addition, it is preferable that the first pusher member 15 is formed
30 having an outer diameter of less than 3.9mm and an inner diameter of less than 3.4mm so that it can be easily inserted into the insertion tube member 13, and so the second stent member 7 can be easily inserted therein.

It is further preferable that the insertion tube member 13 and the first pusher member 15 are made of synthetic resins such as Teflon so that the graft 1 can be easily disposed therein.

The second pusher member 19 is formed having an outer diameter of less than 2.9mm and an inner diameter of less than 1.6mm. The second pusher member 19 is made by coiling a metal such as iron or steel, a non-ferrous metal such as aluminum, or a hard metal such as alloy steel.

In addition, a reinforcing member 21 having a predetermined length is disposed inside the second pusher member 19 to enhance the rigidity of the second pusher member 19. The reinforcing member 21 may be made of any material such as synthetic resins, a metal, and a nonmetal that can enhance the rigidity.

The guider-passing catheter 17 is designed having an outer diameter of less than 1.3 mm and an inner diameter of less than 1mm, and is provided at its front end with a tip portion 23 for guiding the guider. The tip portion 23 is designed having an outer diameter of less than 4mm.

The procedure for locating the blood vessel graft in the blood vessel using the graft introducer will be described hereinafter.

First, as shown in FIG. 1, after the guider-passing catheter 17 is inserted into the insertion tube member 5 and the first pusher member 15, the rear end of the insertion tube member 13 is disposed to oppose the front end of the first pusher member 15.

Then, as shown in FIG. 3, the second stent member 7 is inserted into the first pusher member 15 through the front end thereof in a state where it is contracted. Next, the first stent member 5 and the blood vessel graft main body 3 are inserted through the rear end of the insertion tube member 13.

In this state, the first pusher member 15 is inserted into the rear end of the insertion tube member 13 after which the first pusher member 15 is pushed toward the front end of the insertion tube member 13 or the insertion tube member 13 is pulled toward the first pusher member 15 in a state where the first pusher member 15 is fixed. As a result, the first pusher member 15 pushes the blood vessel graft main body 3 toward the front end of the

insertion tube member 13 and the first stent member 5 is located on the front end of the insertion tube member 13 as shown in FIG. 4.

As described above, in a state where the blood vessel graft 1 is disposed in the first pusher member 15 and the insertion tube member 13, the insertion tube member 13 is inserted in the weakened blood vessel of the patient using a guide member inserted in the guider-passing catheter 17.

In this state, when the first pusher member 15 is pushed up to the front end of the insertion tube member 13, the first stent member 5 and the blood vessel graft main body 3 are moved out of the insertion tube member 13, thereby disposing the first stent member 5 and the blood vessel graft main body 3 on the blood vessel 60 as shown in FIG. 5.

After the above, in a state where the first pusher member 15 is moved up to the front end of the insertion tube member 13, the second pusher member 19 is pushed forward to move the second stent member 7 out of the first pusher member 15, and so the second stent member 7 is disposed in the blood vessel. Accordingly, the blood vessel graft 1 is disposed in the blood vessel 60.

As described above, since the diameter of the introducer is minimized, the blood vessel graft can be easily disposed in the blood vessel. The graft can be supported without using a special support and can be easily inserted into or withdrawn from the blood vessel, providing convenience to the user.

WHAT IS CLAIMED IS:

1. A blood vessel graft having a front side and a rear side in a lengthwise direction, the blood vessel graft comprising:
 - a flexible blood vessel graft main body to be disposed within a blood vessel to prevent blood pressure from being applied to a weakened blood vessel, the flexible blood vessel graft main body having a front end and a rear end;
 - a first stent member having a front end and a rear end, the rear end of the first stent member being connected to the front end of the flexible blood vessel graft main body with a gap between the rear end of the first stent member and the front end of the flexible blood vessel graft main body to avoid overlapping the blood vessel graft main body and the first stent member; and
 - a second stent member having a front end and a rear end, the front end of the second stent member being connected to the rear end of the flexible blood vessel main body with a gap between the front end of the second stent member and the rear end of the flexible blood vessel main body to avoid overlapping the blood vessel graft main body and the second stent member.
2. A blood vessel graft of claim 1 wherein the first stent member has an identical structure to that of the second stent member.
3. A blood vessel graft of claim 1 wherein a diameter of the second stent member when the second stent member is contracted is smaller than that of the first stent member.
4. A blood vessel graft of claim 1 wherein each of the first and second stent members comprise a plurality of reference turns each having a unit member which has a zigzag shape, a plurality of straight sections and a plurality of bending points that are interlocked with those of an adjacent reference turn so as to provide a mesh-structure.
5. A blood vessel graft of claim 4 wherein each of the first and second stent members further comprise an overlapped member twisted along the straight sections.
6. A blood vessel graft of claim 1 wherein the second stent

member is formed of a wire having a diameter of less than that of the first stent member.

7. A blood vessel graft of claim 1 wherein the first and second stent members are connected to each other by connecting bars, each of the
5 connecting bars being formed of wires twisted with each other more than twice.

8. A blood vessel graft of claim 1 wherein the rear end of the first stent member is connected to the front end of the flexible blood vessel graft main body by a connecting member, and the gap between the rear end of the
10 first stent member and the front end of the flexible blood vessel graft main body is over a predetermined length of about 3mm.

9. A blood vessel graft of claim 1 wherein the front end of the second stent member is connected to the rear end of the flexible blood vessel main body by a connecting member, and the gap between the front end of the
15 second stent member and the rear end of the flexible blood vessel main body is over a predetermined length of about 3mm.

10. A graft introducer for disposing a blood vessel graft in a blood vessel, the blood vessel graft having a main body and first and second stents each connected to an end of the main body, the graft introducer comprising:
20 an insertion tube member into which the blood vessel graft main body and the first stent member are inserted in a state where they are contracted;
a first pusher member into which the second stent member is inserted in a state where it is contracted, the first pusher member being movably inserted into the insertion tube member to push the first stent member and the
25 blood vessel graft main body out of the insertion tube member; and
a second pusher member into which a catheter passing through the introducer is inserted, the second pusher member being movably inserted into the first pusher member to push the second stent member inserted in the first pusher member out of the insertion tube member, thereby disposing the blood
30 vessel graft in the blood vessel.

11. A graft introducer of claim 10 wherein the insertion tube member is formed having an outer diameter of less than 4.7mm and an inner

diameter of less than 4mm so that it can be easily inserted in the blood vessel, and the blood vessel stent and the first pusher member can be easily inserted therein.

12. A graft introducer of claim 10 wherein the first pusher member
5 is formed having an outer diameter of less than 3.9mm and an inner diameter of less than 3.4mm so that it can be easily inserted into the insertion tube member, and the second stent member can be easily inserted therein.

13. A graft introducer of claim 5 wherein the second pusher
10 member is formed having an outer diameter of less than 2.9mm and an inner diameter of less than 1.6mm and is made of a hard material so as to be movable in the first pusher member and to be easily pushed toward a front end of the insertion tube member.

Fig.1

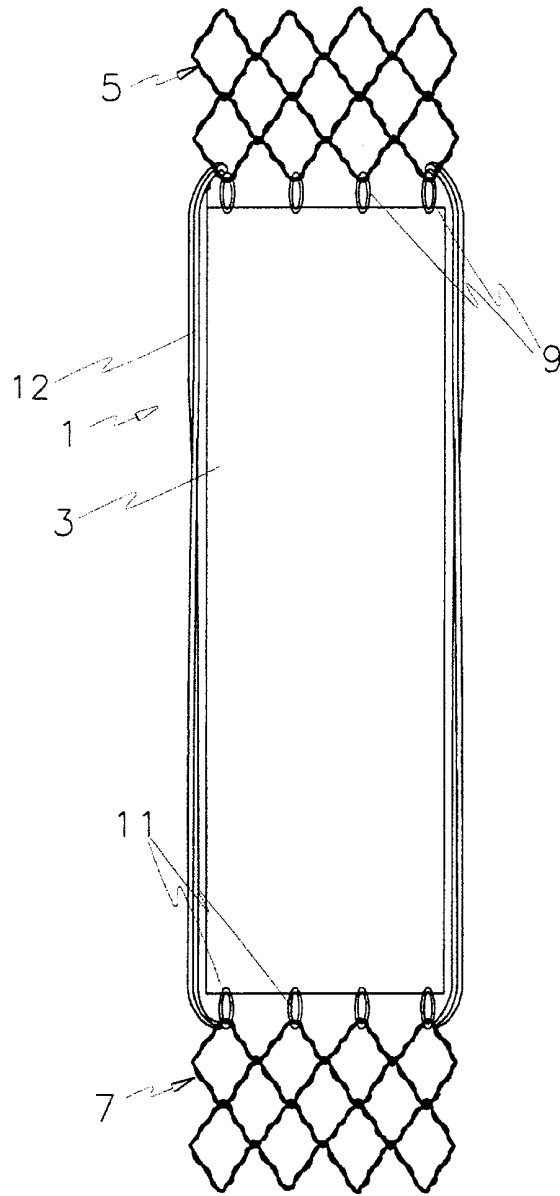


Fig.3

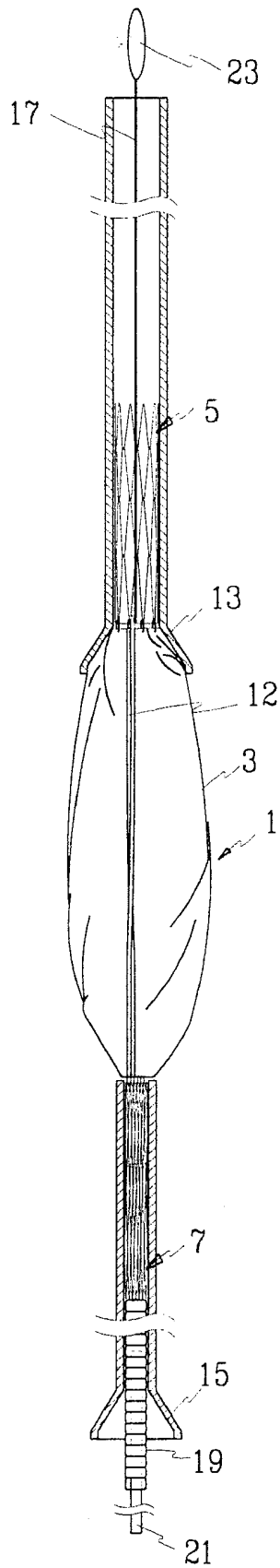


Fig.4

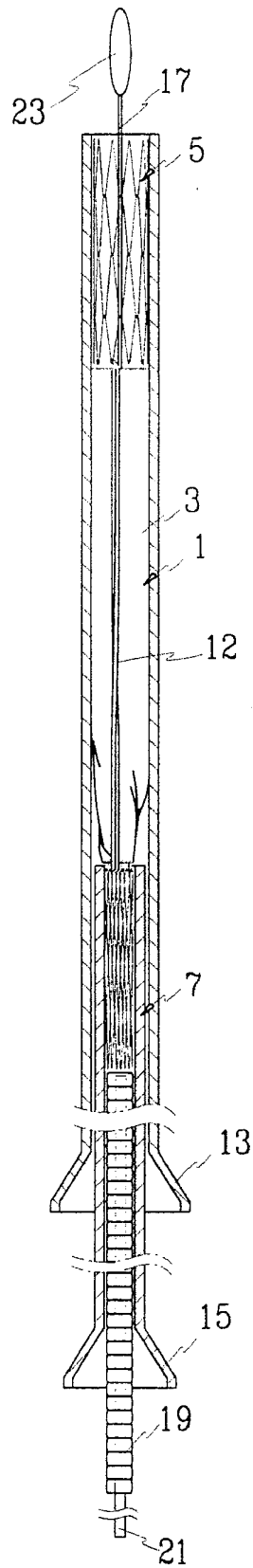


Fig.5

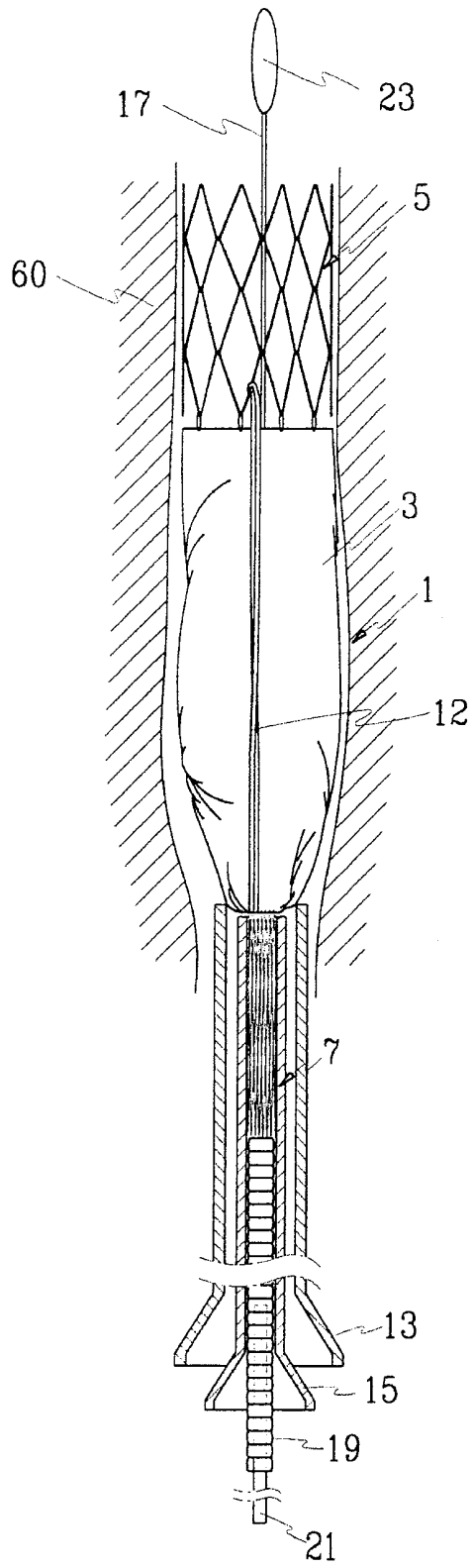
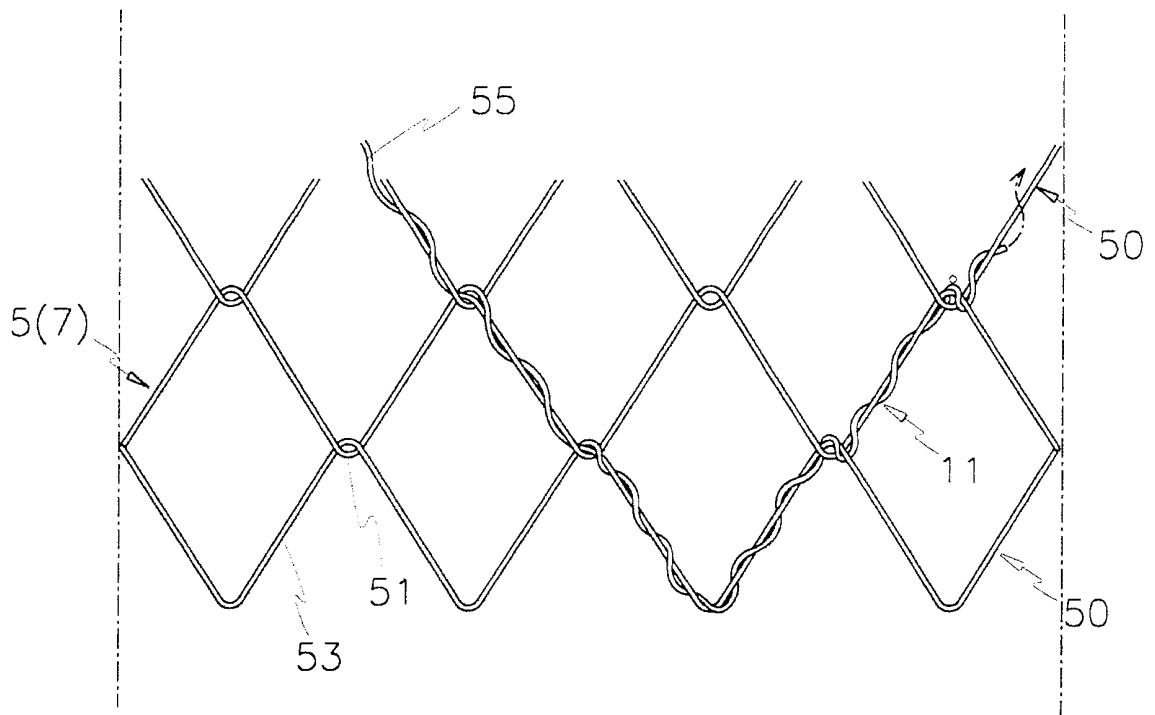


Fig.6



INTERNATIONAL SEARCH REPORT

International application No.

PCT/KR01/00179

A. CLASSIFICATION OF SUBJECT MATTER**IPC7 A61F 2/06**

According to International Patent Classification (IPC) or to both national classification and IPC

B. FIELDS SEARCHED

Minimum documentation searched (classification system followed by classification symbols)

IPC7 A61F 2/06, A61M 29/00, 29/02

Documentation searched other than minimum documentation to the extent that such documents are included in the fields searched

Electronic data base consulted during the international search (name of data base and, where practicable, search terms used)

WIPS, NPS, IPN, PAJ

C. DOCUMENTS CONSIDERED TO BE RELEVANT

Category*	Citation of document, with indication, where appropriate, of the relevant passages	Relevant to claim No.
Y	JP 10-277068 A (UBE IND LTD) 20 OCTOBER 1998 see the whole documents	1-9
Y	JP 11-042284 A (UBE IND LTD) 16 FEBRUARY 1999 see the whole documents	1-9

 Further documents are listed in the continuation of Box C. See patent family annex.

* Special categories of cited documents:

"A" document defining the general state of the art which is not considered to be of particular relevance

"E" earlier application or patent but published on or after the international filing date

"L" document which may throw doubts on priority claim(s) or which is cited to establish the publication date of citation or other special reason (as specified)

"O" document referring to an oral disclosure, use, exhibition or other means

"P" document published prior to the international filing date but later than the priority date claimed

"T" later document published after the international filing date or priority date and not in conflict with the application but cited to understand the principle or theory underlying the invention

"X" document of particular relevance; the claimed invention cannot be considered novel or cannot be considered to involve an inventive step when the document is taken alone

"Y" document of particular relevance; the claimed invention cannot be considered to involve an inventive step when the document is combined with one or more other such documents, such combination being obvious to a person skilled in the art

"&" document member of the same patent family

Date of the actual completion of the international search

30 APRIL 2001 (30.04.2001)

Date of mailing of the international search report

30 APRIL 2001 (30.04.2001)

Name and mailing address of the ISA-KR

Korean Intellectual Property Office
Government Complex-Taejon, Dunsan-dong, So-ku, Taejon
Metropolitan City 302-701, Republic of Korea

Facsimile No. 82-42-472-7140

Authorized officer

KIM, Seung Soo

Telephone No. 82-42-481-5581

