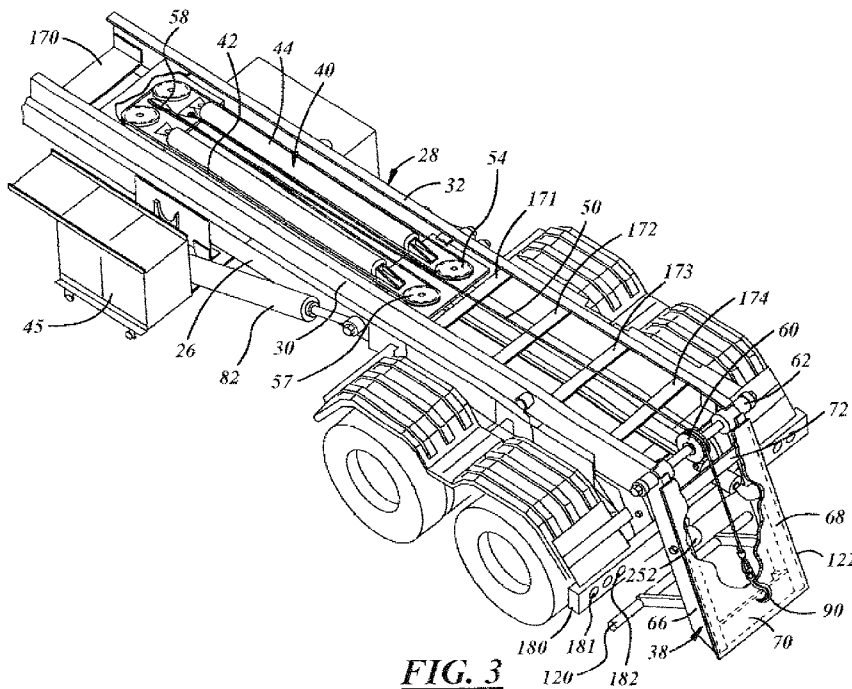




- (51) **International Patent Classification:**
B60P 1/43 (2006.01) **B60P 1/14** (2006.01)
B60P 1/16 (2006.01) **B62D 21/20** (2006.01)
- (21) **International Application Number:**
PCT/US2010/037041
- (22) **International Filing Date:**
2 June 2010 (02.06.2010)
- (25) **Filing Language:** English
- (26) **Publication Language:** English
- (30) **Priority Data:**
12/476,767 2 June 2009 (02.06.2009) US
- (71) **Applicant (for all designated States except US):** **THE HEIL CO. d/b/a ENVIRONMENTAL SOLUTIONS GROUP** [US/US]; 2303 Hamilton Place Blvd., Suite 200, Chattanooga, Tennessee 37421 (US).
- (72) **Inventors; and**
- (75) **Inventors/Applicants (for US only):** **DUELL, Charles, A.** [US/US]; 1285 Nazor Road, Crestline, OH 44827 (US). **WILLIAMS, Richard, T.** [US/US]; 3693 Woodstone Drive, Lewis Center, OH 43035 (US).
- (74) **Agents:** **ARTZ, John, A.** et al.; Dickinson Wright PLLC, Suite 2000, 38525 Woodward Avenue, Bloomfield Hills, MI 48304-5092 (US).
- (81) **Designated States (unless otherwise indicated, for every kind of national protection available):** AE, AG, AL, AM, AO, AT, AU, AZ, BA, BB, BG, BH, BR, BW, BY, BZ, CA, CH, CL, CN, CO, CR, CU, CZ, DE, DK, DM, DO, DZ, EC, EE, EG, ES, FI, GB, GD, GE, GH, GM, GT, HN, HR, HU, ID, IL, IN, IS, JP, KE, KG, KM, KN, KP, KR, KZ, LA, LC, LK, LR, LS, LT, LU, LY, MA, MD, ME, MG, MK, MN, MW, MX, MY, MZ, NA, NG, NI, NO, NZ, OM, PE, PG, PH, PL, PT, RO, RS, RU, SC, SD, SE, SG, SK, SL, SM, ST, SV, SY, TH, TJ, TM, TN, TR, TT, TZ, UA, UG, US, UZ, VC, VN, ZA, ZM, ZW.
- (84) **Designated States (unless otherwise indicated, for every kind of regional protection available):** ARIPO (BW, GH, GM, KE, LR, LS, MW, MZ, NA, SD, SL, SZ, TZ, UG, ZM, ZW), Eurasian (AM, AZ, BY, KG, KZ, MD, RU, TJ, TM), European (AL, AT, BE, BG, CH, CY, CZ, DE, DK, EE, ES, FI, FR, GB, GR, HR, HU, IE, IS, IT, LT, LU, LV, MC, MK, MT, NL, NO, PL, PT, RO, SE, SI, SK, SM, TR), OAPI (BF, BJ, CF, CG, CI, CM, GA, GN, GQ, GW, ML, MR, NE, SN, TD, TG).

[Continued on next page]

(54) **Title:** ROLL OFF HOIST WITH HINGED TAIL AND HYDRAULIC REEVING SYSTEM



(57) **Abstract:** A container handling system and method for a wheeled transport vehicle is disclosed that is capable of loading and unloading containers, particularly in locations where the overhead height is limited. A hinged tail member at the rear end of the elongated body (a/k/a tilt frame member) is rotated adjacent the ground allowing the containers to be loaded and unloaded without rotating the tilt frame to its maximum height. A cable reeving arrangement, such as a dual reeving arrangement, can be utilized to load and unload the containers.





Published:

(88) Date of publication of the international search report:

24 February 2011

- *with international search report (Art. 21(3))*
- *before the expiration of the time limit for amending the claims and to be republished in the event of receipt of amendments (Rule 48.2(h))*

INTERNATIONAL SEARCH REPORT

International application No.
PCT/US2010/037041**A. CLASSIFICATION OF SUBJECT MATTER*****B60P 1/43(2006.01)i, B60P 1/16(2006.01)i, B60P 1/14(2006.01)i, B62D 21/20(2006.01)i***

According to International Patent Classification (IPC) or to both national classification and IPC

B. FIELDS SEARCHED

Minimum documentation searched (classification system followed by classification symbols)

B60P 1/43; B62D 53/00; B60P 7/13; B60P 1/64; B60D 1/02; B60P 1/04; B60P 1/00

Documentation searched other than minimum documentation to the extent that such documents are included in the fields searched

Korean utility models and applications for utility models

Japanese utility models and applications for utility models

Electronic data base consulted during the international search (name of data base and, where practicable, search terms used)

eKOMPASS(KIPO internal) & Keywords:vehicle,container,loading,pulley,cylinder,cable

C. DOCUMENTS CONSIDERED TO BE RELEVANT

Category*	Citation of document, with indication, where appropriate, of the relevant passages	Relevant to claim No.
A	US 2006-0182580 A1 (LEWIS PETERSEN) 17 August 2006 See paragraph 13 to paragraph 50; claims 1-16	1-29
A	US 6158947 A1 (GOIRAN; THIERRY et al.) 12 December 2000 See page 4, line 25 to page 10, line 55; claims 1-15	1-29
A	JP 11-500975 A (RAVEN et al.) 26 January 1999 See page 5, line 17 to page 11, line 42; claims 1-25	1-29
A	KR 10-0718660 B1 (LOCKAMY TIMOTHY AARON et al.) 15 May 2007 See page 2, line 31 to page 7, line 5; claims 1-27	1-29

 Further documents are listed in the continuation of Box C. See patent family annex.

* Special categories of cited documents:

"A" document defining the general state of the art which is not considered to be of particular relevance

"E" earlier application or patent but published on or after the international filing date

"L" document which may throw doubts on priority claim(s) or which is cited to establish the publication date of citation or other special reason (as specified)

"O" document referring to an oral disclosure, use, exhibition or other means

"P" document published prior to the international filing date but later than the priority date claimed

"T" later document published after the international filing date or priority date and not in conflict with the application but cited to understand the principle or theory underlying the invention

"X" document of particular relevance; the claimed invention cannot be considered novel or cannot be considered to involve an inventive step when the document is taken alone

"Y" document of particular relevance; the claimed invention cannot be considered to involve an inventive step when the document is combined with one or more other such documents, such combination being obvious to a person skilled in the art

"&" document member of the same patent family

Date of the actual completion of the international search

30 DECEMBER 2010 (30.12.2010)

Date of mailing of the international search report

31 DECEMBER 2010 (31.12.2010)

Name and mailing address of the ISA/KR

Korean Intellectual Property Office
Government Complex-Daejeon, 139 Seonsa-ro, Seo-
gu, Daejeon 302-701, Republic of Korea

Facsimile No. 82-42-472-7140

Authorized officer

Lee Hoo Jin

Telephone No. 82-42-481-8557



INTERNATIONAL SEARCH REPORT

Information on patent family members

International application No.

PCT/US2010/037041

Patent document cited in search report	Publication date	Patent family member(s)	Publication date
US 2006-0182580 A1	17.08.2006	None	
US 6158947 A1	12.12.2000	US 06158947A A	12.12.2000
JP 11-500975 A	26.01.1999	AU 1996-47247 B2	25.02.1999
		AU 1998-76280 B2	17.02.2000
		EP 0809577 A1	03.12.1997
		EP 0809577 A1	07.07.1999
		EP 0809577 B1	08.11.2000
		EP 0941890 A1	15.09.1999
		GB 2298399 A	04.09.1996
		GB 2316662 A	04.03.1998
		WO 96-25302 A1	22.08.1996
		WO 97-08040 A1	06.03.1997
KR 10-0718660 B1	15.05.2007	AU 2004-223913 A1	07.10.2004
		AU 2004-223913 B2	01.11.2007
		CA 2519520 C	27.01.2009
		CA 2519520-A1	07.10.2004
		CN 1780748 A	31.05.2006
		CN 1780748 C0	26.03.2008
		EP 1610976 A2	04.01.2006
		EP 1610976 B1	29.09.2010
		JP 04-302139 B2	01.05.2009
		JP 2006-523161 A	12.10.2006
		US 2004-0191038 A1	30.09.2004
		US 2006-0104802 A1	18.05.2006
		US 2006-0245878 A1	02.11.2006
		US 2006-0245879 A1	02.11.2006
		US 7074004 B2	11.07.2006
		US 7241100 B2	10.07.2007
		US 7264437 B2	04.09.2007
		US 7270511 B2	18.09.2007
		WO 2004-085198 A2	07.10.2004
		WO 2004-085198 A3	07.10.2004