

(19) World Intellectual Property
Organization
International Bureau



(43) International Publication Date
27 May 2004 (27.05.2004)

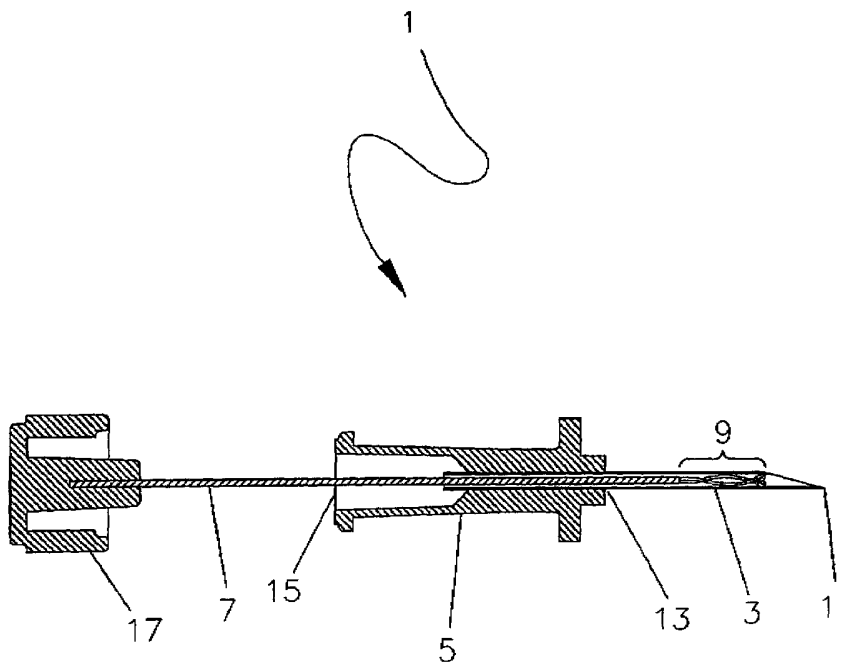
PCT

(10) International Publication Number
WO 2004/043220 A3

- (51) International Patent Classification⁷: A61B 17/00 (74) Agent: Ahn, Harry, K.; Reed Smith LLP, 599 Lexington Avenue, 29th floor, NY- New York 10022 (US).
- (21) International Application Number: PCT/US2003/033391 (81) Designated States (national): AE, AG, AL, AM, AT, AU, AZ, BA, BB, BG, BR, BY, BZ, CA, CH, CN, CO, CR, CU, CZ, DE, DK, DM, DZ, EC, EE, ES, FI, GB, GD, GE, GH, GM, HR, HU, ID, IL, IN, IS, JP, KE, KG, KP, KR, KZ, LC, LK, LR, LS, LT, LU, LV, MA, MD, MG, MK, MN, MW, MX, MZ, NO, NZ, OM, PH, PL, PT, RO, RU, SD, SE, SG, SK, SL, TJ, TM, TN, TR, TT, TZ, UA, UG, UZ, VN, YU, ZA, ZM, ZW.
- (22) International Filing Date: 21 October 2003 (21.10.2003)
- (25) Filing Language: English
- (26) Publication Language: English
- (30) Priority Data:
60/424,528 6 November 2002 (06.11.2002) US
60/470,077 13 May 2003 (13.05.2003) US
10/458,783 10 June 2003 (10.06.2003) US
- (84) Designated States (regional): ARIPO patent (GH, GM, KE, LS, MW, MZ, SD, SL, SZ, TZ, UG, ZM, ZW), Eurasian patent (AM, AZ, BY, KG, KZ, MD, RU, TJ, TM), European patent (AT, BE, BG, CH, CY, CZ, DE, DK, EE, ES, FI, FR, GB, GR, HU, IE, IT, LU, MC, NL, PT, RO, SE, SI, SK, TR), OAPI patent (BF, BJ, CF, CG, CI, CM, GA, GN, GQ, GW, ML, MR, NE, SN, TD, TG).
- (71) Applicant: ANGIODYNAMICS, INC. [US/US]; 603 Queensbury Avenue, Queensbury, NY 12804 (US).
- (72) Inventors: APPLING, William; 8291 State Route 40, Granville, NY 12832 (US). SCHUR, Israel; 76,Dwight Place, Englewood, New Jersey 07631 (US).
- Published:
— with international search report

[Continued on next page]

(54) Title: DEVICE AND METHOD FOR WITHDRAWING A TUBULAR BODY PART



(57) Abstract: A device for withdrawing a tubular body part such as a varicose vein is provided. A needle is inserted through a skin. The needle contains therein an engaging element in an undeployed state. After the needle is inserted, the engaging element is pushed out of the needle and is typically deployed inside the vein. The vein is now ready to be withdrawn by the deployed engaging element. Using a puncture device that also contains a deployable engaging element allows the puncture site to be small and causes less trauma to the surrounding tissue.

WO 2004/043220 A3



— *before the expiration of the time limit for amending the claims and to be republished in the event of receipt of amendments*

For two-letter codes and other abbreviations, refer to the "Guidance Notes on Codes and Abbreviations" appearing at the beginning of each regular issue of the PCT Gazette.

(88) Date of publication of the international search report:
20 January 2005

INTERNATIONAL SEARCH REPORT

International application No. PCT/US03/33391

A. CLASSIFICATION OF SUBJECT MATTER
 IPC(7) : A61B 17/00
 US CL : 606/139
 According to International Patent Classification (IPC) or to both national classification and IPC

B. FIELDS SEARCHED
 Minimum documentation searched (classification system followed by classification symbols)
 U.S. : 606/139

Documentation searched other than minimum documentation to the extent that such documents are included in the fields searched

Electronic data base consulted during the international search (name of data base and, where practicable, search terms used)

C. DOCUMENTS CONSIDERED TO BE RELEVANT

Category *	Citation of document, with indication, where appropriate, of the relevant passages	Relevant to claim No.
X	US 5,928,250 A (KOIKE et al) 27 July 1999 (27.07.1999), See figures 1-11.	1-45

Further documents are listed in the continuation of Box C. See patent family annex.

* Special categories of cited documents:	"T" later document published after the international filing date or priority date and not in conflict with the application but cited to understand the principle or theory underlying the invention
"A" document defining the general state of the art which is not considered to be of particular relevance	"X" document of particular relevance; the claimed invention cannot be considered novel or cannot be considered to involve an inventive step when the document is taken alone
"E" earlier application or patent published on or after the international filing date	"Y" document of particular relevance; the claimed invention cannot be considered to involve an inventive step when the document is combined with one or more other such documents, such combination being obvious to a person skilled in the art
"L" document which may throw doubts on priority claim(s) or which is cited to establish the publication date of another citation or other special reason (as specified)	"&" document member of the same patent family
"O" document referring to an oral disclosure, use, exhibition or other means	
"P" document published prior to the international filing date but later than the priority date claimed	

Date of the actual completion of the international search 27 October 2004 (27.10.2004)	Date of mailing of the international search report 24 NOV 2004
---	--

Name and mailing address of the ISA/US Mail Stop PCT, Attn: ISA/US Commissioner for Patents P.O. Box 1450 Alexandria, Virginia 22313-1450 Facsimile No. (703) 305-3230	Authorized officer <i>Kevin T. Truong</i> Kevin T. Truong Telephone No. 703-308-0858 <i>Sheila H. Ventry</i> Paralegal Specialist Tech. Center 3700
---	---