



US00D587124S

(12) **United States Design Patent**
Bourne

(10) **Patent No.:** **US D587,124 S**

(45) **Date of Patent:** **** Feb. 24, 2009**

(54) **CONTAINER**

(75) Inventor: **Damien Bourne**, Le Havre Cedex (FR)

(73) Assignee: **Sidel Participations**, Octeville sur Mer (FR)

(**) Term: **14 Years**

(21) Appl. No.: **29/290,961**

(22) Filed: **Feb. 4, 2008**

(30) **Foreign Application Priority Data**

Oct. 29, 2007 (EM) 816 772

(51) **LOC (9) Cl.** **09-01**

(52) **U.S. Cl.** **D9/539; D9/551; D9/557**

(58) **Field of Classification Search** D9/500,
D9/502, 516, 529-530, 537, 540, 543, 549,
D9/551, 557-558, 560, 564-570, 574-575,
D9/454; D24/197; 215/381-384; D7/510
See application file for complete search history.

(56) **References Cited**

U.S. PATENT DOCUMENTS

- D92,098 S * 4/1934 Little D9/502
- D157,488 S * 2/1950 Graf D9/502
- D167,914 S * 10/1952 Taranton D24/197
- D219,098 S * 11/1970 Hills D9/502
- D222,961 S * 2/1972 Edwards D9/502
- D237,853 S * 12/1975 Katz D9/500 X
- D277,363 S * 1/1985 Drummond et al. D9/543 X

- D314,136 S * 1/1991 Malvoisin D9/502
- D315,409 S * 3/1991 Baarber D24/197
- D347,066 S * 5/1994 Malcolm et al. D24/197
- D410,821 S * 6/1999 Huang D7/608
- D412,085 S * 7/1999 Roush et al. D7/396.2
- 6,722,514 B2 * 4/2004 Renz 215/384
- D506,931 S * 7/2005 Delmotte D9/538
- D524,159 S * 7/2006 Mooney D9/516
- D548,083 S * 8/2007 Bourne D9/502
- D567,665 S * 4/2008 Cheng D9/551 X

* cited by examiner

Primary Examiner—Carol Rademaker

(74) *Attorney, Agent, or Firm*—McKenna Long & Aldridge LLP

(57) **CLAIM**

The ornamental design for a container, as shown and described.

DESCRIPTION

FIG. 1 is a front elevational view of the container of the present invention;

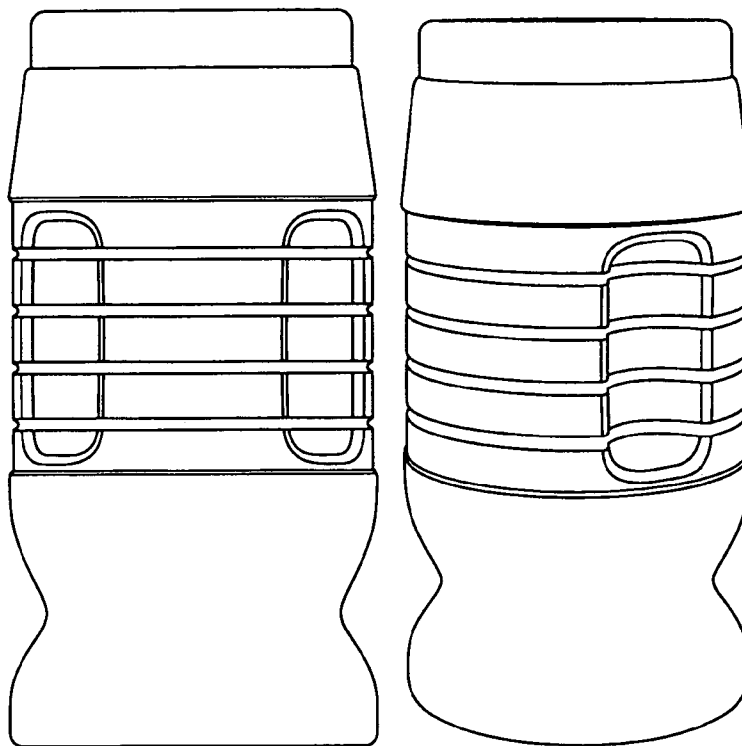
FIG. 2 is a left side elevational view thereof;

FIG. 3 is a, top, rear, left side perspective view thereof; and,

FIG. 4 is a top plan view thereof.

The broken line shown in the FIG. 4 drawing view is included for the purpose of defining the top boundary of the claim, the area within this circular boundary line now shown as environmental structure that forms no part of the claimed design.

1 Claim, 1 Drawing Sheet



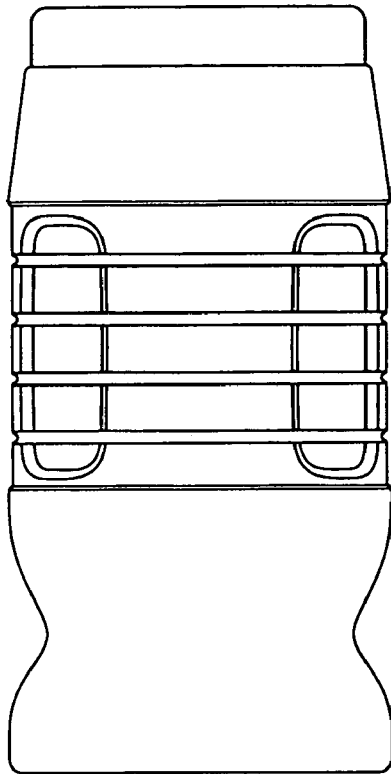


FIG. 1

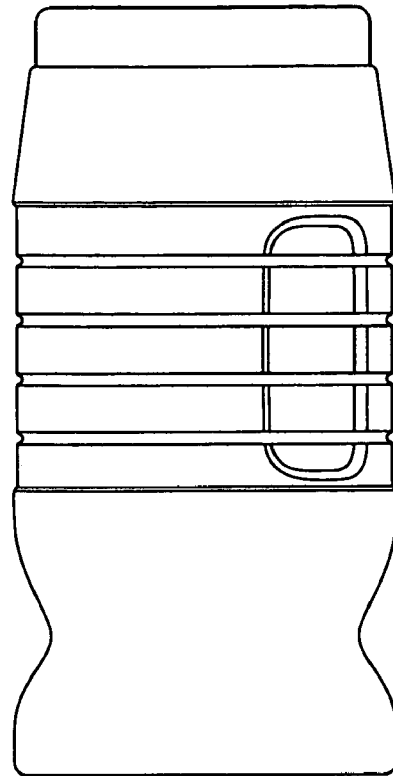


FIG. 2

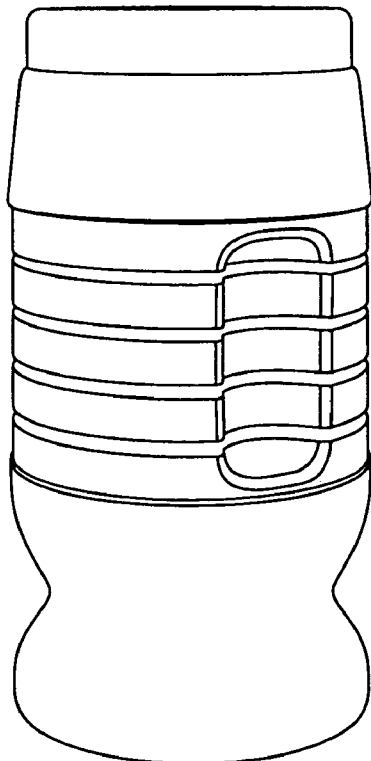


FIG. 3

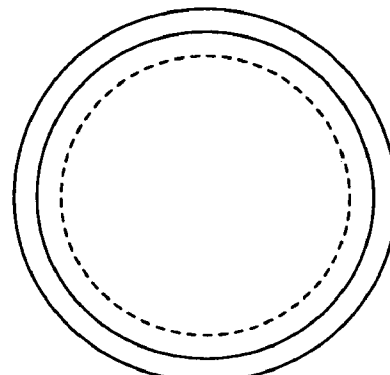


FIG. 4