

(19) World Intellectual Property Organization
International Bureau



(43) International Publication Date
15 March 2007 (15.03.2007)

PCT

(10) International Publication Number
WO 2007/030598 A3

- (51) International Patent Classification:
A61M 1/00 (2006.01)
- (21) International Application Number:
PCT/US2006/034824
- (22) International Filing Date:
6 September 2006 (06.09.2006)
- (25) Filing Language: English
- (26) Publication Language: English
- (30) Priority Data:
60/714,805 7 September 2005 (07.09.2005) US
- (71) Applicant (for all designated States except US): **TYCO HEALTHCARE GROUP LP** [US/US]; 15 Hampshire Street, Mansfield, MA 02048 (US).
- (72) Inventors; and
- (75) Inventors/Applicants (for US only): **HAGGSTROM,**

Kurt [US/US]; 21551 Brookhurst Street, Apt. 130, Huntington Beach, CA 92646 (US). **FINK, David** [US/US]; 10 Cranberry Drive, Franklin, MA 02038 (US). **GRUNDMEIR, Ratja** [US/GB]; 49 Weltje Road, London XX W69LS (GB).

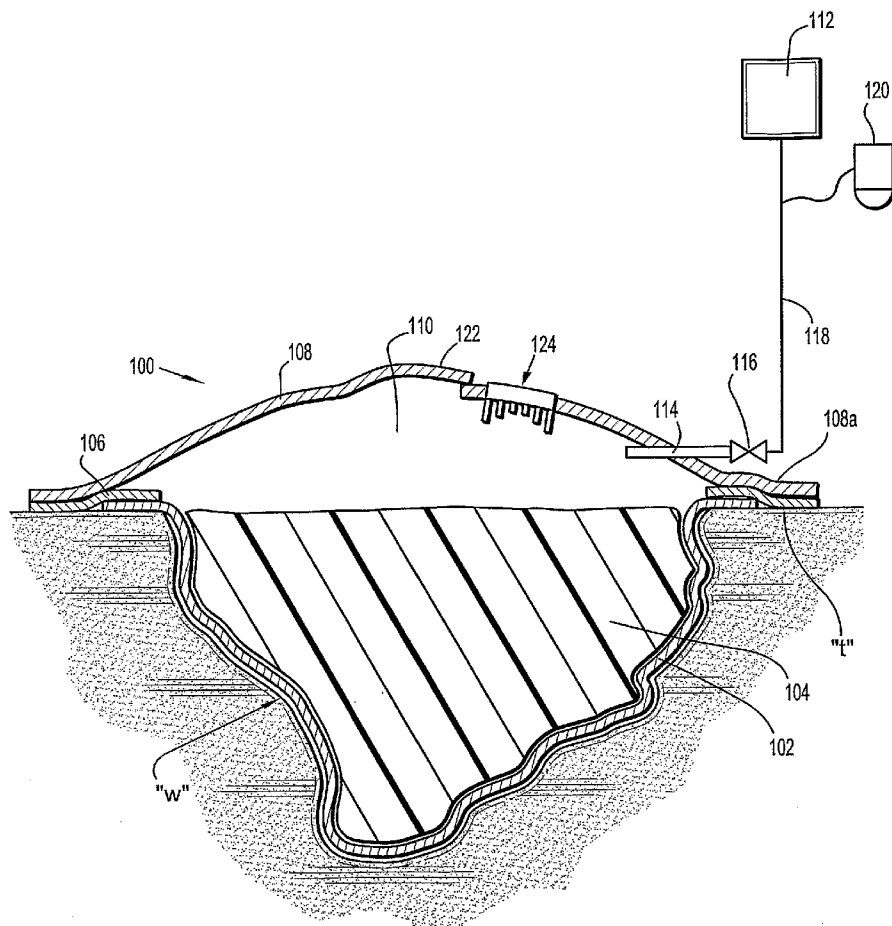
(74) Agent: **Schmidt, Joseph W. Esq.**; Carter DeLuca Farrell & Schmidt LLP, 445 Broad Hollow Road Suite 225, Melville NY 11747 (US).

(81) Designated States (unless otherwise indicated, for every kind of national protection available): AE, AG, AL, AM, AT, AU, AZ, BA, BB, BG, BR, BW, BY, BZ, CA, CH, CN, CO, CR, CU, CZ, DE, DK, DM, DZ, EC, EE, EG, ES, FI, GB, GD, GE, GH, GM, HN, HR, HU, ID, IL, IN, IS, JP, KE, KG, KM, KN, KP, KR, KZ, LA, LC, LK, LR, LS, LT, LU, LV, LY, MA, MD, MG, MK, MN, MW, MX, MY, MZ, NA, NG, NI, NO, NZ, OM, PG, PH, PL, PT, RO, RS, RU, SC, SD, SE, SG, SK, SL, SM, SV, SY, TJ, TM, TN, TR, TT, TZ, UA, UG, US, UZ, VC, VN, ZA, ZM, ZW.

(84) Designated States (unless otherwise indicated, for every kind of regional protection available): ARIPO (BW, GH,

[Continued on next page]

(54) Title: WOUND DRESSING WITH VACUUM RESERVOIR



(57) Abstract: A wound dressing apparatus for facilitating fluid removal from a wound bed is provided. The apparatus includes an internal vacuum reservoir, a wound dressing member including a lower absorbent member positionable adjacent the wound bed and an upper member for at least partially defining the internal vacuum reservoir, and a port for supplying subatmospheric pressure to the reservoir. The wound dressing member includes a visual pressure indicator which includes color indica for indicating a pressure condition in the reservoir, a circuit means, a visible alarm means, and preferably an electronic position sensor. The circuit means is adapted to actuate the visible alarm means when the position sensor detects a relative positioning of the upper member of the wound dressing to provide a visual indication of the subatmospheric pressure in the vacuum reservoir.

WO 2007/030598 A3



GM, KE, LS, MW, MZ, NA, SD, SL, SZ, TZ, UG, ZM, ZW), Eurasian (AM, AZ, BY, KG, KZ, MD, RU, TJ, TM), European (AT, BE, BG, CH, CY, CZ, DE, DK, EE, ES, FI, FR, GB, GR, HU, IE, IS, IT, LT, LU, LV, MC, NL, PL, PT, RO, SE, SI, SK, TR), OAPI (BF, BJ, CF, CG, CI, CM, GA, GN, GQ, GW, ML, MR, NE, SN, TD, TG).

Published:

— *with international search report*

(88) Date of publication of the international search report:
7 June 2007

For two-letter codes and other abbreviations, refer to the "Guidance Notes on Codes and Abbreviations" appearing at the beginning of each regular issue of the PCT Gazette.

INTERNATIONAL SEARCH REPORT

International application No.

PCT/US 06/34824

A. CLASSIFICATION OF SUBJECT MATTER IPC(8) - A61M 1/00 (2007.01) USPC - 604/313 According to International Patent Classification (IPC) or to both national classification and IPC		
B. FIELDS SEARCHED Minimum documentation searched (classification system followed by classification symbols) USPC - 604/313 Documentation searched other than minimum documentation to the extent that such documents are included in the fields searched USPC - 602/41-43, 58; 604/313, 317 Electronic data base consulted during the international search (name of data base and, where practicable, search terms used) PGPB,USPT,USOC,EPAB,JPAB, PubMed - vacuum therapy, vacuum, exudate, pressure, sensor, window, graphical user interface		
C. DOCUMENTS CONSIDERED TO BE RELEVANT		
Category*	Citation of document, with indication, where appropriate, of the relevant passages	Relevant to claim No.
X ----- Y Y A A A	US 6,458,109 B1 (HENLEY et al.) 01 October 2002 (01.10.2002) entire document, esp SUMmary; col 5 lines 10-22; col 8 lines 1-11; col 9 lines 27-40; col 10 lines 44-67; col 11 lines 11-19) US 4,710,165 A (McNEIL et al) 01 December 1987 (01.12.1987) US 2005/0148913 A1 (WESTON) 07 July 2005 (07.07.2005) entire document, esp. para 004; 0038-0041; 0044; 0046, 0051; 0061para 0012 WO 03/018098 A2 (KCI LICENSINGI) 06 March 2003 (06.03.2003) entire document esp Summary, p. 6 US 6,648,862 B2 (WATSON) 18 November 2003 (18.11.2003) Summary	1-14, 16 ----- 15, 17-19 15, 17-19 1-19 10-19 10-19
<input type="checkbox"/> Further documents are listed in the continuation of Box C. <input type="checkbox"/>		
* Special categories of cited documents: "A" document defining the general state of the art which is not considered to be of particular relevance "E" earlier application or patent but published on or after the international filing date "L" document which may throw doubts on priority claim(s) or which is cited to establish the publication date of another citation or other special reason (as specified) "O" document referring to an oral disclosure, use, exhibition or other means "P" document published prior to the international filing date but later than the priority date claimed		"T" later document published after the international filing date or priority date and not in conflict with the application but cited to understand the principle or theory underlying the invention "X" document of particular relevance: the claimed invention cannot be considered novel or cannot be considered to involve an inventive step when the document is taken alone "Y" document of particular relevance: the claimed invention cannot be considered to involve an inventive step when the document is combined with one or more other such documents, such combination being obvious to a person skilled in the art "&" document member of the same patent family
Date of the actual completion of the international search 17 Feb. 2007 (17.02.2007)	Date of mailing of the international search report 20 MAR 2007	
Name and mailing address of the ISA/US Mail Stop PCT, Attn: ISA/US, Commissioner for Patents P.O. Box 1450, Alexandria, Virginia 22313-1450 Facsimile No. 571-273-3201	Authorized officer: Lee W. Young PCT Helpdesk: 571-272-4300 PCT OSP: 571-272-7774	