



US00D486608S

(12) **United States Design Patent**
Cofield

(10) **Patent No.:** **US D486,608 S**

(45) **Date of Patent:** **** Feb. 10, 2004**

(54) **CASE FOR GRANULAR DEODORANT,
DESICCANT AND THE LIKE**

D404,532 S * 1/1999 Castagna D28/77
D452,939 S * 1/2002 Lai D28/77

(76) Inventor: **Gregory W. Cofield**, 1930 Manor Pl.,
#3, Fairfield, CA (US) 94533

* cited by examiner

(**) Term: **14 Years**

Primary Examiner—Jennifer Rivard

(21) Appl. No.: **29/178,107**

(57) **CLAIM**

(22) Filed: **Mar. 20, 2003**

The ornamental design for a case for granular deodorant,
desiccant and the like, as shown and described.

(51) **LOC (7) Cl.** **28-03**

(52) **U.S. Cl.** **D28/83**

(58) **Field of Search** D28/76-79, 81-83;
132/293-307, 314-316; 206/581, 823; D3/205,
206

DESCRIPTION

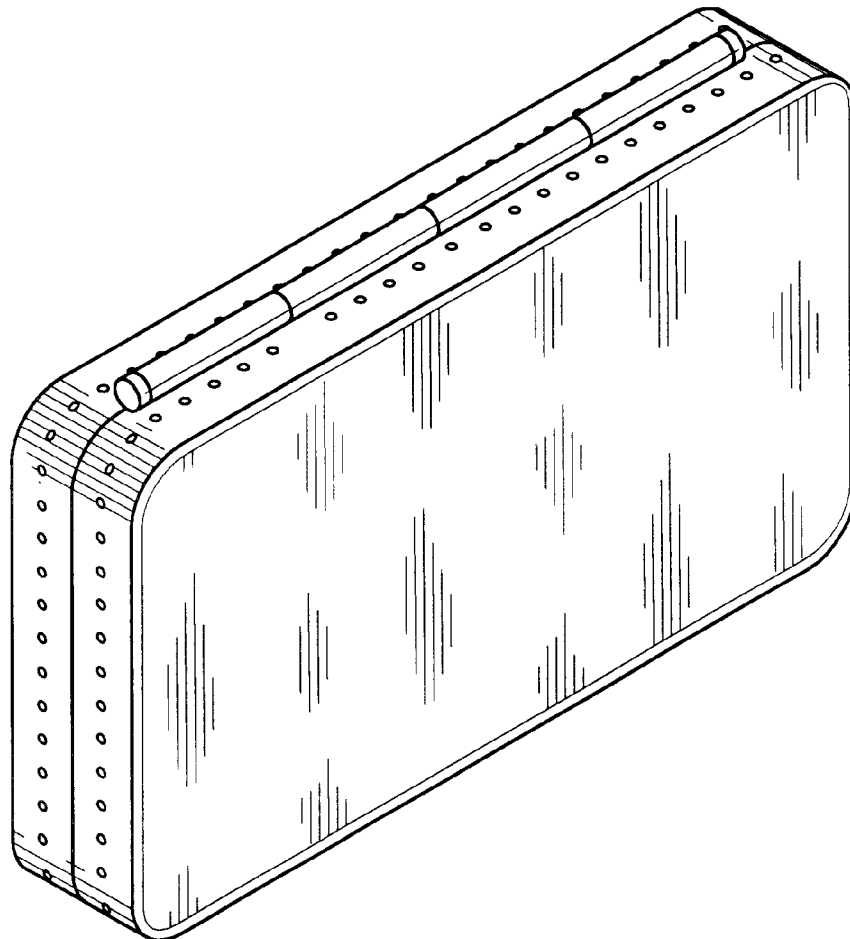
FIG. 1 is a front elevational view of a case for granular
deodorant, desiccant and the like showing our new design;
FIG. 2 is a rear elevational view thereof;
FIG. 3 is a side view, taken from the left side of FIG. 1, the
right side view being a mirror image thereof;
FIG. 4 is a top plan view thereof;
FIG. 5 is a bottom plan view thereof; and,
FIG. 6 is a perspective view thereof.

(56) **References Cited**

U.S. PATENT DOCUMENTS

D340,353 S * 10/1993 Benarrouch D28/83
D352,601 S * 11/1994 Dallaire D28/78
D373,221 S * 8/1996 Lai D28/83

1 Claim, 3 Drawing Sheets



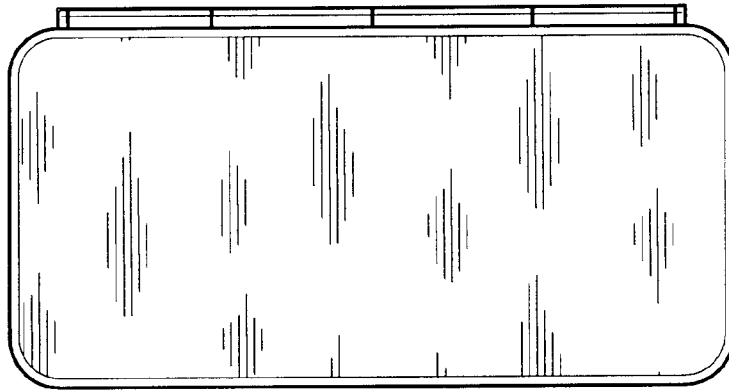


FIG. 1

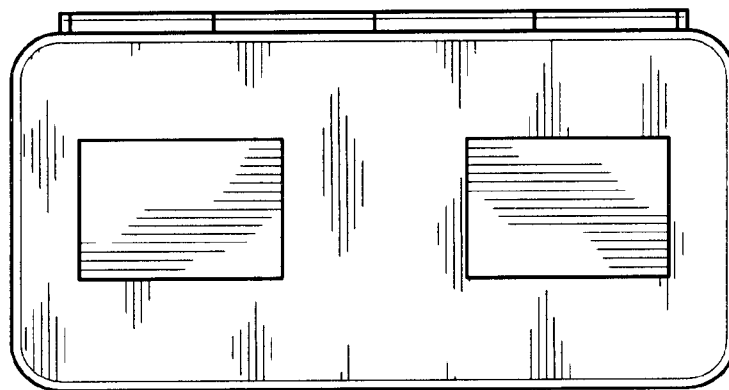


FIG. 2

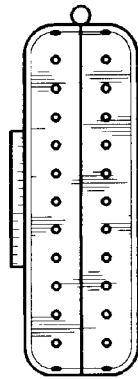


FIG. 3

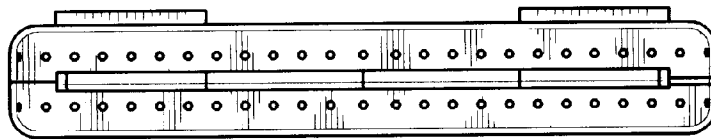


FIG. 4

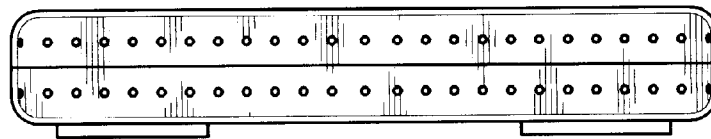


FIG. 5

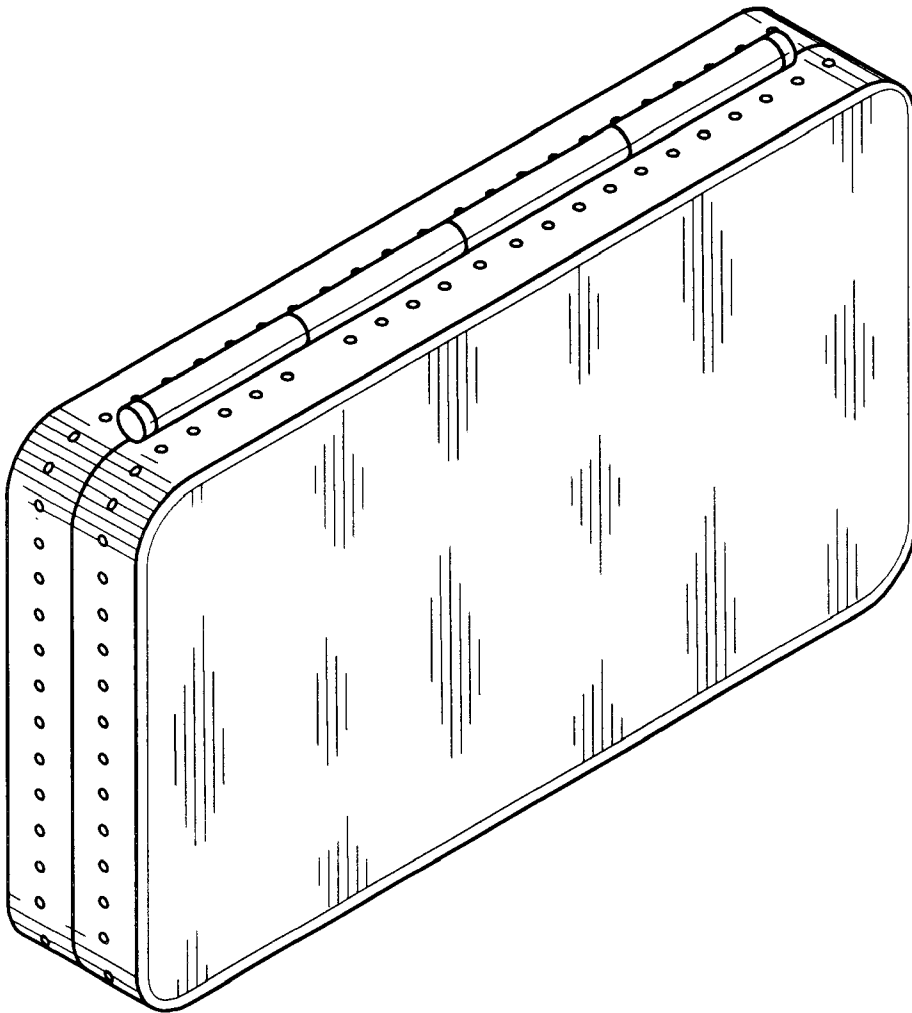


FIG.6