

(12) INTERNATIONAL APPLICATION PUBLISHED UNDER THE PATENT COOPERATION TREATY (PCT)

(19) World Intellectual Property Organization
International Bureau



(43) International Publication Date
5 December 2002 (05.12.2002)

PCT

(10) International Publication Number
WO 02/096480 A3

(51) International Patent Classification⁷: **A61B 5/00**

(21) International Application Number: PCT/US02/15552

(22) International Filing Date: 16 May 2002 (16.05.2002)

(25) Filing Language: English

(26) Publication Language: English

(30) Priority Data:
09/865,372 25 May 2001 (25.05.2001) US

(71) Applicant and

(72) Inventor: **SANGHA, Jangbir** [US/US]; 12405 Russell,
Overland Park, KS 66209 (US).

(74) Agent: **STITT, Richard, P.**; Spencer Fane Britt & Browne
LLP, Suite 1400, 1000 Walnut Street, Kansas City, MO
64106-2140 (US).

(81) Designated States (national): AE, AG, AL, AM, AT, AU,
AZ, BA, BB, BG, BR, BY, BZ, CA, CH, CN, CO, CR, CU,

CZ, DE, DK, DM, DZ, EC, EE, ES, FI, GB, GD, GE, GH,
GM, HR, HU, ID, IL, IN, IS, JP, KE, KG, KP, KR, KZ, LC,
LK, LR, LS, LT, LU, LV, MA, MD, MG, MK, MN, MW,
MX, MZ, NO, NZ, PL, PT, RO, RU, SD, SE, SG, SI, SK,
SL, TJ, TM, TR, TT, TZ, UA, UG, US, UZ, VN, YU, ZA,
ZW.

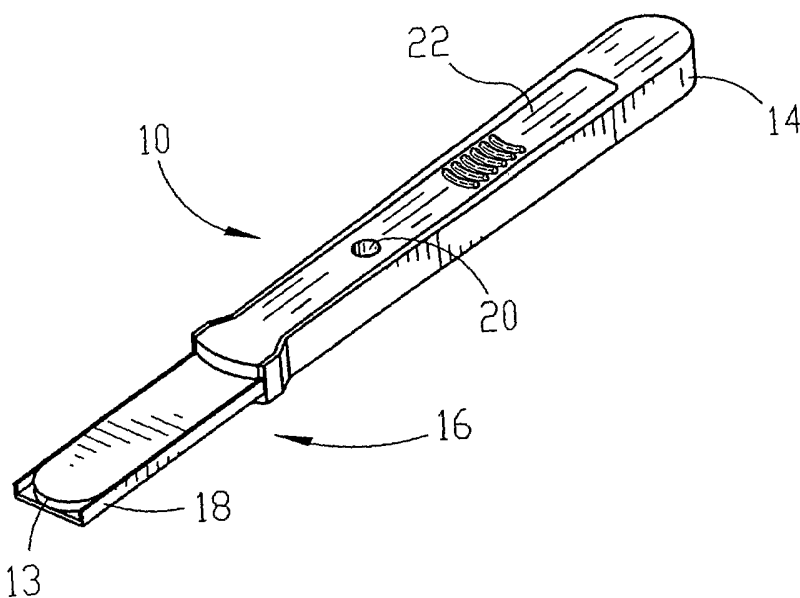
(84) Designated States (regional): ARIPO patent (GH, GM,
KE, LS, MW, MZ, SD, SL, SZ, TZ, UG, ZM, ZW),
Eurasian patent (AM, AZ, BY, KG, KZ, MD, RU, TJ, TM),
European patent (AT, BE, CH, CY, DE, DK, ES, FI, FR,
GB, GR, IE, IT, LU, MC, NL, PT, SE, TR), OAPI patent
(BF, BJ, CF, CG, CI, CM, GA, GN, GQ, GW, ML, MR,
NE, SN, TD, TG).

Published:
— with international search report

(88) Date of publication of the international search report:
27 March 2003

For two-letter codes and other abbreviations, refer to the "Guidance Notes on Codes and Abbreviations" appearing at the beginning of each regular issue of the PCT Gazette.

(54) Title: ORAL FLUID COLLECTION DEVICE AND COLLECTION METHOD



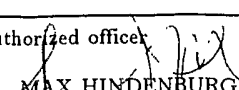
(57) Abstract: An apparatus is provided for oral fluid collection from the mouth of a patient. The apparatus includes a handle (14), absorbent (12), shield (16), window or void (20), tail piece (30) and separator shaft (22). A method of collection of saliva is also provided.



WO 02/096480 A3

INTERNATIONAL SEARCH REPORT

International application No
PCT/US02/15552

A. CLASSIFICATION OF SUBJECT MATTER IPC(7) :A61B 5/00 US CL : 600/582 According to International Patent Classification (IPC) or to both national classification and IPC		
B. FIELDS SEARCHED Minimum documentation searched (classification system followed by classification symbols) U.S. : 600/575, 582, 584 Documentation searched other than minimum documentation to the extent that such documents are included in the fields searched NONE Electronic data base consulted during the international search (name of data base and, where practicable, search terms used) WEST		
C. DOCUMENTS CONSIDERED TO BE RELEVANT		
Category*	Citation of document, with indication, where appropriate, of the relevant passages	Relevant to claim No.
A	US 5,609,160 A (Bahl et al.) 11 March 1997	1-44
A	US 6,102,872 A (Doneen et al.) 15 August 2000	1-44
A	US 5,376,337 A (Seymour) 27 December 1994	1-44
A, P	US 6,241,689 B1 (Chard et al.) 05 June 2001	1-44
<input type="checkbox"/> Further documents are listed in the continuation of Box C. <input type="checkbox"/> See patent family annex.		
* Special categories of cited documents: "A" document defining the general state of the art which is not considered to be of particular relevance "E" earlier document published on or after the international filing date "L" document which may throw doubts on priority claim(s) or which is cited to establish the publication date of another citation or other special reason (as specified) "O" document referring to an oral disclosure, use, exhibition or other means "P" document published prior to the international filing date but later than the priority date claimed "T" later document published after the international filing date or priority date and not in conflict with the application but cited to understand the principle or theory underlying the invention "X" document of particular relevance; the claimed invention cannot be considered novel or cannot be considered to involve an inventive step when the document is taken alone "Y" document of particular relevance; the claimed invention cannot be considered to involve an inventive step when the document is combined with one or more other such documents, such combination being obvious to a person skilled in the art "&" document member of the same patent family		
Date of the actual completion of the international search 28 JUNE 2002		Date of mailing of the international search report 01 NOV 2002
Name and mailing address of the ISA/US Commissioner of Patents and Trademarks Box PCT Washington, D.C. 20231 Facsimile No. (703) 305-3230		Authorized officer  MAX HINDENBURG Telephone No. (703)-308-0858