



US00D780552S

(12) **United States Design Patent**  
**Zimmer**

(10) **Patent No.:** **US D780,552 S**

(45) **Date of Patent:** **\*\* Mar. 7, 2017**

- (54) **CABINET HANDLE**
- (71) Applicant: **Top Knobs USA, Inc.**, Hillsborough, NJ (US)
- (72) Inventor: **Christine Zimmer**, Hillsborough, NJ (US)
- (73) Assignee: **TOP KNOBS USA, INC.**, Hillsborough, NJ (US)
- (\*\*) Term: **15 Years**
- (21) Appl. No.: **29/546,908**
- (22) Filed: **Nov. 27, 2015**
- (51) **LOC (10) Cl.** ..... **08-06**
- (52) **U.S. Cl.**  
USPC ..... **D8/316**
- (58) **Field of Classification Search**  
USPC ..... D8/300, 315-320, 349, 350, DIG. 1; D23/250, 254; D6/549, 546; 16/110.1, 16/412-415, 422, 425, DIG. 10  
CPC ..... Y10T 16/00; Y10T 16/44; Y10T 16/455; Y10T 16/458; Y10T 16/463; Y10T 16/4707; Y10T 16/498  
See application file for complete search history.

6,003,202 A *	12/1999	Dauterive	.....	A47B 95/02
				16/419
D469,329 S *	1/2003	Martin	.....	D8/301
6,546,597 B2 *	4/2003	Atalla	.....	E05B 1/0015
				16/412
D598,269 S *	8/2009	Hanes	.....	D8/317
D611,323 S *	3/2010	Koskela	.....	D8/305
D679,985 S *	4/2013	Ramsland	.....	D8/317
D680,413 S *	4/2013	Ramsland	.....	D8/316
D719,008 S *	12/2014	Han	.....	D8/315
D729,035 S *	5/2015	Zimmer	.....	D8/316
D737,654 S *	9/2015	Han	.....	D8/316
D763,655 S *	8/2016	Zimmer	.....	D8/316

\* cited by examiner

*Primary Examiner* — Prabhakar Deshmukh  
(74) *Attorney, Agent, or Firm* — Schultz & Associates, P.C.

(57) **CLAIM**

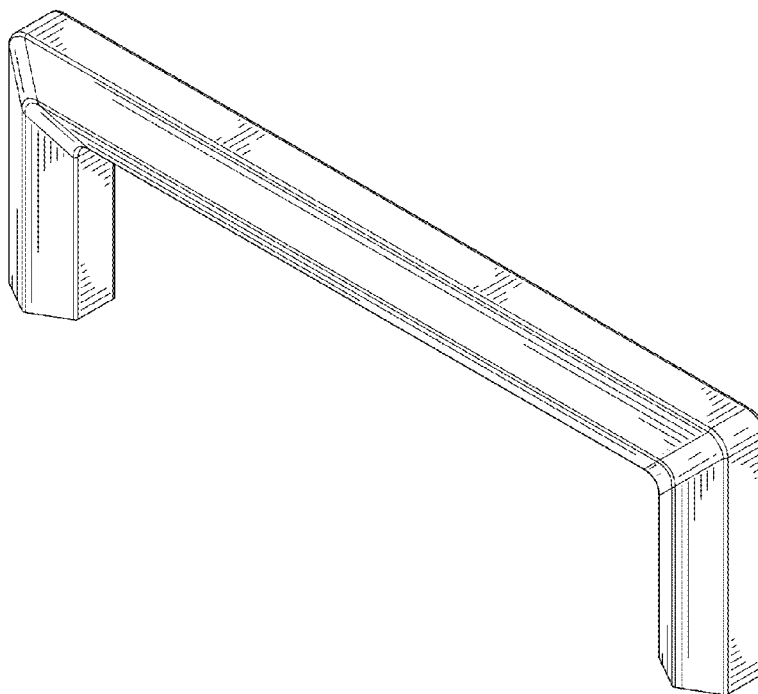
The ornamental design for a cabinet handle, as shown and described.

**DESCRIPTION**

FIG. 1 is a perspective view of a cabinet handle showing our new design;  
FIG. 2 is a front elevational view thereof;  
FIG. 3 is a left side elevational view thereof;  
FIG. 4 is a top plan view thereof; and,  
FIG. 5 is a bottom plan view thereof.  
The broken lines shown represent unclaimed portions and form no part of the claimed design.

**1 Claim, 2 Drawing Sheets**

- (56) **References Cited**  
U.S. PATENT DOCUMENTS  
5,295,595 A \* 3/1994 Gobidas ..... A47H 1/18  
160/330  
5,465,438 A \* 11/1995 Allman ..... A61G 12/00  
4/516



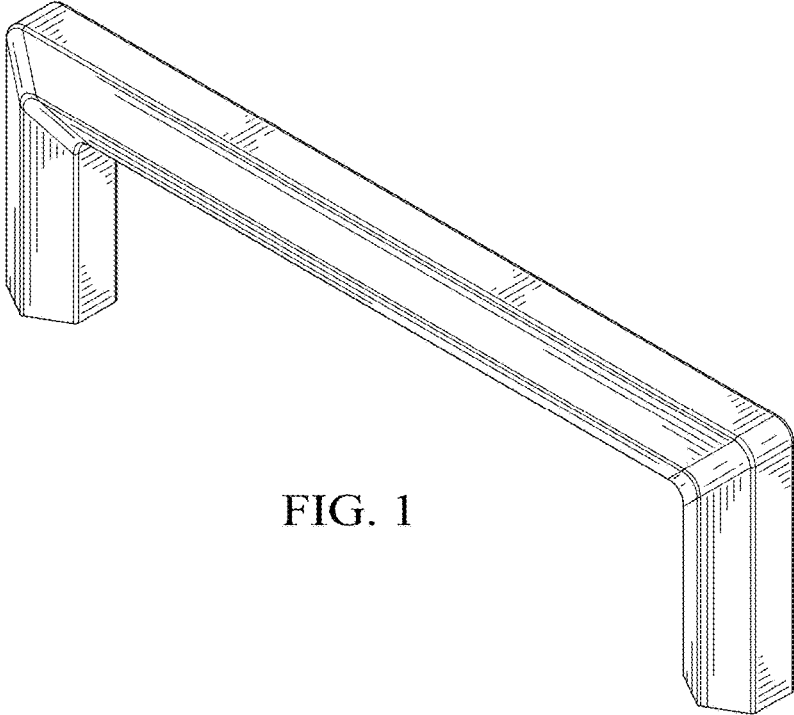


FIG. 1

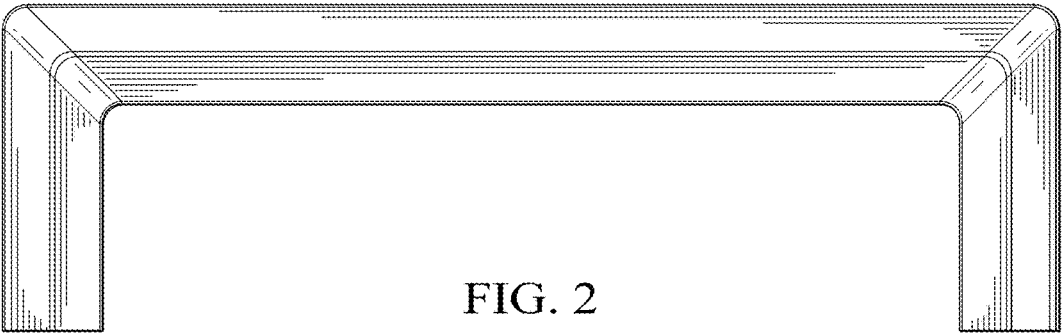


FIG. 2

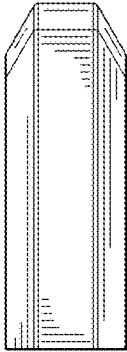


FIG. 3



FIG. 4

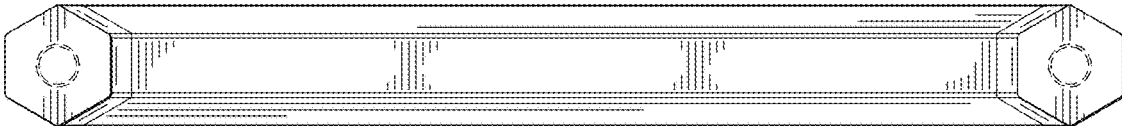


FIG. 5