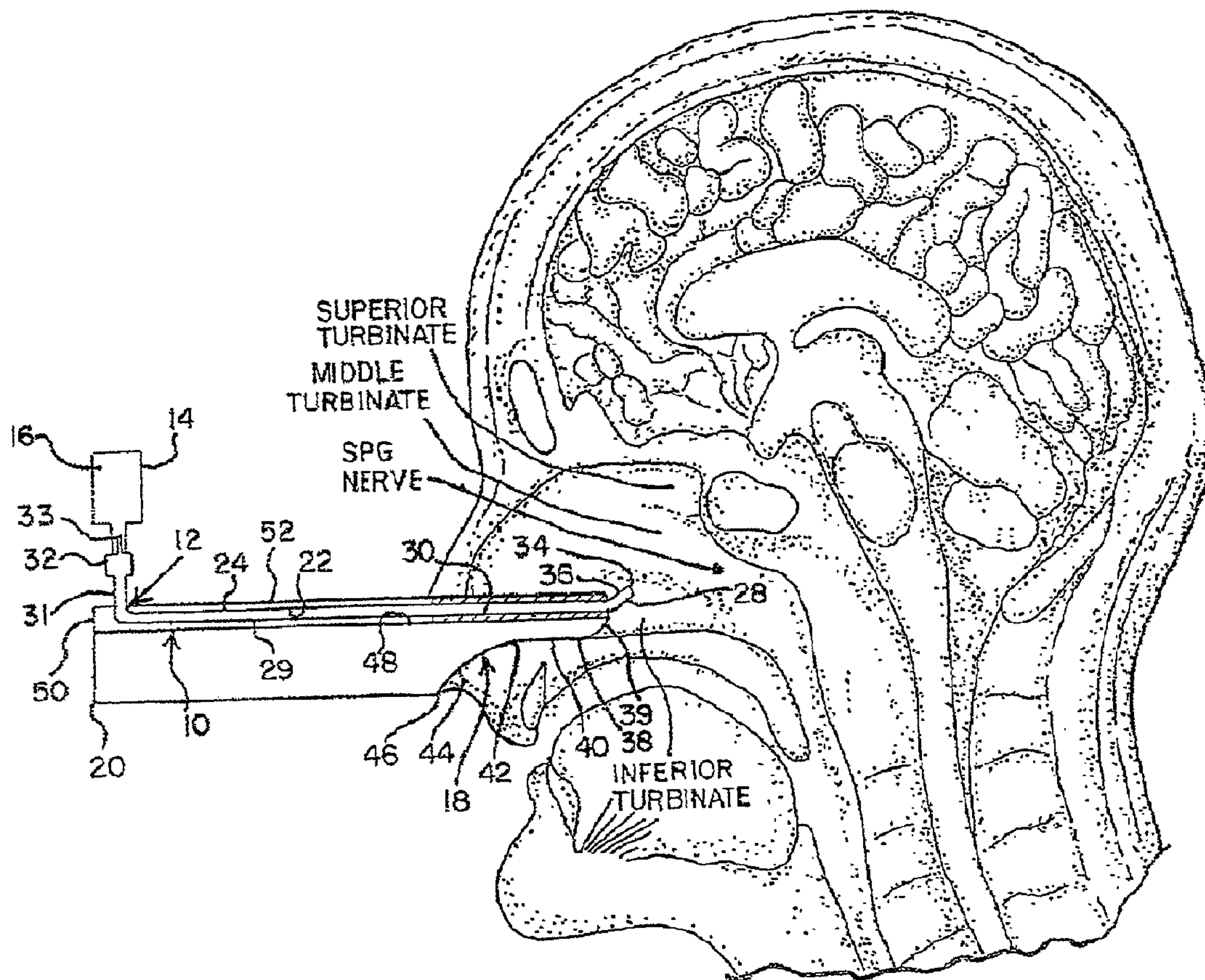




(86) **Date de dépôt PCT/PCT Filing Date:** 2011/10/28  
 (87) **Date publication PCT/PCT Publication Date:** 2012/05/24  
 (45) **Date de délivrance/Issue Date:** 2015/06/30  
 (85) **Entrée phase nationale/National Entry:** 2013/04/22  
 (86) **N° demande PCT/PCT Application No.:** US 2011/058238  
 (87) **N° publication PCT/PCT Publication No.:** 2012/067787  
 (30) **Priorité/Priority:** 2010/11/15 (US12/946,576)

(51) **Cl.Int./Int.Cl. A61M 11/06** (2006.01),  
**A61M 15/08** (2006.01), **A61M 31/00** (2006.01)  
 (72) **Inventeur/Inventor:**  
 XIA, TIAN, US  
 (73) **Propriétaire/Owner:**  
 XIA, TIAN, US  
 (74) **Agent:** CASSAN MACLEAN

(54) **Titre : DISPOSITIFS DESTINES A ADMINISTRER UN MEDICAMENT ET METHODES D'ATTENUATION DE LA DOULEUR**  
 (54) **Title: DEVICES FOR DELIVERING A MEDICAMENT AND METHODS FOR AMELIORATING PAIN**



(57) **Abrégé/Abstract:**

A device for delivering a medicament to a patient in need thereof includes: (a) an injector including a first end configured to remain outside a nasal passage of the patient and a second end configured for entry into the nasal passage of the patient, wherein the

**(57) Abrégé(suite)/Abstract(continued):**

injector is moveable between a storage position and an engaging position; and (b) an introducer configured for engagement with a nostril of the patient, wherein the introducer includes a passageway configured for slidably receiving the injector, and wherein the introducer includes a curvature along a portion thereof adjacent to the passageway. Methods for ameliorating pain in a patient include (a) introducing the injector through the nasal passage of the patient into a region substantially medial and/or posterior and/or inferior to a sphenopalatine ganglion of the patient; and (b) delivering a medicament from the injector superiorly and/or laterally and/or anteriorly towards the sphenopalatine ganglion.

(12) INTERNATIONAL APPLICATION PUBLISHED UNDER THE PATENT COOPERATION TREATY (PCT)

(19) World Intellectual Property  
Organization  
International Bureau(43) International Publication Date  
24 May 2012 (24.05.2012)(10) International Publication Number  
**WO 2012/067787 A1**

## (51) International Patent Classification:

*A61M 11/06* (2006.01)

## (21) International Application Number:

PCT/US2011/058238

## (22) International Filing Date:

28 October 2011 (28.10.2011)

## (25) Filing Language:

English

## (26) Publication Language:

English

## (30) Priority Data:

12/946,576 15 November 2010 (15.11.2010) US

## (72) Inventor; and

(71) Applicant : XIA, Tian [US/US]; 2542 S. Lowe, Chicago, IL 60616 (US).

(74) Agent: GNOFFO, Vincent, J.; BRINKS HOFER GILSON &amp; LIONE, P.O. Box 10087, Chicago, IL 60610 (US).

(81) Designated States (unless otherwise indicated, for every kind of national protection available): AE, AG, AL, AM,

AO, AT, AU, AZ, BA, BB, BG, BH, BR, BW, BY, BZ, CA, CH, CL, CN, CO, CR, CU, CZ, DE, DK, DM, DO, DZ, EC, EE, EG, ES, FI, GB, GD, GE, GH, GM, GT, HN, HR, HU, ID, IL, IN, IS, JP, KE, KG, KM, KN, KP, KR, KZ, LA, LC, LK, LR, LS, LT, LU, LY, MA, MD, ME, MG, MK, MN, MW, MX, MY, MZ, NA, NG, NI, NO, NZ, OM, PE, PG, PH, PL, PT, QA, RO, RS, RU, RW, SC, SD, SE, SG, SK, SL, SM, ST, SV, SY, TH, TJ, TM, TN, TR, TT, TZ, UA, UG, US, UZ, VC, VN, ZA, ZM, ZW.

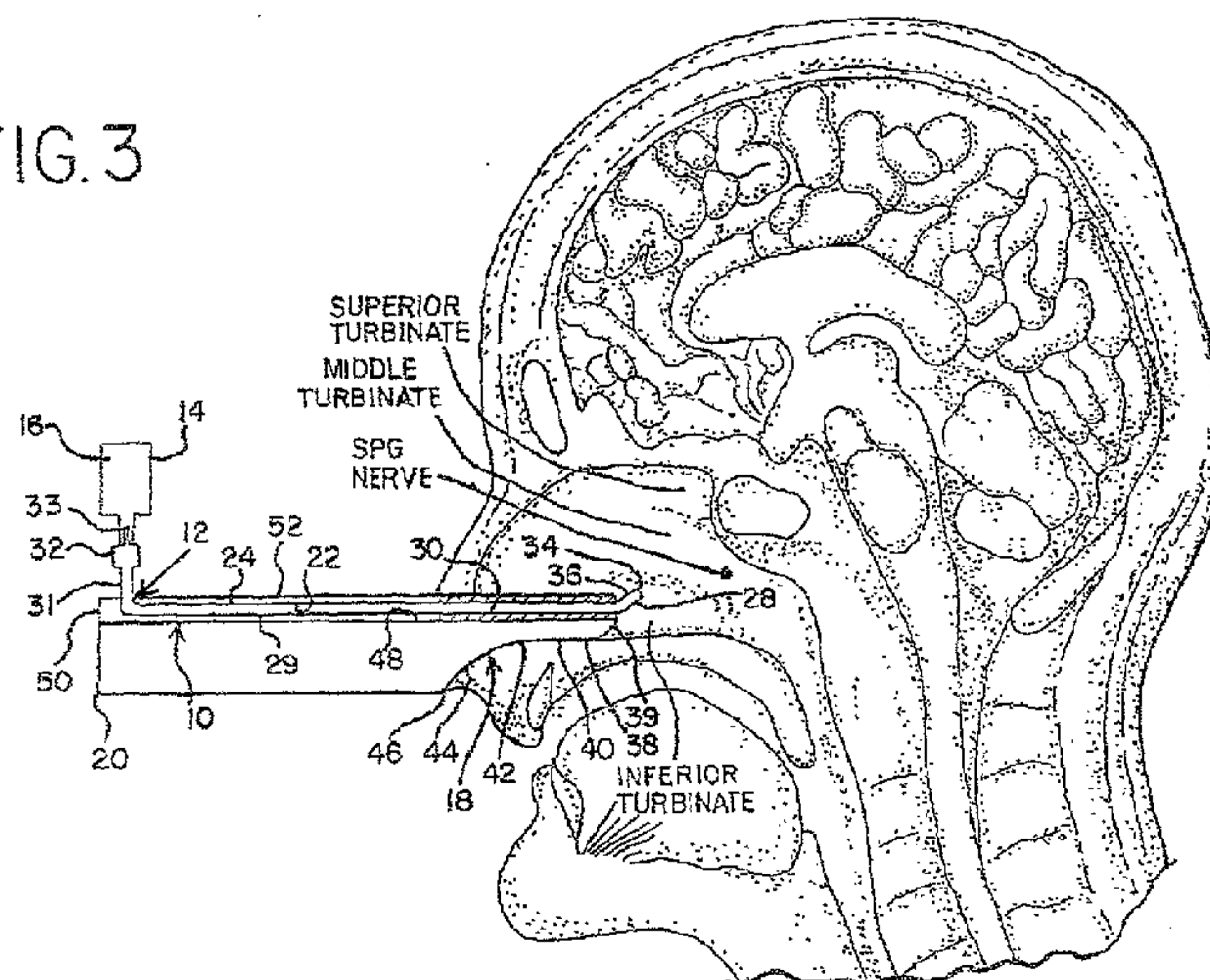
(84) Designated States (unless otherwise indicated, for every kind of regional protection available): ARIPO (BW, GH, GM, KE, LR, LS, MW, MZ, NA, RW, SD, SL, SZ, TZ, UG, ZM, ZW), Eurasian (AM, AZ, BY, KG, KZ, MD, RU, TJ, TM), European (AL, AT, BE, BG, CH, CY, CZ, DE, DK, EE, ES, FI, FR, GB, GR, HR, HU, IE, IS, IT, LT, LU, LV, MC, MK, MT, NL, NO, PL, PT, RO, RS, SE, SI, SK, SM, TR), OAPI (BF, BJ, CF, CG, CI, CM, GA, GN, GQ, GW, ML, MR, NE, SN, TD, TG).

## Published:

— with international search report (Art. 21(3))

(54) Title: DEVICES FOR DELIVERING A MEDICAMENT AND METHODS FOR AMELIORATING PAIN

FIG. 3



(57) Abstract: A device for delivering a medicament to a patient in need thereof includes: (a) an injector including a first end configured to remain outside a nasal passage of the patient and a second end configured for entry into the nasal passage of the patient, wherein the injector is moveable between a storage position and an engaging position; and (b) an introducer configured for engagement with a nostril of the patient, wherein the introducer includes a passageway configured for slidably receiving the injector, and wherein the introducer includes a curvature along a portion thereof adjacent to the passageway. Methods for ameliorating pain in a patient include (a) introducing the injector through the nasal passage of the patient into a region substantially medial and/or posterior and/or inferior to a sphenopalatine ganglion of the patient; and (b) delivering a medicament from the injector superiorly and/or laterally and/or anteriorly towards the sphenopalatine ganglion.

WO 2012/067787 A1

-1-

DEVICES FOR DELIVERING A MEDICAMENT AND METHODS FOR  
AMELIORATING PAIN

[0001] (Blank)

TECHNICAL FIELD

[0002] The embodiments described herein relate generally to devices and methods for pain management—particularly, though not exclusively, to *the management of pain associated with headaches, facial aches, and the like.*

INTRODUCTION

[0003] Conventional methods for treating pain associated with headaches and facial aches are not as safe or effective as desired. By way of example, non-steroidal anti-inflammatory drugs (NSAIDs), such as the COX-2 brand of medications, must be used sparingly and only for short durations in view of their potential for causing ulcers and heart attacks—a drawback that is further compounded by the inefficacy of these medications in a large number of patients. The use of narcotics is likewise undesirable in view of their potentially addictive properties. In addition, the use of tryptamine-based drugs—which include but are not limited to sumatriptan (sold under the tradename IMITREX by GlaxoSmithKline) and zolmitriptan (sold under the tradename ZOMIG by AstroZeneca)—is undesirable in view of the costliness and potentially high toxicity of these drugs.

[0004] One method that has been employed for controlling the pain associated with headaches and facial aches is known as an SPG block. In

-2-

this approach, anesthetic is applied to a sphenopalatine ganglion (SPG) of a patient by a trained medical professional, who typically inserts a cotton-tipped applicator soaked in the anesthetic into the nostril of a patient in order to apply the anesthetic to the SPG. Using the middle turbinate as an anatomical landmark, the soaked cotton-tipped applicators are pushed upwards in what is essentially a blind advance (the success of which depends very heavily on the skill and experience of the physician). Clearly, the efficacy and safety of this procedure leave much to be desired. Moreover, the efficacy and safety of conventional SPG blocks have been significantly compromised by a long-held but mistaken belief amongst clinicians that the SPG is located posterior to the superior turbinate—which it is not.

**[0005]** In short, there is a pressing need amongst patients and clinicians for safer and more effective methods and devices for achieving an SPG block—particularly ones that can be employed directly by a patient without the assistance or supervision of a trained medical professional.

#### **SUMMARY**

**[0006]** The scope of the present invention is defined solely by the appended claims, and is not affected to any degree by the statements within this summary.

**[0007]** A device for delivering a medicament to a patient in need thereof includes: (a) an injector including a first end configured to remain outside a nasal passage of the patient and a second end configured for entry into the nasal passage of the patient, wherein the injector is moveable between a storage position and an engaging position; and (b) an introducer configured for engagement with a nostril of the patient, wherein the introducer includes a passageway configured for slidably receiving the injector, and wherein the introducer includes a curvature along a portion thereof adjacent to the passageway.

**[0007a]** A further device for delivering a medicament to a patient in need thereof includes: (a) an injector including a first end configured to

-2a-

remain outside a nasal passage of the patient and a second end configured for entry into the nasal passage of the patient; (b) an introducer configured for engagement with a nostril of the patient, wherein the introducer comprises a passageway configured for slidably receiving the injector, and the passageway slidably receiving a syringe within the introducer, wherein the introducer comprises a curvature along a portion thereof adjacent to and surrounding a distal length of the passageway, wherein the injector is moveable, relative to the introducer, between a storage position and an engaging position; and (c) a housing of the introducer, wherein a first end of the housing is configured to remain outside a nasal passage of the patient and wherein a second end of the housing comprises the curvature portion of the introducer.

**[0007b]** A still further device for delivering a medicament to a patient in need thereof includes: (a) an injector comprising: a first, proximal, end including a hub with a syringe-attachment Luer structure, said first end configured to remain outside a nasal passage of the patient; a second, distal, end configured for entry into the nasal passage of the patient; and a tubular injector body between the first end and second end; and (b) an introducer configured for engagement with a nostril of the patient, wherein the introducer comprises an introducer passageway configured for slidably receiving the injector, where the introducer passageway slidably receives a syringe barrel when a hub-attached syringe is advanced distally within the introducer. The introducer comprises a curvature along a distal portion thereof that surrounds and defines a distal longitudinal curvature of the passageway. The injector is moveable, relative to the introducer, between a storage position and an engaging position. The hub comprises a radially-extending stop bar and wherein an inward-facing surface of the introducer passageway comprises a pair of substantially parallel longitudinal ledges configured to abut against and be tracked along by the stop bar on first and second opposing sides of the stop bar, where said ledges provide for a first longitudinal linear path and a second longitudinal linear path, each parallel to the other and to a central

-2b-

longitudinal axis, separated radially from each other by a predetermined number of degrees of rotation corresponding to a desired medicament delivery angle. The length of the ledges corresponds to at least a portion of longitudinal distance between the storage position and the engaging position of the injector relative to the introducer. The tubular injector body comprises one or a plurality of apertures along a side of the flexible tube adjacent to the second end.

**[0008]** A method for ameliorating pain in a patient includes (a) introducing the injector of a device of a type described above through the nasal passage of the patient into a region substantially medial and/or posterior

-3-

and/or inferior to a sphenopalatine ganglion of the patient; and (b) delivering a medicament from the injector superiorly and/or laterally and/or anteriorly towards the sphenopalatine ganglion.

#### BRIEF DESCRIPTION OF THE DRAWINGS

**[0009]** FIG. 1 shows a cross-sectional side view of a first device for delivering a medicament to a patient in need thereof prior to insertion of the device into a patient's nostril in accordance with principles described herein.

**[0010]** FIG. 2 shows a cross-sectional top plan view of the device of FIG. 1 taken along the line 2—2.

**[0011]** FIG. 3 shows a cross-sectional side view of the device of FIG. 1 after the introducer has been engaged with a patient's nostril in accordance with principles described herein.

**[0012]** FIG. 4 shows a cross-sectional side view of the device of FIG. 1 after the introducer has been engaged with a patient's nostril and after the injector has been moved from its storage position to an engaging position that positions the second end of the injector medial, posterior, and inferior to the sphenopalatine ganglion.

**[0013]** FIG. 5 shows a median cross-sectional view of a human head with the SPG 2 shown in its correct anatomical position posterior to the middle turbinate 4.

**[0014]** FIG. 6 shows a side elevation of a second device for delivering a medicament to a patient in need thereof prior to insertion of the hub into the housing and with the injector in its storage position.

**[0015]** FIG. 7 shows a partial cross-sectional side view of the device of FIG. 6 with the injector in its storage position.

**[0016]** FIG. 8 shows a partial cross-sectional side view of the device of FIG. 6 with the injector in an engaging position.

**[0017]** FIG. 9 shows an exploded perspective view of the device of FIG. 6.

-4-

## DETAILED DESCRIPTION

**[0018]** Heretofore unknown and highly effective methods for ameliorating pain in a patient—particularly though not exclusively the pain associated with headaches, facial aches, and the like—and user-friendly devices enabling facile self-administration of medicaments in accordance with these methods, have been discovered and are described herein. As further explained below, the methods and devices described herein enable delivery of a medicament superiorly and/or laterally and/or anteriorly towards the sphenopalatine ganglion from a region substantially medial and/or posterior and/or inferior to the sphenopalatine ganglion.

**[0019]** As used herein, the phrase “towards the sphenopalatine ganglion” and similar such phrases used in reference to the delivery of a medicament are intended to include the SPG itself as well as the pterygopalatine fossa which houses the SPG and the sphenopalatine foramen.

**[0020]** By way of introduction, FIG. 5 shows a median cross-sectional view of a human head that correctly identifies the location of the SPG **2** as being posterior to the middle turbinate **4**—not posterior to the superior turbinate **6** or at the apex **8** of the nasal cavity in proximity to cribriform plate **9** as various clinicians have erroneously thought. In addition, the correct location of the SPG **2** is actually offset laterally from the plane of the drawing—in other words, the SPG does not lie in a two-dimensional plane with respect to the depicted cross-section, as has also been erroneously held by various clinicians.

**[0021]** In United States Patent No. 4,886,493, Jordan Yee describes a process for performing an SPG block in which a tube is inserted through the nostril of a patient in an attempt to deliver medication to the pterygopalatine fossa, which houses the SPG. Unfortunately, as shown in FIG. 3 of U.S. Patent No. 4,886,493, the location of the pterygopalatine fossa (**18**) has been misidentified as lying posterior to the superior turbinate and in an x-y plane accessible by a straight line from the nostril via a tube (**11**). As a result of this misunderstanding—in addition to the expected lack of efficacy one would expect from delivering medication to the wrong location—the terminal end

-5-

(13) of the Yee device comes perilously close to contacting the delicate cribriform plate. Since the cribriform plate is sievelike and in communication with the frontal lobe of the brain, it is extremely dangerous to introduce anesthetics in close proximity to this plate since they can easily penetrate through to the frontal lobe.

[0022] United States Patent No. 6,491,940 B1 to Bruce H. Levin describes an alternative procedure for performing an SPG block. In contrast to the Yee patent described above, U.S. Patent No. 6,491,940 B1 appears to recognize the lateral offset of the SPG since it describes a curved rather than straight body (100) for introducing anesthetic. Unfortunately, similarly to the Yee patent, the Levin patent also fails to recognize that the correct location of the SPG is posterior to the middle turbinate—not at the apex of the nasal cavity as shown in FIG. 4A of Levin and as described therein (e.g., col. 72, lines 20-22). Thus, as in the case of the Yee patent, the process described in the Levin patent once again introduces an anesthetic delivering device in dangerously close proximity to the cribriform plate with all of the attendant risks and diminished efficacies associated therewith.

[0023] United States Patent No. 6,322,542 B1, assigned to AstraZeneca, describes a device for delivering medicaments into the nasal cavity of a patient. Although the stated objective of this device is to effectively deliver medicament to the posterior region of the nasal cavity (col. 1, lines 29-32), its configuration (e.g., the linearity of tubular member 35) is ill-adapted to delivering medicament to or in proximity to the SPG. Rather, medicament will be delivered largely to the region 7 shown in FIG. 5 of the present application. The delivery of anesthetics in proximity to the region 7 is highly undesirable inasmuch as the anesthetics can readily suppress the gag reflex, thereby creating a risk of aspiration pneumonia.

[0024] While neither desiring to be bound by any particular theory, nor intending to affect in any measure the scope of the appended claims or their equivalents, the following background information is provided regarding present-day understanding of the anatomy of the SPG in order to further elucidate the description of the devices and methods provided hereinbelow.

-6-

**[0025]** The SPG (also known as the pterygopalatine ganglion) is the largest group of neurons outside the cranial cavity and lies in the pterygopalatine fossa, which is approximately 1-cm wide and approximately 2-cm high. The pterygopalatine fossa is bordered anteriorly by the posterior wall of the maxillary sinus, posteriorly by the medial plate of the pterygoid process, medially by the perpendicular plate of the palatine bone, and superiorly by the sphenoid sinus. Laterally, the pterygopalatine fossa communicates with the infratemporal fossa.

**[0026]** The SPG within the fossa is located posterior to the middle turbinate of the nose and lies a few millimeters (1 mm to 5 mm) deep to the lateral nasal mucosa. The SPG has a complex neural center and multiple connections. The SPG is suspended from the maxillary branch of trigeminal nerve at the pterygopalatine fossa via the pterygopalatine nerves, and lies medial to the maxillary branch when viewed in the sagittal plane. Posteriorly, the SPG is connected to the vidian nerve. The SPG itself has efferent branches and forms the superior posterior lateral nasal and pharyngeal nerves. Caudally, the ganglion (SPG) is in direct connection with the greater and lesser palatine nerves.

**[0027]** The SPG has sensory, motor and autonomic components. The sensory fibers arise from the maxillary nerve, pass through the SPG, and are distributed to the nasal membranes, the soft palate and some parts of the pharynx. A few motor nerves are also believed to be carried with the sensory trunks.

**[0028]** The autonomic innervations of the SPG are more complex. The sympathetic component begins with preganglionic sympathetic fibers originating in the upper thoracic spinal cord, forming the white rami communicantes, coursing through the sympathetic ganglion, where the preganglionic fibers synapse with the postganglionic ones. The postganglionic fibers then join the carotid nerves before branching off and traveling through the deep petrosal and vidian nerves. The postganglionic sympathetic nerves continue their path through the SPG on their way to the lacrimal gland and nasal and palatine mucosa.

-7-

**[0029]** The SPG is usually considered parasympathetic in function. The parasympathetic component of SPG has its preganglionic origin in the superior salivatory nucleus then travels through a portion of the facial nerve (VII) before forming the greater petrosal nerve to form the vidian nerve, which ends in the SPG. Within the ganglion, the preganglionic fibers synapse with their postganglionic cells and continue on to the nasal mucosa, and one branch travels with the maxillary nerve to the lacrimal gland.

**[0030]** Notwithstanding the description above, and regardless of the currently-held theories respecting the anatomy of the SPG, a safe and effective amelioration of pain can be achieved as a result of using the devices and methods described below. Although representative devices **10** and **54** will be described in reference to FIGS. 1-4 and FIGS. 6-9, respectively, it is to be understood that these representative devices are merely illustrative and that alternative structures can likewise be utilized for delivering a medicament in accordance with principles described herein. It is to be understood that elements and features of the various representative devices described below may be combined in different ways to produce new embodiments that likewise fall within the scope of the present teachings. The drawings and the description below have been provided solely by way of illustration, and are not intended to limit the scope of the appended claims or their equivalents.

**[0031]** FIGS. 1-4 show a representative device **10** for delivering a medicament to a patient in need thereof. The device **10** includes an injector **12** comprising a first end **29** configured to remain outside a nasal passage of the patient and a second end **30** configured for entry into the nasal passage of the patient. Device **10** further includes an introducer **18** configured for engagement with a nostril of the patient and comprising a passageway **48** configured for slidably receiving the injector **12**. The injector **12** is moveable between a storage position (best shown by FIG. 1) preceding engagement of introducer **18** with a patient's nostril, and an engaging position (best shown by FIG. 4) pursuant to engagement of introducer **18** with the patient's nostril. However, upon the initial engagement of introducer **18** with a patient's nostril, the injector **12** is desirably maintained—at least for a time—in a storage

-8-

position (best shown by FIG. 3) until it is deliberately moved to an engaging position (best shown by FIG. 4) under the direction of a user. In some embodiments, the engaging position of injector 12 is situated medial and/or inferior to the SPG. In other embodiments, the engaging position of injector 12 is situated medial, inferior, and posterior to the SPG, as best shown by FIG. 4.

**[0032]** As used herein, the phrases “storage position” and “engaging position” are each intended to encompass multiple positions within a selected range. For example, in some embodiments, the degree to which injector 12 is extended into the nostril of a first patient (e.g., a child) will vary from the degree to which injector 12 is extended into the nostril of a second patient (e.g., an adult male). Notwithstanding, the phrase “engaging position” is intended to encompass many variations in the precise position of injector 12 within the nostril, any of which are properly regarded as being medial and/or posterior and/or inferior to the SPG. In some embodiments, injector 12 is not slidable within introducer 18 but rather is fixed in a predetermined position so as to be medial and/or inferior to the SPG upon engagement of introducer 18 with a patient's nostril. In other embodiments, injector 12 is not slidable within introducer 18 but rather is fixed in a predetermined position so as to be medial, posterior, and inferior to the SPG upon engagement of introducer 18 with a patient's nostril.

**[0033]** The injector 12 comprises a tubular section 24 (a so-called cobra tube in recognition of the tube's extensibility) that includes a channel 22 extending from first end 29 to second end 30 and configured for receiving a medicament. In some embodiments, tubular section 24 has an outer diameter of about 5 mm and channel 22 has an inner diameter of about 2 mm. Throughout this description, measurements and distances such as the diameters just given are to be strictly regarded as being merely representative and in no way limiting and/or fixed. Considerable variation in all measurements and distances provided in this description is possible, as will be readily appreciated by one of ordinary skill in the art.

-9-

**[0034]** In some embodiments, the second end **30** of injector **12** contains a nozzle **28** having a tip **34** that contains one or a plurality of apertures **36** configured for spraying a medicament superiorly and/or laterally and/or anteriorly towards the SPG. In some embodiments, nozzle **28** is configured for spraying a medicament laterally and/or superiorly towards the SPG, and in other embodiments, nozzle **28** is configured for spraying a medicament laterally, superiorly, and anteriorly towards the SPG.

**[0035]** In some embodiments, nozzle **28** extends at an upward angle of inclination from second end **30** of injector **12**. In some embodiments, nozzle **28** extends in a lateral, anterior, and superior direction at an angle of inclination ranging from about 45 degrees to about 60 degrees to accommodate varying patient anatomies in which the SPG resides in a lateral cave posterior to the middle turbinate. In some embodiments, nozzle **28** has a length ranging from about 2 mm to about 5 mm. In some embodiments, injector **12** is designed to exhibit handedness, such that in some embodiments, injector **12** is configured for engagement with a left-side nostril of a patient, whereas in other embodiments, injector **12** is configured for engagement with a right-side nostril of the patient (with the contour of a left-handed injector being generally complementary to the contour of a right-handed injector).

**[0036]** The introducer **18** can be aimed into a nostril to provide a horizontal pathway substantially parallel to the bottom of the nasal cavity or floor of the nose—such that introducer **18** is supported on the bottom of the nasal cavity—to a position medial to the inferior turbinate. This self-seating feature of introducer **18** facilitates quick and accurate usage by a patient without necessitating supervision from a medical professional. In some embodiments, introducer **18** provides an extended pathway of between about 1.5 cm and about 2 cm into the nostril. Once introducer **18** is placed firmly against the nose, the tip of the nose will tend to point superiorly. The tubular section **24** of injector **12** can then be pushed partially or completely into the back of the nostril. In order to accommodate the slightly curved nature of the interior anatomy of the nose, the passageway **48** in which tubular section **24**

-10-

lies can be curved slightly to the ipsilateral nostril by about 5 to about 20 degrees. Once tubular section **24** is in position, a medicament can then be delivered to the SPG from nozzle **28** to exert the desired SPG blocking effect. In some embodiments, device **10** is provided with an optional safety abutment stop to limit the extent of travel into the nostril available to injector **12**.

**[0037]** As best shown by FIGS. 1, 3, and 4, introducer **18** contains a first portion **44** and a second portion **38**. In some embodiments, a cross-sectional area of first portion **44** is larger than a cross-sectional area of second portion **38**. In some embodiments, first portion **44** is generally concave and has a contour **46** configured to be complementary in shape to an interior of the nostril so as to substantially conform therewith. In some embodiments, narrow second portion **38** has a rounded convex portion **39** and an underside **40** having a generally flat surface **42**. The passageway **48** of introducer **18** slidably receives tubular section **24** of injector **12** and, in some embodiments, has a diameter of between about 6 mm and about 7 mm. In some embodiments, second portion **38** of introducer **18** contains a nostril-engaging tip that extends from about 1 cm to about 3 cm. In some embodiments, first portion **44** of introducer **18** extends from about 2 cm to about 3 cm. In some embodiments, introducer **18** is designed to exhibit handedness, such that in some embodiments, introducer **18** is configured for engagement with a left-side nostril of a patient, whereas in other embodiments, introducer **18** is configured for engagement with a right-side nostril of the patient (with the contour of a left-handed introducer being generally complementary to the contour of a right-handed introducer).

**[0038]** In some embodiments, device **10** further includes a container **14** in communication with first end **29** and channel **22** of injector **12**, which is configured for holding a medicament **16** (e.g., anesthetic). In some embodiments, as shown in FIGS. 1, 3, and 4, container **14** is supported on a stem **26** having a lower section **31** which, in some embodiments, has an outer diameter substantially the same as that of tubular section **24**. Lower section **31** can extend outwardly and/or upwardly and/or at an angle of inclination from first end **29** of injector **12** and, in some embodiments, connects with an

-11-

upper section **32** having an enlarged diameter configured to receive an outlet **33** of container **14**. Analogous to lower section **31**, upper section **32** can extend outwardly and/or upwardly and/or at an angle of inclination.

**[0039]** In some embodiments, container **14** is operatively connected, mounted or otherwise secured to upper stem section **32** and is fully or partially filled with a medicament **16**. Since container **14** is in communication with channel **22** of injector **12**, medicament **16** can be delivered along tubular section **24** and released through one or more apertures **36** of nozzle **28**. Container **14** can be formed of plastic, metal or the like, and can be squeezable and/or pressurized to facilitate medicament delivery into channel **22**. In some embodiments, container **14** is replaced by a port (not shown), such that a medicament can be introduced through the port into upper section **32** by a delivery device such as a syringe.

**[0040]** In some embodiments, device **10** further includes an optional handle **20** connected to a rear portion of introducer **18** adjacent first portion **44**. The handle **20** includes an upwardly facing groove **50** that provides a track **52** configured to receive and in communication with passageway **48** of introducer **18** to slidably receive tubular section **24** of injector **12**. In some embodiments, track **52** has a depth or width of between about 6 mm and about 7 mm. Handle **20** is configured for movement towards a patient's face, such that posterior movement of handle **20** moves introducer **18** into engagement with the nostril of the patient.

**[0041]** Injector **12**, introducer **18**, and handle **20** can be formed from all manner of materials including but not limited to flexible, rigid or semi-rigid polymeric materials (e.g., plastics, rubbers, etc.), metals and alloys thereof, and the like, and combinations thereof. In some embodiments, injector **12** is formed of a flexible plastic, introducer **18** is formed of an elastomeric and/or resilient plastic or rubber, and handle **20** is formed of plastic. In some embodiments, one or more of injector **12**, introducer **18**, and handle **20** is designed from a material so as to be disposable and/or biodegradable.

**[0042]** While the representative device **10** described above can be used to deliver a medicament superiorly and/or laterally and/or anteriorly towards a

-12-

sphenopalatine ganglion of a patient in accordance with the principles set forth herein, alternative structures can likewise be employed to similarly accomplish such a delivery.

**[0043]** Solely by way of example, a delivery tube having a curved portion at one of its ends configured for insertion into a patient's nostril—*analogous to the angled nozzle 28 provided on the second end 30 of injector 12*—can be housed within a substantially cylindrical (e.g., pen- or cigar-shaped) housing. The delivery tube can be formed of a flexible or semi-rigid material (such as a plastic) such that it can be maintained in a substantially linear or non-curved arrangement while in its storage position within the housing but readily restored to its curved configuration when extended from the housing into an engaging position. In such a device, one or more internal surfaces of the external housing acts to straighten or restrain—completely or at least partially—the inherent curvature of the delivery tube until such time as the delivery tube is moved to an engaging position, whereupon the curvature of the tube is restored. In some embodiments, at least a portion of the delivery tube (e.g., the end designed to emit medicament) can be expandable if desired (e.g., when air, oxygen and/or other gases, and/or medicaments are forced through the tube under pressure).

**[0044]** By providing one or more optional indicial markings on the cylindrical housing described above, a user can readily identify the direction of curvature of the delivery tube stored inside, such that by turning the housing around and arc of 360 degrees, the user can select any desired direction of spray for delivering a medicament through the delivery tube. Simply by rotating the housing, the direction of spray can be incrementally changed through a continuous arc between 0 degrees and 360 degrees inclusive. In design, one end of the housing can be fitted with a luer lock configured to engage with a syringe containing the medicament. Alternatively, the end of the housing configured to remain outside the nostril can be fitted with a septum or similar such membrane through which a medicament can be introduced into the delivery tube housed therein.

-13-

**[0045]** Numerous other modifications to the delivery devices described herein, as well as alternative structures, are likewise contemplated for use to the extent they similarly allow for the delivery of a medicament superiorly and/or laterally and/or anteriorly towards a sphenopalatine ganglion of a patient in accordance with the present teachings. By way of example, the portion of the device configured for insertion into a patient's nostril (e.g., a portion of the injector **12** described above) can be formed from any therapeutically acceptable malleable material (e.g., plastics, metals, metal alloys, and the like) capable of receiving and retaining a desired shape when manipulated by a user. (e.g., increased or decreased curvature of the angled nozzle **28** provided on the second end **30** of injector **12**). Such a feature may be desirable, for example, when a clinician wishes to customize the exact geometry of a device before using it on a patient in a clinical setting.

**[0046]** FIGS. 6-9 show a representative device **54** for delivering a medicament to a patient in need thereof. The device **54** includes an injector **56** comprising a first end **58** configured to remain outside a nasal passage of the patient and a second end **60** configured for entry into the nasal passage of the patient. Device **54** further includes an introducer **62** configured for engagement with a nostril of the patient and comprising a passageway **64** configured for slidably receiving the injector **56**. The injector **56** is moveable between a storage position (best shown by FIGS. 6 and 7) preceding engagement of introducer **62** with a patient's nostril, and an engaging position (best shown by FIG. 8) pursuant to engagement of introducer **62** with the patient's nostril.

**[0047]** As best shown by FIGS. 6 and 7, the injector **56** is coupled to a hub **66** fitted with a luer lock mechanism configured to engage with the threads of a syringe (not shown) containing a medicament to be delivered to a patient. As best shown by FIGS. 7-9, the hub **66** is coupled to a stop bar **68** that is compressible. Prior to engagement with a syringe, hub **66** is configured to remain outside of housing **70** and to resist rotation therein since stop bar **68** is positioned within a keyed slot **72** formed by the two halves of housing **70**. As hub **66** is pressed axially into housing **70** (e.g., by a syringe

-14-

coupled to the luer lock mechanism on hub **66**), stop bar **68** travels along keyed slot **72** until it reaches lip **74** at which point stop bar **68** engages lip **74**, thereby preventing retraction of hub **66** from the interior of housing **70**, and at which point hub **66** (and the syringe coupled thereto) become rotatable over a fixed range. The irreversibility of the axial travel of hub **66** within housing **70** provides a useful way for a practitioner to readily distinguish a used device from an unused one—namely, if hub **66** does not protrude from housing **70**, the device has previously been used.

**[0048]** As may best be understood from a consideration of FIGS. 8 and 9, stop bar **68** is further configured to act in conjunction with a ledge **78** inside of housing **70** such that the range of rotation of hub **66** (and the syringe coupled thereto) is limited to predetermined angles (e.g., about 45° clockwise or 45° counterclockwise). Rotation beyond the predetermined angles (which are determined based on positioning of ledge **78**) is prevented when stop bar **68** butts up against ledge **78**. This feature facilitates accuracy of use by a user by limiting the positions from which medicament can be introduced from injector **56** to those having the desired trajectory towards a target site.

**[0049]** As best shown by FIG. 8, injector **56**—which in some embodiments comprises a flexible plastic tube having shape memory—retains a slight curvature that is conferred upon it by the curved introducer **62** during storage. By virtue of this curvature, and by providing one or a plurality of apertures along the side of second end **60**, the injector **56** is designed to be used in both the left-side and right-side nostrils of a patient without regard to handedness.

**[0050]** In some embodiments, the diameter of the one or plurality of apertures along the side of second end **60** of injector **56** is smaller than an outer diameter of the flexible plastic tube, such that the liquid expelled through the aperture upon pressing the plunger of the syringe exits forcefully. In some embodiments, depending on the flexibility of the plastic tube, injector **56** undergoes further curvature under the pressure exerted by depression of the syringe plunger (e.g., in a direction away from that of the liquid exiting the aperture). In some embodiments, the diameter of the one or plurality of

-15-

apertures is smaller than an inner diameter of the flexible plastic tube. In some embodiments, the flexible plastic tube comprises a nylon resin (e.g., such as that sold under the tradename PEBAX 72D). In some embodiments, the flexible plastic tube comprises PEBAX 72D, has an outer diameter  $\phi$  of  $0.039 \pm 0.001$ , has a wall thickness of  $0.005 \pm 0.001$  (i.e., five thousandths of an inch), and has an aperture with a diameter of  $0.005 \pm 0.001$ . In some embodiments, the aperture is oriented at a  $50^\circ$  angle in a direction oriented towards the hub. In some embodiments, introducer **62**, housing **70**, keyed slot **72**, lip **74**, and ledge **78** are integrally formed (in some embodiments, as two complementary molded halves press fit and/or bonded together, such as with adhesives, sonic welding or the like) and, in some embodiments, these portions comprise polycarbonate. In some embodiments, hub **66** and stop bar **68** likewise comprise polycarbonate.

**[0051]** A method for ameliorating pain in a patient in accordance with the present teachings includes delivering a medicament superiorly and/or laterally and/or anteriorly towards a sphenopalatine ganglion of a patient using a device as described herein. In some embodiments, the medicament is delivered laterally and/or superiorly towards the SPG. In other embodiments, the medicament is delivered laterally, superiorly, and anteriorly towards the SPG.

**[0052]** In some embodiments, a method for ameliorating pain in a patient includes (a) introducing an injector **12** through a nasal passage of the patient into a region substantially medial and/or posterior and/or inferior to an SPG of the patient; and (b) delivering a medicament from injector **12** superiorly and/or laterally and/or anteriorly towards the SPG. In some embodiments, injector **12** is introduced through a nasal passage of the patient into a region substantially medial and/or inferior to the SPG, whereas in other embodiments the injector **12** is introduced into a region substantially medial, inferior, and posterior to the SPG. In some embodiments, the medicament is delivered laterally and/or superiorly towards the SPG, whereas in other embodiments, the medicament is delivered laterally, superiorly, and anteriorly towards the SPG. In some embodiments, injector **12** has a second end **30** containing one

-16-

or a plurality of apertures **36** through which a medicament is sprayed towards the SPG.

**[0053]** In some embodiments, injector **12** is slidably received in an introducer **18**, as described above, and the method further includes (c) engaging introducer **18** with a nostril of the patient, such that a portion of the patient's nose is lifted upon engagement with introducer **18**; and (d) sliding injector **12** from a storage position to an engaging position after introducer **18** is engaged with the nostril. As described above, the engaging position of injector **12** is situated medial and/or posterior and/or inferior to the SPG—medial and/or inferior in some embodiments, and medial, inferior, and posterior in other embodiments. In some embodiments, the medicament is provided in a container **14** connected to and in communication with injector **12**, as described above, and the method further includes (e) squeezing container **14** containing the medicament in order to spray the medicament towards the SPG.

**[0054]** In some embodiments, the method includes pushing introducer **18** snugly and comfortably within a nostril to lift the tip of the patient's nose before positioning the nozzle **28** of injector **12** in proximity to the SPG, sliding tubular section **24** of injector **12** through passageway **48** in introducer **18**, and/or sliding tubular section **24** of injector **12** on a track **52** of handle **20**.

**[0055]** All manner of medicaments suitable for introduction at or in the vicinity of the SPG are contemplated for use in accordance with the present teachings. The physical state of the medicament includes but is not limited to liquids, solids, semi-solids, suspensions, powders, pastes, gels, and the like, and combinations thereof. In some embodiments, the medicament is provided in an at least partially liquid form. In some embodiments, the medicament contains an anesthetic.

**[0056]** Anesthetics that may be used in accordance with embodiments described herein include but are not limited to ambucaine, amolanone, amylocaine, benoxinate, betoxycaine, biphenamine, bupivacaine, butacaine, butamben, butanilicaine, butethamine, butoxycaine, carticaine, cocaethylene, cocaine, cyclomethycaine, dibucaine, dimethisoquin,

-17-

dimethocaine, dipherodon, dyclonine, ecgonidine, ecgonine, ethyl aminobenzoate, ethyl chloride, etidocaine,  $\beta$ -eucaine, euprocin, fenalcomine, fomocaine, hexylcaine, hydroxyprocaine, hydroxytetracaine, isobutyl p-aminobenzoate, leucinocaine mesylate, levoxadrol, lidocaine, meperidine, mepivacaine, meprylcaine, metabutoxycaine, methyl chloride, myrtecaine, naepaine, octacaine, orthocaine, oxethazaine, parethoxycaine, phenacaine, phenol, a pipercoloxylidide, piperocaine, piridocaine, polidocanol, pramoxine, sameridine, prilocaine, propanocaine, proparacaine, propipocaine, propoxycaine, pseudococaine, pyrrocaine, quinine urea, risocaine, ropivacaine, salicyl alcohol, tetracaine, tolycaine, trimecaine, veratridine, zolamine, and the like, and combinations thereof, as well as all optical and/or stereoisomers thereof, and all pharmaceutically acceptable salts thereof.

**[0057]** In some embodiments, the medicament comprises an anesthetic selected from the group consisting of benzocaine, tetracaine, ropivacaine, lidocaine, water, saline, and combinations thereof. In some embodiments, the medicament comprises water and/or saline having a temperature of less than about 10 °C and in other embodiments of less than about 5 °C. In some embodiments, the medicament comprises water and/or saline having a temperature of about 4 °C. In some embodiments, the medicament comprises a combination of benzocaine, tetracaine, and ropivacaine. In some embodiments, the medicament comprises an anesthetic comprising about 14% benzocaine, about 2% tetracaine, and about 1% ropivacaine by weight based on total weight of the anesthetic.

**[0058]** In some embodiments, a mixture of benzocaine, tetracaine, and ropivacaine is used to achieve a fast onset of SPG block as well as to prolong the effects of pain relief, thereby reducing the need for repeated applications and minimizing any potential dose-related complications and/or side effects. Benzocaine—which is quite effective in topical use and has a toxic dose in excess of about 200 mg—has an onset time of about 30 seconds and lasts for between about 0.5 and about 1 hour. Benzocaine provides an almost immediate onset of pain relief and may increase the absorption of other local anesthetics when mixed therewith. Ropivacaine—which has a toxic dose of

-18-

about 175 mg—typically has a slow onset but lasts for between about 2 and about 6 hours. Ropivacaine provides an extended nerve block and lasting pain relief. Tetracaine is a very intense local anesthetic having a fast onset and lasting for between about 0.5 and about 1 hour. When tetracaine is combined with ropivacaine, the duration of pain relief exceeds 6 hours.

**[0059]** In some embodiments, the medicament used in accordance with the present teachings is provided in a container 14 (shown in FIGS. 1, 3, and 4) as a pressured or aerosolized mixture. The medicament optionally contains preservatives, a liquid carrier, and/or other inert ingredients and additives as will be readily appreciated by those of ordinary skill in the art.

**[0060]** The amount of medicament delivered in accordance with the present teachings can be readily determined by one of ordinary skill in the art and will vary according to factors such as the nature and/or concentration of the medicament, the patient's age, condition, and/or sensitivity to the medicament, and the like. In some embodiments, the dosage of anesthetic ranges from about 0.1 cc to about 1.0 cc. In some embodiments, the dosage of anesthetic is about 0.5 cc.

**[0061]** Methods and devices described herein are contemplated for use in the treatment of all manner of conditions for which the introduction of a medicament superiorly and/or laterally and/or anteriorly towards the SPG of a patient is desirable. Representative conditions that can be treated include but are not limited to sphenopalatine neuralgia, trigeminal neuralgia including glossopharyngeal neuralgia, migraine with or without aura, tension headaches, cluster headaches including chronic cluster headaches, paroxysmal hemicranias, superior laryngeal neuralgia, atypical facial pain, herpes zoster ophthalmicus, vasomotor rhinitis, major depression, fibromyalgia, and the like, and combinations thereof.

**[0062]** Topical administrations of a medicament to human tissue for the systemic delivery of a pharmaceutically active agent typically include the use of transdermal and/or transmucosal pastes, creams, liquids, solids, semisolids, and the like. However, systemic delivery of pharmaceutically active agents by topical administration is hampered by the difficulty of

-19-

diffusing an agent through the tissue to which the agent is applied in order to reach blood vessels, whereby the agent can then be absorbed for systemic delivery. Thus, to address this difficulty, the methods and devices described herein may be invoked to achieve increased permeability of the blood brain barrier in the administration of any medicament.

**[0063]** Conventional SPG block procedures have been used to treat a wide array of patient ailments, and the methods and devices described herein are contemplated for use in the treatment of all of them. Representative ailments include but are not limited to the pain and/or discomfort associated with muscle spasm, vasospasm, neuralgia, reflex sympathetic dystrophy, chronic low back pain of multiple etiology (e.g., muscular, discogenic, arthritic, etc.), external cricoidynia, lower jaw toothache, glossodynia, earache (in case of Eustachian tube) and middle ear lesions, earache secondary to cancer of the larynx, pain from laryngeal tuberculosis, spasm of the face and upper respiratory tract, syphilitic headache, malarial headache, cluster headache, ophthalmic migraine, dysmenorrhea, intercostal pain (neuralgia), gastric pain, nausea and diarrhea, myalgias of the neck muscles, sciatica, maxillary neuralgia, sensory facial neuralgia, upper teeth pain, pain associated with tooth extraction, feeling of foreign body in the throat, persistent itching in the external ear canal, herpes zoster oticus, taste disturbances, atypical facial pain, tic douloureux, cervical arthritis, myofascial syndrome, peripheral neuropathy, post-herpetic neuralgia, fracture secondary to osteoporosis, lumbosacral strain, extremity arthritis, various other arthritic conditions, and the like, and combinations thereof. Further indications for which the devices and methods described herein are contemplated include but are not limited to rage control, depression amelioration, and the like.

**[0064]** As used herein, the term "kit" refers to an assembly of materials that are used in performing a method in accordance with the present teachings. Such kits can include one or a plurality of devices and/or components thereof, including but not limited to the representative devices described above, and may further include one or more medicaments to be

-20-

used therewith, including but not limited to one or a plurality of the anesthetics described above.

**[0065]** In some embodiments, a kit includes an injector and/or an introducer, each of which is configured for engagement with a left-side nostril of the patient. In some embodiments, a kit includes an injector and/or an introducer configured for engagement with a right-side nostril of the patient. In some embodiments, a kit includes an injector and an introducer configured for engagement with a left-side nostril of the patient, as well as an injector and an introducer configured for engagement with a right-side nostril of the patient. Optionally, an interchangeable handle can also be provided for connection to either of the right-handed and left-handed introducers. In other embodiments, the handle itself exhibits handedness, and separate handles can be provided for each of the right-handed introducer and the left-handed introducer.

**[0066]** In some embodiments, the device is provided in a fully assembled state, while in other embodiments assembly of the device is required. In some embodiments, the device provided in the kit includes a delivery tube having a curved portion at one of its ends configured for insertion into a patient's nostril, wherein the delivery tube is housed within a substantially cylindrical (e.g., pen- or cigar-shaped) housing, such as the type described above. In some embodiments, one or a plurality of the components of the device is disposable and, optionally, biodegradable.

**[0067]** The medicament provided in a kit can contain a single reagent or a plurality of reagents. Representative medicaments for use in accordance with the present teachings include but are not limited to those described above. The medicaments may be provided in packaged combination in the same or in separate containers, depending on their cross-reactivities and stabilities, and in liquid or in lyophilized form. The amounts and proportions of any reagents provided in the kit may be selected so as to provide optimum results for a particular application.

**[0068]** Medicaments included in the kits may be supplied in all manner of containers such that the activities of the different components are

-21-

substantially preserved, while the components themselves are not substantially adsorbed or altered by the materials of the container. Suitable containers include but are not limited to ampoules, bottles, test tubes, vials, flasks, syringes, bags and envelopes (e.g., foil-lined), and the like. The containers may be formed of any suitable material including but not limited to glass, organic polymers (e.g., polycarbonate, polystyrene, polyethylene, etc.), ceramic, metal (e.g., aluminum), metal alloys (e.g., steel), cork, and the like. In addition, the containers may contain one or more sterile access ports (e.g., for access via a needle), such as may be provided by a septum. Preferred materials for septa include rubber and polymers including but not limited to, for example, polytetrafluoroethylene of the type sold under the trade name TEFLON by DuPont (Wilmington, DE). In addition, the containers may contain two or more compartments separated by partitions or membranes that can be removed to allow mixing of the components.

**[0069]** Kits in accordance with the present teachings may also be supplied with other items known in the art and/or which may be desirable from a commercial and user standpoint, such as empty syringes, tubing, gauze, pads, disinfectant solution, cleaning solutions, instructions for performing an SPG nerve block and/or for assembling, using, and/or cleaning the device, and the like, and combinations thereof.

**[0070]** In some embodiments, the instructions may be affixed to one or more components of the device and/or the containers (e.g., vials), or to a larger container in which one or more components of the kit are packaged for shipping. The instructions may also be provided as a separate insert, termed the package insert. Instructional materials provided with kits may be printed (e.g., on paper) and/or supplied in an electronic-readable medium (e.g., floppy disc, CD-ROM, DVD-ROM, zip disc, videotape, audio tape, etc.). Alternatively, instructions may be provided by directing a user to an Internet web site (e.g., specified by the manufacturer or distributor of the kit) and/or via electronic mail.

**[0071]** The following examples illustrate features of the devices and methods described herein and are provided solely by way of illustration. They

-22-

are not intended to limit the scope of the appended claims or their equivalents.

**[0072]** EXAMPLES 1-30

**[0073]** The devices and/or methods described above were applied to the treatment of 30 patients suffering from chronic headaches, such as migraine headaches and tension headaches. The results of this testing are surprising and unexpected. By way of illustration, the methods described above resulted in at least 90% reduction in pain and 100% effective SPG block in 100% of the patients. The onset of pain relief ranged from about 30 seconds to about 60 seconds with a duration of pain relief ranging from about 4 to about 24 hours. Each SPG block was performed using only 0.5 cc or less of an anesthetic mixture containing benzocaine, tetracaine, and ropivacaine in amounts described above. In at least 10 of the patients, the duration of the pain relief achieved in accordance with the present teachings exceeded 24 hours. Overall, extremely effective control of headache pain was observed. Patients were able to return to work and avoid toxic pain medications almost 100% of the time.

**[0074]** The devices and methods described herein are applicable for most patients over the age of 15 in 95 % of the population—regardless of the patient's height, weight, sex or race. Moreover, although it is presently believed that the devices and methods described herein will primarily be used in the treatment of human patients, these devices and methods can also be applied in the treatment of all manner of non-human patients. Any non-human patient having a nostril (e.g., other mammals such as primates, dogs, cats, pigs, horses, cows, and the like, as well as non-mammals) can likewise be treated (e.g., by a veterinarian) according to the principles set forth herein.

**[0075]** In summary, devices and methods for providing safer and more effective relief from the pain associated with headaches, facial aches, and the like has been described. The devices and methods are economical and can readily be used on patients by trained medical professionals as well as by the patients themselves without supervision from a medical specialist to provide reliable and replicable delivery of medicament to a target location. In some

-23-

embodiments, the devices and methods described herein may be self-employed by patients twice hourly or as needed.

**[0076]** In use, the optional handle **20** of the devices **10** described herein can be pushed towards the patient's face until introducer **18** snugly and comfortably engages and fits within the patient's nostril to lift the flat tip of the patient's nose to point superiorly and slightly posteriorly. Thereafter, the injector **12** can be pushed posteriorly towards the patient's nose to slide tubular section **24** and nozzle **28** rearwardly until nozzle **28** is located medially and/or posteriorly and/or inferiorly to the SPG—medially and/or inferiorly in some embodiments, and medially, inferiorly, and posteriorly in other embodiments. Thereafter, a medicament such as an anesthetic can be injected and sprayed through apertures **36** of nozzle **28** upwardly and/or laterally and/or anteriorly towards and about the SPG to ameliorate pain—laterally and/or upwardly in some embodiments, and laterally, upwardly, and anteriorly in other embodiments. When an appropriate anesthetic is sprayed onto the SPG, rapid and prolonged vasoconstriction of the blood vessels in the ipsilateral head or brain can be achieved resulting thereafter in effective pain management.

**[0077]** The foregoing detailed description and accompanying drawings have been provided by way of explanation and illustration, and are not intended to limit the scope of the appended claims. Many variations in the presently preferred embodiments illustrated herein will be apparent to one of ordinary skill in the art, and remain within the scope of the appended claims and their equivalents.

## Claims:

1. A device (54) for delivering a medicament to a patient in need thereof comprising:
  - an injector (56) comprising a first end (58) configured to remain outside a nasal passage of the patient and a second end (60) configured for entry into the nasal passage of the patient; and
  - an introducer (62) configured for engagement with a nostril of the patient, wherein the introducer comprises a passageway (64) configured for slidably receiving the injector, and the passageway slidably receiving a syringe within the introducer, and
  - wherein the introducer comprises a curvature along a portion thereof adjacent to and surrounding a distal length of the passageway, wherein the injector is moveable, relative to the introducer, between a storage position and an engaging position;
  - a housing (70) of the introducer, wherein a first end of the housing is configured to remain outside a nasal passage of the patient and wherein a second end of the housing comprises the curvature portion of the introducer.
2. The device of claim 1 wherein the injector comprises a flexible tube configured to adopt at least a portion of the curvature of the passageway.
3. The device of claim 1 or 2 wherein the injector comprises one or a plurality of apertures along a side of the flexible tube adjacent to the second end.
4. The device of claim 1 wherein the device further comprises a hub (66) coupled to the injector, wherein the hub is configured for connection to a syringe.

5. The device of claim 4 wherein a proximal end of the hub is configured to remain outside the housing prior to connection to the syringe and is configured to enter the housing substantially irreversibly when pushed in an axial direction towards the introducer.
6. The device of claim 4 wherein the hub comprises a luer lock.
7. The device of claim 4 wherein the hub comprises a stop bar (68) and wherein the housing comprises a keyed slot (72) configured to receive the stop bar.
8. The device of claim 7 wherein the housing further comprises a lip (74) configured to prevent retraction of the hub from an interior of the housing.
9. The device of claim 5 wherein the hub is configured to rotate between a predetermined range of angles when positioned substantially within the housing but is substantially prevented from rotating when positioned substantially outside the housing.
10. The device of claim 9 wherein the predetermined range of angles over which the hub is configured to rotate comprises about a 45 degree clockwise rotation and about a 45 degree counterclockwise rotation.
11. The device of claim 9 wherein the hub comprises a stop bar and wherein the housing comprises a ledge configured to abut against the stop bar on first and second opposing sides thereof.
12. A device (54) for delivering a medicament to a patient in need thereof comprising:  
an injector (56) comprising:

a first, proximal, end including a hub (66) with a syringe-attachment Luer structure, said first end configured to remain outside a nasal passage of the patient;

a second, distal, end (60) configured for entry into the nasal passage of the patient; and

a tubular injector body (58) between the first end and second end; and  
an introducer (62) configured for engagement with a nostril of the patient, wherein the introducer comprises an introducer passageway (64) configured for slidably receiving the injector, where the introducer passageway slidably receives a syringe barrel when a hub-attached syringe is advanced distally within the introducer;

wherein the introducer comprises a curvature along a distal portion thereof that surrounds and defines a distal longitudinal curvature of the passageway, wherein the injector is moveable, relative to the introducer, between a storage position and an engaging position;

wherein the hub comprises a radially-extending stop bar (74) and wherein an inward-facing surface of the introducer passageway comprises a pair of substantially parallel longitudinal ledges (78) configured to abut against and be tracked along by the stop bar on first and second opposing sides of the stop bar, where said ledges provide for a first longitudinal linear path and a second longitudinal linear path, each parallel to the other and to a central longitudinal axis, separated radially from each other by a predetermined number of degrees of rotation corresponding to a desired medicament delivery angle;

wherein the length of the ledges corresponds to at least a portion of longitudinal distance between the storage position and the engaging position of the injector relative to the introducer; and

wherein the tubular injector body comprises one or a plurality of apertures along a side of the flexible tube adjacent to the second end.

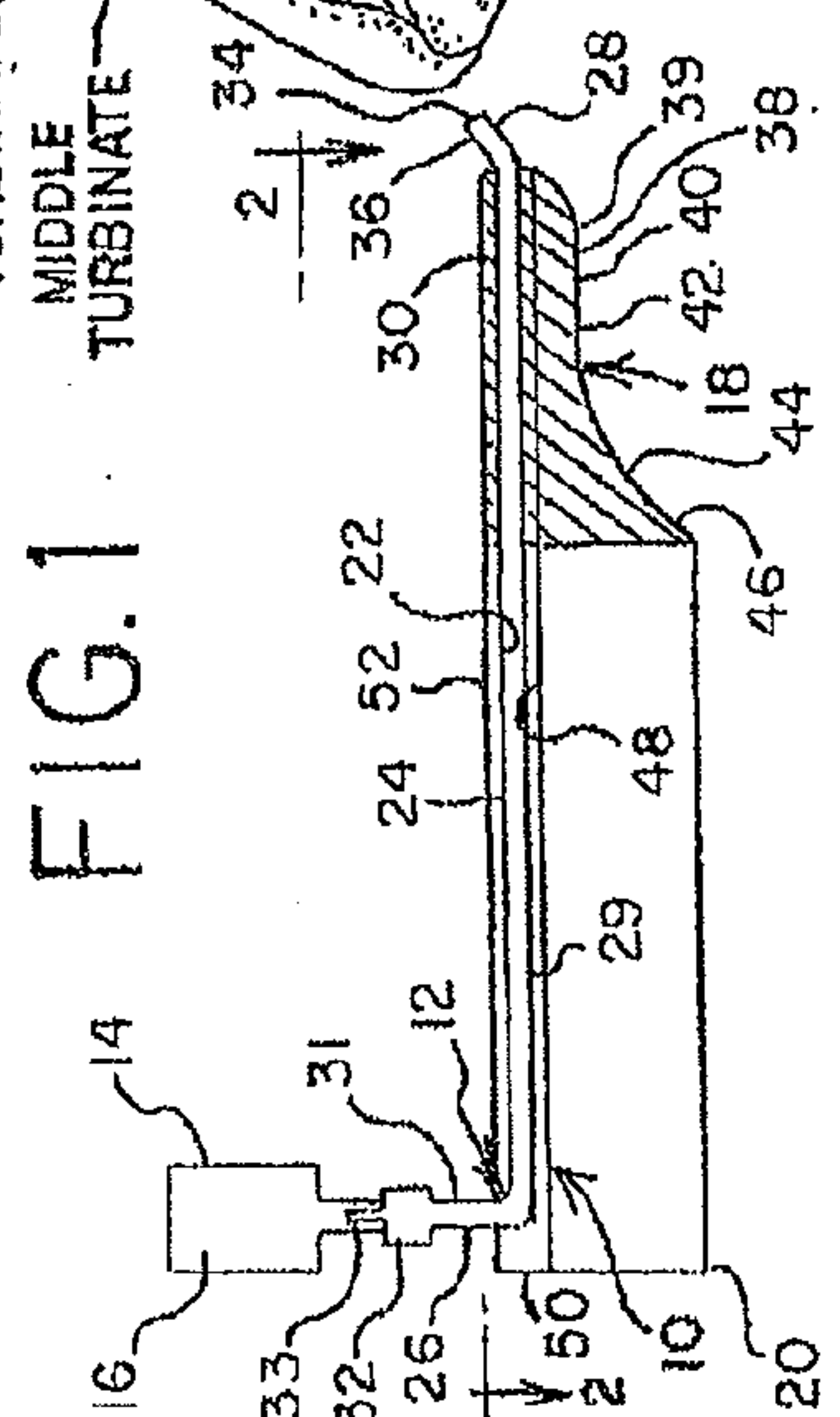
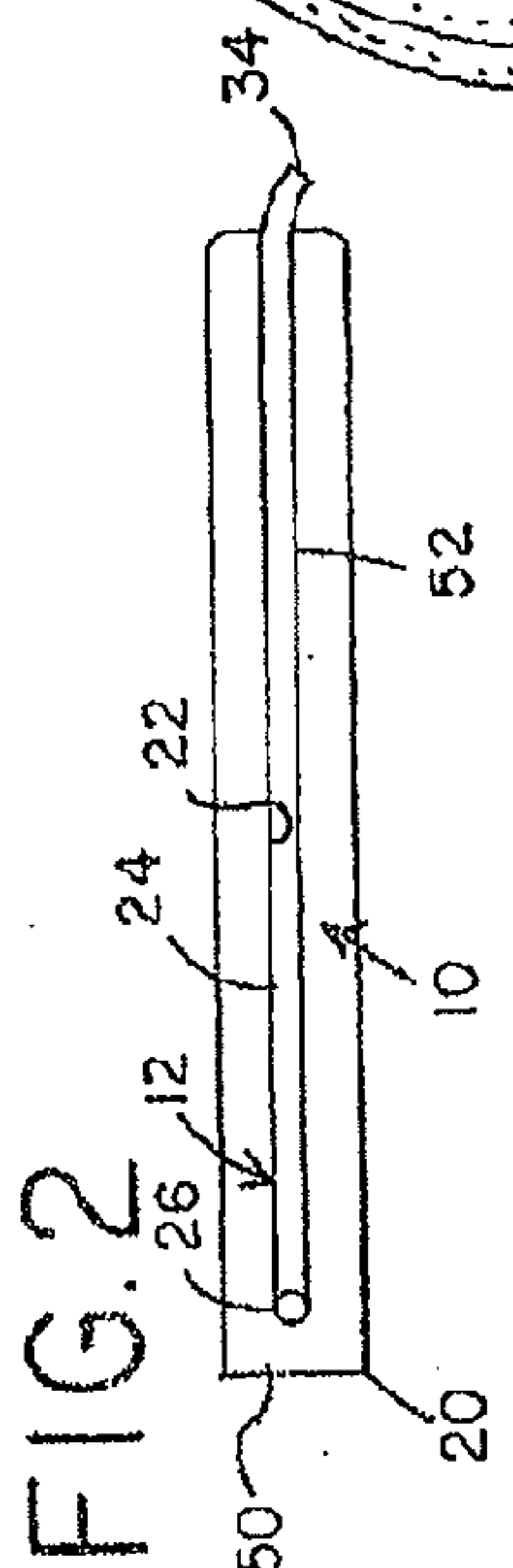
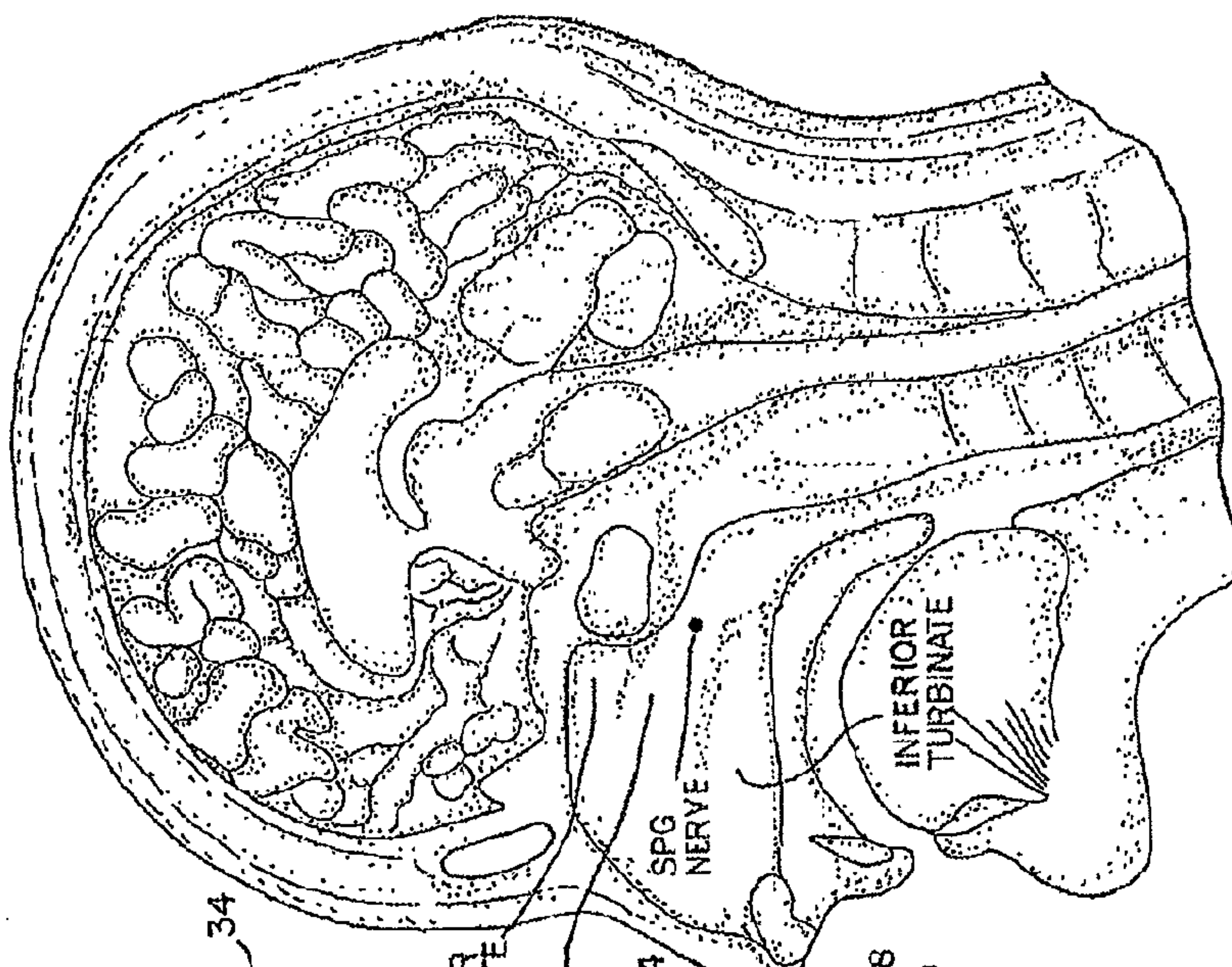


FIG. 2

FIG. 1

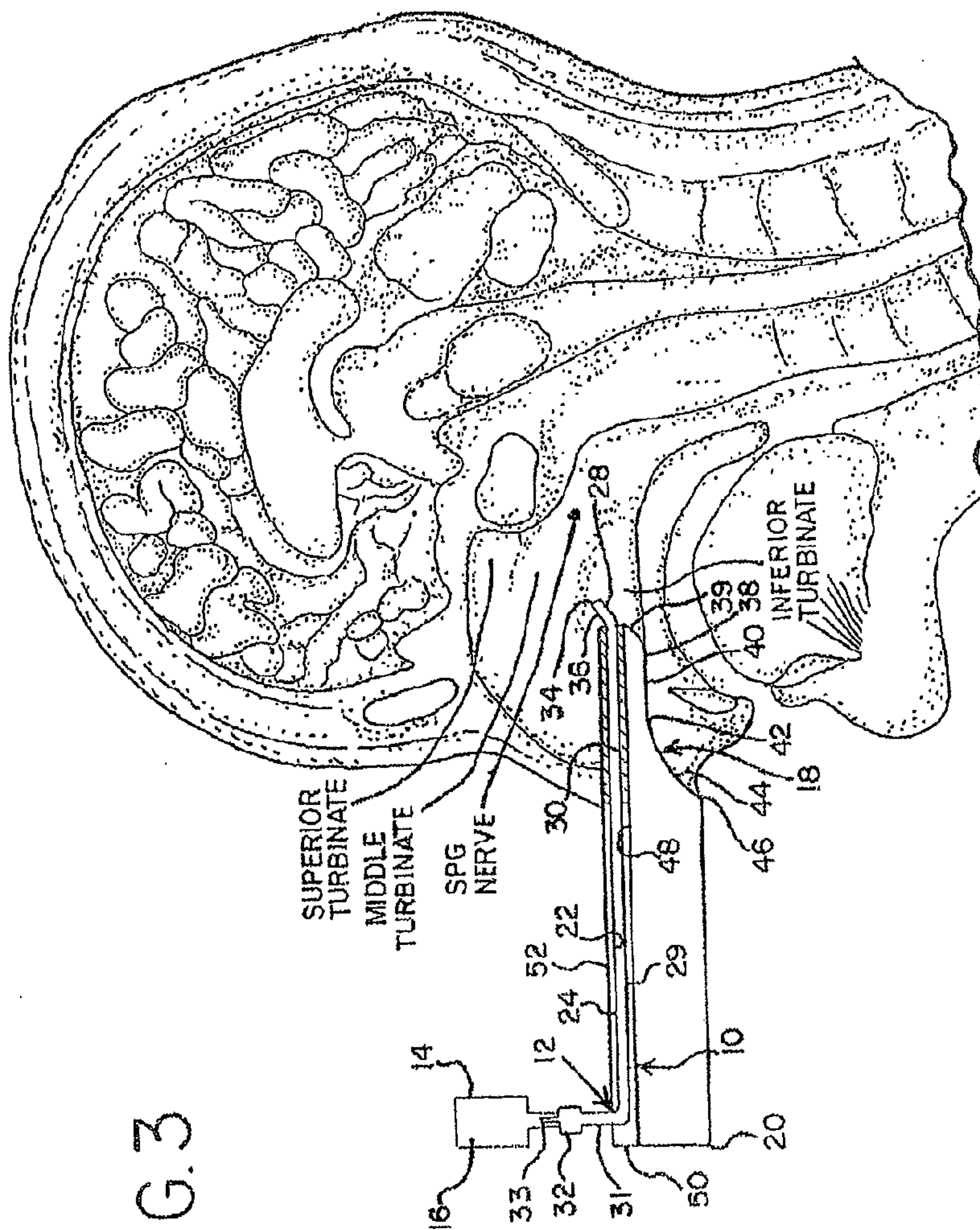
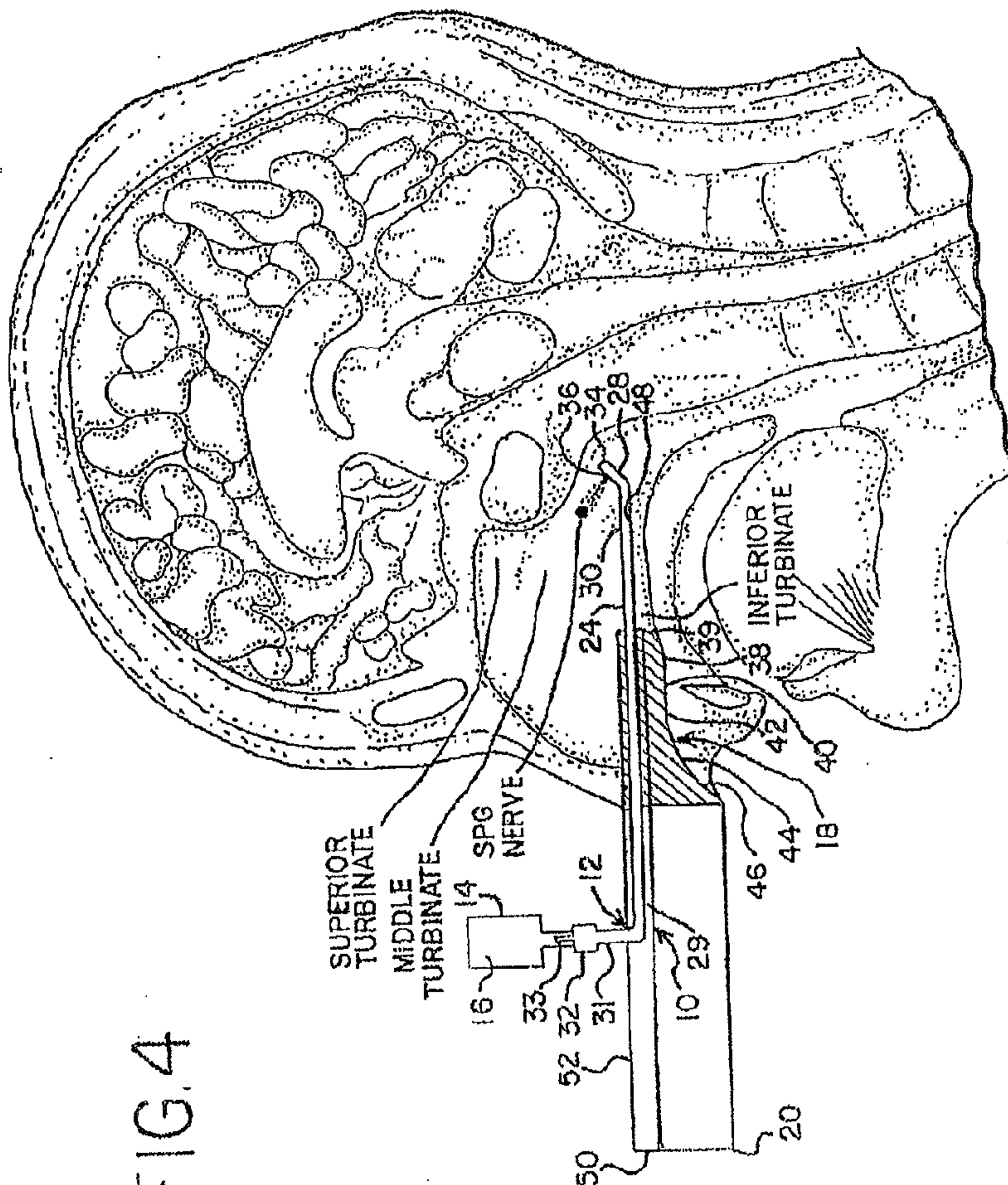
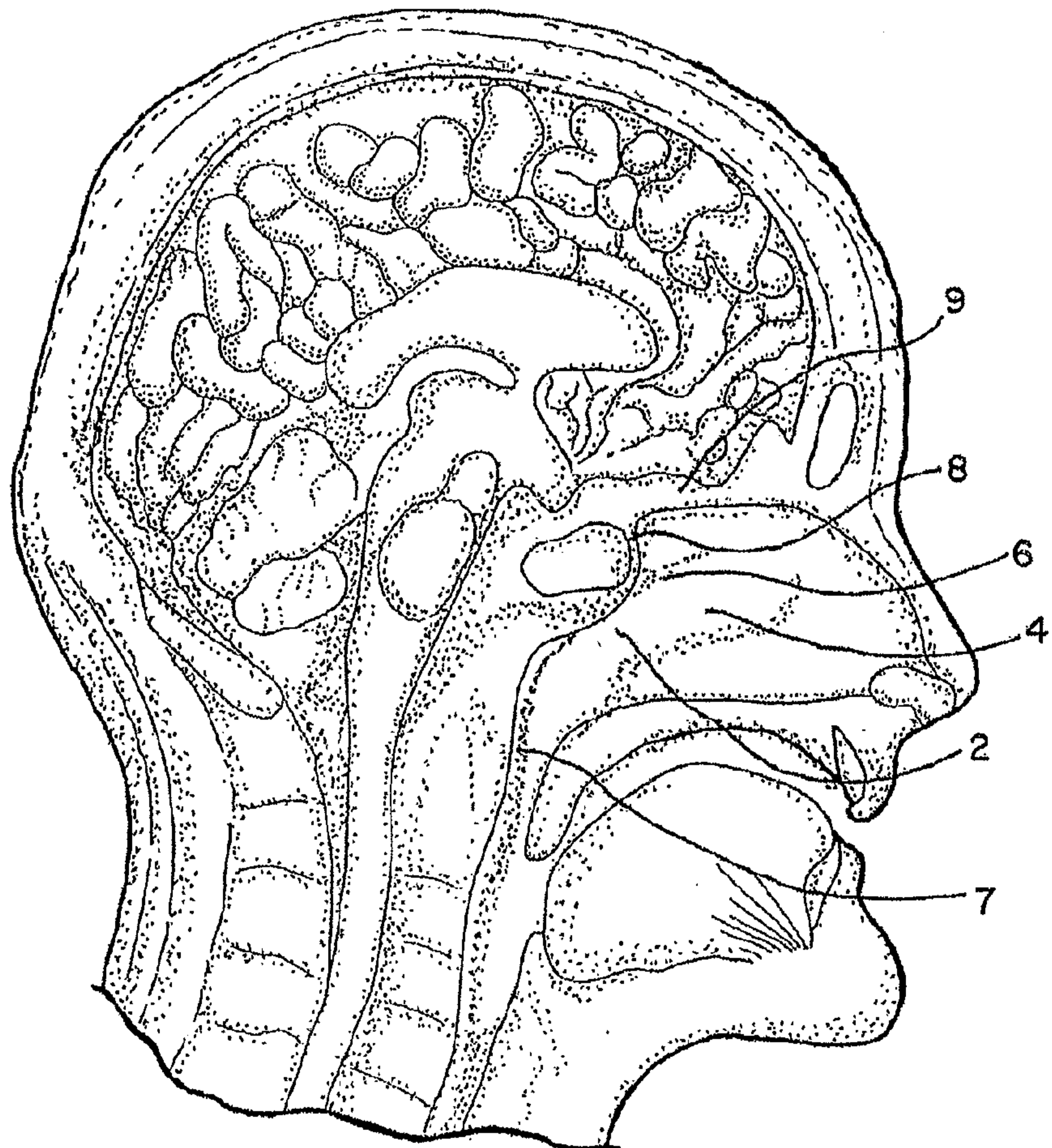


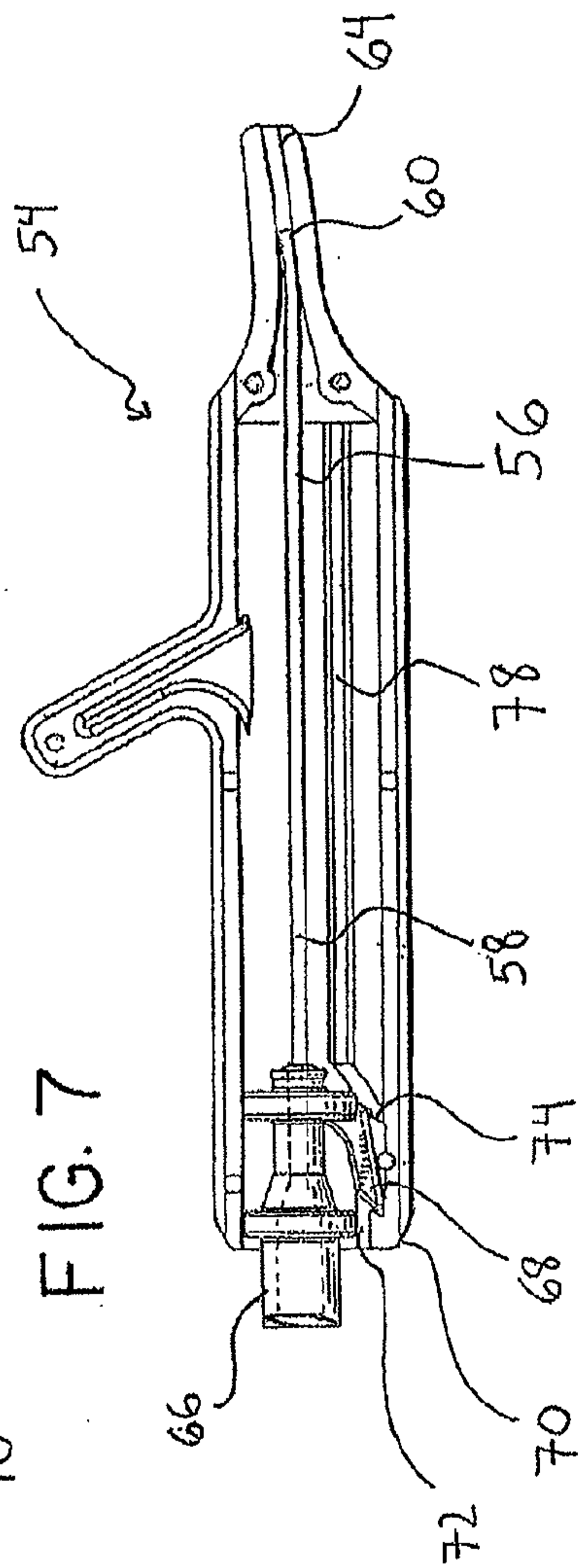
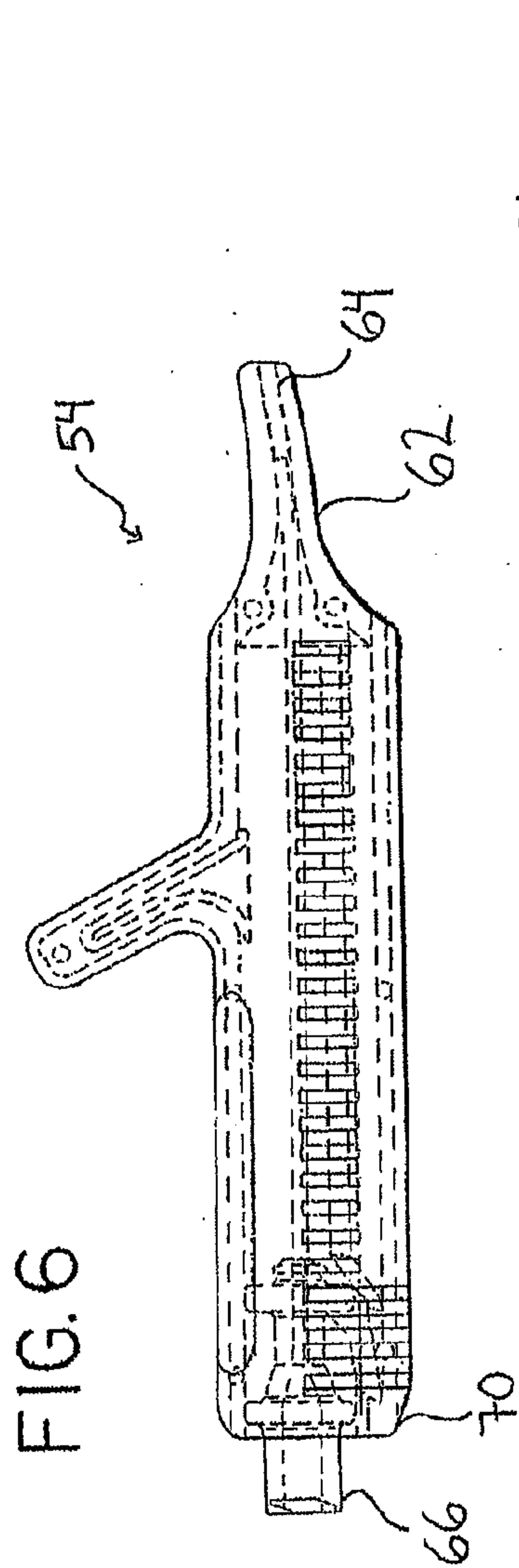
FIG.3

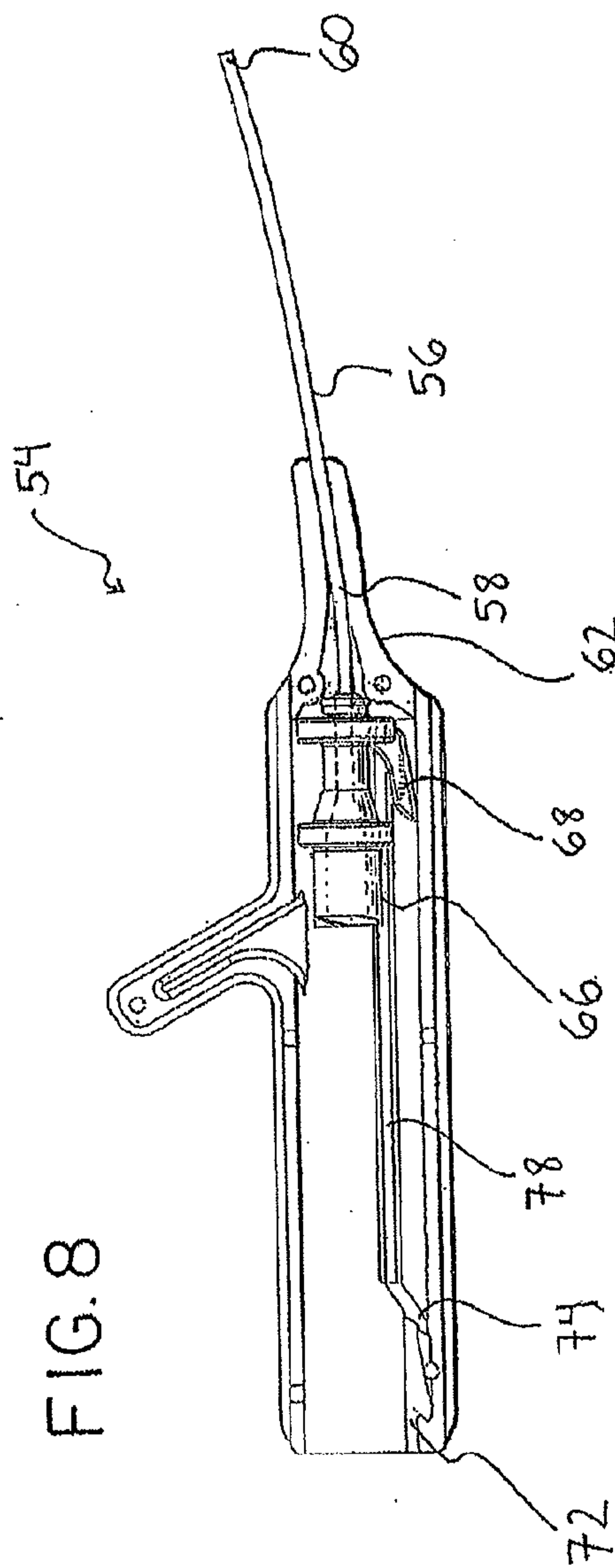


4/7

FIG. 5







717

