



US00D721088S

(12) **United States Design Patent**
Barling et al.

(10) **Patent No.:** **US D721,088 S**

(45) **Date of Patent:** **** Jan. 13, 2015**

(54) **DISPLAY SCREEN WITH GRAPHICAL USER INTERFACE**

(71) Applicant: **Microsoft Corporation**, Redmond, WA (US)

(72) Inventors: **Nicholas R. Barling**, Redmond, WA (US); **Charla Pereira**, Seattle, WA (US)

(73) Assignee: **Microsoft Corporation**, Redmond, WA (US)

(**) Term: **14 Years**

(21) Appl. No.: **29/453,600**

(22) Filed: **Apr. 30, 2013**

(51) **LOC (10) Cl.** **14-04**

(52) **U.S. Cl.**

USPC **D14/485**

(58) **Field of Classification Search**

CPC G06F 3/0481; G06F 3/0482; G06F 3/0483;
G06F 3/0486; G06F 3/0487

USPC D14/485-495

See application file for complete search history.

(56) **References Cited**

U.S. PATENT DOCUMENTS

D396,455 S *	7/1998	Bier	D14/489
D416,550 S *	11/1999	Richter	D14/489
D458,611 S *	6/2002	Gallo	D14/485
D461,822 S *	8/2002	Okuley	D14/489
6,448,987 B1 *	9/2002	Easty et al.	715/834
D474,197 S *	5/2003	Nguyen	D14/486
D493,177 S *	7/2004	Retuta et al.	D14/486
D500,766 S *	1/2005	Hanisch et al.	D14/489
D505,135 S *	5/2005	Sapp et al.	D14/489
D507,002 S *	7/2005	Retuta et al.	D14/486
D511,524 S *	11/2005	Retuta et al.	D14/486
D523,441 S *	6/2006	Sapp et al.	D14/486
D529,038 S *	9/2006	Sapp et al.	D14/486
D534,541 S *	1/2007	Retuta et al.	D14/486

D534,915 S *	1/2007	Retuta et al.	D14/486
D544,495 S *	6/2007	Evans et al.	D14/488
D549,713 S *	8/2007	Lewin et al.	D14/485
D550,696 S *	9/2007	Kortum et al.	D14/491
D554,659 S *	11/2007	Hoover et al.	D14/487
D554,660 S *	11/2007	Hoover et al.	D14/487
D554,661 S *	11/2007	Hoover et al.	D14/487
D574,395 S *	8/2008	Loretan et al.	D14/487
D590,838 S *	4/2009	Bisig et al.	D14/492
D591,305 S *	4/2009	Shimoda	D14/485
D593,107 S *	5/2009	Shimoda et al.	D14/485
D595,311 S *	6/2009	Ozzie et al.	D14/489
D601,571 S *	10/2009	Vu et al.	D14/485
D602,033 S *	10/2009	Vu et al.	D14/485

(Continued)

OTHER PUBLICATIONS

William Baxter and Naga Govindaraju, Simple Data-Driven Modeling of Brushes, published Feb. 2010, by Association for Computing Machinery, Inc., USA [online]. [retrieved Jul. 16, 2013]. Retrieved from Internet, URL: <<http://research.microsoft.com/apps/pubs/default.aspx?id=120512>>.

(Continued)

Primary Examiner — Kevin Rudzinski

(74) *Attorney, Agent, or Firm* — Banner & Witcoff, Ltd.

(57) **CLAIM**

The ornamental design for a display screen with graphical user interface, as shown and described.

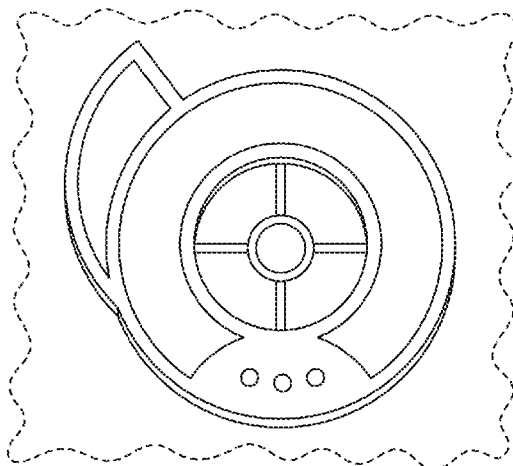
DESCRIPTION

FIG. 1 is a front view of a display screen with graphical user interface showing my new design; and,

FIG. 2 is a front view of a display screen with graphical user interface showing an alternative embodiment of my new design.

The broken line showing of the remainder of the display screen is for environmental purposes only and forms no part of the claimed design.

1 Claim, 2 Drawing Sheets



(56)

References Cited

U.S. PATENT DOCUMENTS

D606,091 S * 12/2009 O'Donnell et al. D14/489
 D607,007 S * 12/2009 Kocmick D14/489
 D611,952 S * 3/2010 Berg et al. D14/489
 D612,399 S * 3/2010 Fletcher et al. D14/492
 D614,192 S * 4/2010 Takano et al. D14/486
 D619,614 S * 7/2010 O'Mullan et al. D14/489
 D623,658 S * 9/2010 Fitzmaurice et al. D14/489
 D624,933 S * 10/2010 Fitzmaurice et al. D14/489
 D625,319 S * 10/2010 Allen et al. D14/485
 D625,327 S * 10/2010 Fitzmaurice et al. D14/489
 D625,328 S * 10/2010 Fitzmaurice et al. D14/489
 D627,360 S * 11/2010 Aarseth D14/485
 D630,646 S * 1/2011 Wilson D14/487
 D630,647 S * 1/2011 Wilson D14/487
 D635,988 S * 4/2011 Mays et al. D14/487
 D644,243 S * 8/2011 Matas D14/489
 D645,470 S * 9/2011 Matas D14/489
 D665,163 S * 8/2012 Leifeld et al. D3/203.2
 D668,673 S * 10/2012 Molino et al. D14/489
 D684,585 S * 6/2013 Plesnicher et al. D14/486
 D684,586 S * 6/2013 Plesnicher et al. D14/486
 D684,587 S * 6/2013 Plesnicher et al. D14/486
 D695,757 S * 12/2013 Ray et al. D14/486
 D697,071 S * 1/2014 Brinda D14/485
 D697,076 S * 1/2014 Oda et al. D14/486
 D699,248 S * 2/2014 Pearson et al. D14/485
 D699,251 S * 2/2014 Rao et al. D14/486
 D699,737 S * 2/2014 Pearson et al. D14/486

D699,745 S * 2/2014 Pearson et al. D14/488
 D699,746 S * 2/2014 Pearson et al. D14/488
 D699,747 S * 2/2014 Pearson et al. D14/488
 D699,748 S * 2/2014 Pearson et al. D14/488
 D699,749 S * 2/2014 Pearson et al. D14/488
 D699,750 S * 2/2014 Pearson et al. D14/488
 D700,207 S * 2/2014 Pearson et al. D14/488
 D702,251 S * 4/2014 Kotler et al. D14/487
 D702,707 S * 4/2014 Kotler et al. D14/487
 D704,213 S * 5/2014 Agnew D14/487
 D710,367 S * 8/2014 Quattrocchi D14/485
 D711,904 S * 8/2014 Sundry et al. D14/486
 D711,905 S * 8/2014 Morrison et al. D14/486
 2005/0010955 A1 * 1/2005 Elia et al. 725/88

OTHER PUBLICATIONS

Nelson Chu et al., Detail Preserving Paint Modeling for 3D Brushes, published Jun. 7, 2010, by Association for Computing Machinery, Inc., USA [online]. [retrieved Jul. 16, 2013]. Retrieved from Internet, URL: <<http://research.microsoft.com/apps/pubs/default.aspx?id=121930>>.
 Project Gustav: Immersive Digital Painting, published Mar. 2, 2010, by Microsoft Corporation, Redmond, WA, USA [online]. [retrieved Jul. 16, 2013]. Retrieved from Internet, URL: <<http://research.microsoft.com/en-us/projects/gustav/default.aspx>>.
 Screenshots of Microsoft Paint program, published by Microsoft Corporation, Redmond, WA, USA. Print date Jul. 16, 2013. Date released unknown, but prior to the filing of the present application.

* cited by examiner

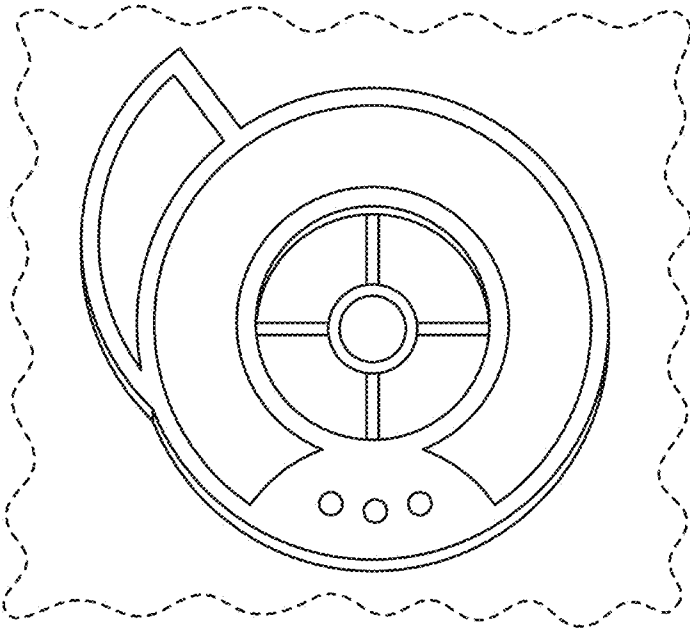


FIG. 1

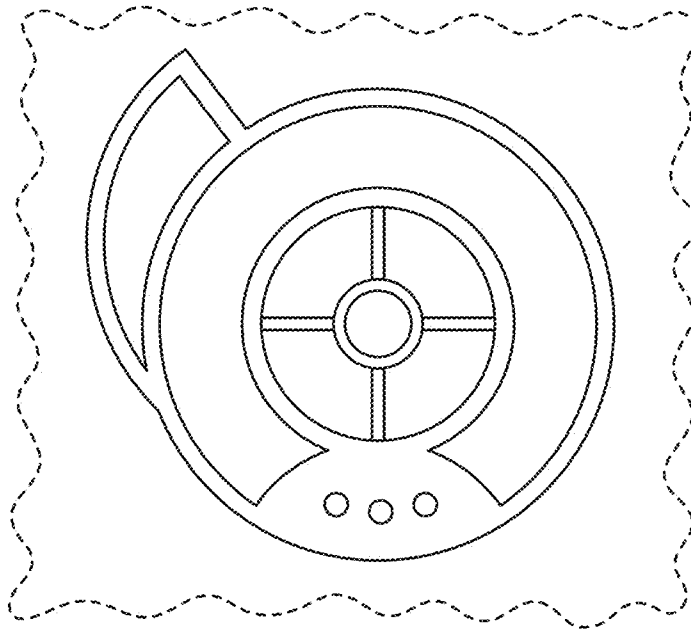


FIG. 2