



- (51) International Patent Classification:
E21B 37/00 (2006.01) E21B 19/08 (2006.01)
E21B 19/22 (2006.01)
- (21) International Application Number:
PCT/GB2012/050811
- (22) International Filing Date:
12 April 2012 (12.04.2012)
- (25) Filing Language: English
- (26) Publication Language: English
- (30) Priority Data:
1106192.6 12 April 2011 (12.04.2011) GB
- (71) Applicant (for all designated States except US):
PARADIGM FLOW SERVICES LIMITED [GB/GB]; 7
Queens Terrace, Aberdeen, Aberdeenshire AB10 1XL
(GB).
- (71) Applicant (for US only): **BAIN, Robert** [GB/GB]; c/o
Paradigm Flow Services Limited, 7 Queens Terrace, Aber-
deen, Aberdeenshire AB10 1XL (GB).
- (72) Inventor; and
- (75) Inventor/Applicant (for US only): **MACKENZIE, Hugh**
[GB/GB]; c/o Paradigm Flow Services Limited, 7 Queens
Terrace, Aberdeen, Aberdeenshire AB10 1XL (GB).
- (74) Agent: **LINCOLN IP**; 9 Victoria Street, Aberdeen, Aber-
deenshire AB10 1XB (GB).

- (81) Designated States (unless otherwise indicated, for every kind of national protection available): AE, AG, AL, AM, AO, AT, AU, AZ, BA, BB, BG, BH, BR, BW, BY, BZ, CA, CH, CL, CN, CO, CR, CU, CZ, DE, DK, DM, DO, DZ, EC, EE, EG, ES, FI, GB, GD, GE, GH, GM, GT, HN, HR, HU, ID, IL, IN, IS, JP, KE, KG, KM, KN, KP, KR, KZ, LA, LC, LK, LR, LS, LT, LU, LY, MA, MD, ME, MG, MK, MN, MW, MX, MY, MZ, NA, NG, NI, NO, NZ, OM, PE, PG, PH, PL, PT, QA, RO, RS, RU, RW, SC, SD, SE, SG, SK, SL, SM, ST, SV, SY, TH, TJ, TM, TN, TR, TT, TZ, UA, UG, US, UZ, VC, VN, ZA, ZM, ZW.
- (84) Designated States (unless otherwise indicated, for every kind of regional protection available): ARIPO (BW, GH, GM, KE, LR, LS, MW, MZ, NA, RW, SD, SL, SZ, TZ, UG, ZM, ZW), Eurasian (AM, AZ, BY, KG, KZ, MD, RU, TJ, TM), European (AL, AT, BE, BG, CH, CY, CZ, DE, DK, EE, ES, FI, FR, GB, GR, HR, HU, IE, IS, IT, LT, LU, LV, MC, MK, MT, NL, NO, PL, PT, RO, RS, SE, SI, SK, SM, TR), OAPI (BF, BJ, CF, CG, CI, CM, GA, GN, GQ, GW, ML, MR, NE, SN, TD, TG).

- Published:**
- with international search report (Art. 21(3))
 - before the expiration of the time limit for amending the claims and to be republished in the event of receipt of amendments (Rule 48.2(h))
- (88) Date of publication of the international search report:
26 September 2013

(54) Title: METHOD AND APPARATUS FOR CLEANING FLUID CONDUITS

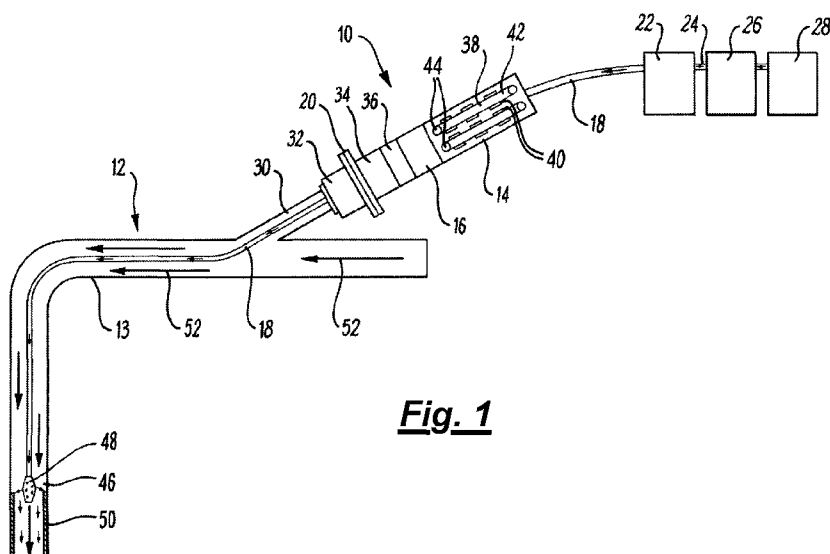


Fig. 1

(57) Abstract: A method of cleaning a fluid conduit in a hydrocarbon production installation is described. The method comprises introducing a flexible hose into a fluid conduit system through a pressure control device, and running the flexible hose into a conduit to be cleaned while a fluid stream flows in the conduit. At least one substance is cleaned from the conduit by pumping a cleaning fluid into a bore of the flexible hose and expelling the cleaning fluid from the flexible hose into the conduit through at least one outlet in the flexible hose. The substance is carried the at least one substance in the fluid stream to a conduit outlet.

WO 2012/140432 A3

INTERNATIONAL SEARCH REPORT

International application No
PCT/GB2012/050811

A. CLASSIFICATION OF SUBJECT MATTER
INV. E21B37/00 E21B19/22 E21B19/08
ADD.

According to International Patent Classification (IPC) or to both national classification and IPC

B. FIELDS SEARCHED

Minimum documentation searched (classification system followed by classification symbols)
E21B

Documentation searched other than minimum documentation to the extent that such documents are included in the fields searched

Electronic data base consulted during the international search (name of data base and, where practicable, search terms used)

EPO-Internal, WPI Data

C. DOCUMENTS CONSIDERED TO BE RELEVANT

Category*	Citation of document, with indication, where appropriate, of the relevant passages	Relevant to claim No.
X	US 6 170 577 B1 (NOLES JR JERRY W [US] ET AL) 9 January 2001 (2001-01-09) column 7, line 15 - line 54; figures 1-4 column 9, line 24 - column 10, line 61; figures 1-4 column 12, line 65 - column 13, line 60; figures 1-4	1-45
X	----- US 2004/040749 A1 (TERRY JAMES B [US] ET AL) 4 March 2004 (2004-03-04) paragraphs [0093], [0094], [0107]; figures 11a, 11b	1,9
X	----- US 5 033 545 A (SUDOL TAD A [CA]) 23 July 1991 (1991-07-23) column 4, line 51 - column 5, line 24; figure 3	1,9
	----- -/--	

Further documents are listed in the continuation of Box C.

See patent family annex.

* Special categories of cited documents :

"A" document defining the general state of the art which is not considered to be of particular relevance

"E" earlier application or patent but published on or after the international filing date

"L" document which may throw doubts on priority claim(s) or which is cited to establish the publication date of another citation or other special reason (as specified)

"O" document referring to an oral disclosure, use, exhibition or other means

"P" document published prior to the international filing date but later than the priority date claimed

"T" later document published after the international filing date or priority date and not in conflict with the application but cited to understand the principle or theory underlying the invention

"X" document of particular relevance; the claimed invention cannot be considered novel or cannot be considered to involve an inventive step when the document is taken alone

"Y" document of particular relevance; the claimed invention cannot be considered to involve an inventive step when the document is combined with one or more other such documents, such combination being obvious to a person skilled in the art

"&" document member of the same patent family

Date of the actual completion of the international search	Date of mailing of the international search report
8 July 2013	16/07/2013

Name and mailing address of the ISA/ European Patent Office, P.B. 5818 Patentlaan 2 NL - 2280 HV Rijswijk Tel. (+31-70) 340-2040, Fax: (+31-70) 340-3016	Authorized officer Strømmen, Henrik
--	--

INTERNATIONAL SEARCH REPORT

International application No

PCT/GB2012/050811

C(Continuation). DOCUMENTS CONSIDERED TO BE RELEVANT		
Category*	Citation of document, with indication, where appropriate, of the relevant passages	Relevant to claim No.
X	WO 2008/033738 A2 (THRUBIT LLC [US]) 20 March 2008 (2008-03-20) page 6, line 1 - line 21; figure 1a page 22, line 11 - line 17 -----	31-45

INTERNATIONAL SEARCH REPORT

Information on patent family members

International application No

PCT/GB2012/050811

Patent document cited in search report	Publication date	Patent family member(s)	Publication date	
US 6170577	B1	09-01-2001	US 6170577 B1	09-01-2001
			US 6325305 B1	04-12-2001

US 2004040749	A1	04-03-2004	AU 2003256414 A1	19-03-2004
			BR 0313778 A	18-10-2005
			CA 2497314 A1	11-03-2004
			GB 2409226 A	22-06-2005
			MX PA05002268 A	08-06-2005
			US 2004040749 A1	04-03-2004
			WO 2004020775 A2	11-03-2004

US 5033545	A	23-07-1991	CA 1325969 C	11-01-1994
			US 5033545 A	23-07-1991

WO 2008033738	A2	20-03-2008	CA 2663495 A1	20-03-2008
			CN 101578425 A	11-11-2009
			EA 200900447 A1	30-12-2009
			EP 2064409 A2	03-06-2009
			EP 2078820 A2	15-07-2009
			US 2008066905 A1	20-03-2008
			US 2008066961 A1	20-03-2008
			WO 2008033738 A2	20-03-2008
