

(19) World Intellectual Property Organization
International Bureau



(43) International Publication Date
26 July 2007 (26.07.2007)

PCT

(10) International Publication Number
WO 2007/084483 A3

(51) International Patent Classification:
F25D 3/08 (2006.01)

(21) International Application Number:
PCT/US2007/001094

(22) International Filing Date: 16 January 2007 (16.01.2007)

(25) Filing Language: English

(26) Publication Language: English

(30) Priority Data:
60/758,807 13 January 2006 (13.01.2006) US

(71) Applicants (for all designated States except US): **PRESIDENT AND FELLOWS OF HARVARD COLLEGE** [US/US]; 17 Quincy Street, Cambridge, MA 02138 (US). **NORTHEASTERN UNIVERSITY** [US/US]; 360 Huntington Avenue, Boston, MA 02115 (US).

(72) Inventors; and

(75) Inventors/Applicants (for US only): **LARSON, Dale** [US/US]; 51 Avalon Road, Waban, MA 02468 (US). **RUBERTI, Jeffrey** [US/US]; 47 School St., Lexington, MA 02421 (US). **SLUSARZ, John**; 125 Peterborough St. Apt. 27, Boston, MA 02215 (US). **GOULAS, Nicholas**; 20 Blacksmith Lane, Tewksbury, MA 01876 (US). **RUSH, Erin**; 42 Jackson St., Ansonia, CT 06401 (US). **EHRET, Trevor**; 1025 Ackerman Ave., Syracuse, NY 13210 (US).

(74) Agents: **GUTERMAN, Sonia, K.** et al.; Lawson & Weitzen, LLP, 88 Black Falcon Ave., Suite 345, Boston, MA 02210-2414 (US).

(81) Designated States (unless otherwise indicated, for every kind of national protection available): AE, AG, AL, AM, AT, AU, AZ, BA, BB, BG, BR, BW, BY, BZ, CA, CH, CN, CO, CR, CU, CZ, DE, DK, DM, DZ, EC, EE, EG, ES, FI, GB, GD, GE, GH, GM, GT, HN, HR, HU, ID, IL, IN, IS, JP, KE, KG, KM, KN, KP, KR, KZ, LA, LC, LK, LR, LS, LT, LU, LV, LY, MA, MD, MG, MK, MN, MW, MX, MY, MZ, NA, NG, NI, NO, NZ, OM, PG, PH, PL, PT, RO, RS, RU, SC, SD, SE, SG, SK, SL, SM, SV, SY, TJ, TM, TN, TR, TT, TZ, UA, UG, US, UZ, VC, VN, ZA, ZM, ZW.

(84) Designated States (unless otherwise indicated, for every kind of regional protection available): ARIPO (BW, GH, GM, KE, LS, MW, MZ, NA, SD, SL, SZ, TZ, UG, ZM, ZW), Eurasian (AM, AZ, BY, KG, KZ, MD, RU, TJ, TM), European (AT, BE, BG, CH, CY, CZ, DE, DK, EE, ES, FI, FR, GB, GR, HU, IE, IS, IT, LT, LU, LV, MC, NL, PL, PT, RO, SE, SI, SK, TR), OAPI (BF, BJ, CF, CG, CI, CM, GA, GN, GQ, GW, ML, MR, NE, SN, TD, TG).

Published:

- with international search report
- before the expiration of the time limit for amending the claims and to be republished in the event of receipt of amendments

(88) Date of publication of the international search report:
6 November 2008

(15) Information about Correction:
Previous Correction:
see Notice of 11 October 2007

(54) Title: SYSTEMS, METHODS, AND DEVICES FOR FROZEN SAMPLE DISTRIBUTION

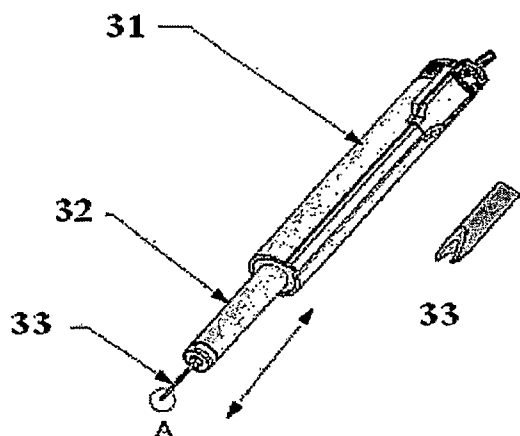


Figure 3

(57) Abstract: A drilling system including a motor that produces a sonic, linear oscillatory motion is provided for removing a frozen biological sample from a stored frozen specimen and methods of use thereof without thawing the remainder of the specimen. The stator and slider assembly is operated by a servo controller which can communicate and be programmed through a port of a PC equipped with software.

WO 2007/084483 A3

INTERNATIONAL SEARCH REPORT

International application No.

PCT/US07/01094

A. CLASSIFICATION OF SUBJECT MATTER IPC: F25D 3/08(2006.01) USPC: 62/1 According to International Patent Classification (IPC) or to both national classification and IPC		
B. FIELDS SEARCHED Minimum documentation searched (classification system followed by classification symbols) U.S. : 62/1; 119/6.8 Documentation searched other than minimum documentation to the extent that such documents are included in the fields searched Electronic data base consulted during the international search (name of data base and, where practicable, search terms used) EAST Data Base		
C. DOCUMENTS CONSIDERED TO BE RELEVANT		
Category *	Citation of document, with indication, where appropriate, of the relevant passages	Relevant to claim No.
X, Y	VAN DEN HOUDT, ANDREAS (US 2003/0152886) 14 August 2003 (14.8.2003) All	1-5 and 18-23
Y	WILLIAMSON, ET AL. (US 2007/0166834) 19 July 2007 Fig. 23, 24	18-23
<input type="checkbox"/> Further documents are listed in the continuation of Box C. <input type="checkbox"/> See patent family annex.		
* Special categories of cited documents:		
"A"	document defining the general state of the art which is not considered to be of particular relevance	"T" later document published after the international filing date or priority date and not in conflict with the application but cited to understand the principle or theory underlying the invention
"E"	earlier application or patent published on or after the international filing date	"X" document of particular relevance; the claimed invention cannot be considered novel or cannot be considered to involve an inventive step when the document is taken alone
"L"	document which may throw doubts on priority claim(s) or which is cited to establish the publication date of another citation or other special reason (as specified)	"Y" document of particular relevance; the claimed invention cannot be considered to involve an inventive step when the document is combined with one or more other such documents, such combination being obvious to a person skilled in the art
"O"	document referring to an oral disclosure, use, exhibition or other means	"&" document member of the same patent family
"P"	document published prior to the international filing date but later than the priority date claimed	
Date of the actual completion of the international search 24 July 2008 (24.7.2008)	Date of mailing of the international search report 04 SEP 2008	
Name and mailing address of the ISA/US Mail Stop PCT, Attn: ISA/US Commissioner for Patents P.O. Box 1450 Alexandria, Virginia 22313-1450 Facsimile No. (571) 273-3201	Authorized officer Cheryl J Tyler <i>Cheryl J Tyler</i> Telephone No. 571-272-4834 <i>JT</i>	

INTERNATIONAL SEARCH REPORT

International application No.

PCT/US07/01094

Box No. II Observations where certain claims were found unsearchable (Continuation of item 2 of first sheet)

This international search report has not been established in respect of certain claims under Article 17(2)(a) for the following reasons:

1. Claims Nos.:
because they relate to subject matter not required to be searched by this Authority, namely:

2. Claims Nos.:
because they relate to parts of the international application that do not comply with the prescribed requirements to such an extent that no meaningful international search can be carried out, specifically:

3. Claims Nos.: 6-17 and 24-26
because they are dependent claims and are not drafted in accordance with the second and third sentences of Rule 6.4(a).

Box No. III Observations where unity of invention is lacking (Continuation of item 3 of first sheet)

This International Searching Authority found multiple inventions in this international application, as follows:

1. As all required additional search fees were timely paid by the applicant, this international search report covers all searchable claims.
 2. As all searchable claims could be searched without effort justifying additional fees, this Authority did not invite payment of any additional fees.
 3. As only some of the required additional search fees were timely paid by the applicant, this international search report covers only those claims for which fees were paid, specifically claims Nos.:

 4. No required additional search fees were timely paid by the applicant. Consequently, this international search report is restricted to the invention first mentioned in the claims; it is covered by claims Nos.:
- Remark on Protest**
- The additional search fees were accompanied by the applicant's protest and, where applicable, the payment of a protest fee.
 - The additional search fees were accompanied by the applicant's protest but the applicable protest fee was not paid within the time limit specified in the invitation.
 - No protest accompanied the payment of additional search fees.