

(19) World Intellectual Property Organization
International Bureau



(43) International Publication Date
29 May 2008 (29.05.2008)

PCT

(10) International Publication Number
WO 2008/064210 A3

(51) International Patent Classification:
B60R 7/04 (2006.01) **B05D 1/28** (2006.01)
E06B 9/15 (2006.01)

49426 (US). **PIERCE, Kristan, Marie** [US/US]; 16500 Van Buren Street, West Olive, MI 49460 (US).

(21) International Application Number:
PCT/US2007/085207

(74) Agents: **RAWLINS, Andrew, E.** et al.; Foley & Lardner LLP, Washington Harbour, 3000 K Street NW, Suite 500, Washington, DC 20007-5143 (US).

(22) International Filing Date:
20 November 2007 (20.11.2007)

(81) Designated States (unless otherwise indicated, for every kind of national protection available): AE, AG, AL, AM, AT, AU, AZ, BA, BB, BG, BH, BR, BW, BY, BZ, CA, CH, CN, CO, CR, CU, CZ, DE, DK, DM, DO, DZ, EC, EE, EG, ES, FI, GB, GD, GE, GH, GM, GT, HN, HR, HU, ID, IL, IN, IS, JP, KE, KG, KM, KN, KP, KR, KZ, LA, LC, LK, LR, LS, LT, LU, LY, MA, MD, ME, MG, MK, MN, MW, MX, MY, MZ, NA, NG, NI, NO, NZ, OM, PG, PH, PL, PT, RO, RS, RU, SC, SD, SE, SG, SK, SL, SM, SV, SY, TJ, TM, TN, TR, TT, TZ, UA, UG, US, UZ, VC, VN, ZA, ZM, ZW.

(25) Filing Language: English

(26) Publication Language: English

(30) Priority Data:
60/860,271 21 November 2006 (21.11.2006) US
60/924,848 1 June 2007 (01.06.2007) US

(71) Applicant (for all designated States except US): **JOHNSON CONTROLS TECHNOLOGY COMPANY** [US/US]; 915 East 32nd Street, Holland, MI 49423 (US).

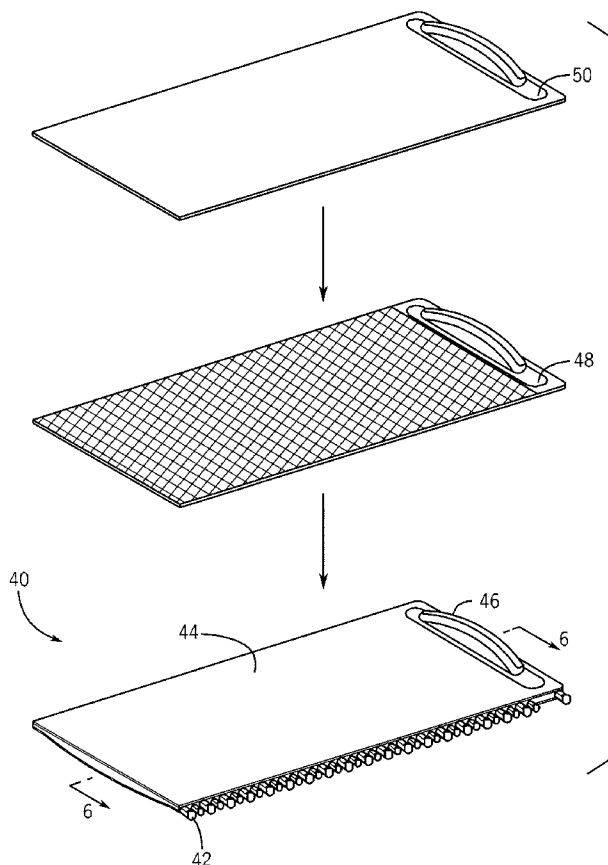
(84) Designated States (unless otherwise indicated, for every kind of regional protection available): ARIPO (BW, GH, GM, KE, LS, MW, MZ, NA, SD, SL, SZ, TZ, UG, ZM, ZW), Eurasian (AM, AZ, BY, KG, KZ, MD, RU, TJ, TM),

(72) Inventors; and

(75) Inventors/Applicants (for US only): **HIPSHIER, Jason, M.** [US/US]; 7179 Rolling Hills Drive, Hudsonville, MI

[Continued on next page]

(54) Title: FLEXIBLE INTERIOR COMPONENT



(57) Abstract: There is disclosed a vehicle console trim component. The trim component can include an articulated door with a plurality of slats, a substrate, and a flexible layer including a pattern for decoration disposed on and supported by the substrate. The flexible layer will maintain the pattern for decoration as the articulated door is cycled. The pattern for the vehicle trim component may be a photographic image. An overcoat also can be disposed on the flexible layer.

WO 2008/064210 A3



European (AT, BE, BG, CH, CY, CZ, DE, DK, EE, ES, FI, FR, GB, GR, HU, IE, IS, IT, LT, LU, LV, MC, MT, NL, PL, PT, RO, SE, SI, SK, TR), OAPI (BF, BJ, CF, CG, CI, CM, GA, GN, GQ, GW, ML, MR, NE, SN, TD, TG).

— *before the expiration of the time limit for amending the claims and to be republished in the event of receipt of amendments*

Published:

— *with international search report*

(88) Date of publication of the international search report:

17 July 2008

INTERNATIONAL SEARCH REPORT

International application No
PCT/US2007/085207

A. CLASSIFICATION OF SUBJECT MATTER
INV. B60R7/04 E06B9/15 B05D1/28

According to International Patent Classification (IPC) or to both national classification and IPC

B. FIELDS SEARCHED

Minimum documentation searched (classification system followed by classification symbols)
B60R E06B B05D

Documentation searched other than minimum documentation to the extent that such documents are included in the fields searched

Electronic data base consulted during the international search (name of data base and, where practical, search terms used)

EPO-Internal, WPI Data

C. DOCUMENTS CONSIDERED TO BE RELEVANT

| Category* | Citation of document, with indication, where appropriate, of the relevant passages | Relevant to claim No. |
|-----------|--|-----------------------|
| X | US 2006/186696 A1 (DOBOS LEONHARD [DE] ET AL) 24 August 2006 (2006-08-24) paragraphs [0004] - [0006], [0039], [0040], [0050] figures 1,2,10 | 1-23. |
| X | DE 10 2005 023062 B3 (DRAEXLMAIER LISA GMBH [DE]) 5 October 2006 (2006-10-05) paragraphs [0002], [0004], [0008], [0040], [0042], [0050] figure 2 | 1-23 |
| X | US 2006/037713 A1 (ICHIMARU TAKAHIDE [JP] ET AL) 23 February 2006 (2006-02-23) paragraphs [0032], [0045] - [0047] figures 9-12 | 9,10,13, 17,23 |
| | ----- -/-- | |

Further documents are listed in the continuation of Box C.

See patent family annex.

* Special categories of cited documents :

- *A* document defining the general state of the art which is not considered to be of particular relevance
- *E* earlier document but published on or after the international filing date
- *L* document which may throw doubts on priority claim(s) or which is cited to establish the publication date of another citation or other special reason (as specified)
- *O* document referring to an oral disclosure, use, exhibition or other means
- *P* document published prior to the international filing date but later than the priority date claimed

- *T* later document published after the international filing date or priority date and not in conflict with the application but cited to understand the principle or theory underlying the invention
- *X* document of particular relevance; the claimed invention cannot be considered novel or cannot be considered to involve an inventive step when the document is taken alone
- *Y* document of particular relevance; the claimed invention cannot be considered to involve an inventive step when the document is combined with one or more other such documents, such combination being obvious to a person skilled in the art.
- *&* document member of the same patent family

Date of the actual completion of the international search

14 May 2008

Date of mailing of the international search report

27/05/2008

Name and mailing address of the ISA/

European Patent Office, P.B. 5818 Patentlaan 2
NL - 2280 HV Rijswijk
Tel. (+31-70) 340-2040, Tx. 31 651 epo nl,
Fax: (+31-70) 340-3016

Authorized officer

Adacker, Jürgen

INTERNATIONAL SEARCH REPORT

International application No

PCT/US2007/085207

C(Continuation). DOCUMENTS CONSIDERED TO BE RELEVANT

| Category* | Citation of document, with indication, where appropriate, of the relevant passages | Relevant to claim No. |
|-----------|--|--------------------------------|
| P, X | EP 1 777 109 A (DRAEXLMAIER LISA GMBH [DE]) 25 April 2007 (2007-04-25) paragraphs [0004], [0022] - [0027] claims 1-3,5 figures 1,2 ----- | 9-11,13, 15-17, 20,23 |
| A | DE 40 10 241 A1 (DAIMLER BENZ AG [DE]) 11 April 1991 (1991-04-11) column 2, line 68 - column 3, line 64 figure 1 ----- | 1,4,6, 8-10,15, 17,20,23 |
| A | JP 03 068474 A (KIYUUBITSUKU KK) 25 March 1991 (1991-03-25) abstract ----- | 17-19 |
| A | EP 1 454 789 A (RENAULT SA [FR]) 8 September 2004 (2004-09-08) paragraphs [0030], [0032] figures 3,6 ----- | 1,8-10, 17,23 |

INTERNATIONAL SEARCH REPORT

Information on patent family members

| |
|---|
| International application No PCT/US2007/085207 |
|---|

| Patent document cited in search report | Publication date | Patent family member(s) | Publication date |
|--|------------------|---|--|
| US 2006186696 A1 | 24-08-2006 | DE 102005006119 A1 EP 1690740 A1 | 24-08-2006 16-08-2006 |
| DE 102005023062 B3 | 05-10-2006 | EP 1724155 A1 US 2006279106 A1 | 22-11-2006 14-12-2006 |
| US 2006037713 A1 | 23-02-2006 | CN 1740507 A DE 102005039825 A1 JP 2006057372 A | 01-03-2006 27-04-2006 02-03-2006 |
| EP 1777109 A | 25-04-2007 | DE 102005050825 A1 US 2007125500 A1 | 26-04-2007 07-06-2007 |
| DE 4010241 A1 | 11-04-1991 | NONE | |
| JP 3068474 A | 25-03-1991 | JP 2557709 B2 | 27-11-1996 |
| EP 1454789 A | 08-09-2004 | DE 602004002414 T2 ES 2270301 T3 FR 2851963 A1 | 15-03-2007 01-04-2007 10-09-2004 |