



US00D726078S

(12) **United States Design Patent**  
**Liao**

(10) **Patent No.:** **US D726,078 S**

(45) **Date of Patent:** **\*\* Apr. 7, 2015**

(54) **BABY STROLLER**

(75) Inventor: **Gordon Liao**, Tainan (TW)

(73) Assignee: **Unique Product & Design Co., Ltd.**,  
Tainan (TW)

(\*\*) Term: **14 Years**

(21) Appl. No.: **29/424,015**

(22) Filed: **Jun. 7, 2012**

(51) **LOC (10) Cl.** ..... **12-12**

(52) **U.S. Cl.**  
USPC ..... **D12/129**

(58) **Field of Classification Search**  
USPC ..... D12/128-133; D21/433; D34/12, 27,  
D34/30; 280/62, 647-650, 29, 200, 47.38,  
280/250.1, 259, 642, 658; 296/65.03,  
296/65.04; 297/DIG. 4; 135/65-67, 74  
See application file for complete search history.

(56) **References Cited**

U.S. PATENT DOCUMENTS

D375,707 S *	11/1996	Yang	.....	D12/129
D519,422 S *	4/2006	Huang	.....	D12/129
7,267,359 B1 *	9/2007	Yang et al.	.....	280/642
7,364,171 B2 *	4/2008	Hu	.....	280/47.38
D578,044 S *	10/2008	Chen et al.	.....	D12/129
D596,996 S *	7/2009	Yang	.....	D12/129
D621,306 S *	8/2010	Liao	.....	D12/129
D643,343 S *	8/2011	Song	.....	D12/129
D661,624 S *	6/2012	Stopp	.....	D12/129
D672,692 S *	12/2012	Jane Santamaria	.....	D12/129
D677,605 S *	3/2013	Ide et al.	.....	D12/129

\* cited by examiner

*Primary Examiner* — Ian Simmons

*Assistant Examiner* — Charles Hanson

(74) *Attorney, Agent, or Firm* — Alan D. Kamrath; Kamrath IP Lawfirm, P.A.

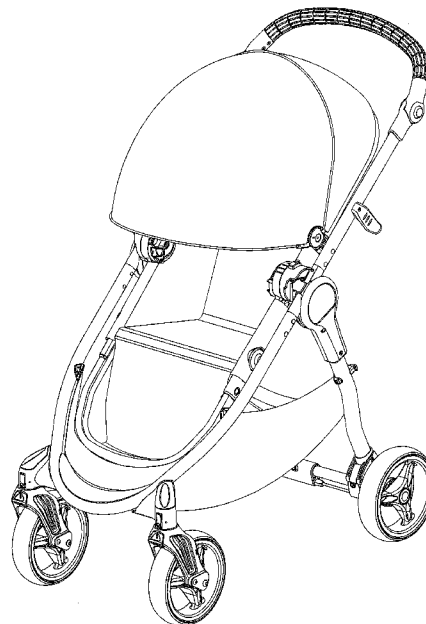
(57) **CLAIM**

The ornamental design for a baby stroller, as shown and described.

**DESCRIPTION**

FIG. 1 is a perspective view of a baby stroller showing my new design;  
 FIG. 2 is a front elevational view thereof;  
 FIG. 3 is a rear elevational view thereof;  
 FIG. 4 is a left side elevational view thereof;  
 FIG. 5 is a right side elevational view thereof;  
 FIG. 6 is a top plan view thereof;  
 FIG. 7 is a bottom plan view thereof;  
 FIG. 8 is a perspective view of a baby stroller while the canopy of the baby stroller is folded;  
 FIG. 9 is a front elevational view of a baby stroller while the canopy of the baby stroller is folded;  
 FIG. 10 is a right side elevational view of a baby stroller while the canopy of the baby stroller is folded;  
 FIG. 11 is a perspective view of a baby stroller while the seat of the baby stroller is folded together with the canopy;  
 FIG. 12 is a front elevational view of a baby stroller while the seat of the baby stroller is folded together with the canopy;  
 FIG. 13 is a right side elevational view of a baby stroller while the seat of the baby stroller is folded together with the canopy;  
 FIG. 14 is a perspective view of a baby stroller with the canopy folded;  
 FIG. 15 is a front elevational view of a baby stroller with the canopy folded; and,  
 FIG. 16 is a right side elevational view of a baby stroller with the canopy folded.

**1 Claim, 16 Drawing Sheets**



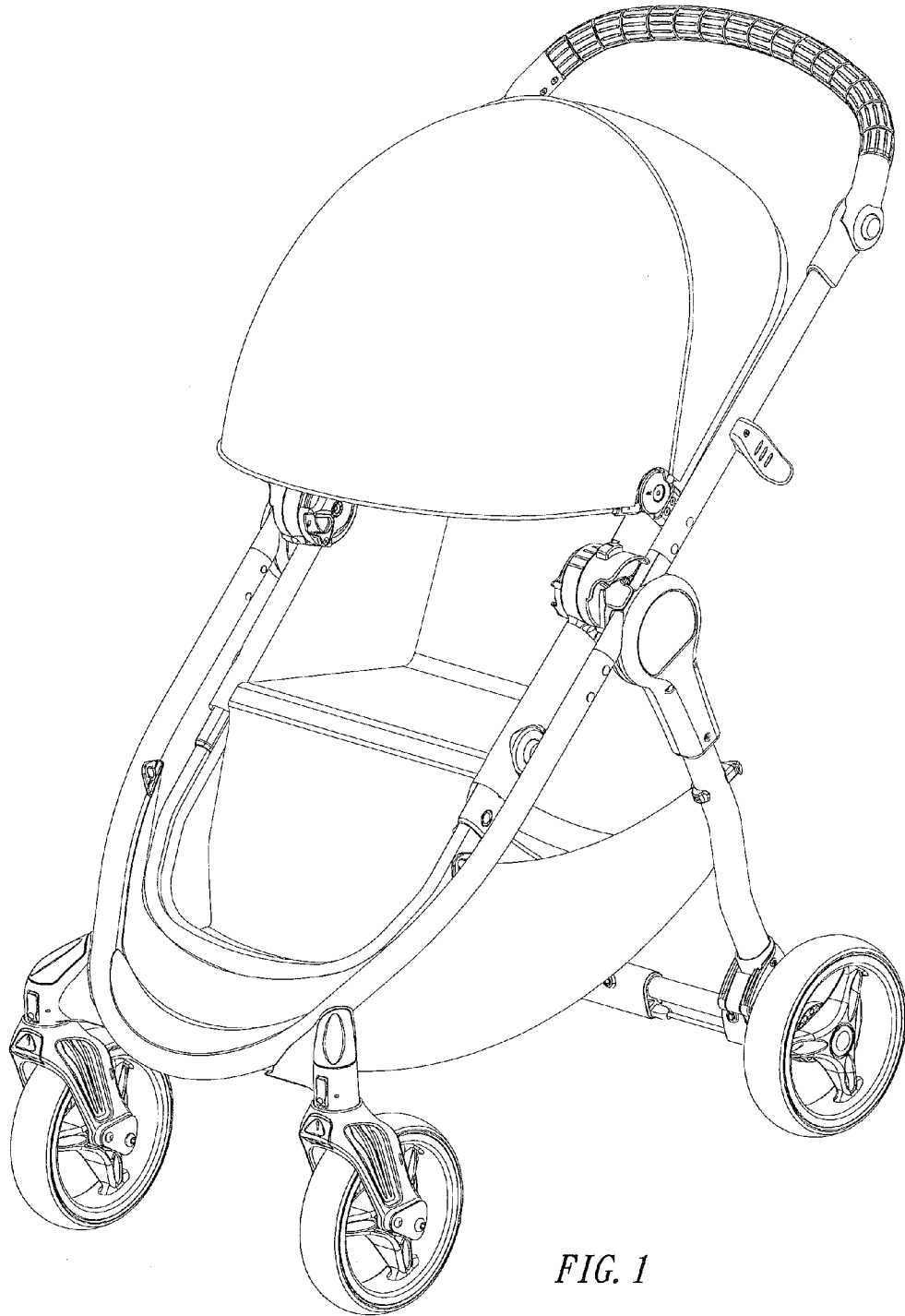


FIG. 1

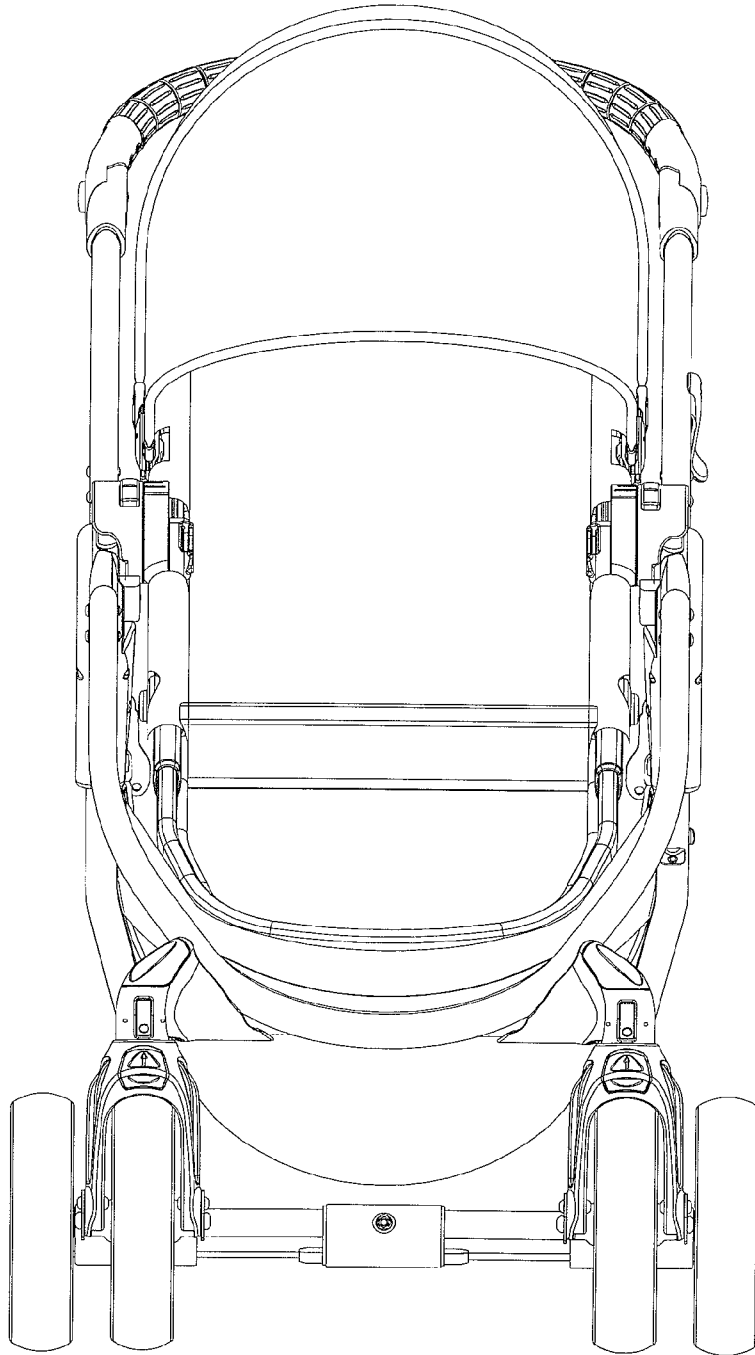


FIG. 2

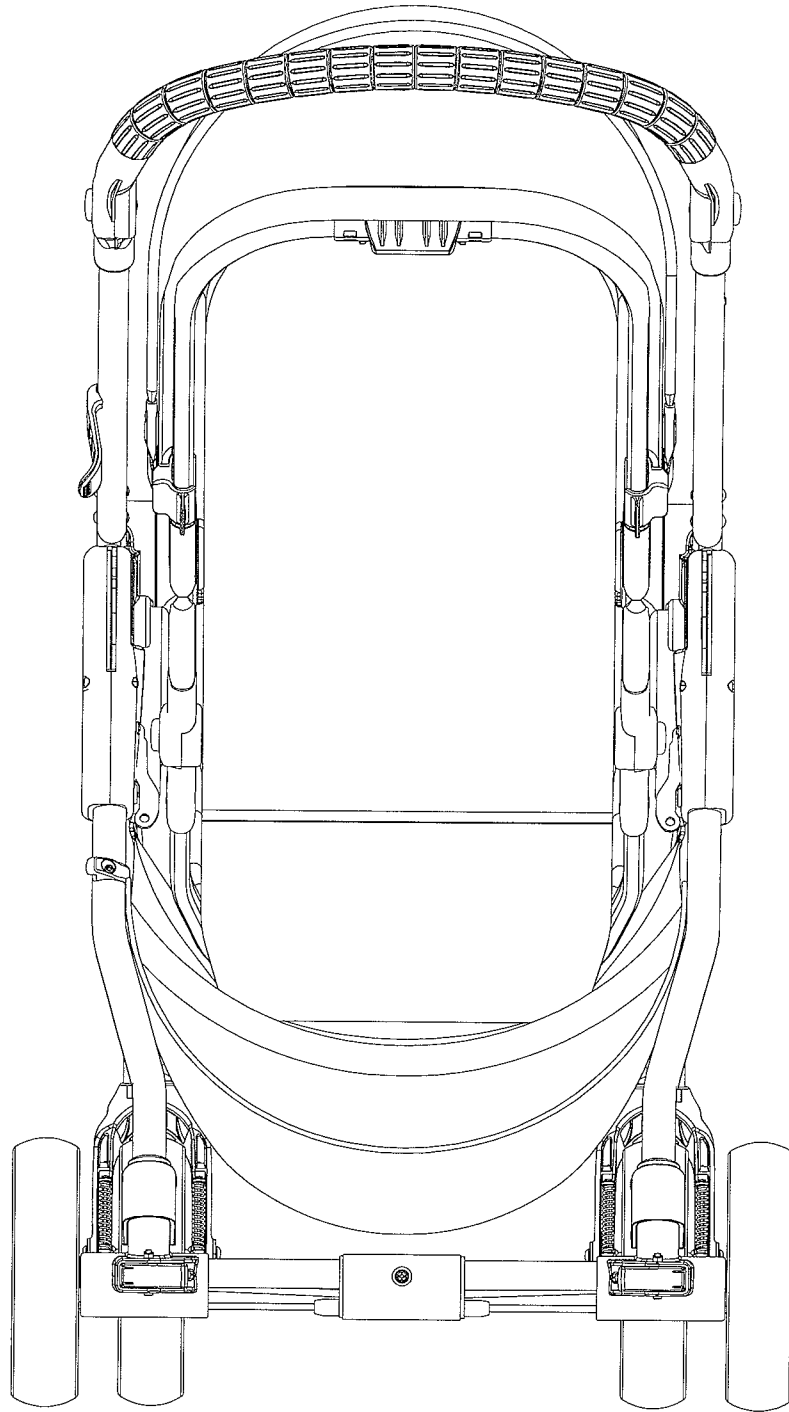


FIG. 3

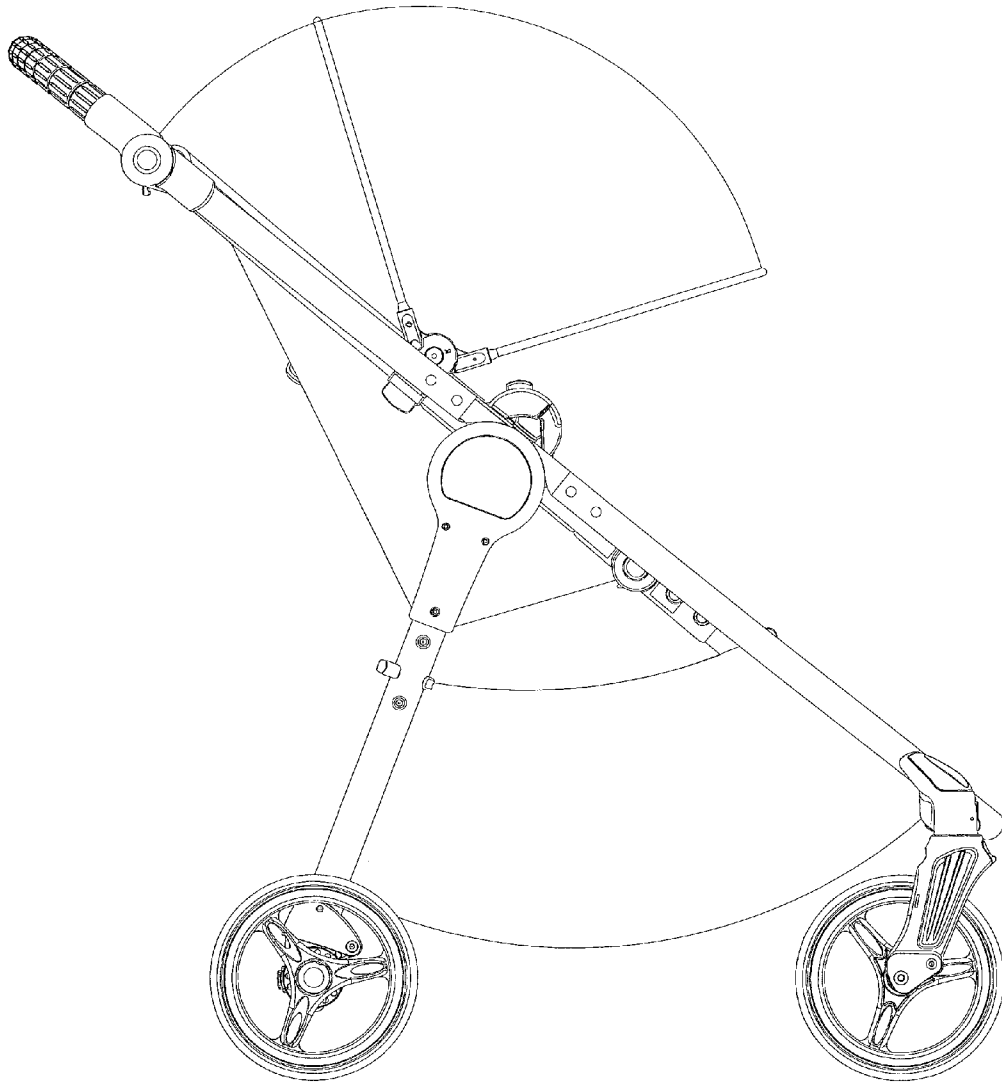


FIG. 4

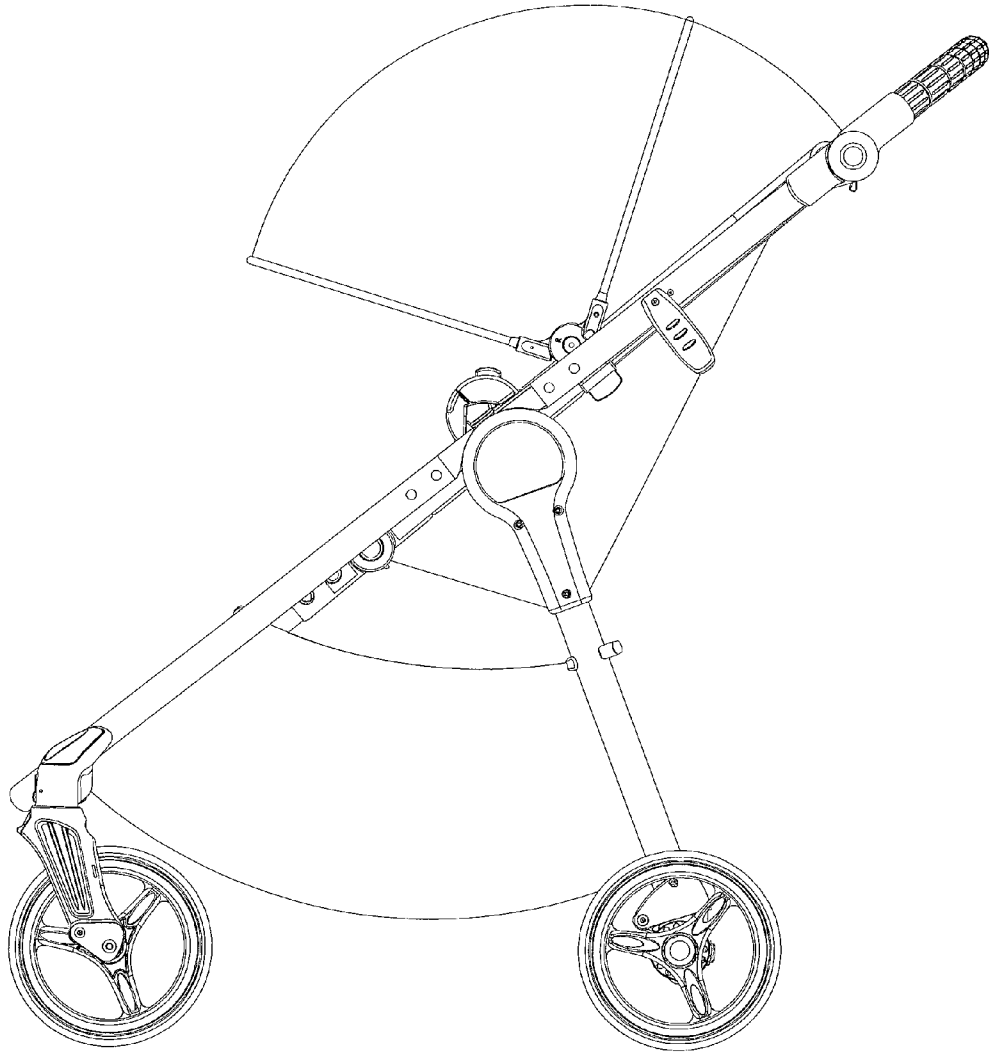


FIG. 5

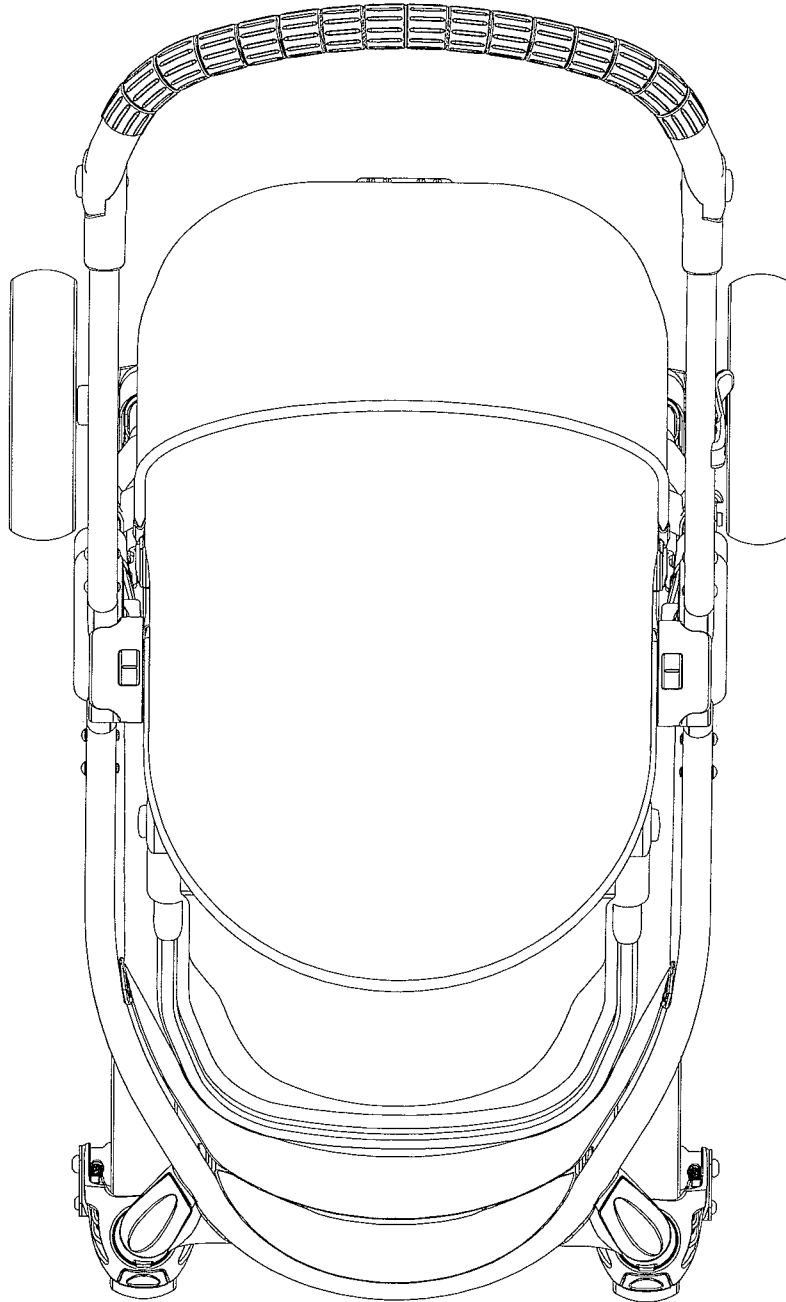


FIG. 6

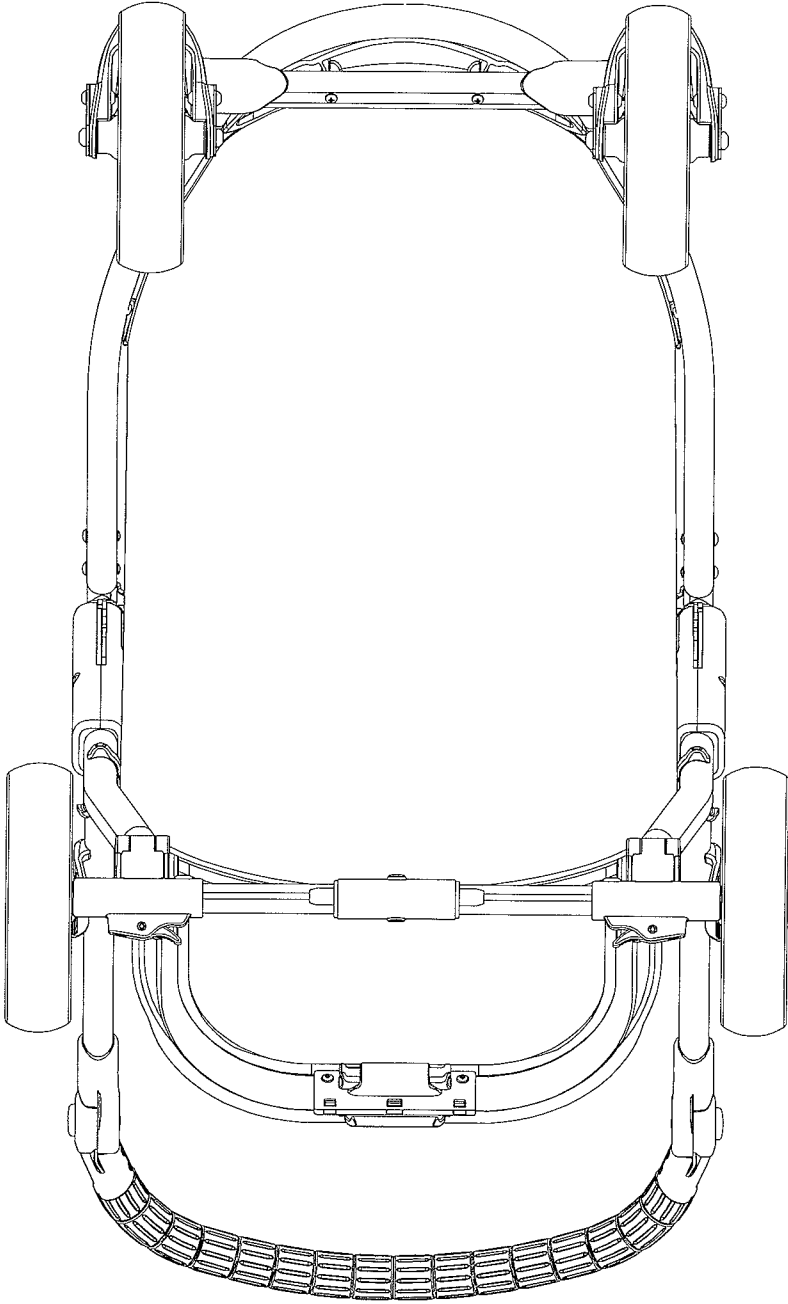


FIG. 7



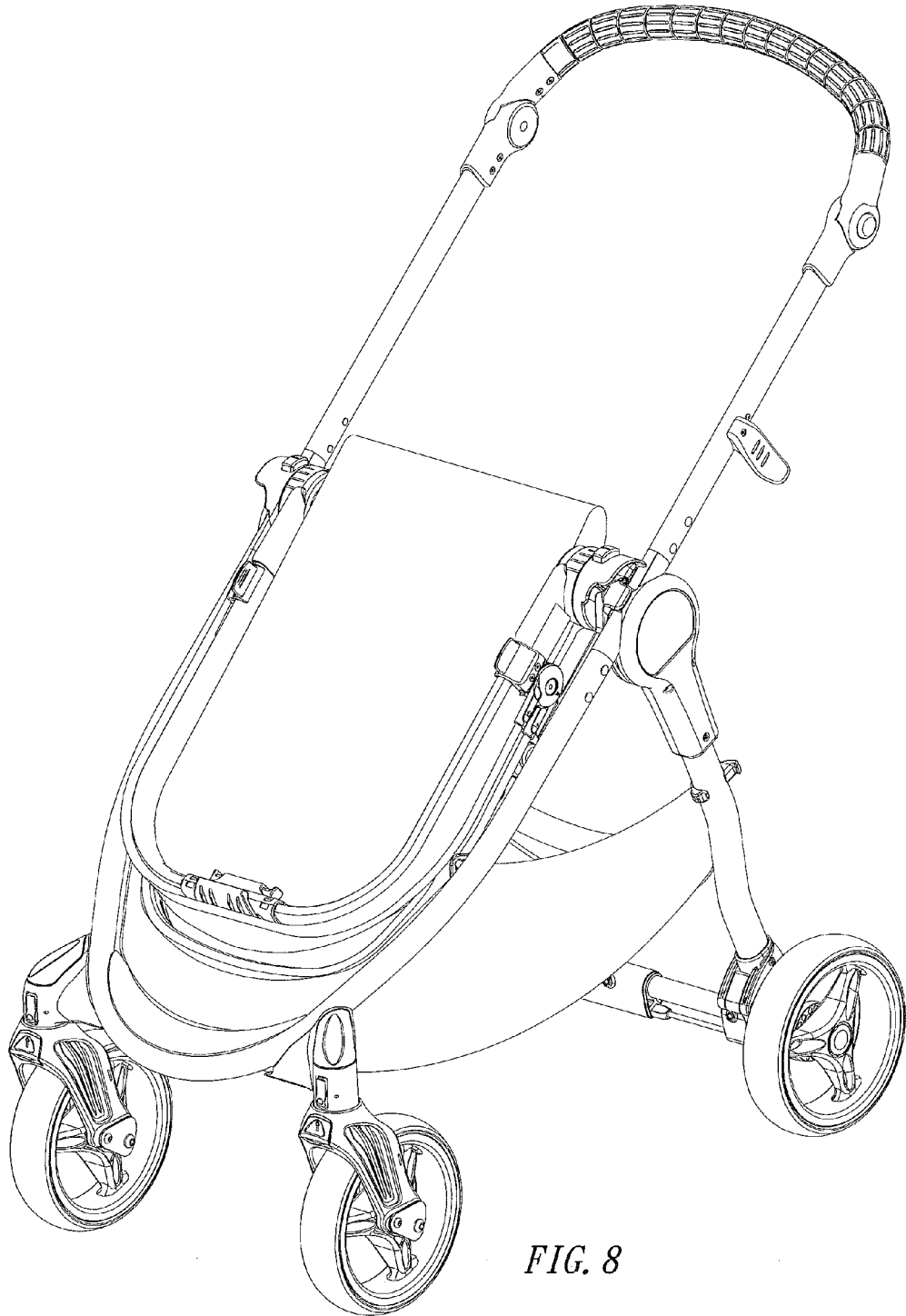


FIG. 8

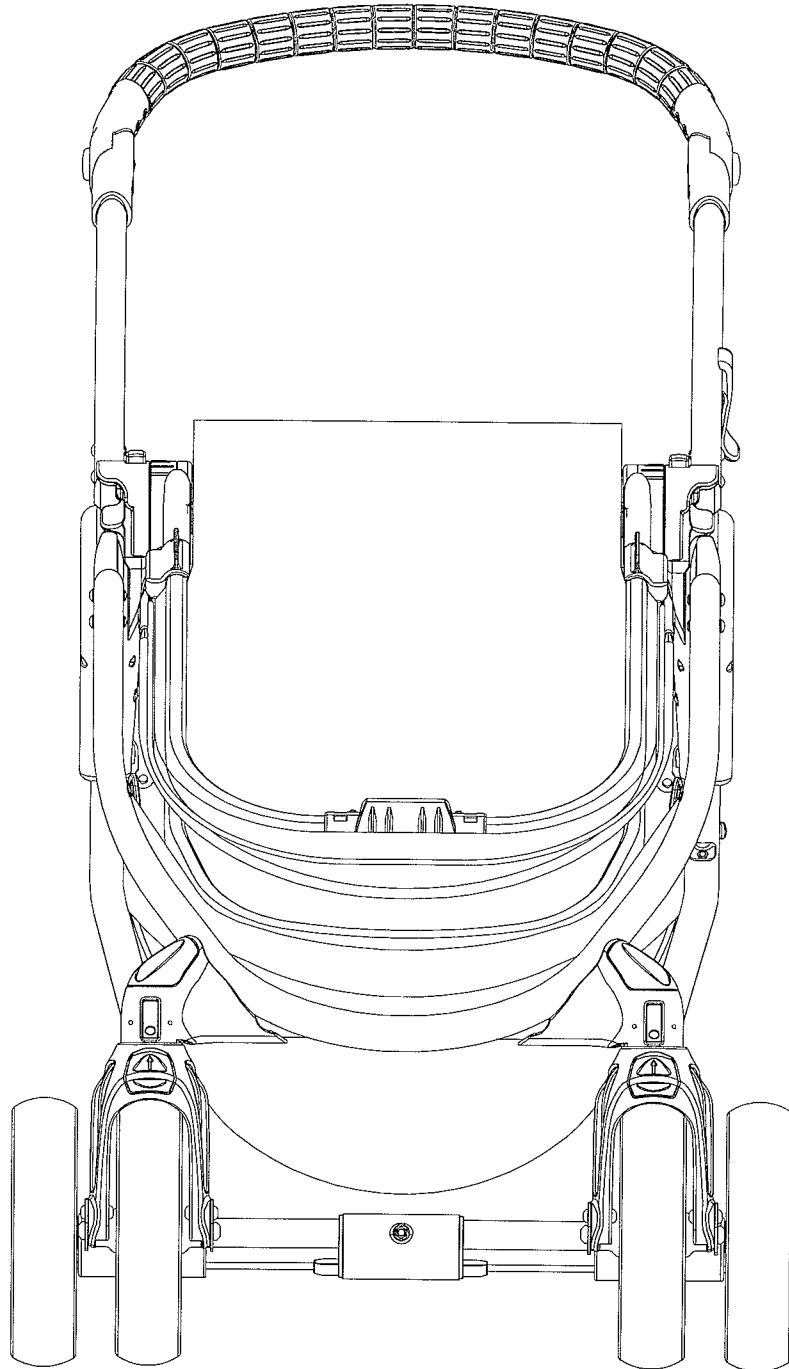


FIG. 9

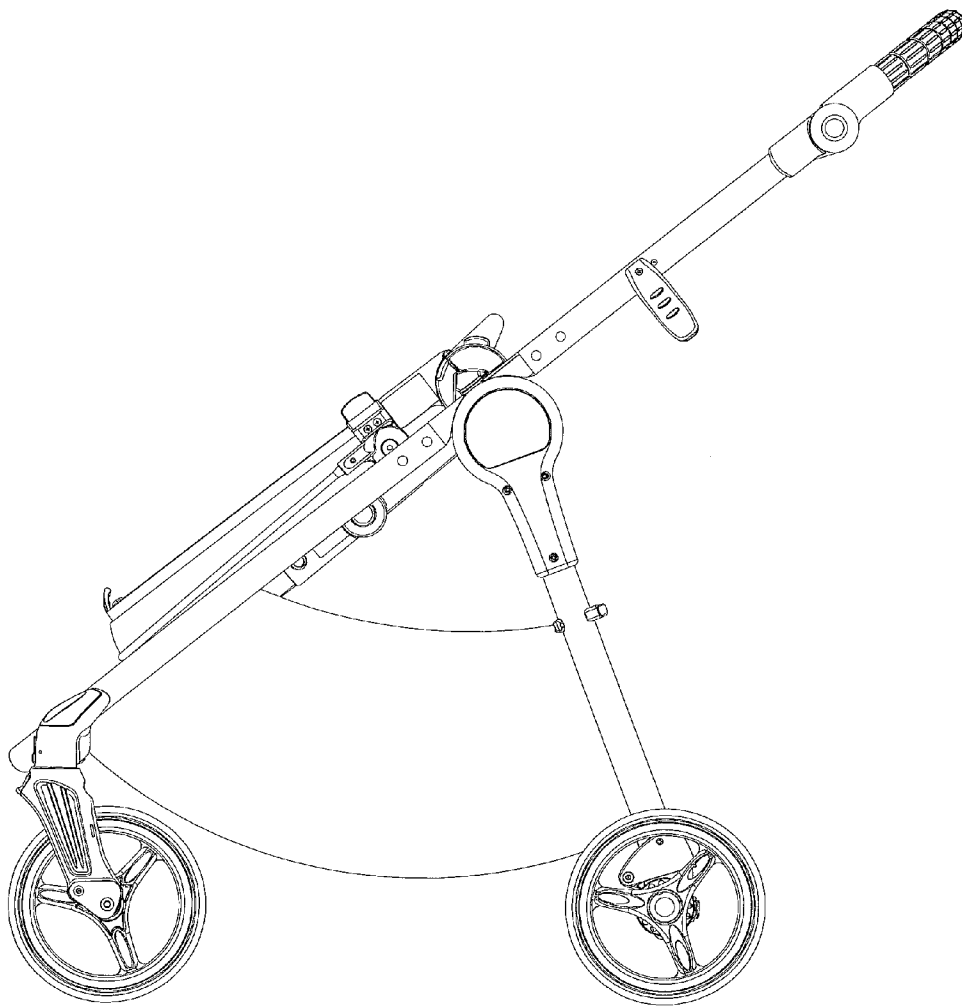


FIG. 10

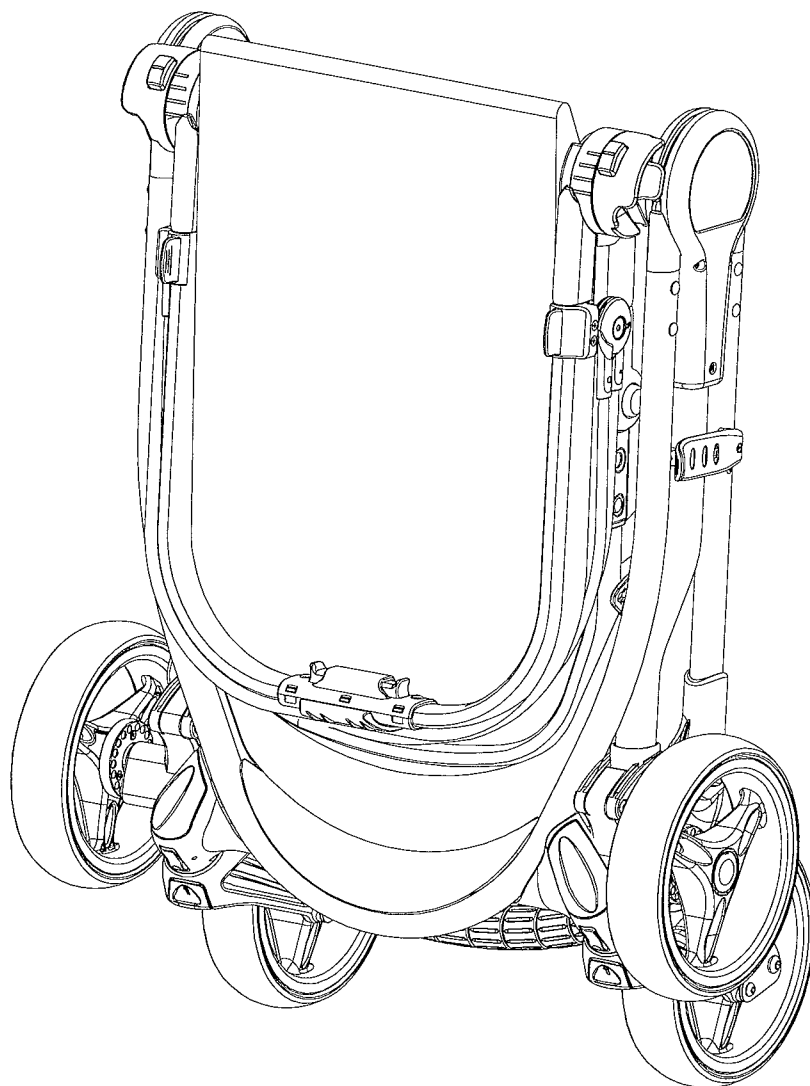


FIG. 11

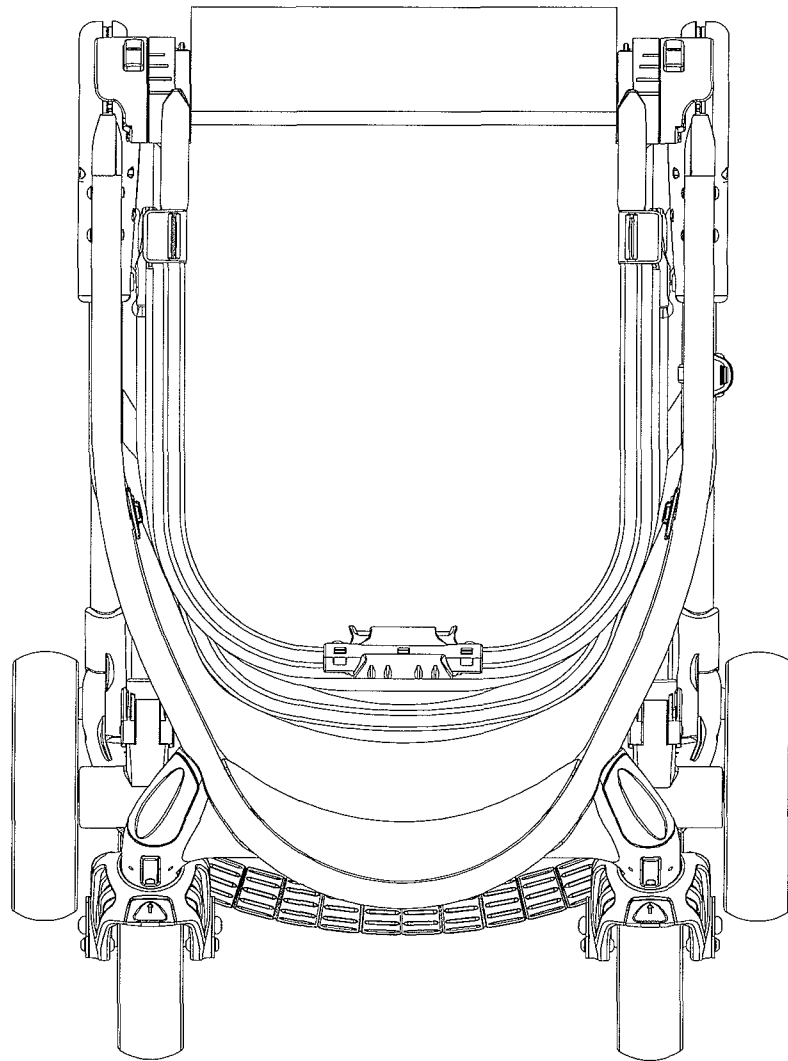


FIG. 12

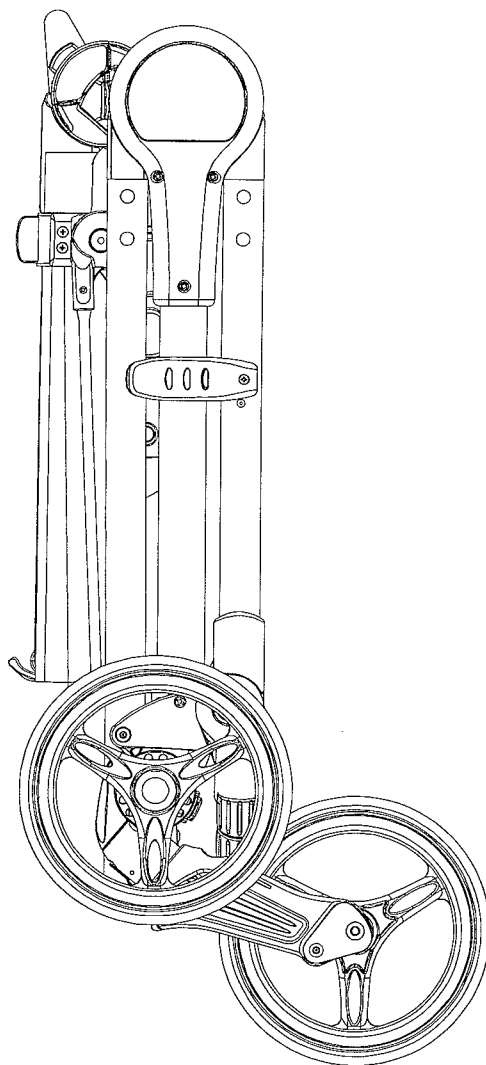


FIG. 13

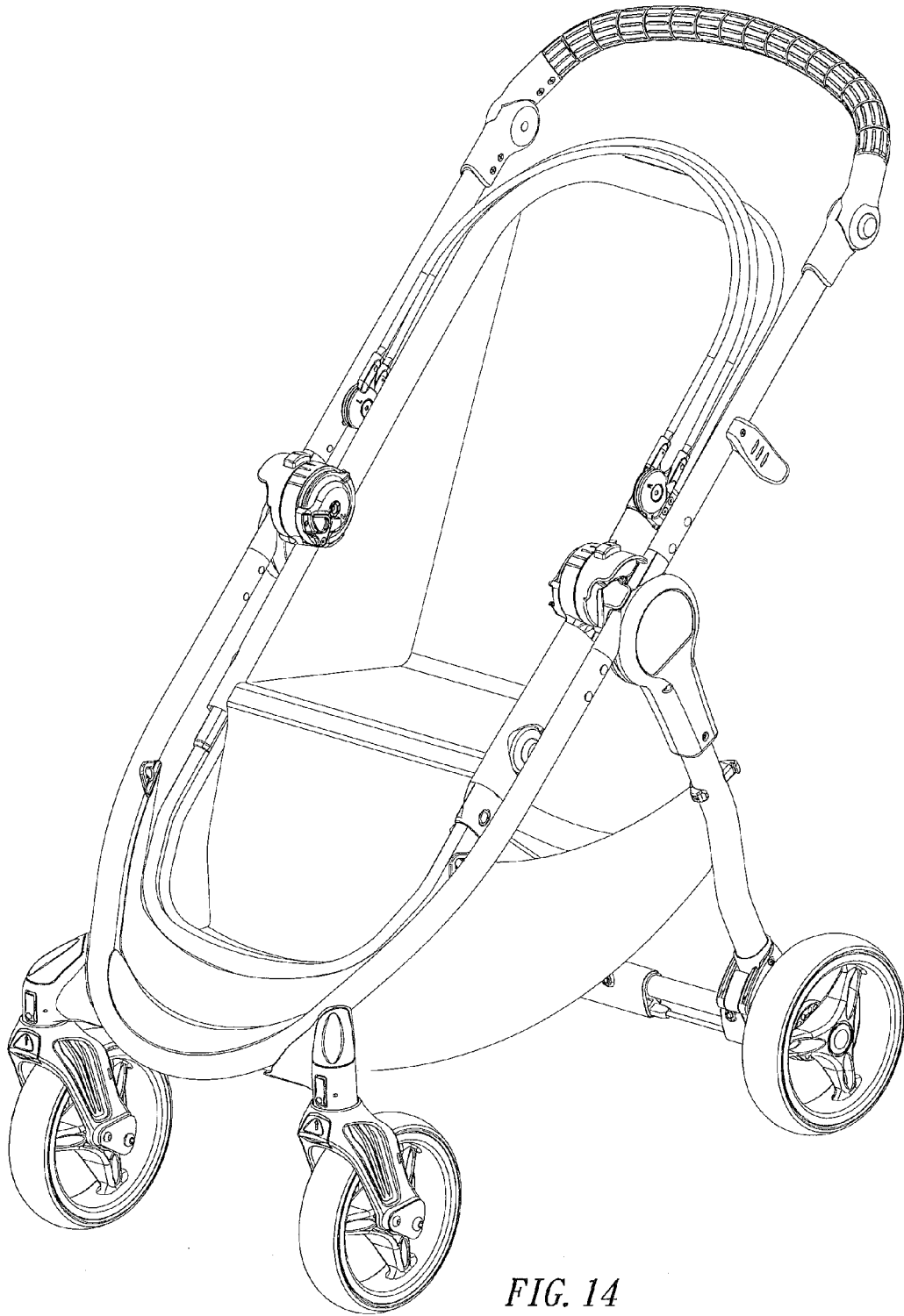


FIG. 14

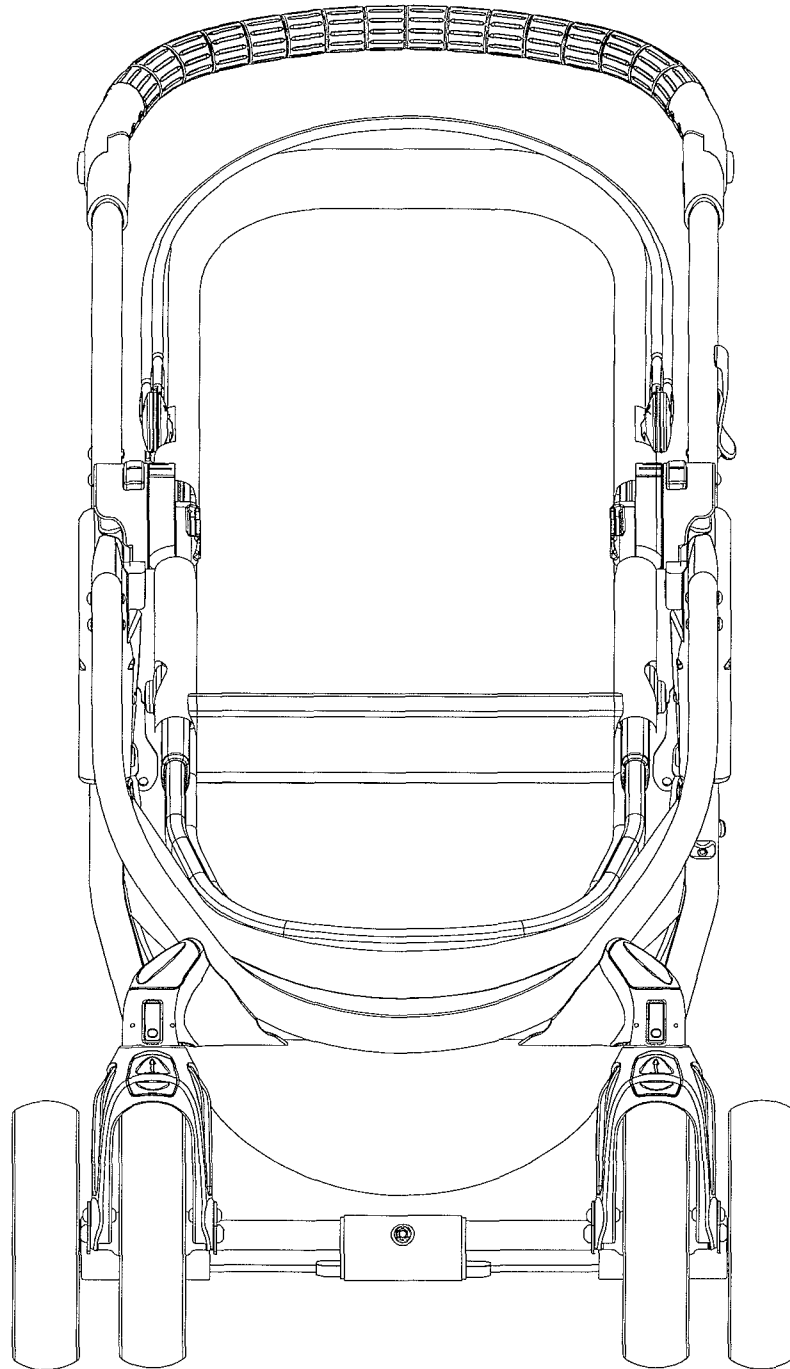


FIG. 15



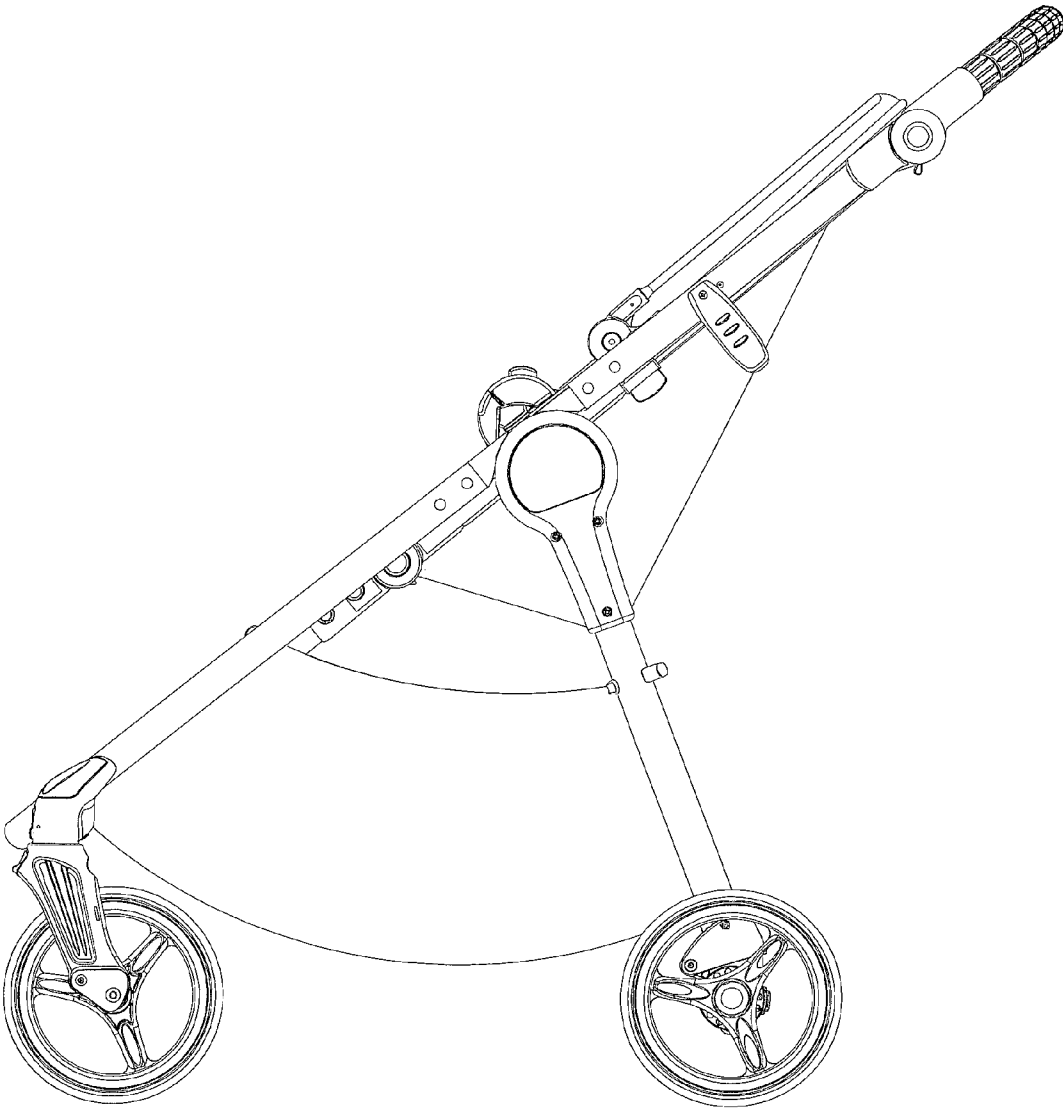


FIG. 16