

(19) World Intellectual Property Organization  
International Bureau



(43) International Publication Date  
15 January 2009 (15.01.2009)

PCT

(10) International Publication Number  
**WO 2009/009246 A1**

- (51) International Patent Classification:  
A61B 18/22 (2006.01) A61F 9/008 (2006.01)
- (21) International Application Number:  
PCT/US2008/066462
- (22) International Filing Date: 11 June 2008 (11.06.2008)
- (25) Filing Language: English
- (26) Publication Language: English
- (30) Priority Data:  
11/774,698 9 July 2007 (09.07.2007) US
- (71) Applicant (for all designated States except US): **ALCON, INC.** [CH/CH]; P.O. Box 62, Bosch 69, CH-6331 Hünenberg (CH).
- (72) Inventors; and
- (75) Inventors/Applicants (for US only): **AULD, Jack R.** [US/US]; 28282 El Sur, Laguna Niguel, California 92677 (US). **SMITH, Ronald T.** [US/US]; 134 White Cap Lane, Newport Coast, California 92657 (US).
- (74) Agents: **BASSINGER, Kenneth D.** et al.; 6201 S. Freeway, Mail Code TB4-8, Fort Worth, TX 76134 (US).

- (81) Designated States (unless otherwise indicated, for every kind of national protection available): AE, AG, AL, AM, AO, AT, AU, AZ, BA, BB, BG, BH, BR, BW, BY, BZ, CA, CH, CN, CO, CR, CU, CZ, DE, DK, DM, DO, DZ, EC, EE, EG, ES, FI, GB, GD, GE, GH, GM, GT, HN, HR, HU, ID, IL, IN, IS, JP, KE, KG, KM, KN, KP, KR, KZ, LA, LC, LK, LR, LS, LT, LU, LY, MA, MD, ME, MG, MK, MN, MW, MX, MY, MZ, NA, NG, NI, NO, NZ, OM, PG, PH, PL, PT, RO, RS, RU, SC, SD, SE, SG, SK, SL, SM, SV, SY, TJ, TM, TN, TR, TT, TZ, UA, UG, US, UZ, VC, VN, ZA, ZM, ZW.
- (84) Designated States (unless otherwise indicated, for every kind of regional protection available): ARIPO (BW, GH, GM, KE, LS, MW, MZ, NA, SD, SL, SZ, TZ, UG, ZM, ZW), Eurasian (AM, AZ, BY, KG, KZ, MD, RU, TJ, TM), European (AT, BE, BG, CH, CY, CZ, DE, DK, EE, ES, FI, FR, GB, GR, HR, HU, IE, IS, IT, LT, LU, LV, MC, MT, NL, NO, PL, PT, RO, SE, SI, SK, TR), OAPI (BF, BJ, CF, CG, CI, CM, GA, GN, GQ, GW, ML, MR, NE, SN, TD, TG).

[Continued on next page]

(54) Title: MULTI-SPOT OPHTHALMIC LASER PROBE

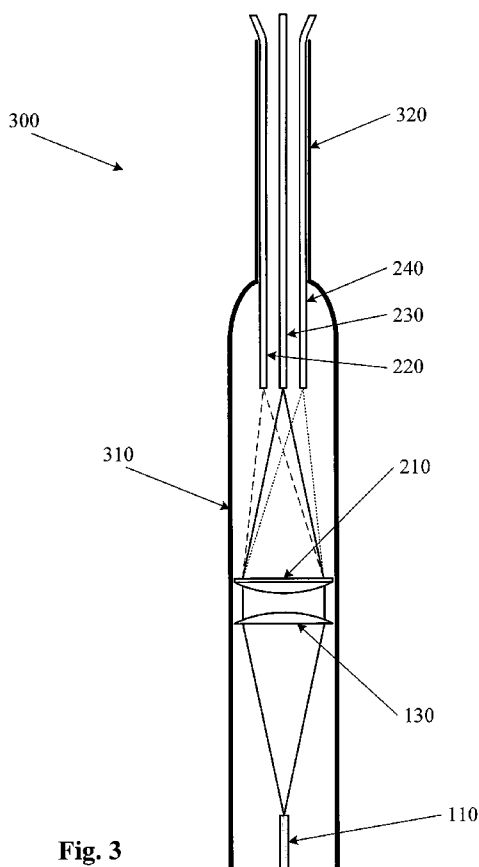


Fig. 3

(57) Abstract: A laser probe includes an emitting optical fiber, optics, and two or more receiving optical fibers. The emitting optical fiber emits a beam of laser light. The optics diffract the beam of light emitted by the emitting optical fiber. The receiving optical fibers each receive a beam of light diffracted by the optics.

WO 2009/009246 A1



**Published:**

- *with international search report*
- *before the expiration of the time limit for amending the claims and to be republished in the event of receipt of amendments*

**MULTI-SPOT  
OPHTHALMIC LASER PROBE**

**BACKGROUND OF THE INVENTION**

5

The present invention relates to a laser probe for use in ophthalmic procedures and more particularly to a multi-spot laser probe for use in photocoagulation.

10 Anatomically, the eye is divided into two distinct parts – the anterior segment and the posterior segment. The anterior segment includes the lens and extends from the outermost layer of the cornea (the corneal endothelium) to the posterior of the lens capsule. The posterior segment includes the portion of the eye behind the lens capsule. The posterior segment extends from the anterior hyaloid face to the retina, with which the posterior hyaloid face of the vitreous body is in direct contact. The  
15 posterior segment is much larger than the anterior segment.

The posterior segment includes the vitreous body—a clear, colorless, gel-like substance. It makes up approximately two-thirds of the eye's volume, giving it form and shape before birth. It is composed of 1% collagen and sodium hyaluronate and  
20 99% water. The anterior boundary of the vitreous body is the anterior hyaloid face, which touches the posterior capsule of the lens, while the posterior hyaloid face forms its posterior boundary, and is in contact with the retina.

Macular degeneration is a medical condition predominantly found in elderly  
25 adults in which the center of the inner lining of the eye, known as the macula area of the retina, suffers thinning, atrophy, and in some cases bleeding. This can result in loss of central vision, which entails inability to see fine details, to read, or to recognize faces. According to the American Academy of Ophthalmology, it is the leading cause of central vision loss and in the United States today for those over the  
30 age of fifty.

When blood vessels beneath the retina bleed, a form of macular degeneration, called wet macular degeneration, results. In some cases, this bleeding may be halted or slowed using a procedure known as photocoagulation. Photocoagulation is a  
35 technique employed by retinal surgeons to treat a number of eye conditions, one of which is the exudative (wet) form of macular degeneration. In this treatment, laser light rays are directed into the eye focusing on abnormal blood vessels that are

growing beneath the retina. This laser cauterizes the vessels to seal them from further leakage in the hope of preventing further vision loss.

5 Using a standard laser probe with one emitted beam spot, the ophthalmic surgeon typically turns the laser beam off and on in rapid fire succession with a foot pedal as he scans the beam across the retinal surface to create a one-dimensional or two-dimensional array of photocoagulated laser burn spots on the retina. It can take a long time to cover the desired retinal area with photocoagulated spots using a single-beam laser probe.

10

A multi-spot laser probe can potentially reduce the time required to create the desired pattern of laser burn spots. However, given a laser with limited laser beam power that is already operating at its maximum laser power setting, a multi-spot laser probe may not necessarily reduce the time required to create the desired laser burn spot pattern. This is because the fixed laser power  $P$  is divided between  $N$  beam spots so the power in a given beam spot is on average only  $P/N$ . Therefore, to create an equivalent burn, the required exposure time is roughly  $N$  times the exposure time for a single-beam laser probe. Therefore, although there are only  $1/N$  the required number of laser fires from a single beam probe, the exposure time per beam fire is  $N$  times that of a single beam probe. So the overall time to lay down the array of burn spots remains the same.

15

20

However, there are now available new photocoagulation lasers such as the Alcon Laboratories, Inc.'s NGL (Next Generation Laser) whose desired beam intensity to create an ideal photocoagulation spot is a small fraction  $f$  of the maximum available beam intensity. If  $f$  is equal to  $1/N$ , then a multi-spot laser beam with  $N$  emitted beams can be used with the laser beam at maximum power level and the overall time to create the desired coagulation spot patterns is only  $1/N$  of the time required with the single-spot laser probe. This reduces the overall time for each operation and enables more operations to be performed in a given day, causing the overall cost per operation to be reduced. Therefore, it would be desirable to have a multi-spot laser probe for performing photocoagulation.

25

30

## SUMMARY OF THE INVENTION

In one embodiment consistent with the principles of the present invention, the present invention is a laser probe comprising an emitting optical fiber, optics, and two or more receiving optical fibers. The emitting optical fiber emits a beam of laser light. The optics diffract the beam of light emitted by the emitting optical fiber. The receiving optical fibers each receive a beam of light diffracted by the optics.

In another embodiment consistent with the principles of the present invention, the present invention is a coupling for a laser probe comprising a housing, optics located in the housing, and two connectors – one located on each side of the optics. The optics diffract a beam of incident light.

In another embodiment consistent with the principles of the present invention, the present invention is an ophthalmic laser probe comprising an emitting optical fiber and optics. The optics diffract the beam of light emitted by the emitting optical fiber into two or more diffracted beams of light.

It is to be understood that both the foregoing general description and the following detailed description are exemplary and explanatory only and are intended to provide further explanation of the invention as claimed. The following description, as well as the practice of the invention, set forth and suggest additional advantages and purposes of the invention.

25

## BRIEF DESCRIPTION OF THE DRAWINGS

The accompanying drawings, which are incorporated in and constitute a part of this specification, illustrate several embodiments of the invention and together with  
5 the description, serve to explain the principles of the invention.

Figure 1 is cross section view of a simple fiber to fiber imaging system consistent with the principles of the present invention.

10 Figure 2 is a cross section view of a fiber to fiber imaging system using a lens with a diffraction grating consistent with the principles of the present invention.

Figure 3 is a cross section view of a distal end of a laser probe including a hand piece and attached cannula according to the principles of the present invention.  
15

Figure 4 is a representation of a diffractive grating that produces a 2x2 array of spots according to the principles of the present invention.

Figure 5 depicts an imaging system using a diffractive grating according to the  
20 principles of the present invention.

Figures 6A and 6B are a side cross section view and a front view, respectively, of a hybrid surface grating / volume hologram multiplex grating assembly.

25 Figure 7 is a side cross section view of the beam pattern produced by the hybrid surface grating / volume hologram multiplex grating assembly of Figure 6.

Figure 8 is a cross section view of a coupling arrangement according to the principles of the present invention.  
30

Figure 9 is a partial view of a laser probe according to the principles of the present invention.

Figure 10 illustrates a connection between the laser probe of Figure 9 and the  
35 coupling arrangement of Figure 8.

Figures 11 and 12 are end views of female and male connectors, respectively, according to the principles of the present invention.

Figure 13 is a cross section view of a laser probe.

Figure 14 is a cross section view of a laser probe with a diffractive grating  
5 according to the principles of the present invention.

Figure 15 is an exploded cross section view of the distal tip of the laser probe  
of Figure 14.

10 Figure 16 is an exploded cross section view of the distal tip of a laser probe in  
which optical power is incorporated into the diffractive grating.

## DETAILED DESCRIPTION OF THE PREFERRED EMBODIMENTS

Reference is now made in detail to the exemplary embodiments of the invention, examples of which are illustrated in the accompanying drawings.

5 Wherever possible, the same reference numbers are used throughout the drawings to refer to the same or like parts.

Figure 1 is cross section view of a simple fiber to fiber imaging system consistent with the principles of the present invention. In the embodiment of Figure  
10 1, the system has two fibers 110, 120, and two lenses 130, 140. Fiber 110 emits a beam of diverging light that originates from a laser source (not shown). The diverging beam is collimated by lens 130. As is commonly known, collimated light is light whose rays are parallel with a planar wave front. This collimated beam is focused by lens 140 into a small diameter spot at the entrance face of receiving fiber  
15 120. In this case, the lenses 130, 140 are each plano-convex aspheric lenses. In a plano-convex aspheric lens, one surface is planar and the other surface is convex with a precise aspheric surface in order to focus the light to a minimum diameter spot. Such an arrangement gives the lowest beam aberrations and can result in a nearly perfect diffraction limited laser spot at the receiving fiber 120.

20

In one embodiment of the present invention, the fibers 110, 120 are each 50 micron, 0.15 NA fibers. The lenses are appropriately sized to fit inside a standard ophthalmic hand piece with an inner diameter of 0.035 inches such as that manufactured and sold by Alcon Laboratories, Inc.

25

Figure 2 is a cross section view of a fiber to fiber imaging system using a lens with a diffraction grating. In Figure 2, the system includes an emitting fiber 110, a lens 130, a lens 140 with a diffractive grating 205, and three receiving fibers 220, 230, 240. In the embodiment of Figure 2, a diffractive grating 205 is located on the planar  
30 side of the plano-convex lens 140. Such a diffractive grating is capable of diffracting the incident beam into multiple exit beams that focus to individual spots as shown. In this case, lens/grating assembly 210 diffracts the incident beam and focuses it into two different discrete beam spots. The depths of the surface grating features are designed so that about one-third of the light is diffracted into each diffracted spot and one-third  
35 of the light remains in the undiffracted zero order spot. In such a case, each of the three receiving fibers 220, 230, 240 carries about one-third of the laser light from the incident beam.

Such an arrangement produces multiple laser spots from a single incident laser beam. The diffractive grating 205 on lens/grating assembly 210 can be designed to produce a number of diffracted beam spots which can be coupled to a number of receiving fibers 220, 230, 240. In one example, the diffractive grating can be designed to diffract the incident beam so that nearly 100% of the light is directed into the diffracted beams (and the zero order beam is suppressed). In general, such gratings can be designed to produce a diffractive pattern of beams along a line or in a two-dimensional area (as shown in Figure 4). The diffractive grating 205 of Figure 2 can be in direct physical contact with lens 140 or may be separate from it. In such a case, the diffractive grating may be implemented by a polymer or glass structure that is separate from the lens. The diffraction grating 205 that is separate from converging lens 140 can either be located downstream from converging lens 140, between converging lens 140 and collimating lens 130, or upstream from collimating lens 130.

Figure 3 depicts a distal end of a laser probe including a hand piece and attached cannula according to the principles of the present invention. In Figure 3, the laser probe assembly 300 includes an emitting fiber 110, a lens 130, a lens with a diffractive grating 210, three receiving fibers 220, 230, 240, a handpiece 310, and a cannula 320. Each of the three receiving fibers 220, 230, 240 has a bent distal end. These bent ends direct the diffracted laser spots to different locations thereby producing a spot pattern. When laser probe assembly 300 is used for photocoagulation of retinal blood vessels, the bent ends of the receiving fibers 220, 230, 240 produce a spot pattern that can be used to more quickly and efficiently coagulate the blood vessels. Each time the laser is fired, multiple spots can be projected onto the retina covering a larger portion of its surface.

Figure 4 is a representation of a diffractive grating that produces a 2x2 array of spots according to the principles of the present invention. In Figure 4, diffractive grating 410 produces 4 spots in a two-dimensional area. Each of the four spots is aligned with a receiving fiber 420, 430, 440, 450. Any number of different spot configurations can be implemented by different designs of diffractive grating 410.

Figure 5 depicts an imaging system using a diffractive grating according to the principles of the present invention. In Figure 5, the system includes an emitting fiber 510, two receiving fibers 520, 530, and a diffractive grating 540. In Figure 5, the refractive lenses have been removed and replaced with diffractive grating 540. In this case, at the edge of the grating 540, a bend angle of about 17 degrees is required (for a 1:1 magnification, 0.15 NA optical system). Surface relief gratings are capable of

near 100% diffraction efficiency for small bend angles, but as the bend angle increases, the diffraction efficiency tends to drop rapidly. In such a case, a volume hologram can be used as a diffraction grating.

5            Figures 6A and 6B are a side cross section view and a front view, respectively, of a hybrid surface grating / volume hologram multiplex grating assembly. In Figure 6A, grating assembly 600 includes a surface relief grating layer 610, an adhesive layer 620, a volume hologram layer 630, and a glass substrate 640. The grating assembly 600 has a central (surface grating diffraction) region 615, and a peripheral (volume  
10            hologram diffraction) region 625. Grating assembly 600 is generally circular in shape as shown in Figure 6B.

              The peripheral (volume hologram diffraction) region 625 implements a volume hologram. In a volume hologram, the diffraction grating lies inside the bulk  
15            volume of the hologram material. A volume hologram has moderate to low diffraction efficiencies for low bend angles (e.g. less than 10 degrees) and potentially 100% diffraction efficiency for higher bend angles (e.g. greater than 10 degrees).

              Therefore, the diffraction assembly 600 efficiently diffracts for small bend  
20            angles with the central (surface grating diffraction) region 615. The assembly 600 also efficiently diffracts for higher bend angles with the peripheral (volume hologram diffraction) region 625. Using such an assembly 600 can result in near 100% diffraction efficiency in a constrained volume contained in a hand piece or probe. An exemplary beam pattern for grating assembly 600 is shown in Figure 7.

25            Figures 8-10 depict a fiber coupling arrangement according to the principles of the present invention. Figure 8 shows a coupling. The optics are located in a housing 830 that connects the laser console to a disposable laser probe. In Figure 8, the optics (in this case, lens 130 and lens with diffractive grating 210 – although other optics  
30            may be used) are located in housing 830. A male connector 810 is located on one end of housing 830, and a female connector 820 is located on the other end of housing 830. In one embodiment, the connectors are standard SMA connectors, though other types of connectors may be employed.

35            Figure 9 is a partial view of a laser probe according to the principles of the present invention. A disposable multispot laser probe includes a male connector 910, a sheath 920 that carries one or more optical fibers, a hand piece 930, and a cannula 940 that terminates in three optical fibers 220, 230, 240 (each with a bent tip).

Figure 10 illustrates a connection between the laser probe of Figure 9 and the connector arrangement of Figure 8. In Figure 10, male connector 910 is engaged with female connector 820, thus coupling the laser probe with the laser source. Optics enclosed in housing 830 diffract the incident beam into multiple beams that are carried by optical fibers 220, 230, 240.

Figures 11 and 12 are end views of a connector arrangement according to the principles of the present invention. Figure 11 is an end view of the female connector and Figure 12 is an end view of the male connector. A spring ball 1110 engages slot 1210 and properly aligns the optical fibers (depicted as small circles). Other mechanical alignment features, such as slots and mating protrusions, may be employed to align the optical fibers.

Figure 13 is a cross section view of a laser probe. In Figure 13, the laser probe has PVC sheathing 1310, a handpiece 1320, an optical fiber 1330, and a cannula 1340. A laser beam is emitted from the distal end of fiber 1330.

Figure 14 is a cross section view of a laser probe with a diffractive grating according to the principles of the present invention. In Figure 14, diffractive grating 1410 is fitted onto the end of cannula 1340. Optical fiber 1330 terminates inside cannula 1340 ahead of diffractive grating 1340. In this manner, a laser beam emitted by optical fiber 130 passes through diffractive grating 1410. As previously discussed, diffractive grating 1410 produces multiple diffracted beam spots. In Figure 14, two diffracted beams are shown, but in other embodiments of the present invention, any number of diffracted beams may be produced as the incident beam passes through diffractive grating 1410. In various embodiments of the present invention, a surface grating, volume hologram, or a combination of both may be employed as discussed above. In other embodiments, diffractive grating 1410 may be designed to produce different spot patterns as previously discussed.

Figure 15 is an exploded cross section view of the distal tip of the laser probe of Figure 14. This drawing more clearly shows the arrangement of the components and the path of the beams. Figure 15 also includes a centering cylinder 1510 that is designed to center optical fiber 1330 in cannula 1340. The distal end of optical fiber 1330 is positioned a distance from diffractive grating 1410 so that the beam emitted by optical fiber 1330 can expand to fill diffractive grating 1410 as shown. Diffractive

grating 1410 diffracts the beam into multiple directions so that a multitude of virtual images appear in the plane of the emitting fiber.

5 Figure 16 is an exploded cross section view of the distal tip of a laser probe in which optical power is incorporated into diffractive grating 1610. Diffractive grating 1610 is designed to focus the diffracted beams. For example, diffractive grating may be designed to emit a multitude of collimated diffracted beams. Collimated diffracted beams result in a more concentrated spot pattern on the retina. In other embodiments, diffractive grating 1610 is designed to generate converging diffracted beams.

10

From the above, it may be appreciated that the present invention provides an improved system for photocoagulation of the retina. Utilizing a diffractive grating or assembly, a single incident laser beam can be diffracted into a spot pattern suitable for photocoagulating retinal blood vessels. The present invention is illustrated herein by example, and various modifications may be made by a person of ordinary skill in the art.

15

Other embodiments of the invention will be apparent to those skilled in the art from consideration of the specification and practice of the invention disclosed herein. It is intended that the specification and examples be considered as exemplary only, with a true scope and spirit of the invention being indicated by the following claims.

20

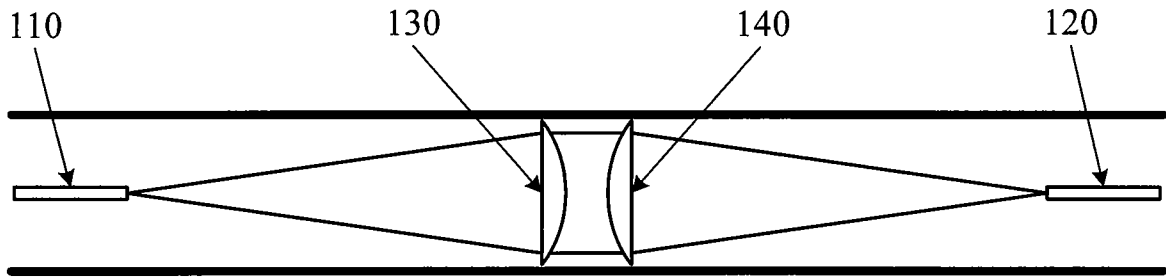
What is claimed is:

1. A laser probe comprising:  
an emitting optical fiber for emitting a beam of light;  
5 optics located on the emitting side of the emitting optical fiber, the optics for diffracting the beam of light emitted by the emitting optical fiber; and  
two or more receiving optical fibers, each of the two or more receiving optical fibers located opposite the emitting optical fiber, each of the two or more receiving optical fibers for receiving a beam of light diffracted by the optics.  
10
2. The laser probe of claim 1 wherein the optics further comprise:  
a first lens; and  
a second lens located opposite the first lens, the second lens comprising a diffractive surface.  
15
3. The laser probe of claim 2 wherein the first lens is an aspheric lens and the second lens is an aspheric lens with a diffractive surface.
4. The laser probe of claim 1 wherein the optics diffract the beam of light emitted  
20 by the emitting optical fiber into a two dimensional array of beam spots.
5. The laser probe of claim 1 wherein the optics comprise a diffractive grating.
6. The laser probe of claim 1 wherein the optics comprise a hybrid surface  
25 grating / volume hologram multiplex grating assembly.
7. The laser probe of claim 6 wherein the grating assembly further comprises:  
a generally circular surface grating section located in a center of the grating assembly, the surface grating section for diffracting an incident beam at a lower bend  
30 angle; and  
a generally ring-like volume hologram section located around a periphery of the surface grating section, the volume hologram section for diffracting an incident beam at a higher bend angle.
- 35 8. The laser probe of claim 1 in which at least one of the two or more receiving optical fibers has a bent distal end.

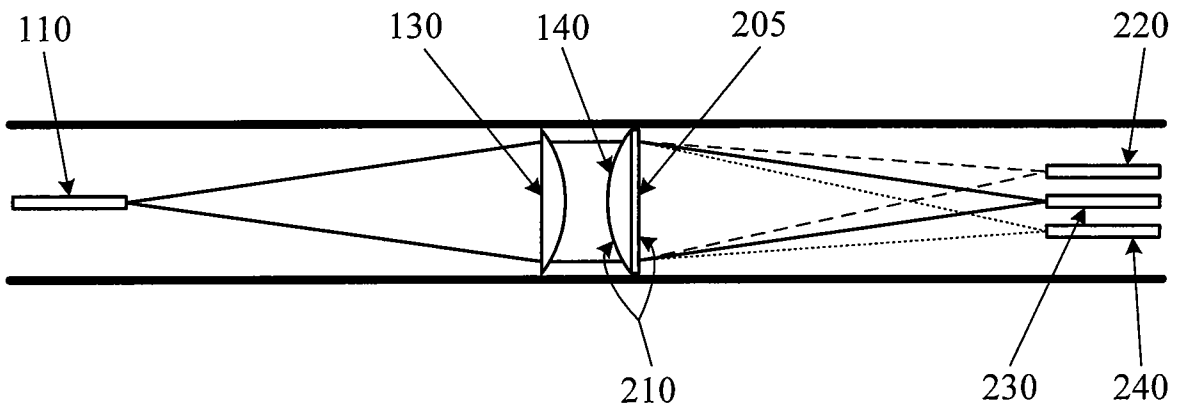
9. The laser probe of claim 1 wherein the two or more receiving optical fibers are located such that each of the two or more receiving optical fibers is coupled to a single light beam diffracted by the optics.
- 5 10. The laser probe of claim 1 further comprising:  
a housing at least partially enclosing the two or more receiving optical fibers.

11. A coupling for a laser probe comprising:  
a housing;  
optics located in the housing, the optics for diffracting a beam of incident  
light;  
5 a first connector located on one side of the optics; and  
a second connector located on the other side of the optics.
12. The coupling of claim 11 wherein the optics further comprise:  
a first lens; and  
10 a second lens located opposite the first lens, the second lens comprising a  
diffractive surface.
13. The coupling of claim 12 wherein the first lens is an aspheric lens and the  
second lens is an aspheric lens with a diffractive surface.  
15
14. The coupling of claim 11 wherein the optics diffract the beam of light emitted  
by the emitting optical fiber into a two dimensional array of beam spots.
15. The coupling of claim 11 wherein the optics comprise a diffractive grating.  
20
16. The coupling of claim 11 wherein the optics comprise a hybrid surface grating  
/ volume hologram multiplex grating assembly.
17. The coupling of claim 16 wherein the grating assembly further comprises:  
25 a generally circular surface grating section located in a center of the grating  
assembly, the surface grating section for diffracting an incident beam at a lower bend  
angle; and  
a generally ring-like volume hologram section located around a periphery of  
the surface grating section, the volume hologram section for diffracting an incident  
30 beam at a higher bend angle.
18. The coupling of claim 11 wherein the first and second connectors are SMA  
connectors.
- 35 19. The coupling of claim 11 wherein at least one of the first and second  
connectors comprises a mechanism for aligning optical fibers.

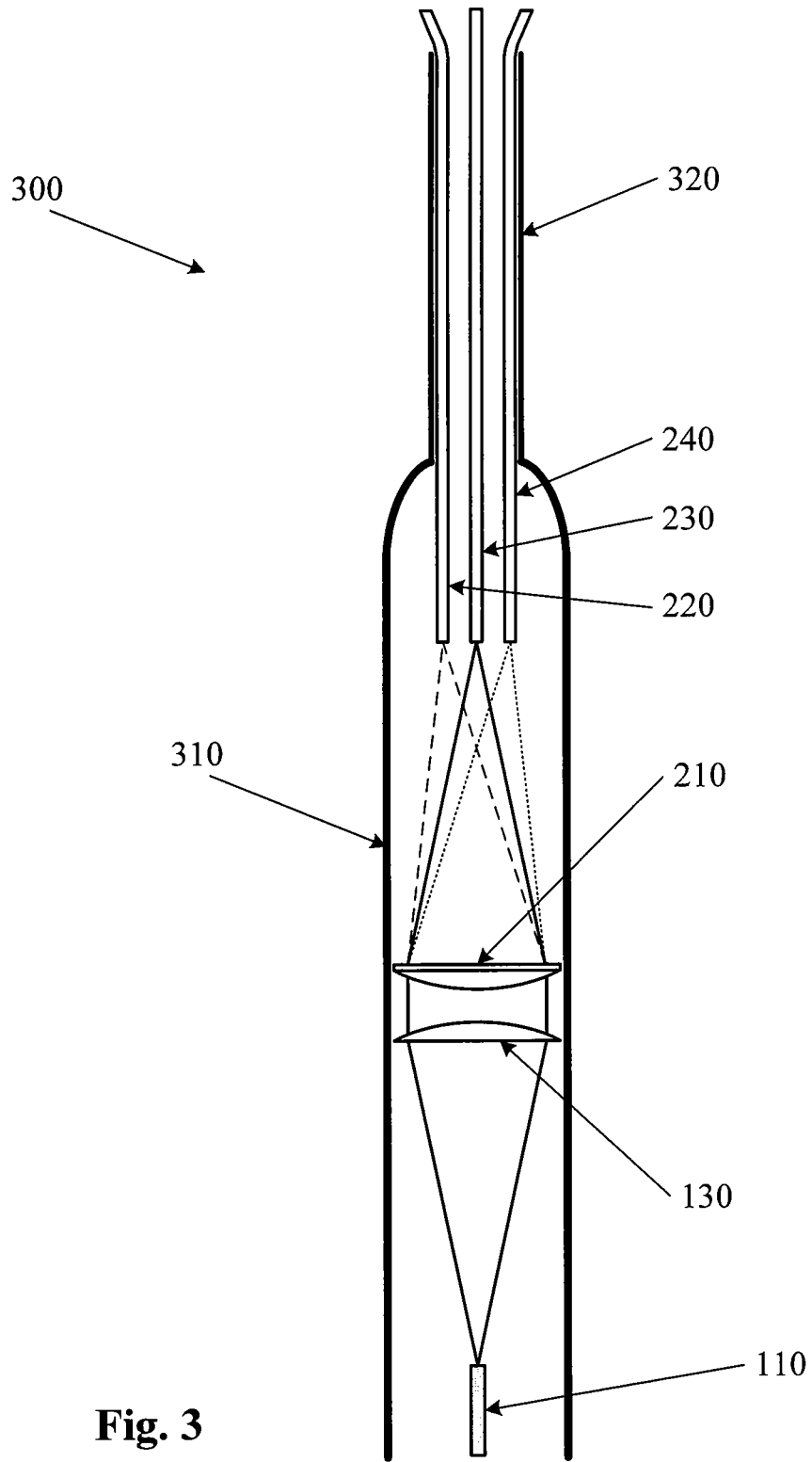
20. An ophthalmic laser probe comprising:  
an emitting optical fiber for emitting a beam of light; and  
optics located on the emitting side of the emitting optical fiber, the optics for  
at least diffracting the beam of light emitted by the emitting optical fiber into two or  
5 more diffracted beams of light.
21. The laser probe of claim 20 wherein the optics comprise a diffractive grating.
22. The laser probe of claim 20 wherein the optics comprise a hybrid surface  
10 grating / volume hologram multiplex grating assembly.
23. The laser probe of claim 22 wherein the grating assembly further comprises:  
a generally circular surface grating section located in a center of the grating  
assembly, the surface grating section for diffracting an incident beam at a lower bend  
15 angle; and  
a generally ring-like volume hologram section located around a periphery of  
the surface grating section, the volume hologram section for diffracting an incident  
beam at a higher bend angle.
- 20 24. The laser probe of claim 20 wherein the optics comprise a diffractive grating  
with a collimating capability.
25. The laser probe of claim 20 further comprising:  
a housing at least partially enclosing the emitting optical fiber.  
25
26. The laser probe of claim 20 further comprising:  
a cannula at least partially enclosing the emitting optical fiber.
27. The laser probe of claim 20 further comprising:  
30 a centering cylinder located in the cannula, the centering cylinder for centering  
the emitting optical fiber in the cannula.



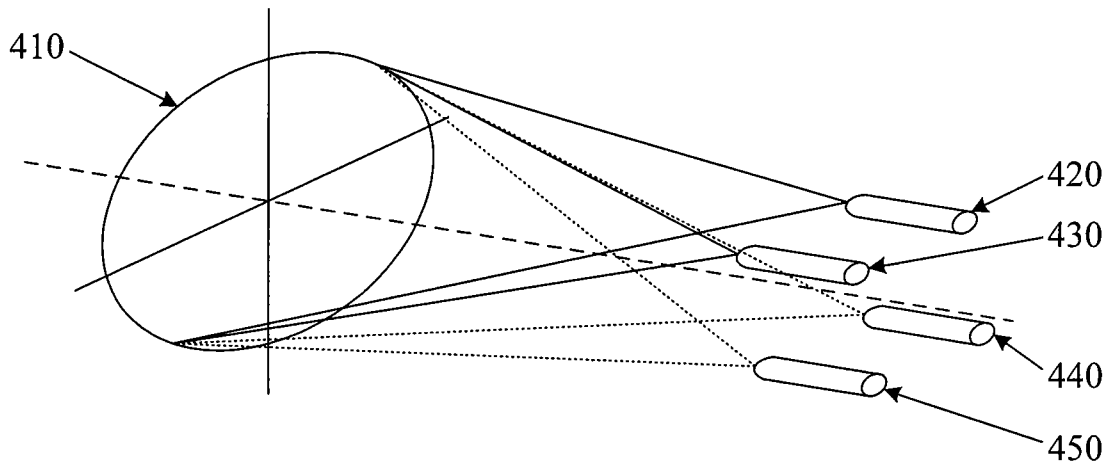
**Fig. 1**



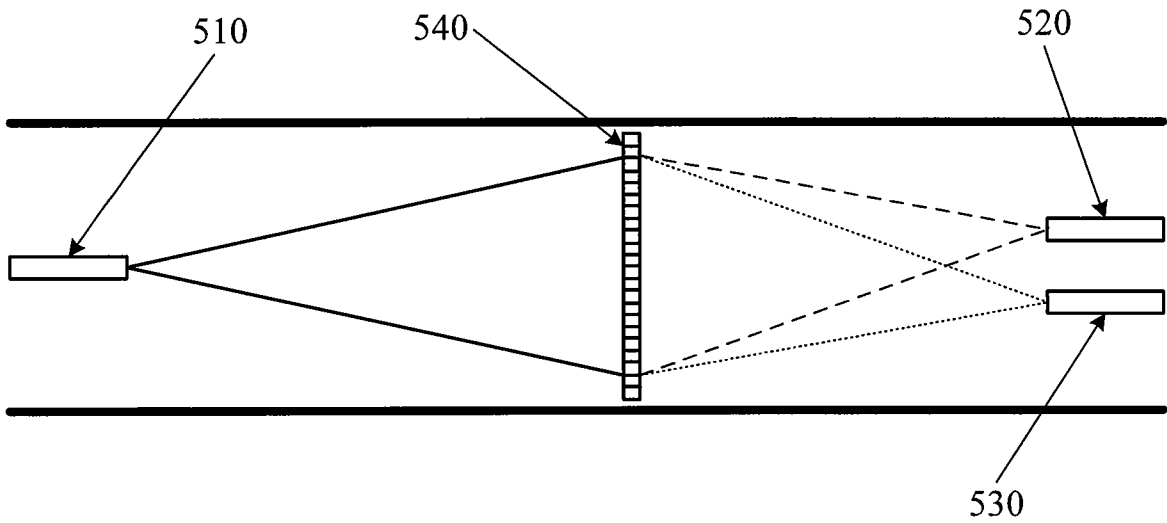
**Fig. 2**



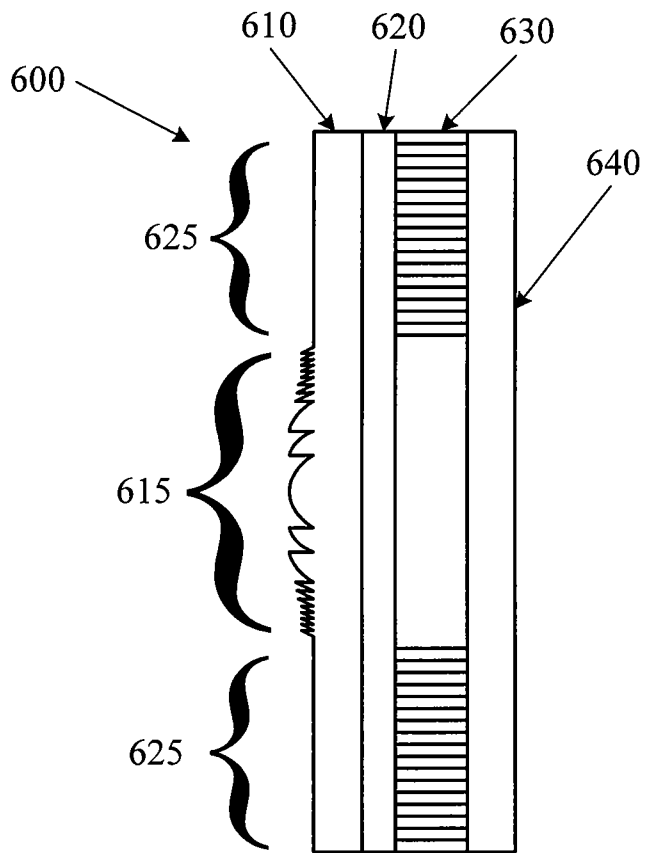
**Fig. 3**



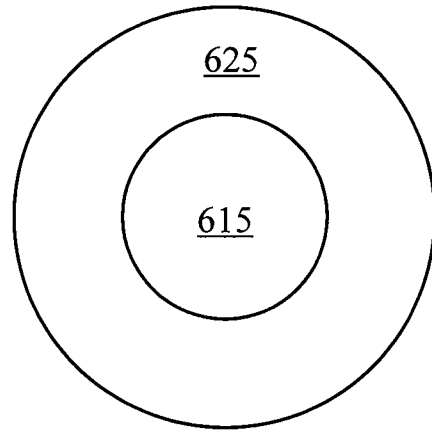
**Fig. 4**



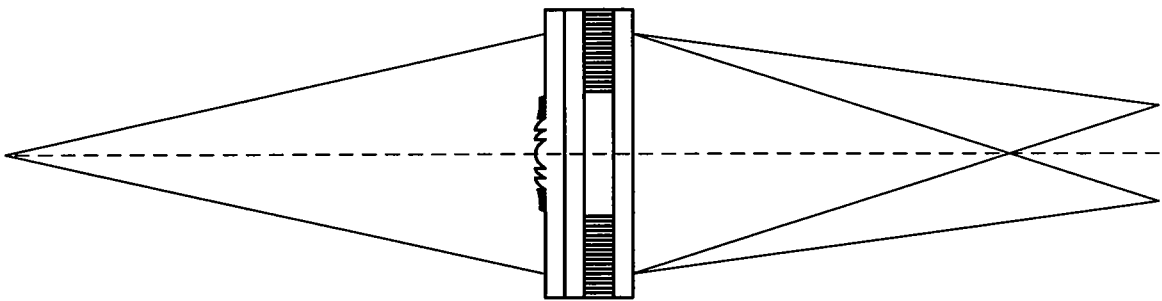
**Fig. 5**



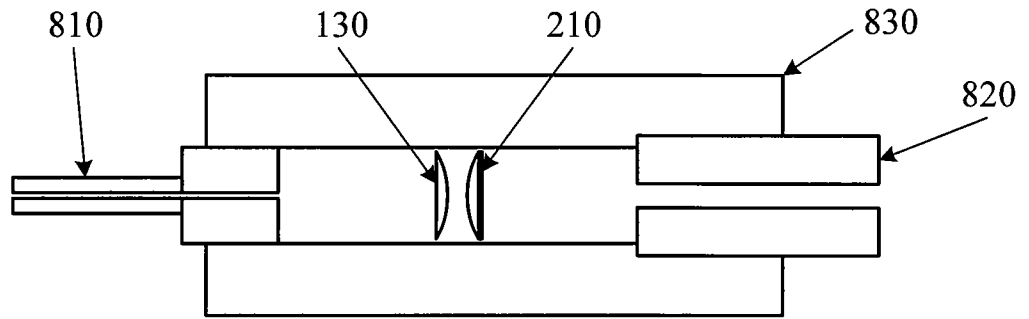
**Fig. 6A**



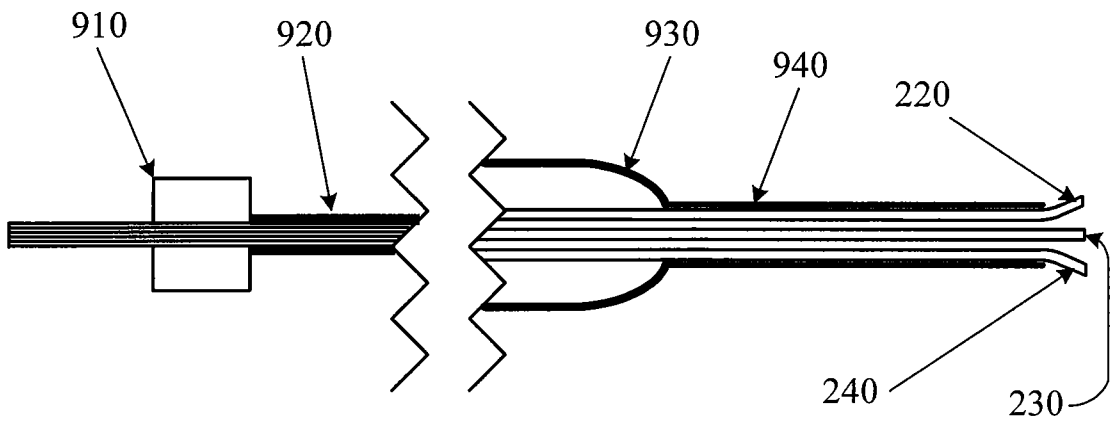
**Fig. 6B**



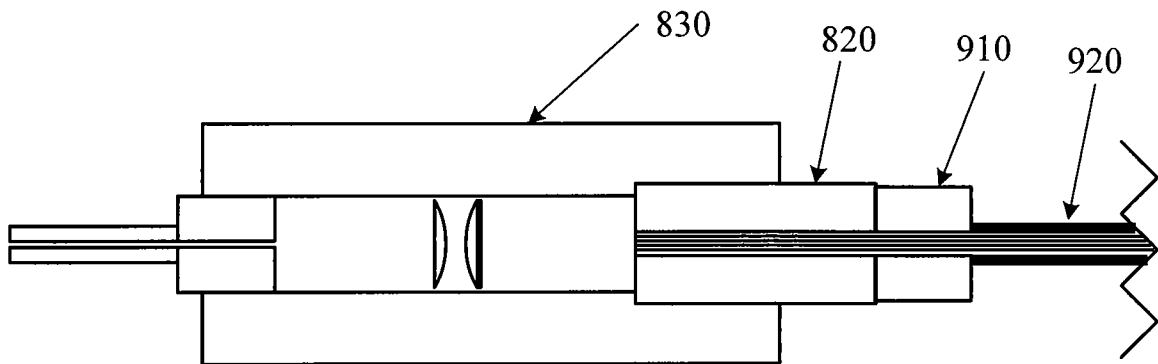
**Fig. 7**



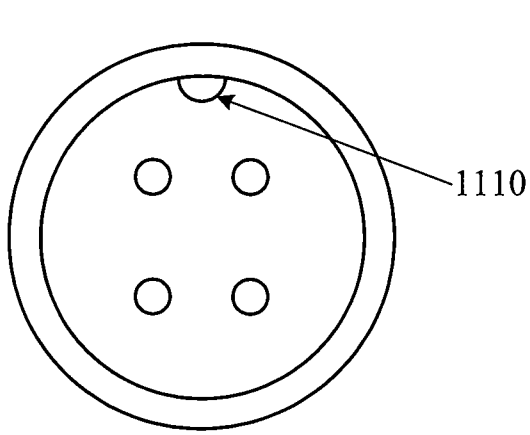
**Fig. 8**



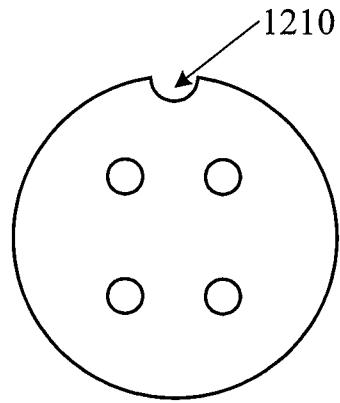
**Fig. 9**



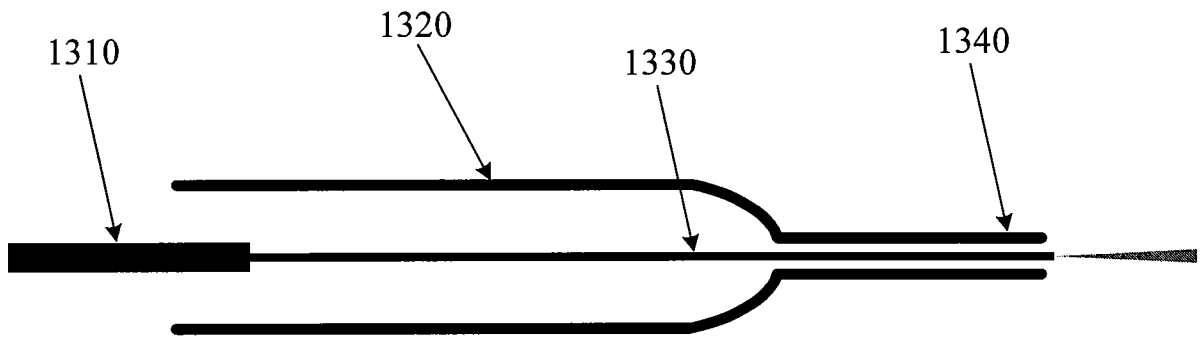
**Fig. 10**



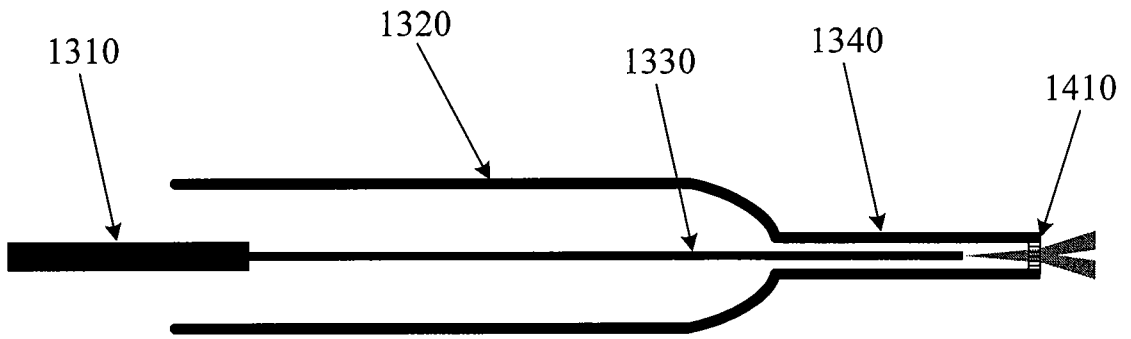
**Fig. 11**



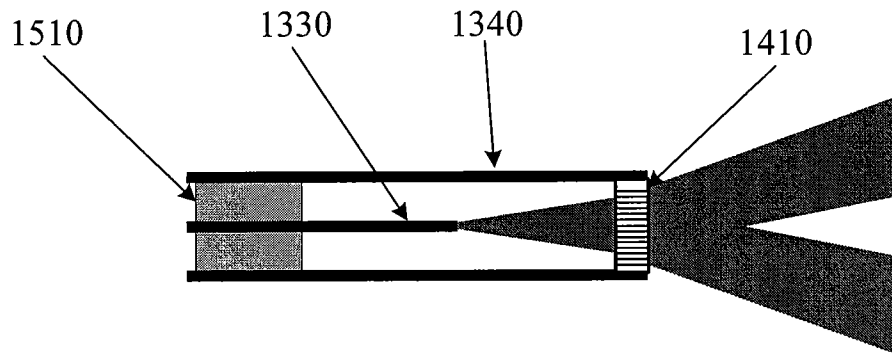
**Fig. 12**



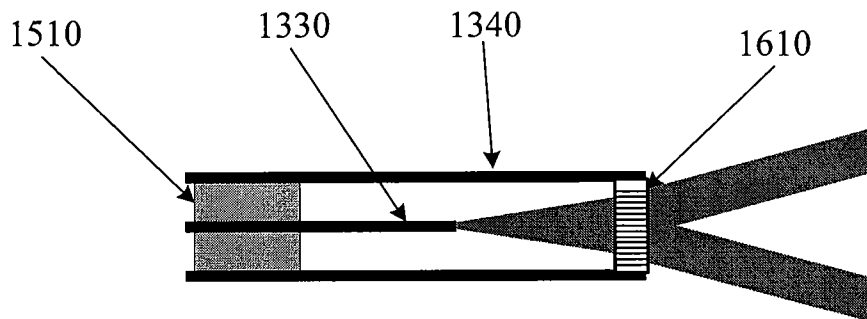
**Fig. 13**



**Fig. 14**



**Fig. 15**



**Fig. 16**

**INTERNATIONAL SEARCH REPORT**

International application No  
PCT/US2008/066462

**A. CLASSIFICATION OF SUBJECT MATTER**  
INV. A61B18/22 A61F9/008

According to International Patent Classification (IPC) or to both national classification and IPC

**B. FIELDS SEARCHED**

Minimum documentation searched (classification system followed by classification symbols)  
A61B A61F G02B

Documentation searched other than minimum documentation to the extent that such documents are included in the fields searched

Electronic data base consulted during the international search (name of data base and, where practical, search terms used)

EPO-Internal

**C. DOCUMENTS CONSIDERED TO BE RELEVANT**

Category*	Citation of document, with indication, where appropriate, of the relevant passages	Relevant to claim No.
X	US 5 396 571 A (SAADATMANESH VAHID [US] ET AL) 7 March 1995 (1995-03-07)	1-4, 9-14, 18-20, 25-27
Y	figures 2-6,10	5, 8, 15, 21
Y	EP 1 191 359 A (FUJI ELECTRIC CO LTD [JP]) 27 March 2002 (2002-03-27) figure 6B paragraph [0045] - paragraph [0052]	5, 15, 21
X	US 6 096 028 A (BAHMANYAR SINA [US] ET AL) 1 August 2000 (2000-08-01) column 6, line 64 - column 7, line 64 figure 10	20, 21, 24-27
	----- -/--	

Further documents are listed in the continuation of Box C:  See patent family annex.

\* Special categories of cited documents:

*A* document defining the general state of the art which is not considered to be of particular relevance	*T* later document published after the international filing date or priority date and not in conflict with the application but cited to understand the principle or theory underlying the invention
*E* earlier document but published on or after the international filing date	*X* document of particular relevance; the claimed invention cannot be considered novel or cannot be considered to involve an inventive step when the document is taken alone
*L* document which may throw doubts on priority claim(s) or which is cited to establish the publication date of another citation or other special reason (as specified)	*Y* document of particular relevance; the claimed invention cannot be considered to involve an inventive step when the document is combined with one or more other such documents, such combination being obvious to a person skilled in the art.
*O* document referring to an oral disclosure, use, exhibition or other means	*Z* document member of the same patent family
*P* document published prior to the international filing date but later than the priority date claimed	

Date of the actual completion of the international search  21 November 2008	Date of mailing of the international search report  27/11/2008
---	--

Name and mailing address of the ISA/ European Patent Office, P.B. 5818 Patentlaan 2 NL - 2280 HV Rijswijk Tel. (+31-70) 340-2040, Fax: (+31-70) 340-3016	Authorized officer  Cornelissen, P
--	--

## INTERNATIONAL SEARCH REPORT

International application No  
PCT/US2008/066462

C(Continuation). DOCUMENTS CONSIDERED TO BE RELEVANT

Category*	Citation of document, with indication, where appropriate, of the relevant passages	Relevant to claim No.
A	WO 2006/116141 A (CYNOSURE INC; MIRKOV MIRKO G [US]; SIERRA RAFAEL A [US]; CHO GEORGE E) 2 November 2006 (2006-11-02) figures 2-5,11 -----	20-27
A	US 4 062 043 A (ZEIDLER GUENTER ET AL) 6 December 1977 (1977-12-06) the whole document -----	6,7,16, 17,22,23
Y	WO 99/08612 A (FONTENOT MARK G [US]) 25 February 1999 (1999-02-25) figures 1-4 -----	8

# INTERNATIONAL SEARCH REPORT

Information on patent family members

International application No  
PCT/US2008/066462

Patent document cited in search report	A	Publication date	Patent family member(s)	Publication date
US 5396571	A	07-03-1995	NONE	
EP 1191359	A	27-03-2002	NONE	
US 6096028	A	01-08-2000	AU 7729596 A	29-05-1997
			EP 0929255 A1	21-07-1999
			JP 2000500043 T	11-01-2000
			WO 9717011 A1	15-05-1997
			US 6066128 A	23-05-2000
			US 5921981 A	13-07-1999
WO 2006116141	A	02-11-2006	CA 2605604 A1	02-11-2006
			EP 1899010 A1	19-03-2008
			JP 2008536653 T	11-09-2008
			KR 20080028356 A	31-03-2008
			US 2006247609 A1	02-11-2006
US 4062043	A	06-12-1977	DE 2415046 A1	02-10-1975
			FR 2266387 A1	24-10-1975
			GB 1507894 A	19-04-1978
			GB 1508298 A	19-04-1978
			GB 1508121 A	19-04-1978
			GB 1508567 A	26-04-1978
			JP 50137152 A	31-10-1975
WO 9908612	A	25-02-1999	AU 9102798 A	08-03-1999