



US00D817113S

(12) **United States Design Patent** (10) **Patent No.:** **US D817,113 S**  
**Wong** (45) **Date of Patent:** **\*\* May 8, 2018**

(54) **LUNCH BOX** B65D 17/06; B65D 17/50; B65D 11/18;  
B65D 1/34; B65D 1/36; B65D 1/22;  
(71) Applicant: **Abdoolally Ebrahim Housewares** B65D 1/24  
**Limited, Kowloon (HK)** See application file for complete search history.

(72) Inventor: **Wai Hang Wong, Kowloon (HK)**  
(73) Assignee: **Abdoolally Ebrahim Housewares**  
**Limited, Kowloon (HK)**

(\*\*) Term: **15 Years**

(21) Appl. No.: **29/557,495**

(22) Filed: **Mar. 9, 2016**

(51) **LOC (11) Cl.** ..... **09-07**

(52) **U.S. Cl.**  
USPC ..... **D7/629**

(58) **Field of Classification Search**  
USPC ..... D7/615, 300, 590, 591, 594, 595, 597,  
D7/599, 602, 612, 613, 614, 708, 619.1,  
D7/619.2, 641, 300.1, 301, 302, 589, 603,  
D7/604, 605, 606, 608, 701, 702, 703,  
D7/707, 622, 623, 710, 628, 629, 630;  
D9/600, 601, 643, 644, 645, 646, 647,  
D9/648, 655, 659, 661, 738, 761, 767,  
D9/772, 773, 500, 516, 537, 538, 539,  
D9/540, 541, 542, 543, 545, 549, 550,  
D9/558, 559, 563, 567, 573, 574, 575,  
D9/552, 554, 565, 737, 756, 759, 760,  
D9/501, 502, 503, 504, 414, 416, 419,  
D9/428, 432, 438

CPC ..... A47G 19/20; A47G 19/12; A47G 23/04;  
A47G 23/06; B65D 1/00; B65D 1/02;  
B65D 1/10; B65D 1/12; B65D 1/23;  
B65D 1/06; B65D 1/14; B65D 1/16;  
B65D 1/26; B65D 3/00; B65D 3/02;  
B65D 3/04; B65D 7/00; B65D 7/02;  
B65D 7/04; B65D 9/02; B65D 11/00;  
B65D 11/02; B65D 13/00; B65D 15/00;  
B65D 15/02; B65D 17/00; B65D 17/02;  
B65D 23/00; B65D 39/00; B65D 77/00;  
B65D 2543/00296; B65D 2543/00842;

(56) **References Cited**  
U.S. PATENT DOCUMENTS  
D26,064 S 9/1896 Sciioxdelmeier  
1,737,249 A 11/1929 Philip  
D113,857 S 3/1939 Sundee  
3,410,697 A \* 11/1968 Stephenson ..... B65D 43/00  
229/123.2  
D231,616 S 5/1974 Hildebrant  
D235,215 S 5/1975 Larsen  
D240,003 S 5/1976 Gairard  
D244,822 S 6/1977 Havelly et al.  
D246,289 S \* 11/1977 Boucher ..... D7/542  
(Continued)

**OTHER PUBLICATIONS**  
Abdoolally Ebrahim Housewares Limited, Healthy Box Family,  
Oct. 2014, 19 pages, presented in Canada and United States.

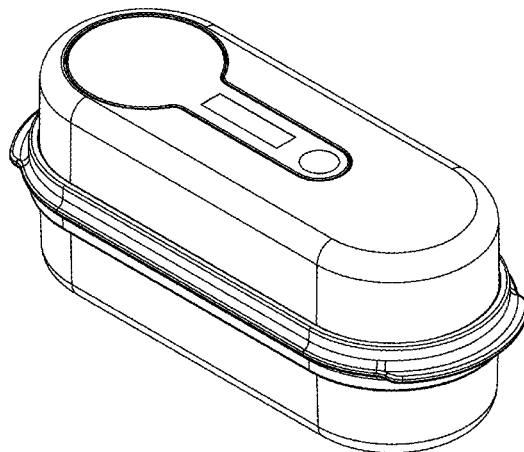
*Primary Examiner* — Shannon Morgan  
(74) *Attorney, Agent, or Firm* — Schacht Law Office,  
Inc.; Dwayne Rogge

(57) **CLAIM**  
The ornamental design for a lunch box, as shown and  
described.

**DESCRIPTION**

FIG. 1 is a top perspective view of a lunch box showing the  
new design.  
FIG. 2 is a left side thereof.  
FIG. 3 is a right side view thereof.  
FIG. 4 is a top view thereof.  
FIG. 5 is a rear view thereof.  
FIG. 6 is a front view thereof; and,  
FIG. 7 is a bottom view thereof.

**1 Claim, 4 Drawing Sheets**



(56)

References Cited

U.S. PATENT DOCUMENTS

D250,433 S *	11/1978	Malcolm	D3/282	D638,739 S	5/2011	Rockefeller	
4,216,862 A	8/1980	Daenen		D640,131 S *	6/2011	Gibson	D9/426
D257,107 S	9/1980	Daenen et al.		D642,868 S	8/2011	Shah	
D259,167 S	5/1981	Daenen		D644,883 S	9/2011	Samartgis	
D261,105 S	10/1981	Schwartz		D644,884 S	9/2011	Samartgis	
4,300,700 A *	11/1981	Chang	B65D 43/0204 220/212	D644,885 S	9/2011	Samartgis	
D288,395 S	2/1987	Ritman		D644,886 S	9/2011	Samartgis	
4,830,190 A	5/1989	Inagaki		D647,358 S	10/2011	Smyers	
D349,238 S	8/1994	Haber		D647,401 S	10/2011	Stein	
D351,969 S	11/1994	Daenen et al.		D649,839 S	12/2011	Stamper et al.	
5,427,265 A *	6/1995	Cautereels	A45C 11/20 16/260	D649,869 S *	12/2011	Gibson	D9/421
D361,507 S	8/1995	Langemann		D650,267 S *	12/2011	Gibson	D9/420
D363,071 S	10/1995	Leu		D650,268 S *	12/2011	Gibson	D9/420
D369,497 S	5/1996	Seddon		D660,659 S	5/2012	Cohen	
5,743,397 A	4/1998	Traver		D665,072 S	8/2012	Trento et al.	
D418,021 S *	12/1999	Terracciano	D7/605	D669,742 S	10/2012	Cohen	
D421,901 S *	3/2000	Hill	D9/423	D682,052 S	5/2013	Thomas	
D460,690 S *	7/2002	Doerschlag	D3/203.2	D691,480 S	10/2013	Shukla	
6,412,653 B1 *	7/2002	Waterhouse	B01F 13/002 206/542	D695,575 S *	12/2013	Katz	D7/629
D464,425 S	10/2002	Meron et al.		D695,604 S *	12/2013	Wichowski	D9/420
D489,579 S *	5/2004	Wright	D7/629	D697,762 S	1/2014	Carlson	
D499,931 S	12/2004	Kim		D697,763 S	1/2014	Carlson	
D500,849 S	1/2005	Rinker et al.		D697,764 S	1/2014	Carlson	
D514,954 S *	2/2006	Kim	D9/757	D698,609 S	2/2014	Duvigneau	
D523,296 S	6/2006	Kim		D700,480 S	3/2014	Yessin et al.	
D525,120 S *	7/2006	Maskell	D9/428	D700,481 S	3/2014	Yessin et al.	
D563,597 S *	3/2008	Kuylenstierna	D27/189	D704,503 S	5/2014	Manley	
D566,484 S *	4/2008	George	D3/294	D708,913 S	7/2014	Ng	
D592,313 S	5/2009	Levine		D718,983 S	12/2014	Yessin et al.	
D598,748 S	8/2009	Zeyfang		D721,283 S	1/2015	Lawrance	
D601,383 S	10/2009	Shah		D721,958 S	2/2015	Hamway	
D601,388 S	10/2009	Carlson		D733,641 S	7/2015	Mathonet et al.	
D601,399 S	10/2009	Chen		D743,751 S	11/2015	Stokke et al.	
D606,813 S	12/2009	Kim		D763,681 S	8/2016	Morgan et al.	
D612,042 S	3/2010	Noren		D778,173 S	2/2017	Pisarevsky	
D614,919 S	5/2010	Carlson		D779,973 S	2/2017	Na	
D630,898 S	1/2011	Groote		D780,534 S	3/2017	Oliver	
D630,899 S	1/2011	Samartgis		2008/0188365 A1 *	8/2008	Dalla Piazza	A47J 43/24 494/84
D631,299 S	1/2011	Samartgis		2010/0084396 A1	4/2010	Wu	
D631,707 S	2/2011	Samartgis		2013/0233854 A1 *	9/2013	Smyers	B65D 53/00 220/240
D636,641 S	4/2011	Smyers		2013/0234406 A1 *	9/2013	Harvey	B65D 53/02 277/645
				2016/0045054 A1	2/2016	Su	

\* cited by examiner

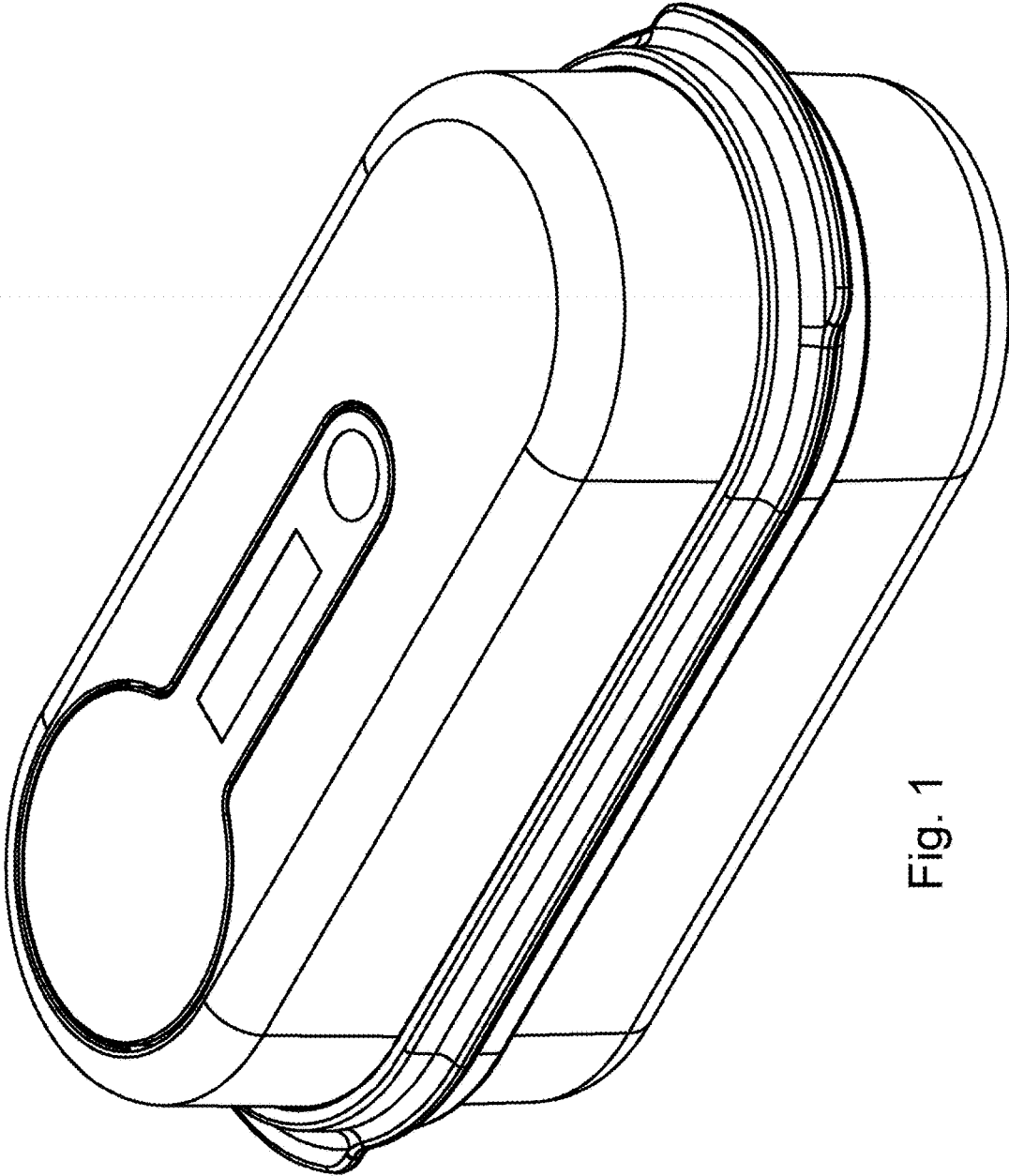


Fig. 1

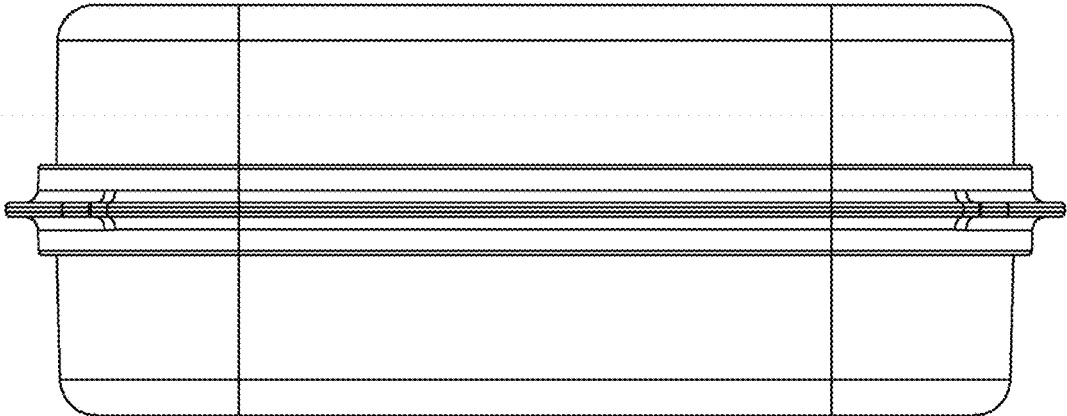


Fig. 2

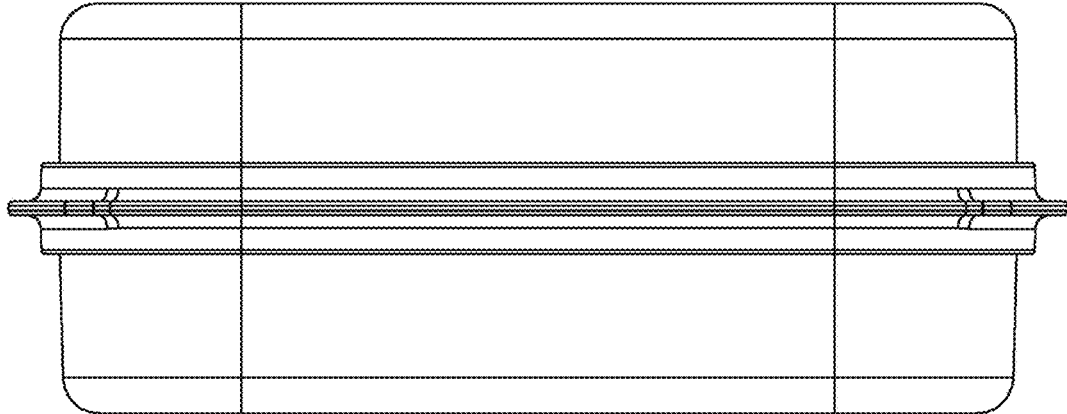


Fig. 3

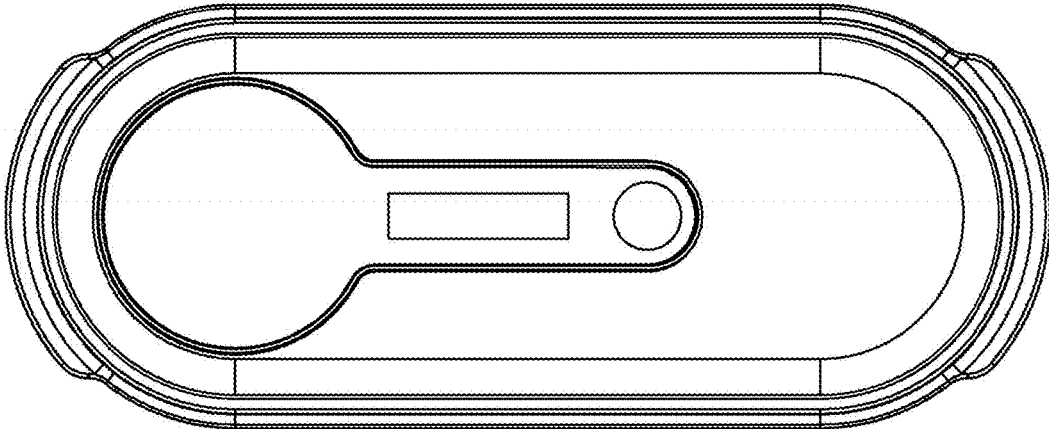


Fig. 4

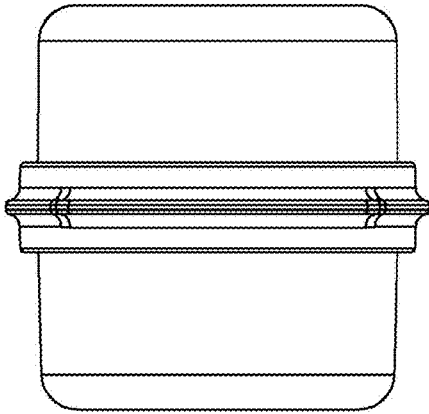


Fig. 5

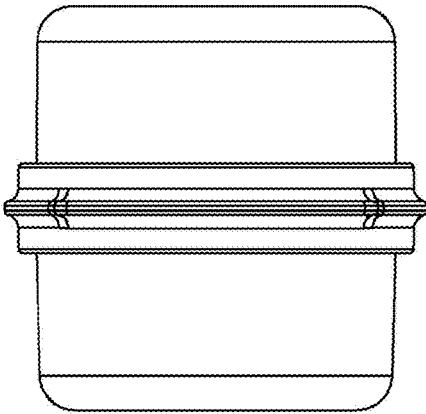


Fig. 6

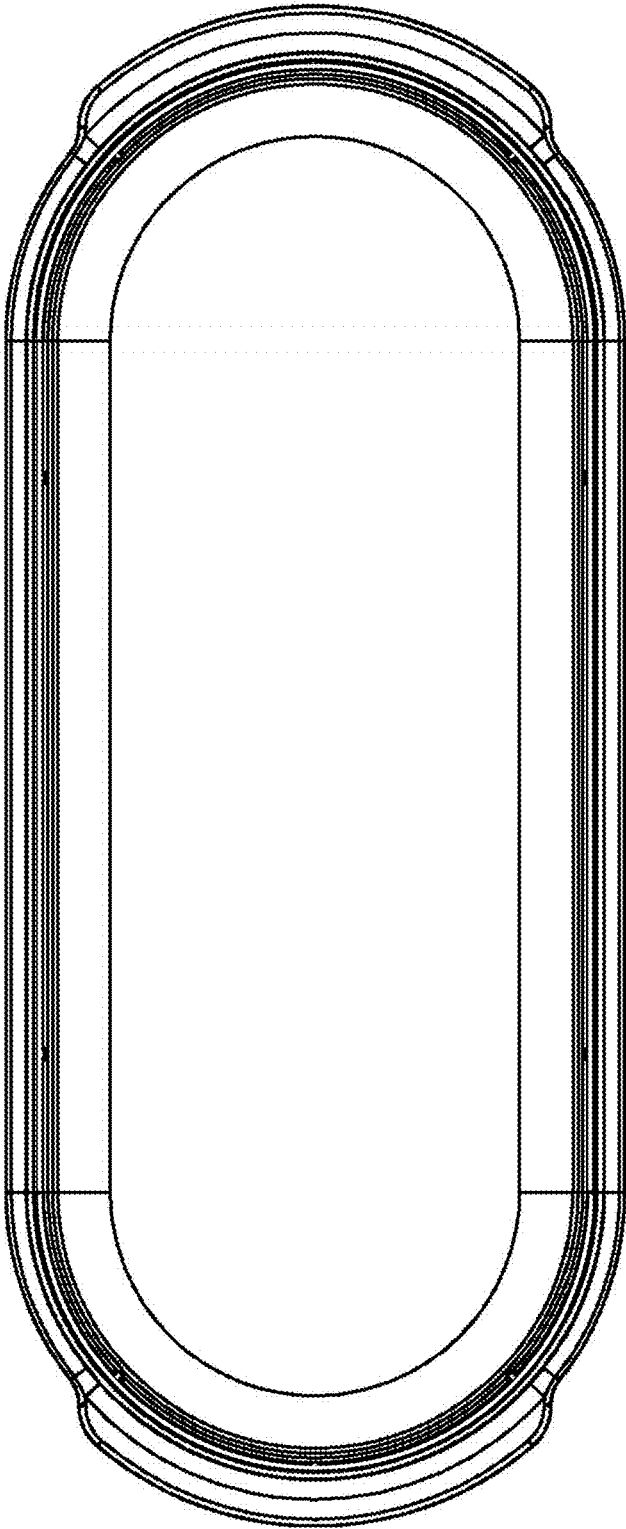


Fig. 7