



US00D724712S

(12) **United States Design Patent**
Bates

(10) **Patent No.:** **US D724,712 S**

(45) **Date of Patent:** **** Mar. 17, 2015**

(54) **TOILET**

D523,126 S 6/2006 Bates
D621,012 S 8/2010 Bucher
D621,013 S 8/2010 Bucher

(71) Applicant: **Kohler Co.**, Kohler, WI (US)

(Continued)

(72) Inventor: **Michael R. Bates**, Rogers, MN (US)

OTHER PUBLICATIONS

(73) Assignee: **Kohler Co.**, Kohler, WI (US)

Toto, Eco Soirée® One-Piece Toilet; 1.28GPF; 2 pages; Dec. 2012.

(**) Term: **14 Years**

(Continued)

(21) Appl. No.: **29/493,923**

Primary Examiner — Robert Delehanty

(74) *Attorney, Agent, or Firm* — Foley & Lardner LLP

(22) Filed: **Jun. 16, 2014**

(57) **CLAIM**

I claim the ornamental design for a toilet, as shown and described.

Related U.S. Application Data

DESCRIPTION

(62) Division of application No. 29/480,989, filed on Jan. 31, 2014.

FIG. 1 is a perspective view of an embodiment of the claimed design;

(51) **LOC (10) Cl.** **23-02**

FIG. 2 is a front plan view of the design of FIG. 1;

(52) **U.S. Cl.**

FIG. 3 is a rear plan view of the design of FIG. 1;

USPC **D23/309**

FIG. 4 is a left side plan view of the design of FIG. 1;

(58) **Field of Classification Search**

FIG. 5 is a right side plan view of the design of FIG. 1;

USPC D23/295, 301, 303, 309, 313; 4/353, 4/420, DIG. 15

FIG. 6 is a top plan view of the design of FIG. 1; and, FIG. 7 is a cross-sectional view taken from the cross-section 7-7 shown in FIG. 5.

See application file for complete search history.

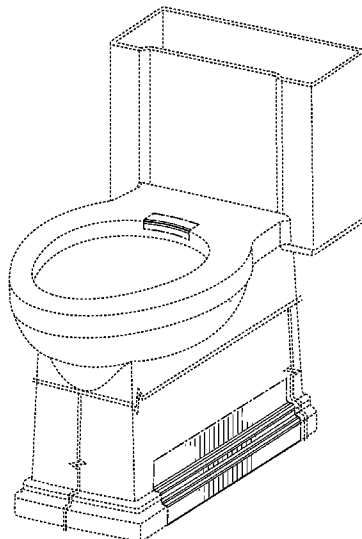
The ornamental design which is claimed is shown in solid lines in the drawings. The broken lines in the drawings are for illustrative purposes only and form no part of the claimed design. Broken lines formed by equal length dashes show unclaimed portions of the design. Broken lines formed of unequal length dashes (i.e., dash-dot) show boundaries between claimed and unclaimed portions of the design. Dashed lines having a jagged element are not part of the claimed design and show that no particular length of the portion is claimed, such that a length of the portion could be shorter or longer. Portions shown in stipple shading as opposed to line shading show contrasting surfaces unlimited by colors.

(56) **References Cited**

U.S. PATENT DOCUMENTS

D86,995 S	5/1932	Brain
D323,880 S	2/1992	McKeone et al.
D387,858 S	12/1997	McKeone
D441,437 S	5/2001	McKeone
D444,864 S	7/2001	McKeone
D455,822 S	4/2002	McKeone
D496,442 S	9/2004	Bates
D496,443 S	9/2004	Bates
D506,537 S	6/2005	Lanius
D514,673 S	2/2006	Lanius
D515,185 S	2/2006	Daikubara
D515,186 S	2/2006	Lanius

1 Claim, 7 Drawing Sheets



(56)

References Cited

OTHER PUBLICATIONS

U.S. PATENT DOCUMENTS

D621,488 S	8/2010	Bucher
D628,279 S	11/2010	Jiang
D647,184 S	10/2011	Bates
D657,852 S	4/2012	Vanderheyden et al.
D667,092 S	9/2012	Vanderheyden et al.
D670,368 S	11/2012	Vanderheyden et al.
D685,071 S	6/2013	Vanderheyden et al.

Toto, Eco Guinevere® One-Piece Toilet; 1.28 GPF, 2 pages; Jun. 2009.

American Standard; Boulevard® Siphonic Dual Flush Right Height® Elongated One-Piece Toilet with Seat; 2 pages; May 2011.

Non Final Office Action in U.S. Appl. No. 29/480,989 dated Jul. 2, 2014.

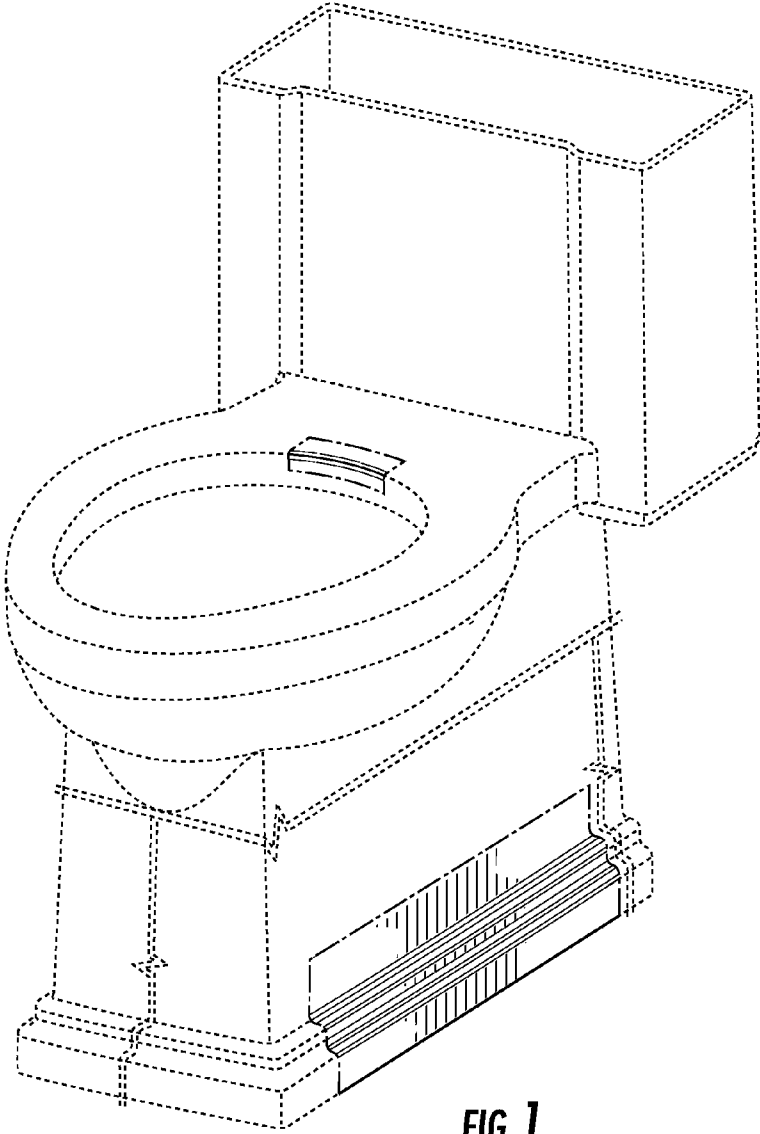


FIG. 1

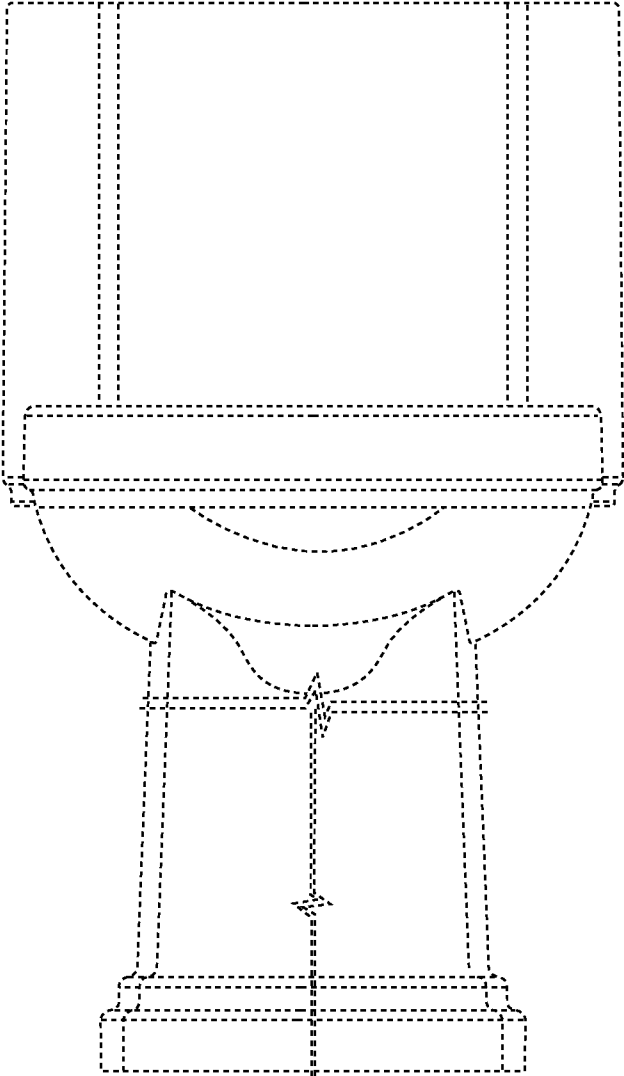


FIG. 2

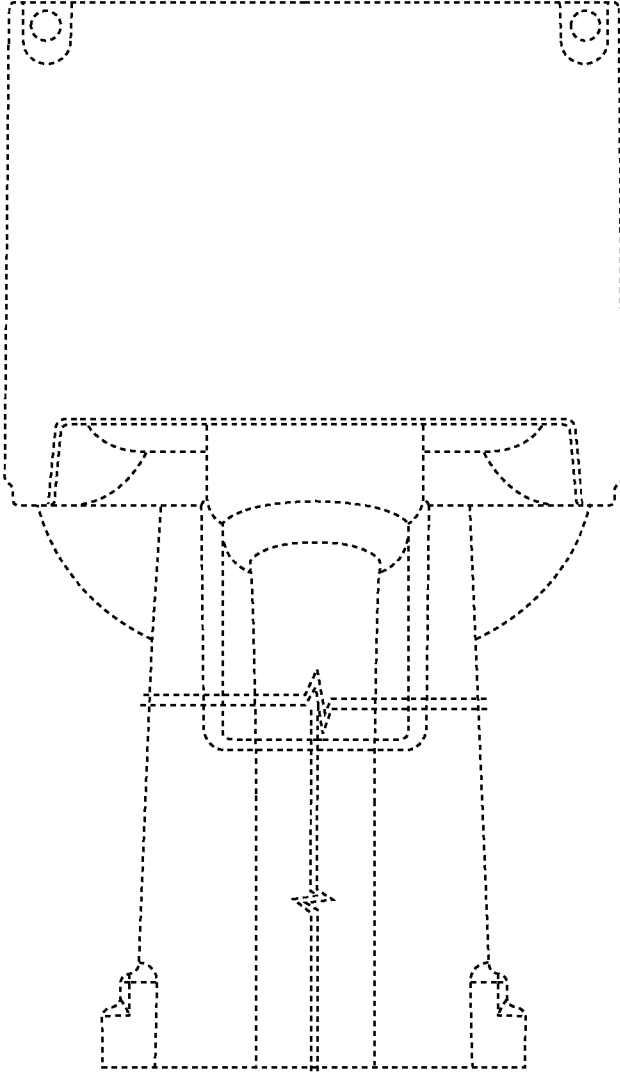


FIG. 3

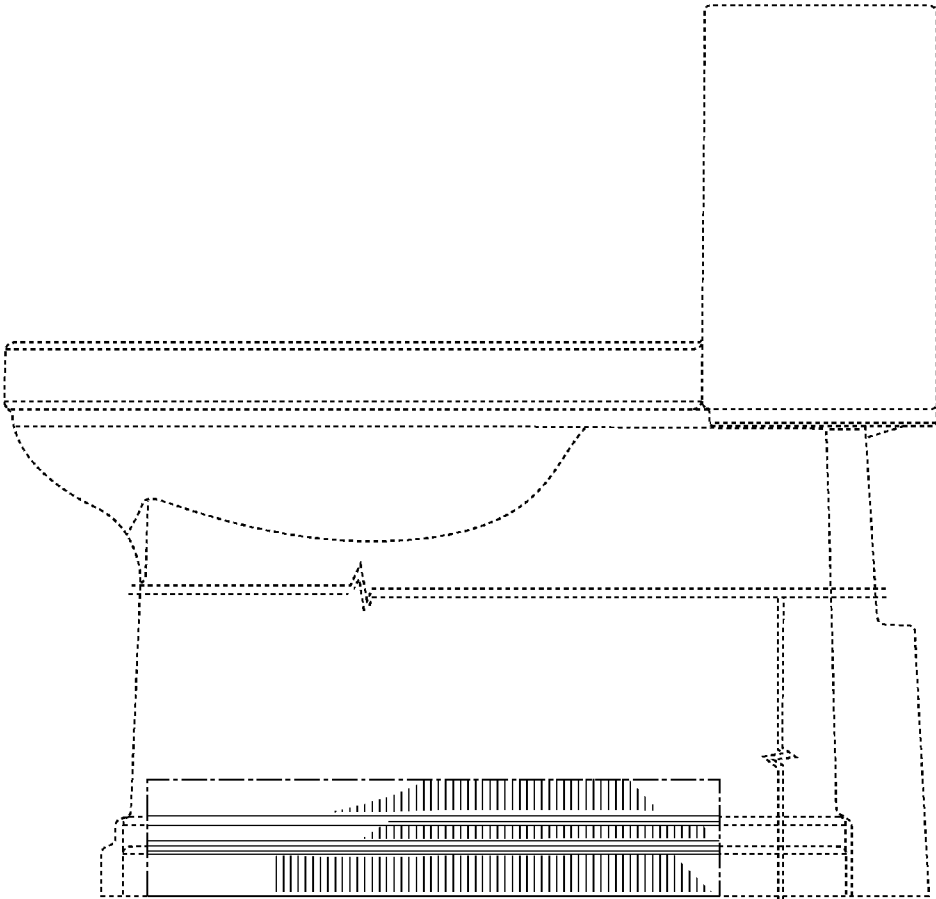


FIG. 4

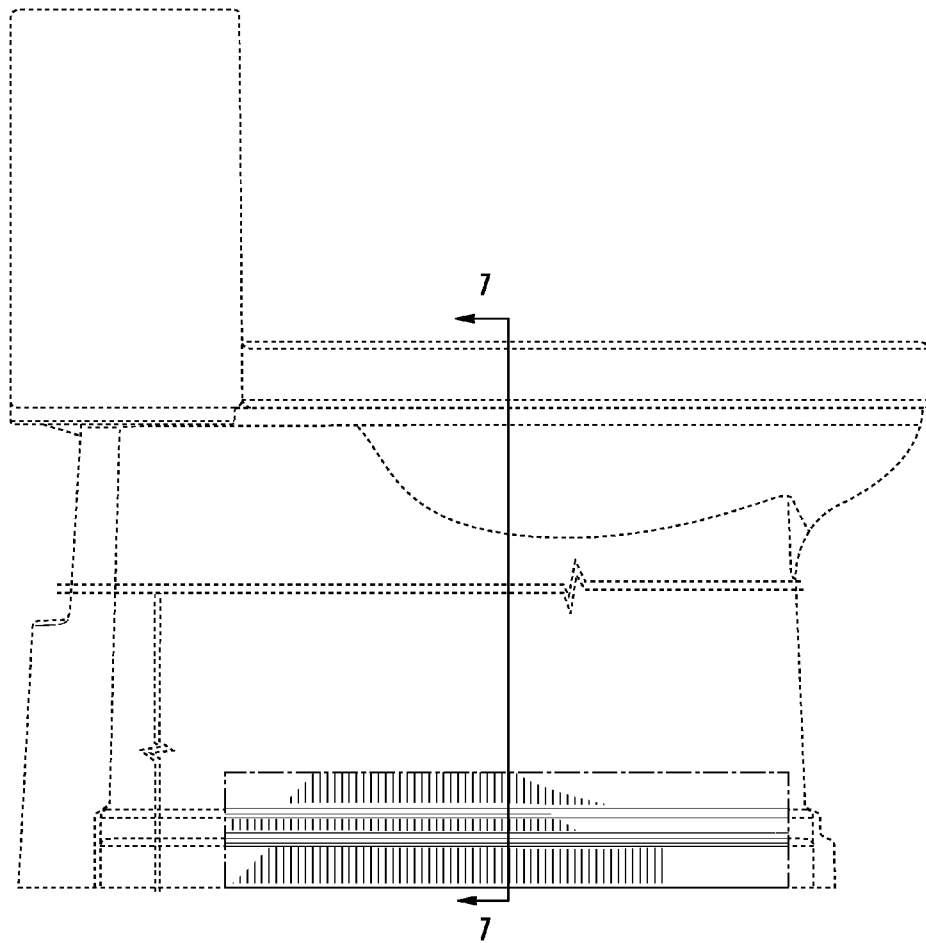


FIG. 5

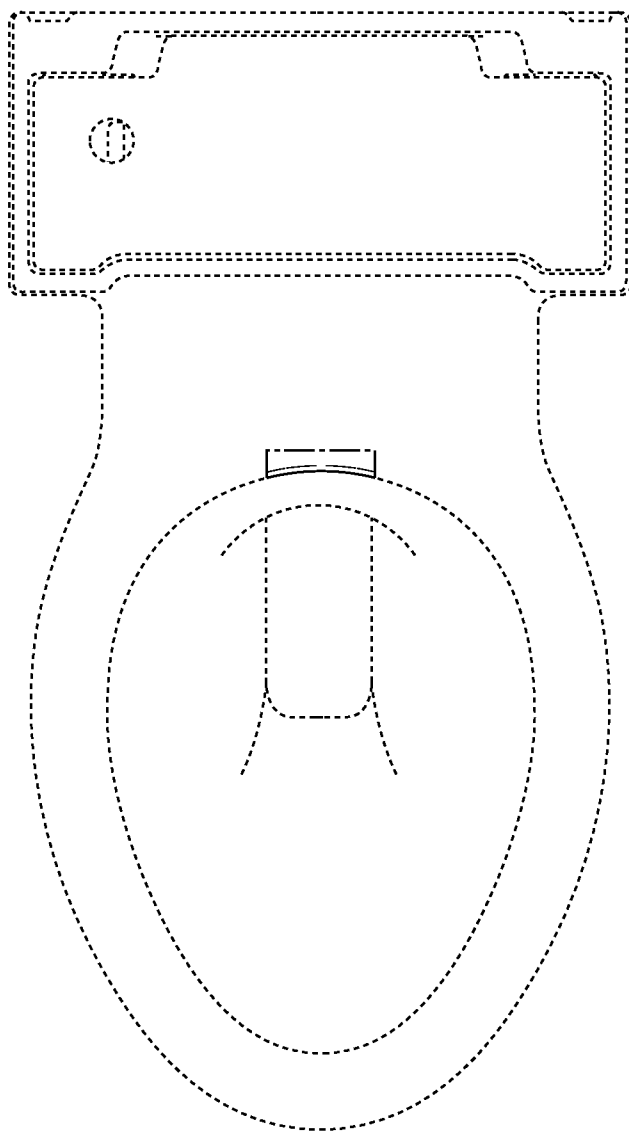


FIG. 6

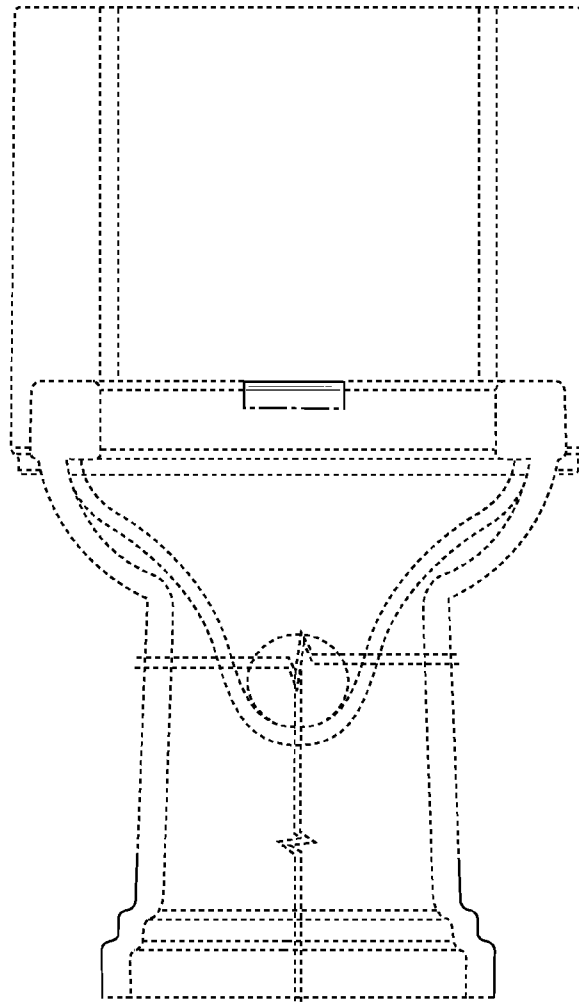


FIG. 7