



(12) **United States Design Patent**
Liuzza

(10) **Patent No.:** **US D959,080 S**
(45) **Date of Patent:** **** Jul. 26, 2022**

- (54) **FOLDED PLATE SCRAPER**
- (71) Applicant: **Victor Liuzza**, Fleming Island, FL (US)
- (72) Inventor: **Victor Liuzza**, Fleming Island, FL (US)
- (**) Term: **15 Years**
- (21) Appl. No.: **29/736,075**
- (22) Filed: **May 27, 2020**
- (51) **LOC (13) Cl.** **07-05**
- (52) **U.S. Cl.**
USPC **D32/46**
- (58) **Field of Classification Search**
USPC D32/40-42, 46-49
CPC .. A47L 1/16; A47L 13/46; A47L 13/06; A47J
43/288
See application file for complete search history.

D751,877 S	3/2016	Shlaferman	
D772,678 S	11/2016	Haarburger	
D811,034 S *	2/2018	Kent	D32/54
D843,075 S *	3/2019	Hamilton	D32/40
D846,216 S *	4/2019	Hamilton	D32/40
D935,715 S *	11/2021	Davenport	D32/40
2003/0200619 A1 *	10/2003	Kelsey	A45D 27/44 15/236.01

FOREIGN PATENT DOCUMENTS

GB 2096479 * 10/2000

OTHER PUBLICATIONS

Panini Scraper, Restaurant Equipment website 2022, site visited Mar. 21, 2022, <https://www.restaurantequipmentsolutions.com/GLOB-SMALL-SCRAPER.html>.*

* cited by examiner

Primary Examiner — John R Yeh
(74) *Attorney, Agent, or Firm* — Marks Gray, P.A.;
Mitchell Ghaneie; Christopher Roberts

(56) **References Cited**

U.S. PATENT DOCUMENTS

D204,480 S *	4/1966	Skarsten	15/236.08
D257,383 S	10/1980	Davenport	
D261,601 S *	11/1981	Kettlestrings	D32/40
D266,905 S *	11/1982	Wallis	D32/42
D270,105 S *	8/1983	Erickson	D32/42
D332,160 S *	12/1992	Kuzma	D7/688
D345,887 S *	4/1994	Heiberg	D7/381
D403,816 S *	1/1999	Zeilinger	D32/46
D508,586 S *	8/2005	Shurtleff	D32/49
D511,873 S *	11/2005	Vitantonio	D32/40
D529,772 S *	10/2006	Samaro	D8/16
D532,741 S *	11/2006	Lin	D32/46
D573,417 S *	7/2008	Osborn	D7/641
7,418,760 B2 *	9/2008	Birnbaum	A47L 13/022 15/236.08
D609,858 S *	2/2010	Ezell	D28/36
D613,473 S *	4/2010	Pierce	D32/46
D624,720 S *	9/2010	Motsenbocker	D32/46
D668,715 S	10/2012	Lieske et al.	
D681,344 S *	5/2013	Davis	D4/138

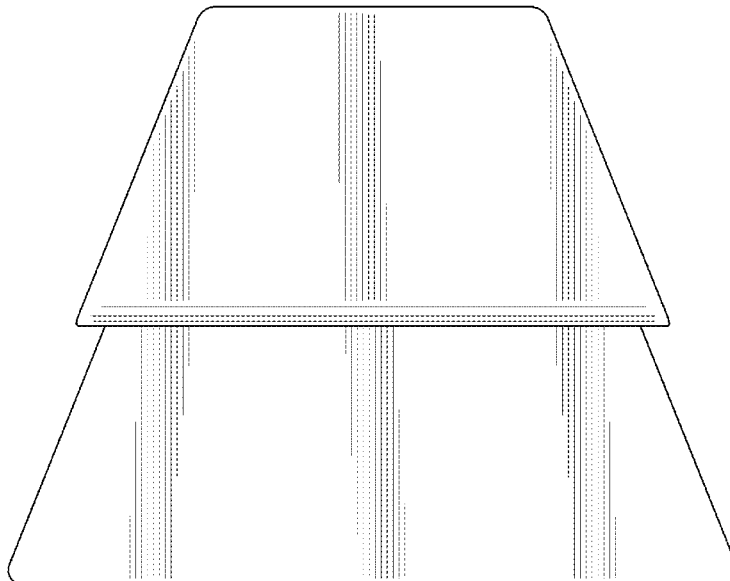
(57) **CLAIM**

The ornamental design for a folded plate scraper, as shown and described.

DESCRIPTION

FIG. 1 is a top plan view for a folded plate scraper showing my new design;
FIG. 2 is a bottom plan view thereof;
FIG. 3 is a right side elevation view thereof;
FIG. 4 is a left side elevation view thereof;
FIG. 5 is a rear elevation view thereof;
FIG. 6 is a front elevation view thereof;
FIG. 7 is a top isometric view thereof; and,
FIG. 8 is a bottom isometric view thereof.

1 Claim, 5 Drawing Sheets



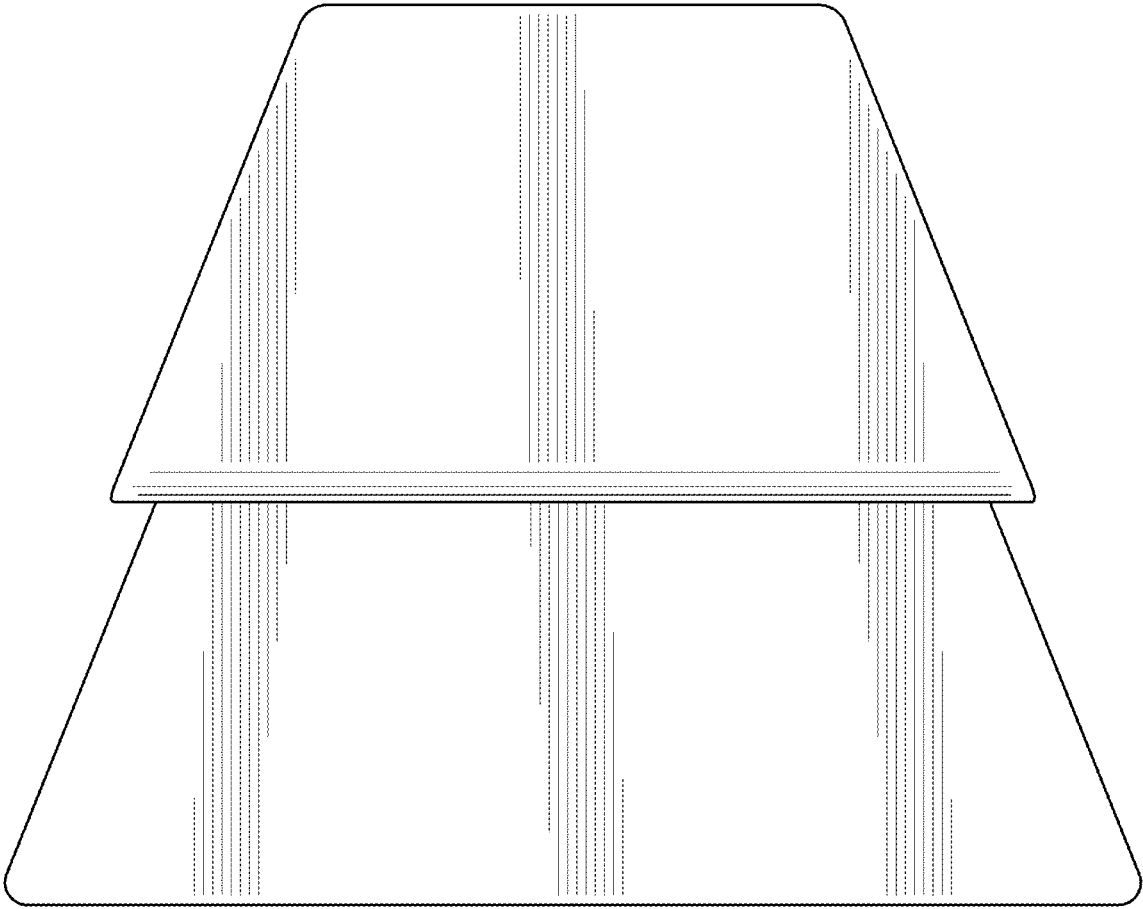


FIG. 1

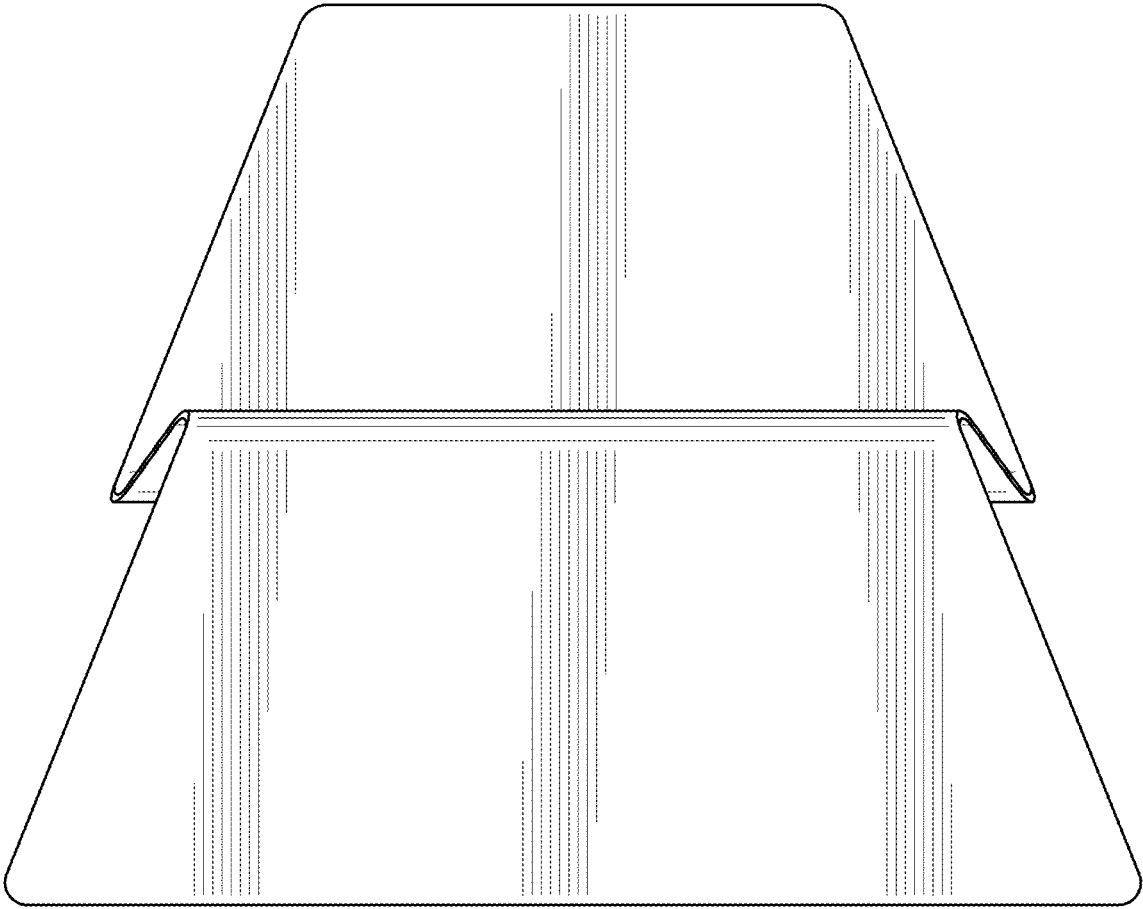


FIG. 2



FIG. 3

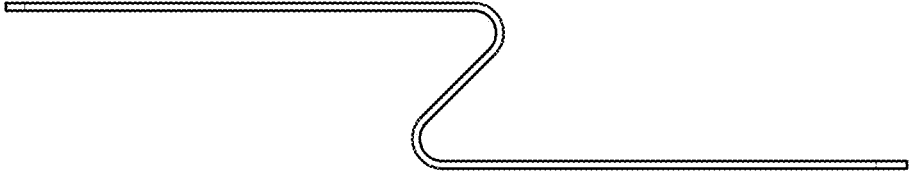


FIG. 4

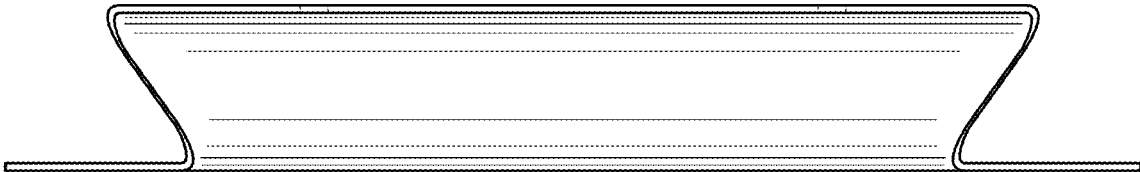


FIG. 5

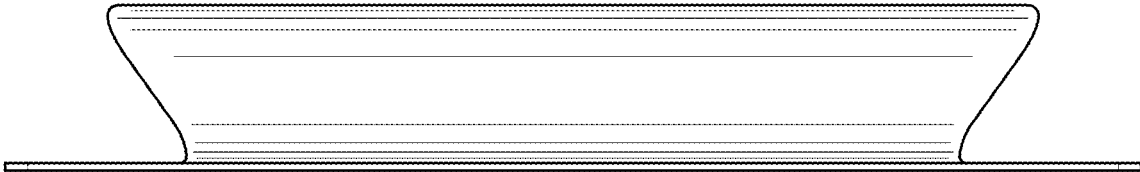


FIG. 6

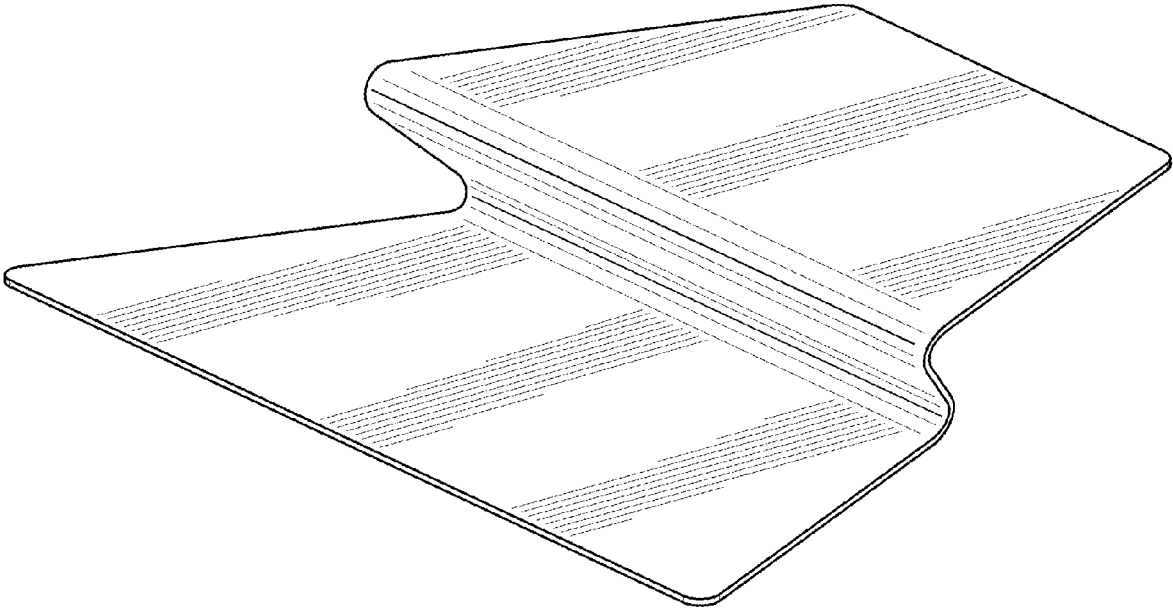


FIG. 7

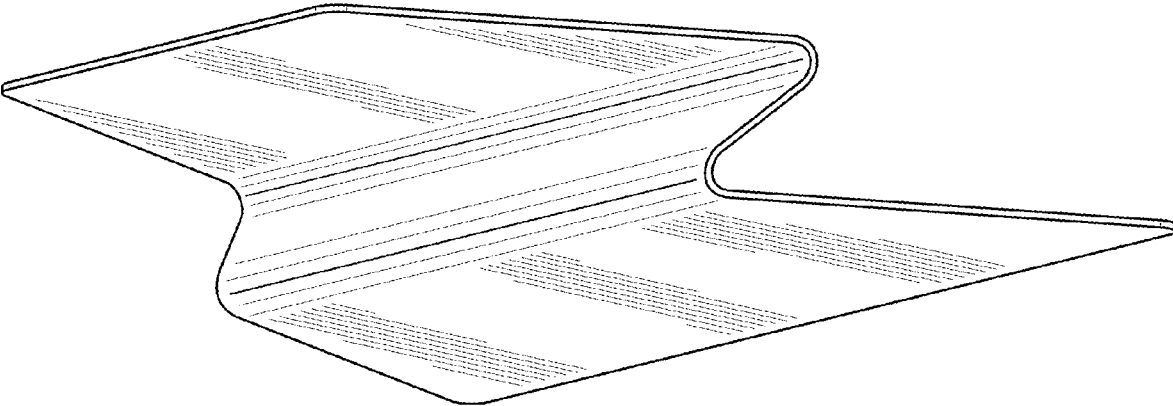


FIG. 8