

(19) World Intellectual Property Organization  
International Bureau



(43) International Publication Date  
22 January 2009 (22.01.2009)

PCT

(10) International Publication Number  
**WO 2009/011690 A3**

(51) International Patent Classification:  
**B60Q 1/00** (2006.01)

(21) International Application Number:  
PCT/US2007/073311

(22) International Filing Date: 12 July 2007 (12.07.2007)

(25) Filing Language: English

(26) Publication Language: English

(71) Applicant (for all designated States except US): **MOBILE OFFICE, INC.** [US/US]; 4500 Airwest Drive, Grand Rapids, Michigan 49512 (US).

(72) Inventors; and

(75) Inventors/Applicants (for US only): **GRENELL, Travis L.** [US/US]; 1517 Porter Rd., Currie, North Carolina 28435 (US). **BART, Kevin J.** [US/US]; 2418 College Ave., S.E., Grand Rapids, Michigan 49507 (US). **LIPPERT, Charles E.** [US/US]; 3219 Lake Dr., S.E., Grand Rapids, Michigan 49506 (US).

(74) Agent: **VAN DYKE, GARDNER, LINN & BURKHART LLP**; 2851 Charlevoix Dr., S.E., Suite 207, P.O. Box 888695, Grand Rapids, Michigan 49588-8695 (US).

(81) Designated States (unless otherwise indicated, for every kind of national protection available): AE, AG, AL, AM, AT, AU, AZ, BA, BB, BG, BH, BR, BW, BY, BZ, CA, CH, CN, CO, CR, CU, CZ, DE, DK, DM, DO, DZ, EC, EE, EG, ES, FI, GB, GD, GE, GH, GM, GT, HN, HR, HU, ID, IL, IN, IS, JP, KE, KG, KM, KN, KP, KR, KZ, LA, LC, LK, LR, LS, LT, LU, LY, MA, MD, ME, MG, MK, MN, MW, MX, MY, MZ, NA, NG, NI, NO, NZ, OM, PG, PH, PL, PT, RO, RS, RU, SC, SD, SE, SG, SK, SL, SM, SV, SY, TJ, TM, TN, TR, TT, TZ, UA, UG, US, UZ, VC, VN, ZA, ZM, ZW.

(84) Designated States (unless otherwise indicated, for every kind of regional protection available): ARIPO (BW, GH, GM, KE, LS, MW, MZ, NA, SD, SL, SZ, TZ, UG, ZM, ZW), Eurasian (AM, AZ, BY, KG, KZ, MD, RU, TJ, TM), European (AT, BE, BG, CH, CY, CZ, DE, DK, EE, ES, FI, FR, GB, GR, HU, IE, IS, IT, LT, LU, LV, MC, MT, NL, PL, PT, RO, SE, SI, SK, TR), OAPI (BF, BJ, CF, CG, CI, CM, GA, GN, GQ, GW, ML, MR, NE, SN, TD, TG).

Published:  
— with international search report

(88) Date of publication of the international search report:  
30 April 2009

(54) Title: PERSONAL COMPUTER CONTROL FOR VEHICLES

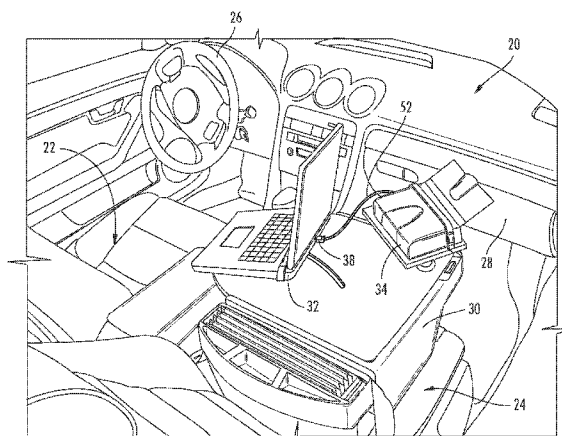


FIG. 1

(57) Abstract: A computer control system includes methods and devices for disabling an electronic device, such as a computer, when a mobility status of the vehicle changes. The mobility status may be measured with reference to the vehicle's transmission, parking brake, odometer, speedometer, throttle, engine rpm, or a geographic locating system such as a GPS system. When the mobility status of the vehicle changes to one in which the vehicle is moving, or is more likely to move, the control system disables the electronic device. The control system thus prevents drivers of automobiles and trucks from simultaneously driving while using the electronic device. The system may include one or more override keys and enabling hubs that allow a person to use the device in locations remote from the automobile. The system may also allow the device to be used when it is inside the vehicle but the vehicle's engine has been turned off. The software used by the system includes multiple security features adapted to prevent people from disabling the software such that they would be able to simultaneously drive and use the electronic device.



WO 2009/011690 A3

**INTERNATIONAL SEARCH REPORT**

International application No.

PCT/US07/73311

**A. CLASSIFICATION OF SUBJECT MATTER**

IPC: B60Q 1/00( 2006.01)

USPC: 340/441

According to International Patent Classification (IPC) or to both national classification and IPC

**B. FIELDS SEARCHED**

Minimum documentation searched (classification system followed by classification symbols)  
U.S. : 340/441

Documentation searched other than minimum documentation to the extent that such documents are included in the fields searched

Electronic data base consulted during the international search (name of data base and, where practicable, search terms used)

**C. DOCUMENTS CONSIDERED TO BE RELEVANT**

Category *	Citation of document, with indication, where appropriate, of the relevant passages	Relevant to claim No.
X	US 6,690,940 B1 (BROWN et al.) 10 February 2004	1-4, 6-9, 30, 32-40
---		-----
Y		5, 10-29, 31, 41-47
Y	US 2003/0139205 A1 (BELCHER et al.) 24 July 2003	5, 21
Y	US 5,857,024 (NISHINO et al.) 05 Janaury 1999	10-14, 41
Y	US 6,108,785 (POISNER) 22 August 2000	11-14, 22, 41
Y	US 5,944,825 (BELLEMORE et al.) 31 August 1999	13
Y	US 2005/0288860 A1 (PAIR et al.) 29 December 2005	15, 16, 31, 42

Further documents are listed in the continuation of Box C.  See patent family annex.

* Special categories of cited documents:		
"A"	document defining the general state of the art which is not considered to be of particular relevance	"T" later document published after the international filing date or priority date and not in conflict with the application but cited to understand the principle or theory underlying the invention
"E"	earlier application or patent published on or after the international filing date	"X" document of particular relevance; the claimed invention cannot be considered novel or cannot be considered to involve an inventive step when the document is taken alone
"L"	document which may throw doubts on priority claim(s) or which is cited to establish the publication date of another citation or other special reason (as specified)	"Y" document of particular relevance; the claimed invention cannot be considered to involve an inventive step when the document is combined with one or more other such documents, such combination being obvious to a person skilled in the art
"O"	document referring to an oral disclosure, use, exhibition or other means	
"P"	document published prior to the international filing date but later than the priority date claimed	"&" document member of the same patent family

Date of the actual completion of the international search

28 June 2008 (28.06.2008)

Date of mailing of the international search report

03 SEP 2008

Name and mailing address of the ISA/US

Mail Stop PCT, Attn: ISA/US  
Commissioner of Patents  
P.O. Box 1450  
Alexandria, Virginia 22313-1450

Facsimile No. (571) 273-3201

Authorized officer

Jeffrey A Hofsass

Telephone No. 571-272-1000

## INTERNATIONAL SEARCH REPORT

## C. (Continuation) DOCUMENTS CONSIDERED TO BE RELEVANT

Category *	Citation of document, with indication, where appropriate, of the relevant passages	Relevant to claim No.
Y	US 5,377,269 (HEPTIG et al.) 27 December 1994	15-20, 31, 42, 43
Y	US 7,181,229 B2 (SINGH et al.) 20 February 2007	23,44
Y	US 6,978,303 B1 (MCCREESH et al.) 20 December 2005	24, 26-29
Y	US 5,402,492 (GOODMAN et al.) 28 March 1995	24, 45, 46
Y	US 2006/0168212 A1 (PARSONS et al.) 27 July 2006	27-29, 46
Y	US 5,287,408 (SAMSON) 15 February 1994	29
Y	US 6,487,426 B1 (HABER) 26 November 2002	31