



US00D340122S

United States Patent [19]

[11] Patent Number: **Des. 340,122**

Wakabayashi

[45] Date of Patent: **** Oct. 12, 1993**

[54] BUCKLE

[75] Inventor: **Masao Wakabayashi**, Toyama, Japan

[73] Assignee: **Yoshida Kogyo K.K.**, Tokyo, Japan

[**] Term: **14 Years**

[21] Appl. No.: **829,155**

[22] Filed: **Jan. 31, 1992**

[30] Foreign Application Priority Data

Jul. 31, 1991 [JP] Japan 3-22994

[52] U.S. Cl. **D11/218; D11/220**

[58] Field of Search **D11/200, 215-218, D11/231, 87, 212, 232; 24/574, 633, 573, 631, 641, 616, 196, 170, 163 R, 305, 197, 260, 163, 68 F, 74; 297/467**

[56] References Cited

U.S. PATENT DOCUMENTS

D. 275,716 10/1984 Kanzaka D11/218
D. 300,614 4/1989 Geldwerth D11/216
4,262,718 4/1981 Stark 24/197

Primary Examiner—A. Hugo Word

Assistant Examiner—R. Seifert

Attorney, Agent, or Firm—Hill, Steadman & Simpson

[57] CLAIM

The ornamental design for a buckle, as shown and described.

DESCRIPTION

FIG. 1 is a front elevational view of a buckle showing my new design;
FIG. 2 is a rear elevational view;
FIG. 3 is a top plan view;
FIG. 4 is a bottom plan view;
FIG. 5 is a left side elevational view;
FIG. 6 is a cross-sectional view taken along the lines 6—6 of FIG. 1;
FIG. 7 is a front elevational view of the male member of the buckle;
FIG. 8 is a rear elevational view of FIG. 7;
FIG. 9 is a top plan view of FIG. 7;
FIG. 10 is a rear elevational view of FIG. 7;
FIG. 11 is a left side elevational view of FIG. 7;
FIG. 12 is a cross-sectional view taken along the lines 12—12 of FIG. 7;
FIG. 13 is a front elevational view of the female member of the buckle;
FIG. 14 is a rear elevational view of FIG. 13;
FIG. 15 is a top plan view of FIG. 13;
FIG. 16 is a bottom plan view of FIG. 13;
FIG. 17 is a left side elevational view of FIG. 13;
FIG. 18 is a cross-sectional view taken along the lines 18—18 of FIG. 13;
FIG. 19 is a perspective view of the buckle in FIG. 1 shown in a coupled position; and,
FIG. 20 is a perspective view of the buckle in FIG. 1 shown in an uncoupled position.

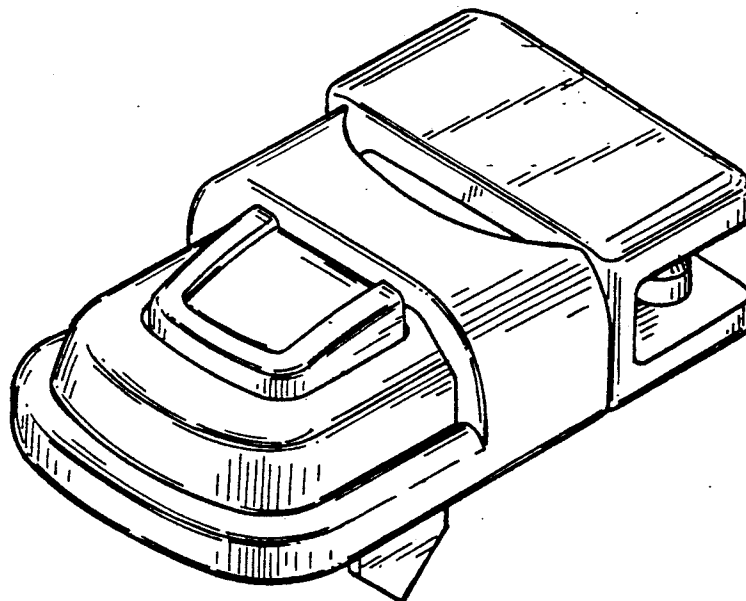
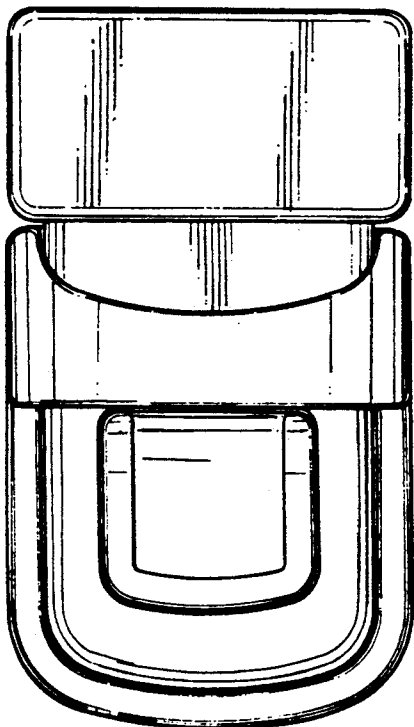


FIG. 1

6-7



6-j

FIG. 2

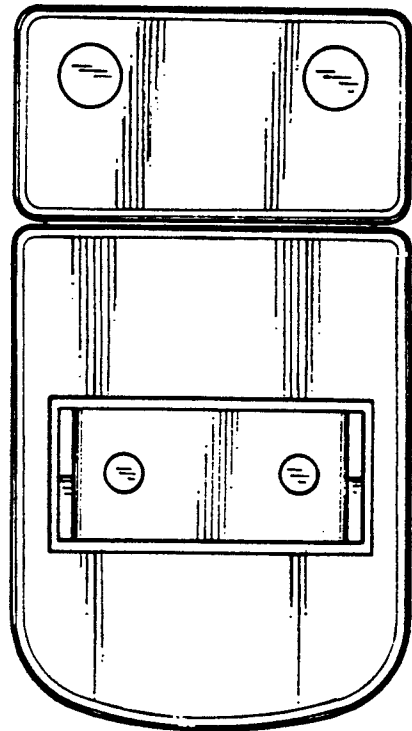


FIG. 3

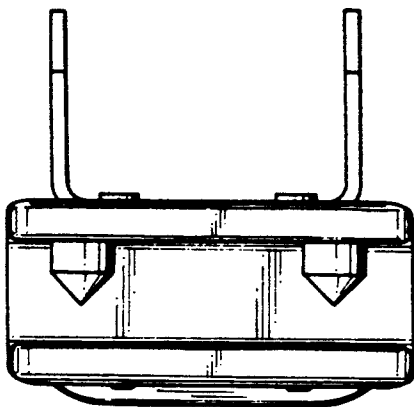


FIG. 4

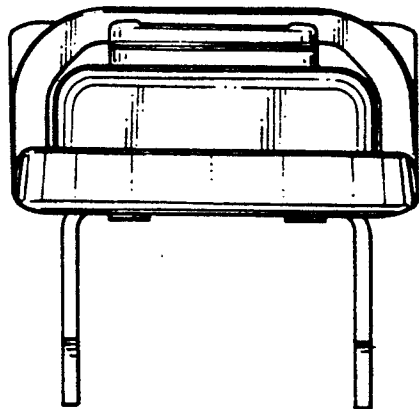


FIG. 5

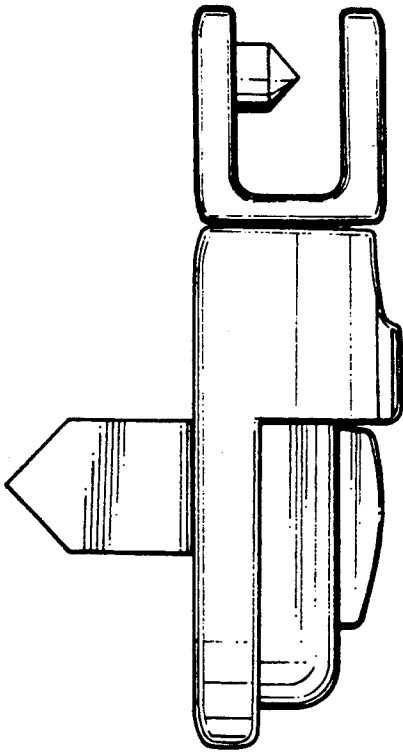


FIG. 6

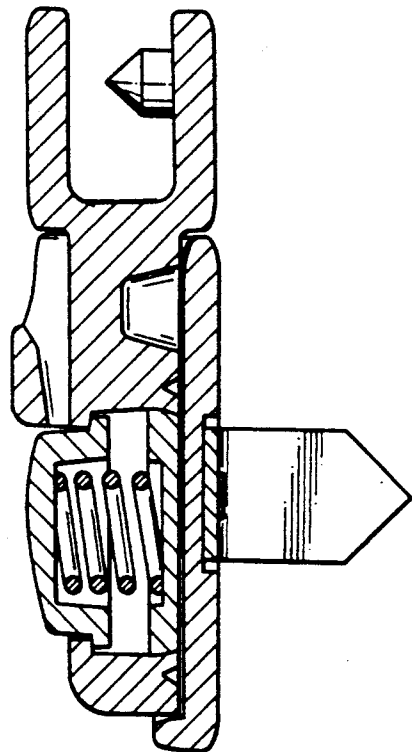


FIG. 7

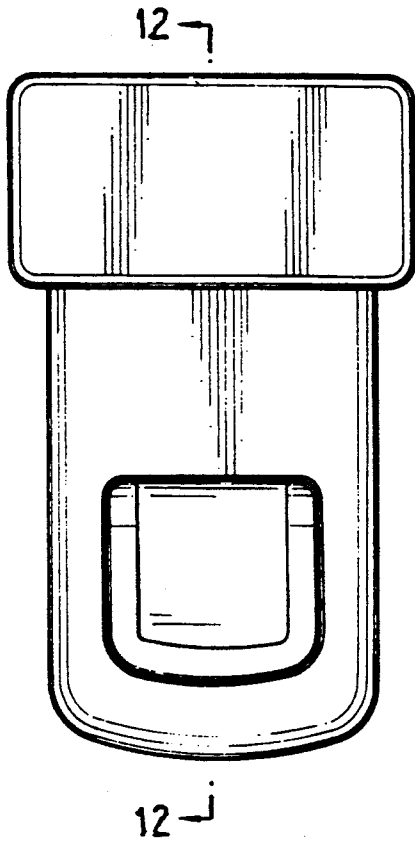


FIG. 8

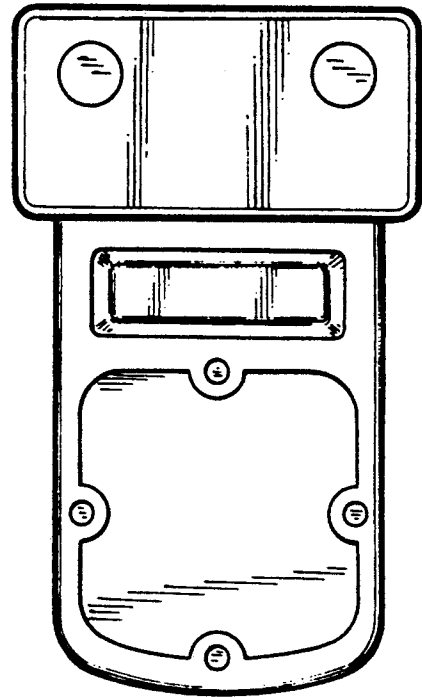


FIG. 9

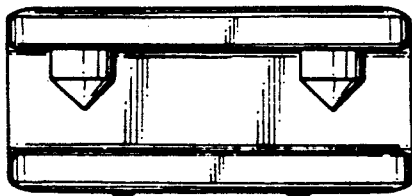


FIG. 10

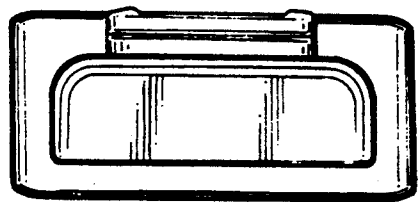


FIG. 11

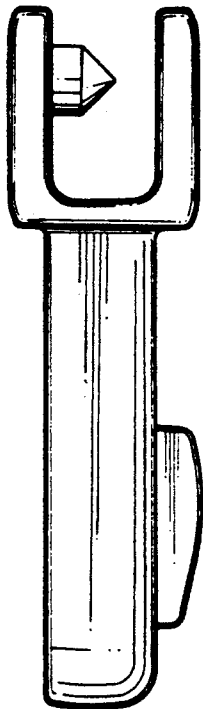


FIG. 12

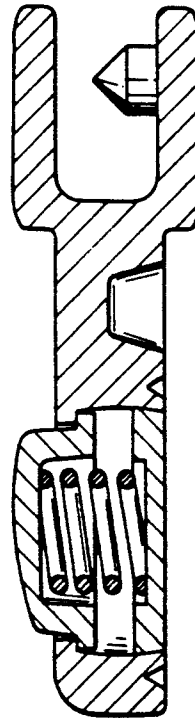


FIG. 13

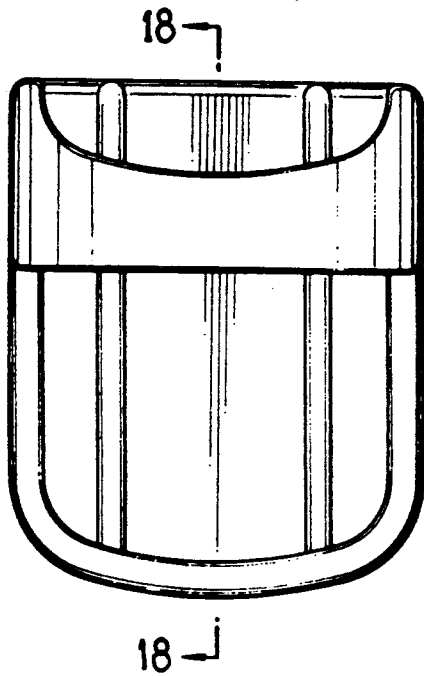


FIG. 14

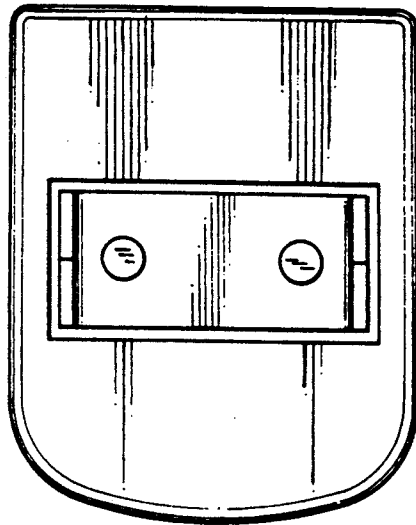


FIG. 15

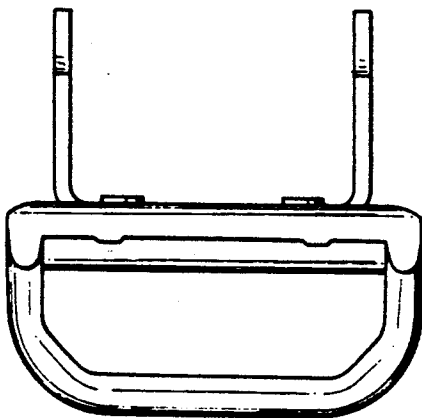


FIG. 16

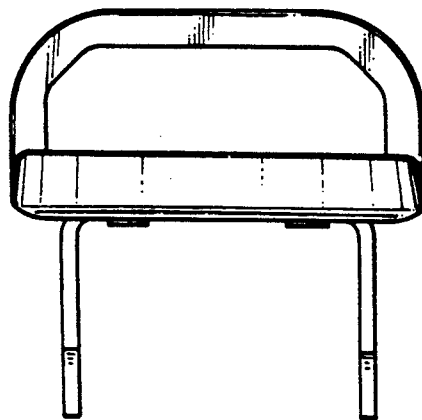


FIG. 17

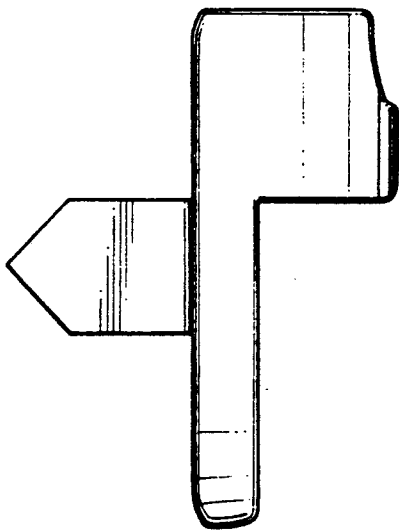


FIG. 18

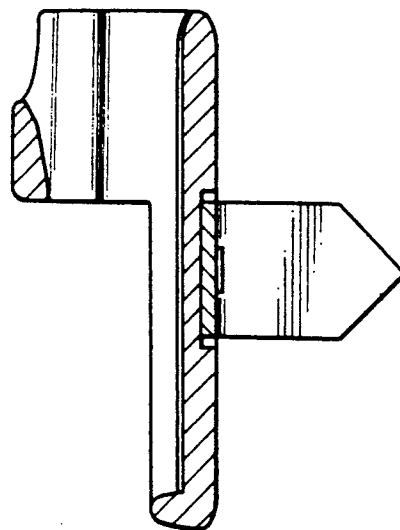


FIG. 19

