



US00D365262S

United States Patent [19]

[11] Patent Number: Des. 365,262

Beaulieu et al.

[45] Date of Patent: **Dec. 19, 1995

[54] CHAINSAW HOUSING

[75] Inventors: **Kevin F. Beaulieu; Paul A. Warfel,**
both of Shreveport, La.

[73] Assignee: **WCI Outdoor Products, Inc.,**
Cleveland, Ohio

[**] Term: **14 Years**

[21] Appl. No.: **29,935**

[22] Filed: **Oct. 19, 1994**

[52] U.S. Cl. **D8/65**

[58] Field of Search D8/61, 65, 69;
D15/1; 30/381, 383; 83/788, 814

[56] **References Cited**

U.S. PATENT DOCUMENTS

D. 203,923	2/1966	Whitehead, Sr. et al.	D8/65
D. 348,192	6/1994	Griffin	D8/65
D. 350,680	9/1994	Berfield et al.	D8/65
4,630,372	12/1986	Nagashima	30/381

Primary Examiner—Alan P. Douglas
Assistant Examiner—Robert M. Spear
Attorney, Agent, or Firm—Pearne, Gordon, McCoy & Granger

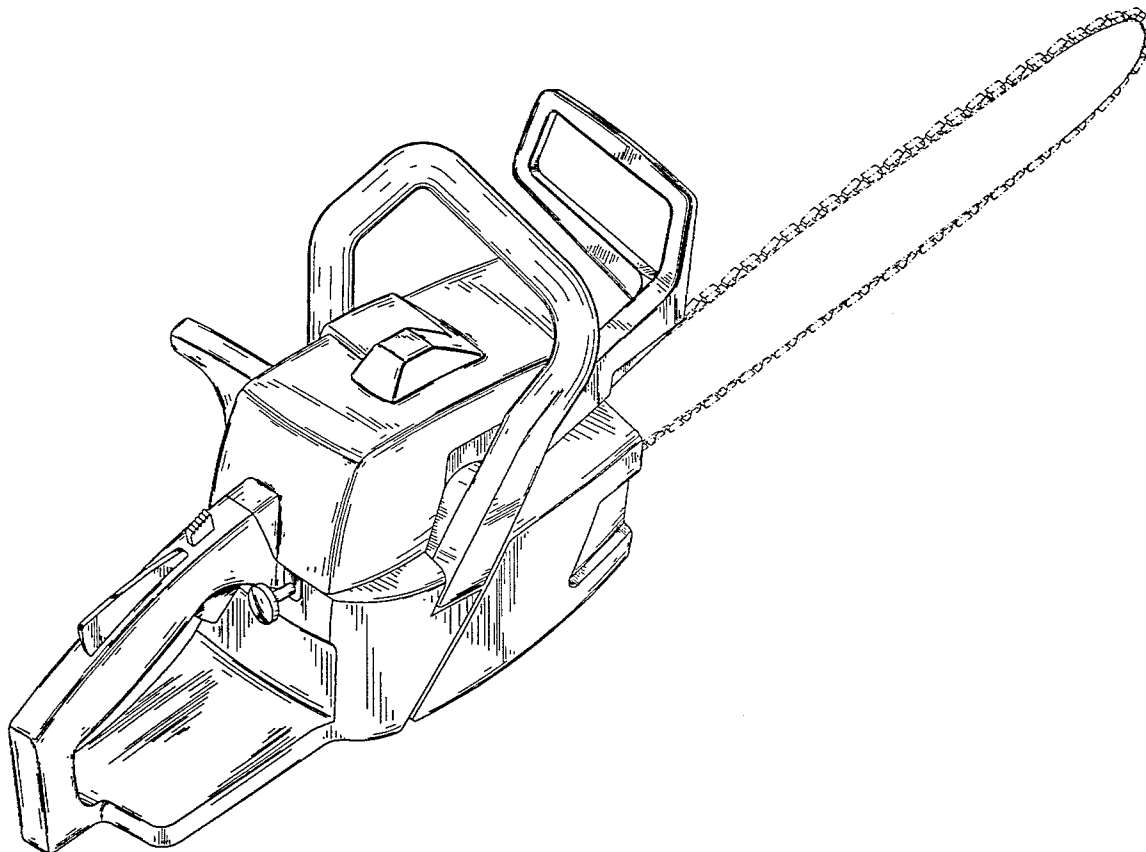
[57] **CLAIM**

The ornamental design for a chainsaw housing, as shown and described.

DESCRIPTION

FIG. 1 is a front perspective view of a chainsaw housing, showing our new design;
FIG. 2 is a right side elevational view thereof;
FIG. 3 is a left side elevational view thereof;
FIG. 4 is a top plan view thereof;
FIG. 5 is a bottom plan view thereof;
FIG. 6 is a front elevational view thereof; and,
FIG. 7 is a back elevational view thereof.
The broken line showing of a chain saw blade is for illustrative purposes only and forms no part of the claimed design.

1 Claim, 6 Drawing Sheets



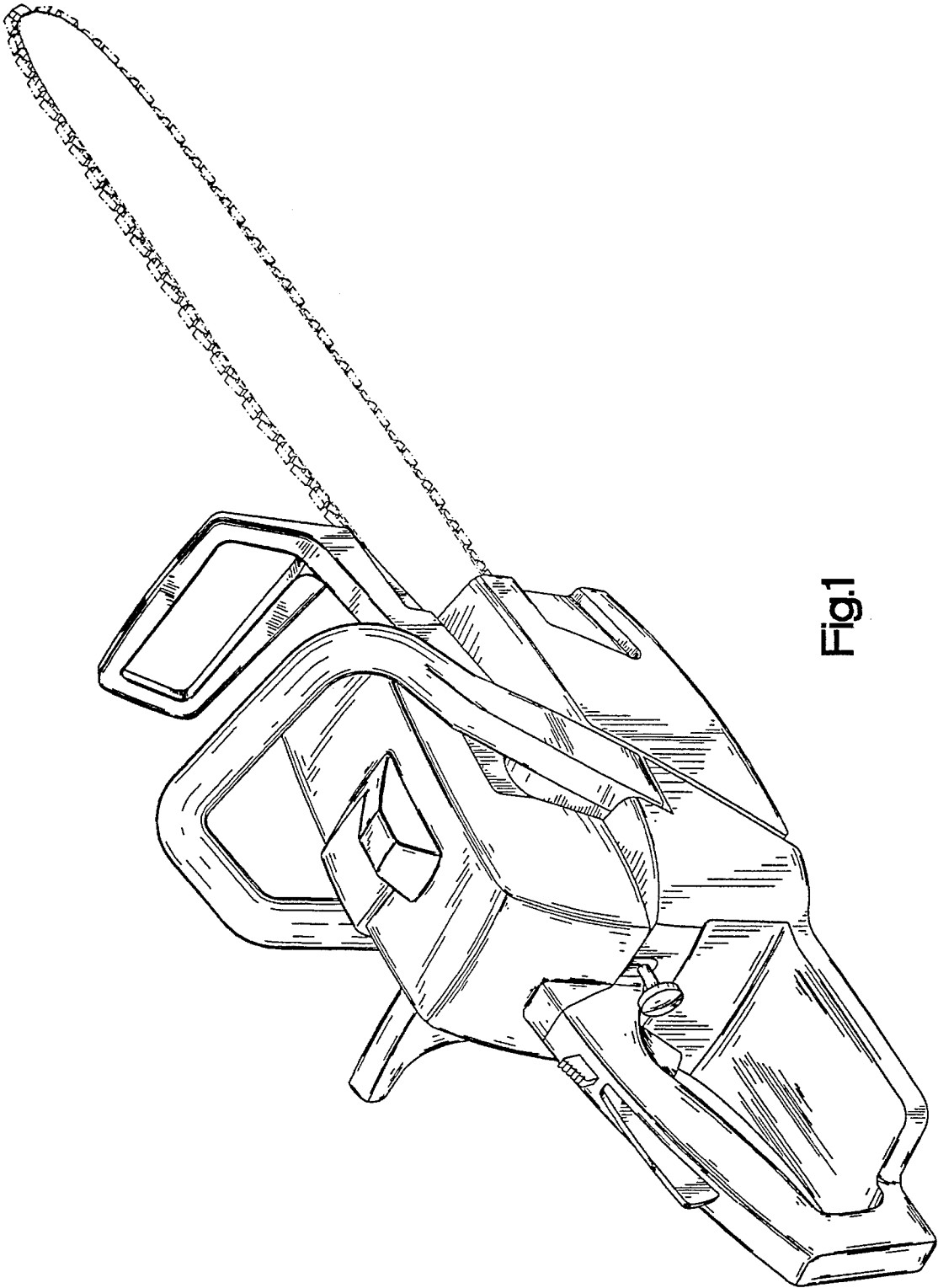


Fig.1

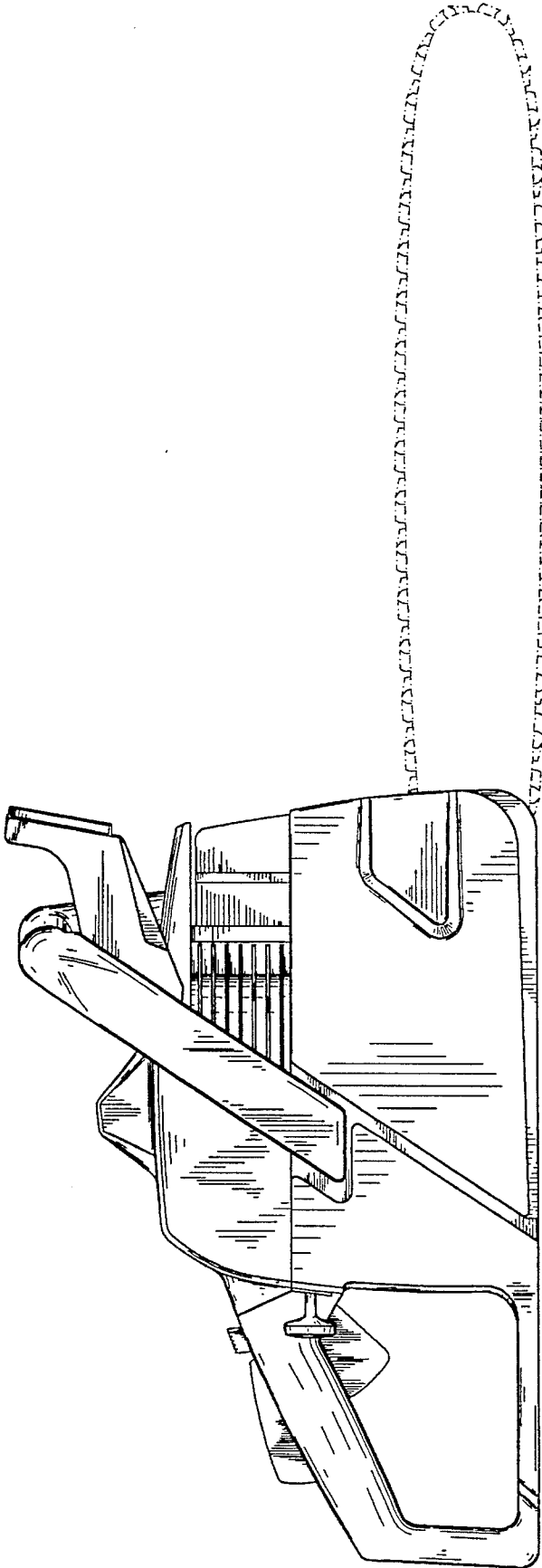


Fig.2

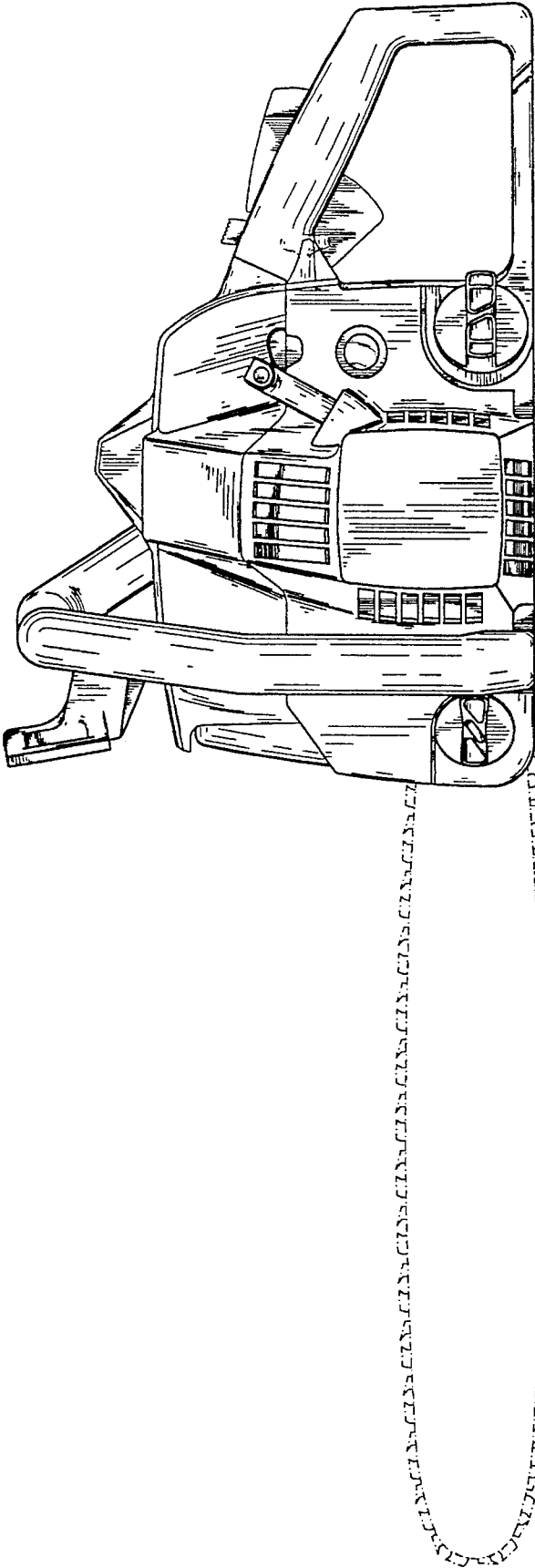


Fig.3

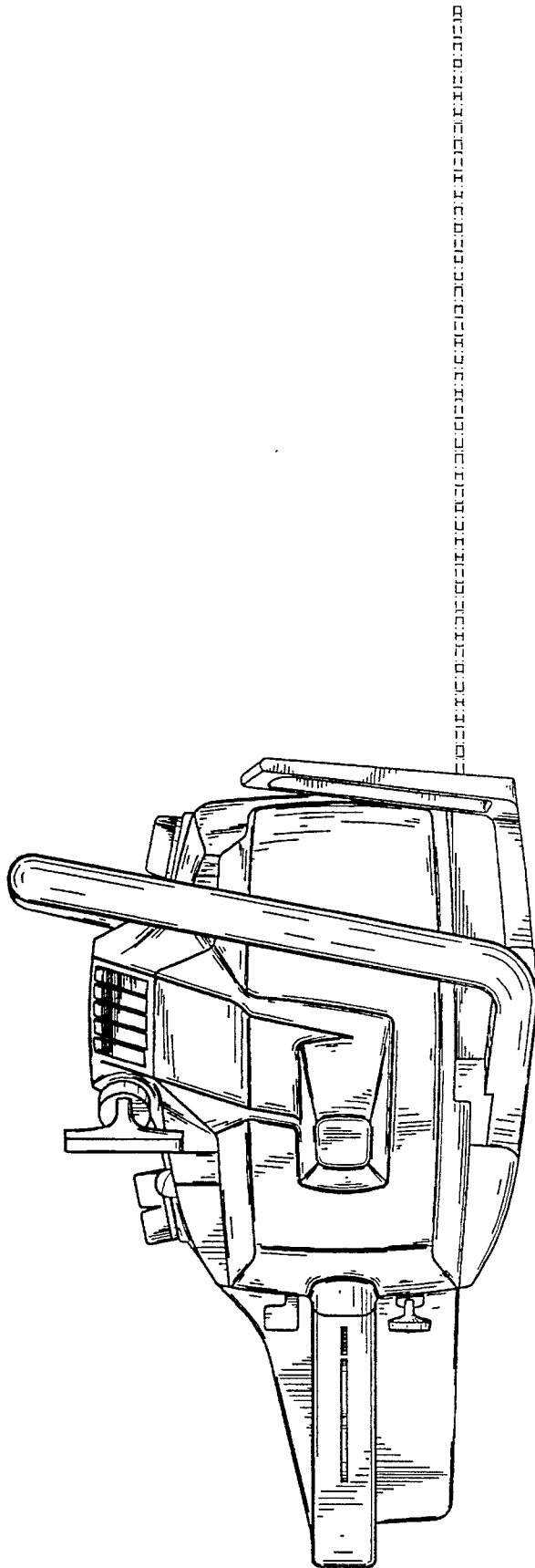


Fig.4

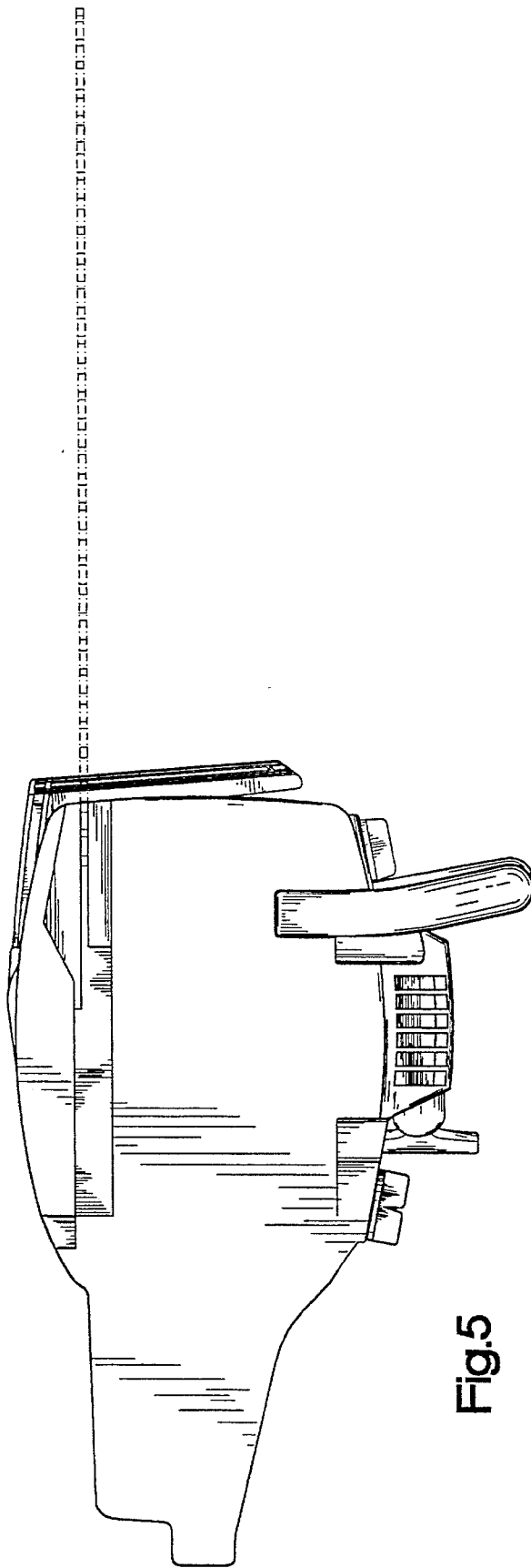


Fig.5

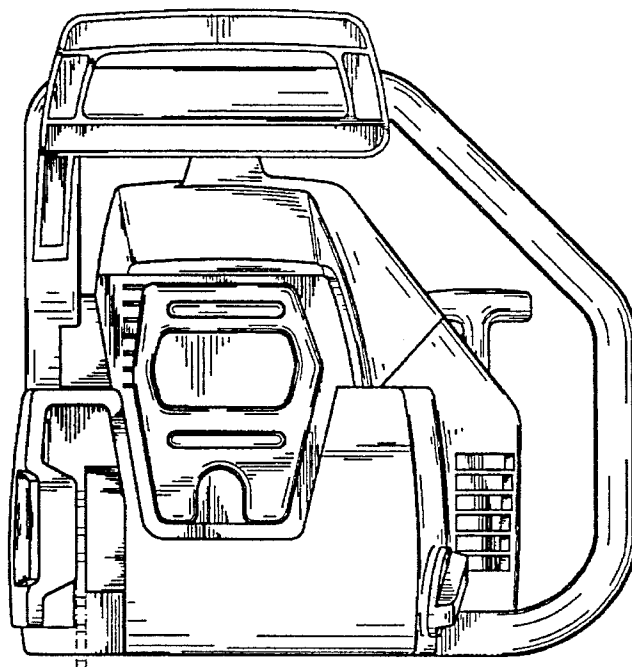


Fig.6

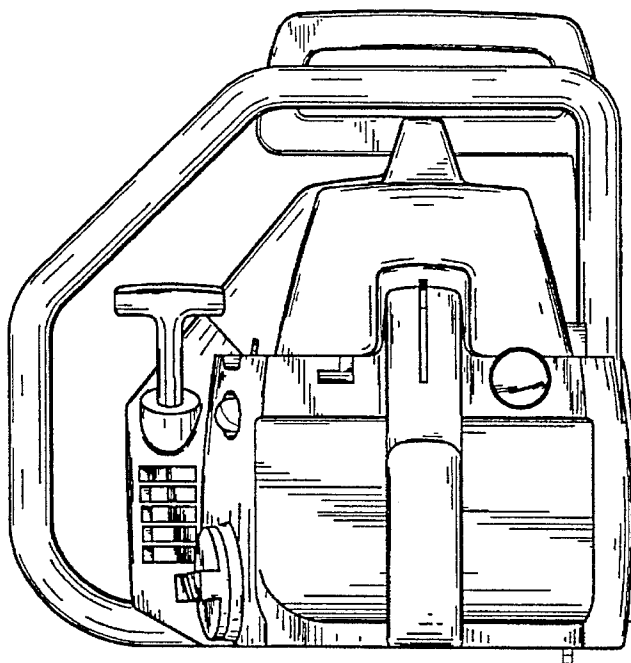


Fig.7