



US00D850207S

(12) **United States Design Patent**
Peng

(10) **Patent No.:** **US D850,207 S**
(45) **Date of Patent:** **** *Jun. 4, 2019**

(54) **WATER BOTTLE**

(71) Applicant: **Pandian Peng**, Shenzhen (CN)

(72) Inventor: **Pandian Peng**, Shenzhen (CN)

(*) Notice: This patent is subject to a terminal disclaimer.

(**) Term: **14 Years**

(21) Appl. No.: **29/524,450**

(22) Filed: **Apr. 20, 2015**

(51) **LOC (11) Cl.** **07-01**

(52) **U.S. Cl.**

USPC **D7/510**; D7/511; D7/529; D7/532

(58) **Field of Classification Search**

USPC D7/509, 510, 511, 523, 529, 532, 533,
D7/535, 536, 300, 300.1, 300.2, 608, 629,
D7/318, 392.1, 396.2, 387, 304, 305, 306,
D7/307, 308, 309, 310, 311, 312, 313,
D7/314, 315, 534, 396.1; D9/503, 504,
D9/531, 530, 566, 544, 549, 550, 553,
D9/554, 516; 99/305, 307; 222/146.6;
215/228, 229; 220/592.2, 592.16, 592.17
CPC B65D 47/066; A47J 43/27; A47G 19/2266;
A45F 3/16

See application file for complete search history.

(56) **References Cited**

U.S. PATENT DOCUMENTS

D480,305 S * 10/2003 Nusbaum D9/435
D528,921 S * 9/2006 Leoncavallo D7/511

D538,597 S * 3/2007 Kim D7/510
D575,583 S * 8/2008 Morgan D7/509
D620,316 S * 7/2010 McKinney D7/509
D677,121 S * 3/2013 Meyers D7/510
D725,967 S * 4/2015 Peng D7/511
D726,476 S * 4/2015 Ercanbrack D7/300.1
D749,956 S * 2/2016 Bernstein D7/510
D758,133 S * 6/2016 Peng D7/510
D766,090 S * 9/2016 Boroski D7/509
D767,337 S * 9/2016 Boroski D7/510
2013/0140316 A1 * 6/2013 Flowers A47G 19/2272
220/592.17

* cited by examiner

Primary Examiner — Marianne Pandozzi

Assistant Examiner — Jae Liang

(57) **CLAIM**

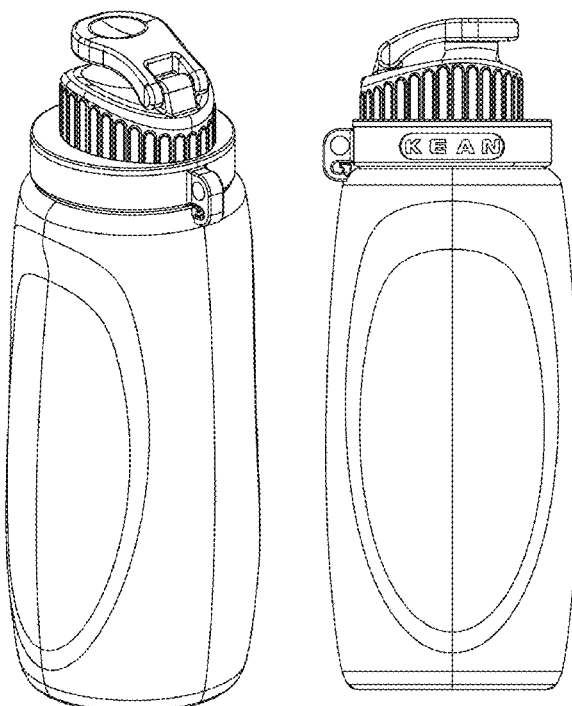
The ornamental design for a water bottle, as shown and described.

DESCRIPTION

FIG. 1 is a perspective view of the water bottle showing my new design;
FIG. 2 is a front view thereof;
FIG. 3 is a rear view thereof;
FIG. 4 is a left side view thereof;
FIG. 5 is a right side view thereof;
FIG. 6 is an enlarged top view thereof; and,
FIG. 7 is an enlarged bottom view thereof.

The broken lines in the drawing depict portions of the water bottle that form no part of the claimed design. The trademark KEAN shown on the water bottle forms part of the claimed design.

1 Claim, 7 Drawing Sheets



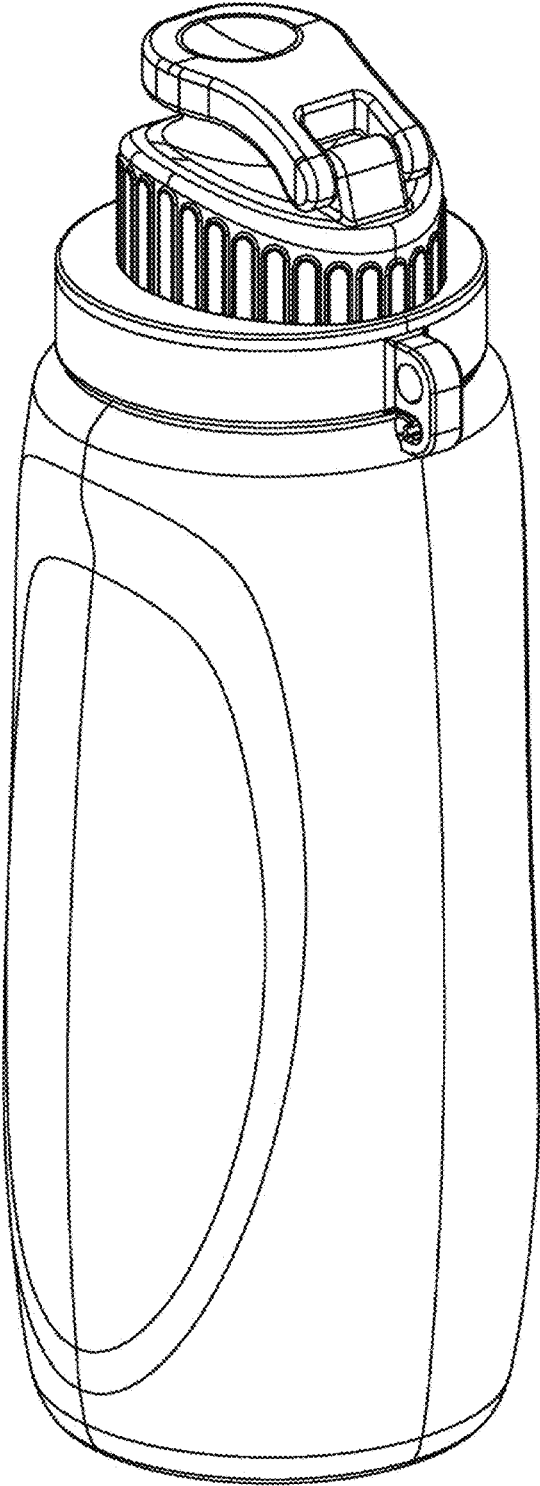


FIG. 1

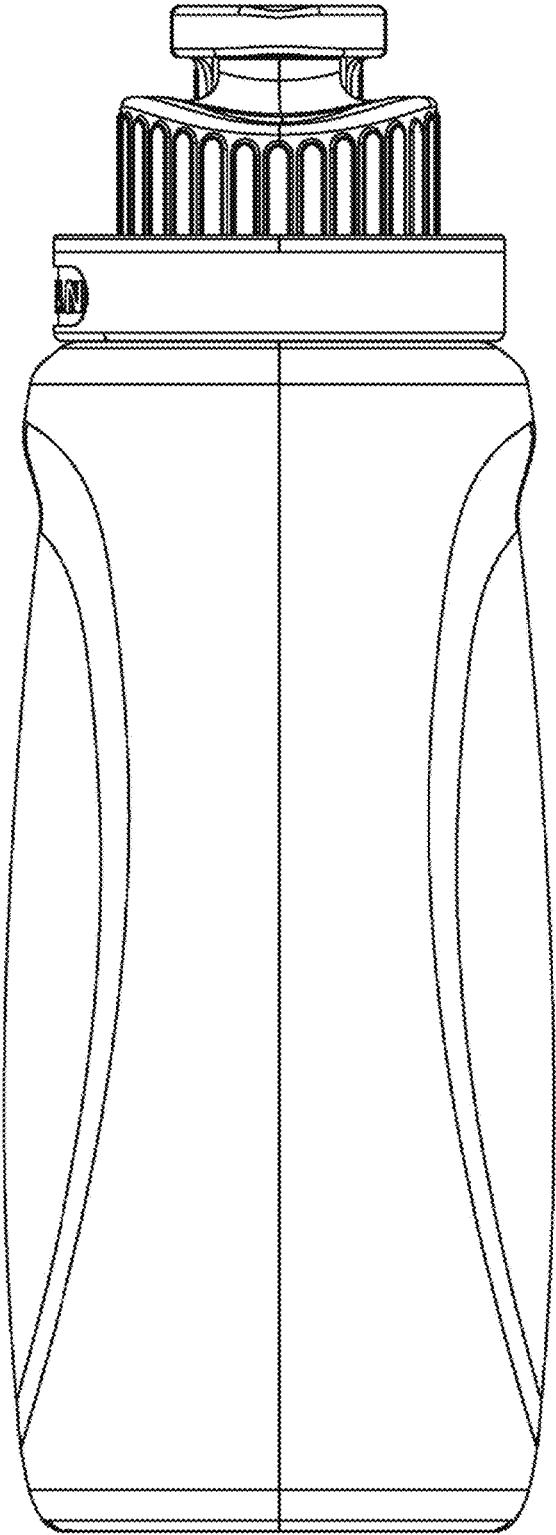


FIG. 2

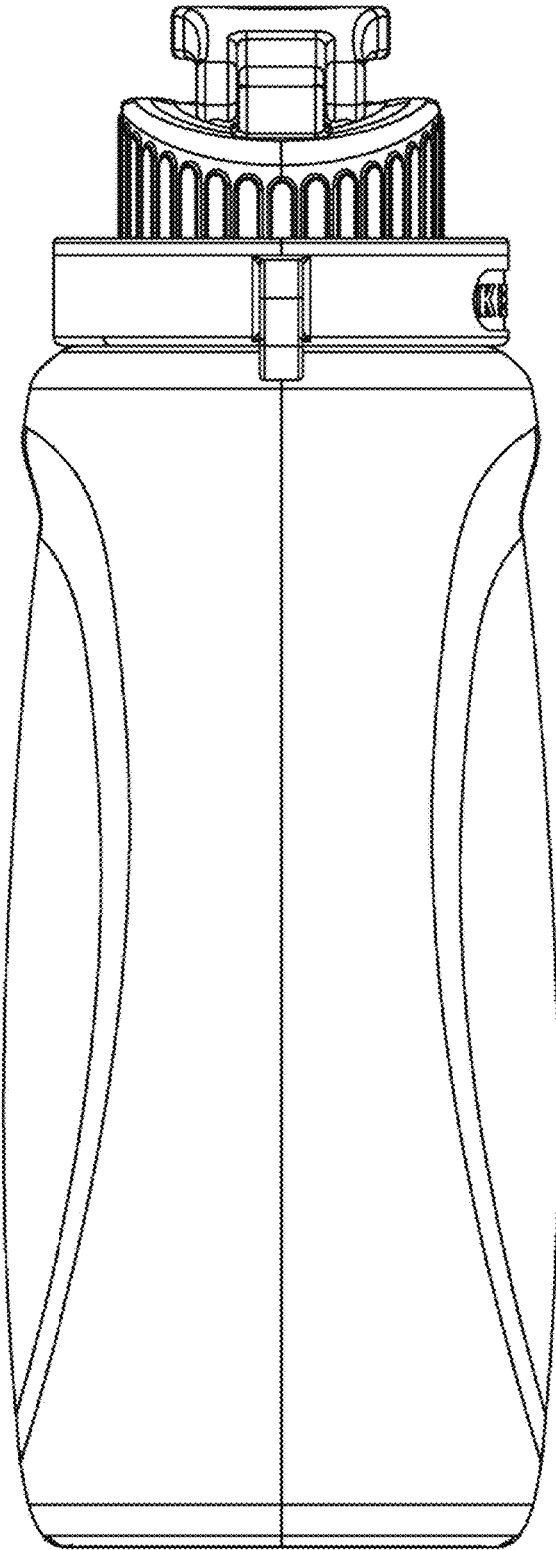


FIG. 3

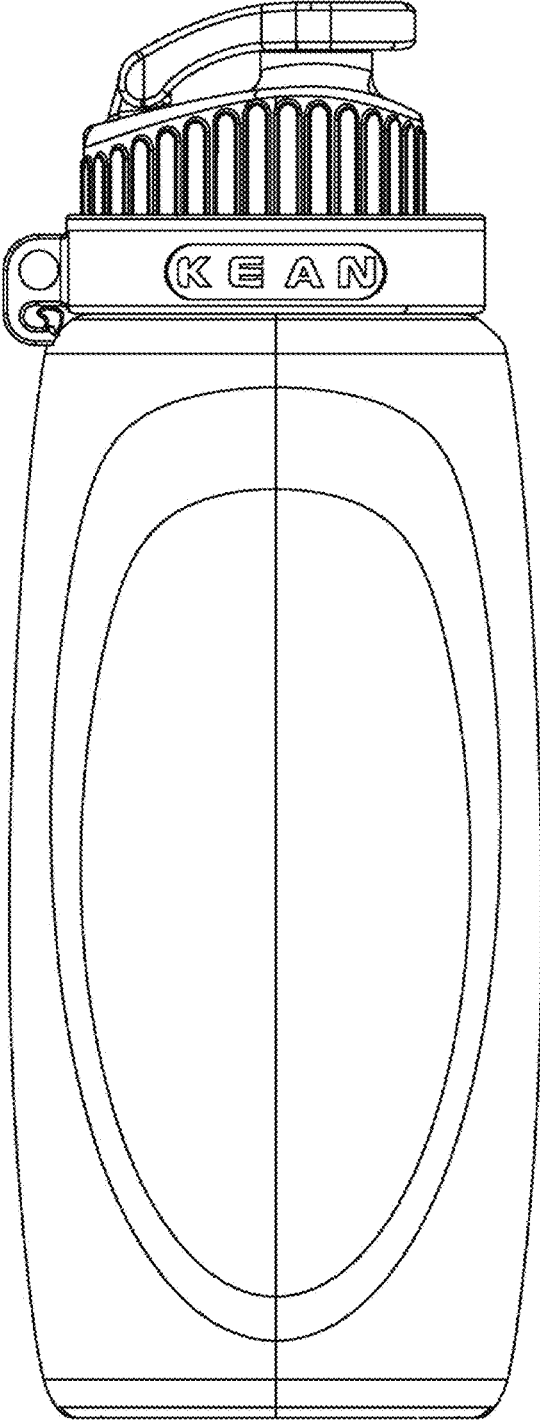


FIG. 4

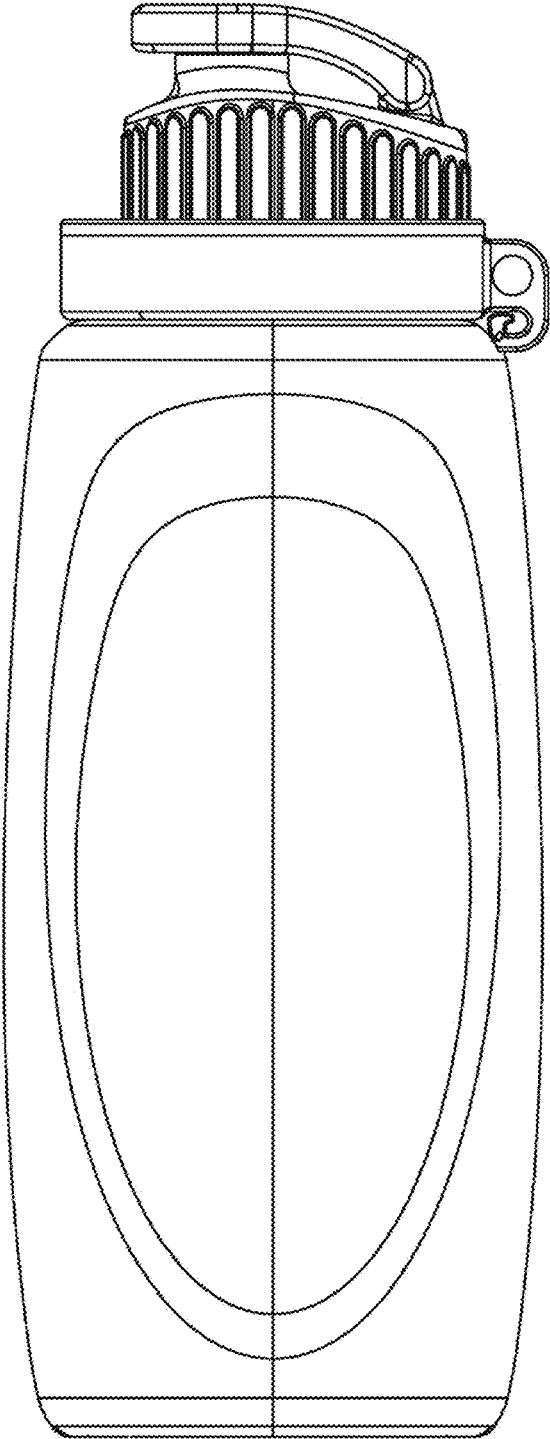


FIG. 5

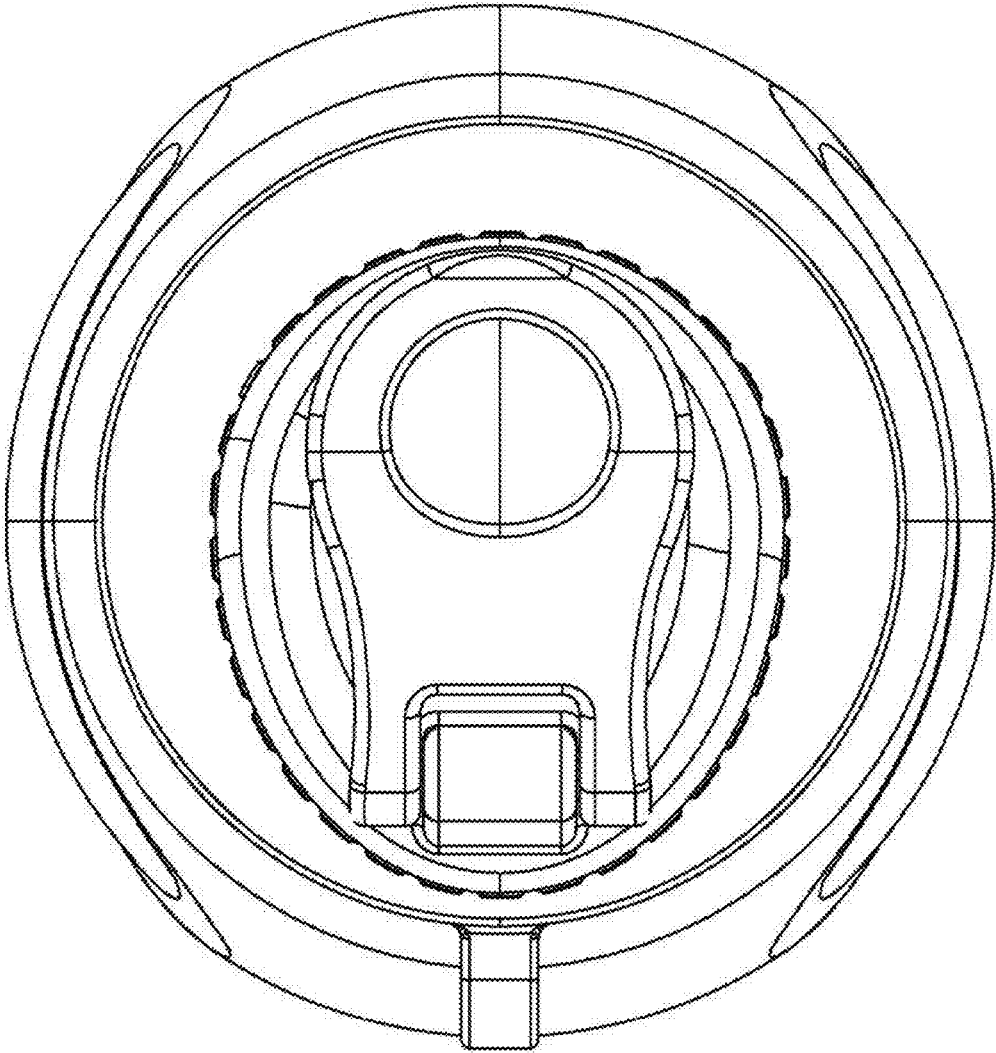


FIG. 6

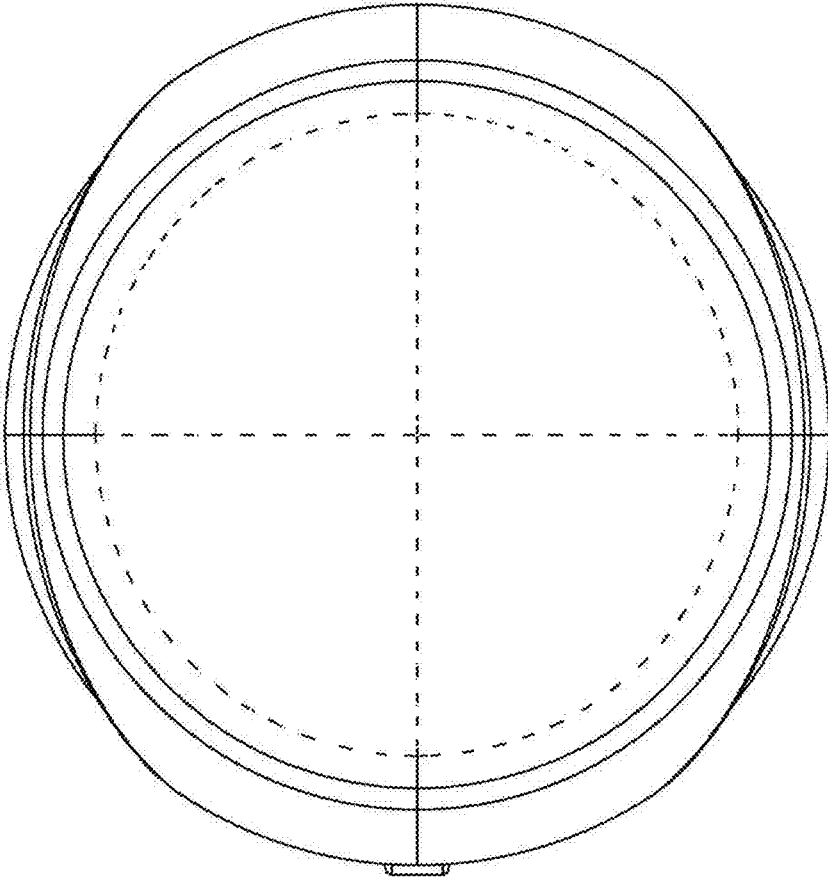


FIG. 7