

(19) World Intellectual Property Organization  
International Bureau



(43) International Publication Date  
7 September 2001 (07.09.2001)

PCT

(10) International Publication Number  
WO 01/65707 A3

(51) International Patent Classification<sup>7</sup>: H04B 1/30, 1/40

(21) International Application Number: PCT/US01/06402

(22) International Filing Date: 28 February 2001 (28.02.2001)

(25) Filing Language: English

(26) Publication Language: English

(30) Priority Data:  
60/185,584 28 February 2000 (28.02.2000) US

(71) Applicant (for all designated States except US): THOMSON LICENSING S.A. [FR/FR]; 6, Quai Alphonse Le Gallo, F-92648 Boulogne Cedex (FR).

(72) Inventor; and

(75) Inventor/Applicant (for US only): MOHAN, Chandra [IN/US]; 12970 Fleetwood Drive North, Carmel, IN 46032 (US).

(74) Agents: TRIPOLI, Joseph, S. et al.; Thomson multimedia Licensing Inc., P.O. Box 5312, Princeton, NJ 08540 (US).

(81) Designated States (national): AE, AG, AL, AM, AT, AU, AZ, BA, BB, BG, BR, BY, BZ, CA, CH, CN, CO, CR, CU, CZ, DE, DK, DM, DZ, EE, ES, FI, GB, GD, GE, GH, GM, HR, HU, ID, IL, IN, IS, JP, KE, KG, KP, KR, KZ, LC, LK, LR, LS, LT, LU, LV, MA, MD, MG, MK, MN, MW, MX, NO, NZ, PL, PT, RO, RU, SD, SE, SG, SI, SK, SL, TJ, TM, TR, TT, TZ, UA, UG, US, UZ, VN, YU, ZA, ZW.

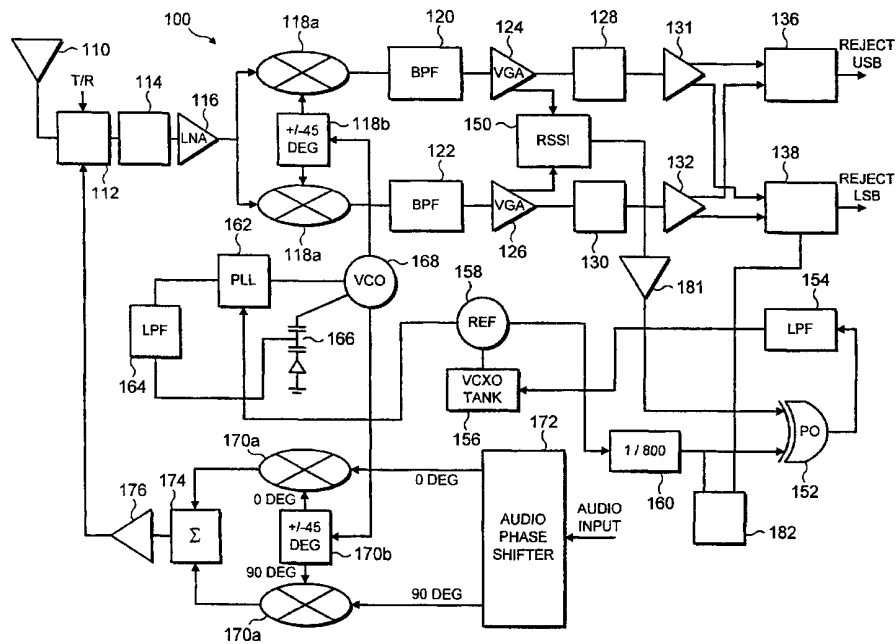
(84) Designated States (regional): ARIPO patent (GH, GM, KE, LS, MW, MZ, SD, SL, SZ, TZ, UG, ZW), Eurasian patent (AM, AZ, BY, KG, KZ, MD, RU, TJ, TM), European patent (AT, BE, CH, CY, DE, DK, ES, FI, FR, GB, GR, IE, IT, LU, MC, NL, PT, SE, TR), OAPI patent (BF, BJ, CF, CG, CI, CM, GA, GN, GW, ML, MR, NE, SN, TD, TG).

Published:  
— with international search report

(88) Date of publication of the international search report:  
18 April 2002

For two-letter codes and other abbreviations, refer to the "Guidance Notes on Codes and Abbreviations" appearing at the beginning of each regular issue of the PCT Gazette.

(54) Title: A NOVEL LOW COST/LOW POWER ANALOG TRANSCEIVER ARCHITECTURE



(57) Abstract: A time division duplex (TDD) single sideband (SSB) transceiver includes a transmitter adapted to input an analog audio signal, sample the analog audio signal, and to output an SSB frequency shift keyed (FSK) signal corresponding to the analog audio signal, the SSB FSK signal including analog information. A receiver is adapted to switch between receiving one of an upper sideband and a lower sideband of an external SSB signal.

WO 01/65707 A3

**INTERNATIONAL SEARCH REPORT**

International Application No

PCT/US 01/06402

**A. CLASSIFICATION OF SUBJECT MATTER**  
 IPC 7 H04B1/30 H04B1/40

According to International Patent Classification (IPC) or to both national classification and IPC

**B. FIELDS SEARCHED**

Minimum documentation searched (classification system followed by classification symbols)  
 IPC 7 H04B

Documentation searched other than minimum documentation to the extent that such documents are included in the fields searched

Electronic data base consulted during the international search (name of data base and, where practical, search terms used)

EPO-Internal, WPI Data, PAJ, INSPEC

**C. DOCUMENTS CONSIDERED TO BE RELEVANT**

Category °	Citation of document, with indication, where appropriate, of the relevant passages	Relevant to claim No.
A	US 5 241 566 A (JACKSON CHARLES R) 31 August 1993 (1993-08-31) abstract claims 1-3; figures 1-3 -----	1-10
A	EP 0 963 053 A (LUCENT TECHNOLOGIES INC) 8 December 1999 (1999-12-08) abstract claims 1-9; figure 2 -----	1-10

Further documents are listed in the continuation of box C.

Patent family members are listed in annex.

° Special categories of cited documents :

- \*A\* document defining the general state of the art which is not considered to be of particular relevance
- \*E\* earlier document but published on or after the international filing date
- \*L\* document which may throw doubts on priority claim(s) or which is cited to establish the publication date of another citation or other special reason (as specified)
- \*O\* document referring to an oral disclosure, use, exhibition or other means
- \*P\* document published prior to the international filing date but later than the priority date claimed

- \*T\* later document published after the international filing date or priority date and not in conflict with the application but cited to understand the principle or theory underlying the invention
- \*X\* document of particular relevance; the claimed invention cannot be considered novel or cannot be considered to involve an inventive step when the document is taken alone
- \*Y\* document of particular relevance; the claimed invention cannot be considered to involve an inventive step when the document is combined with one or more other such documents, such combination being obvious to a person skilled in the art.
- \*&\* document member of the same patent family

Date of the actual completion of the international search

22 January 2002

Date of mailing of the international search report

31/01/2002

Name and mailing address of the ISA

European Patent Office, P.B. 5818 Patentlaan 2  
 NL - 2280 HV Rijswijk  
 Tel. (+31-70) 340-2040, Tx. 31 651 epo nl,  
 Fax: (+31-70) 340-3016

Authorized officer

Lazaridis, P

# INTERNATIONAL SEARCH REPORT

Information on patent family members

International Application No

PCT/US 01/06402

Patent document cited in search report	A	Publication date	Patent family member(s)	Publication date
US 5241566	A	31-08-1993	NONE	
<hr/>				
EP 0963053	A	08-12-1999	CN 1237836 A	08-12-1999
			EP 0963053 A2	08-12-1999
			JP 2000013281 A	14-01-2000
<hr/>				