



US00D758215S

(12) **United States Design Patent**
Yamazaki

(10) **Patent No.:** **US D758,215 S**

(45) **Date of Patent:** **** Jun. 7, 2016**

(54) **MEASURING CUP**

(71) Applicant: **YAMAZAKI CO., LTD.**, Yao-shi (JP)

(72) Inventor: **Shigeru Yamazaki**, Nara (JP)

(73) Assignee: **YAMAZAKI CO., LTD.**, Yao-shi (JP)

(**) Term: **14 Years**

(21) Appl. No.: **29/510,004**

(22) Filed: **Nov. 24, 2014**

(51) **LOC (10) Cl.** **10-04**

(52) **U.S. Cl.**

USPC **D10/46.2**

(58) **Field of Classification Search**

USPC D10/46.2, 46.3, 46, 52, 60, 66, 101,
D10/103; D7/589, 300, 302, 303, 312, 316,
D7/317, 387, 397, 510, 665; D9/440, 447,
D9/452-454; D24/197, 224
CPC G01F 19/002; G01F 19/00; B65D 21/00;
A47G 19/00; A61J 7/00

See application file for complete search history.

(56) **References Cited**

U.S. PATENT DOCUMENTS

3,490,290 A * 1/1970 Bilson G01F 19/00
141/345
4,082,184 A * 4/1978 Hammer B65D 21/0233
206/519
D412,448 S * 8/1999 Bentson D10/46.2
D442,019 S * 5/2001 Wyche D7/354

D461,420 S * 8/2002 Kerman D10/46.2
D533,471 S * 12/2006 Jordan D10/46.2
D562,159 S * 2/2008 Griffith D10/46.2
D640,938 S * 7/2011 Antons D10/46.3
D648,190 S * 11/2011 Steiner D10/46.2
D652,745 S * 1/2012 Lee D10/46.2
D662,794 S * 7/2012 Enghard D7/700
D688,924 S * 9/2013 Enghard D7/700
D739,782 S * 9/2015 Pettigrew D11/152

* cited by examiner

Primary Examiner — George D Kirschbaum

Assistant Examiner — Clese Moore, Jr.

(74) *Attorney, Agent, or Firm* — Kratz, Quintos & Hanson,
LLP

(57) **CLAIM**

The ornamental design for a measuring cup, as shown and described.

DESCRIPTION

FIG. 1 is a perspective view of the measuring cup according to the claimed design;
FIG. 2 is a front view thereof;
FIG. 3 is a back view thereof;
FIG. 4 is a right side view thereof;
FIG. 5 is a left side view thereof;
FIG. 6 is a plan view thereof;
FIG. 7 is a bottom view thereof; and,
FIG. 8 is a cross-sectional view taken along line 8-8 of FIG. 6.

1 Claim, 8 Drawing Sheets

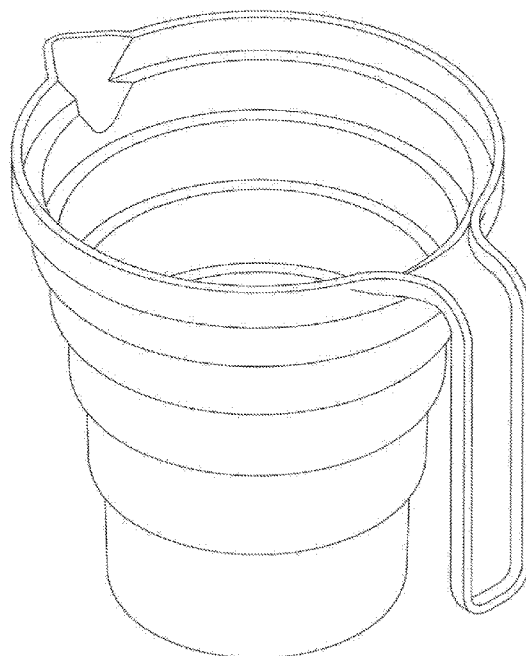


FIG. 1

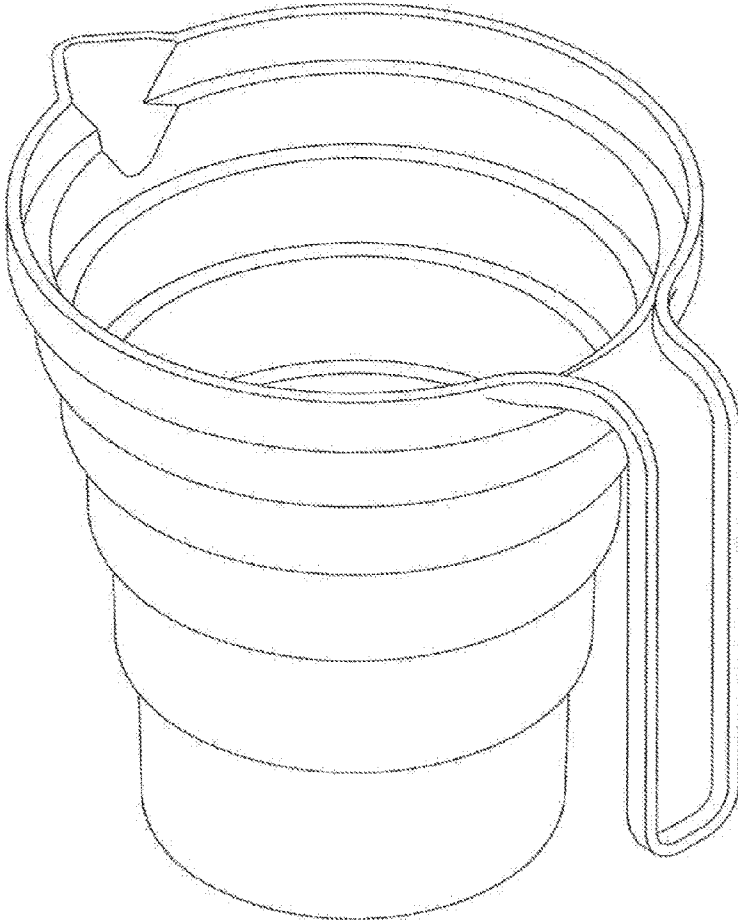


FIG. 2

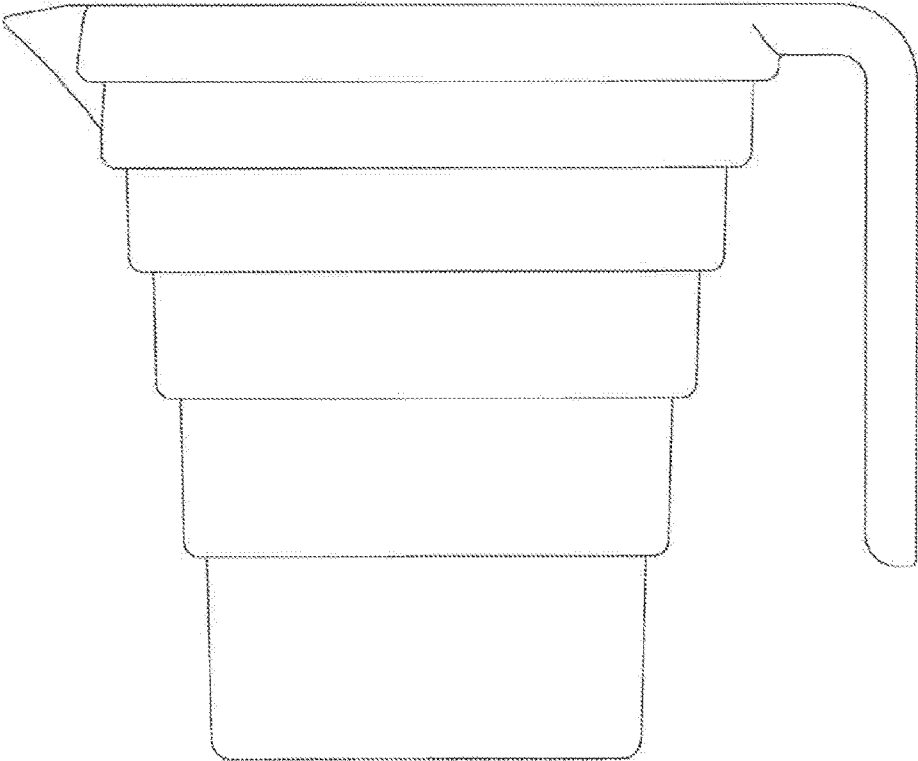


FIG. 3

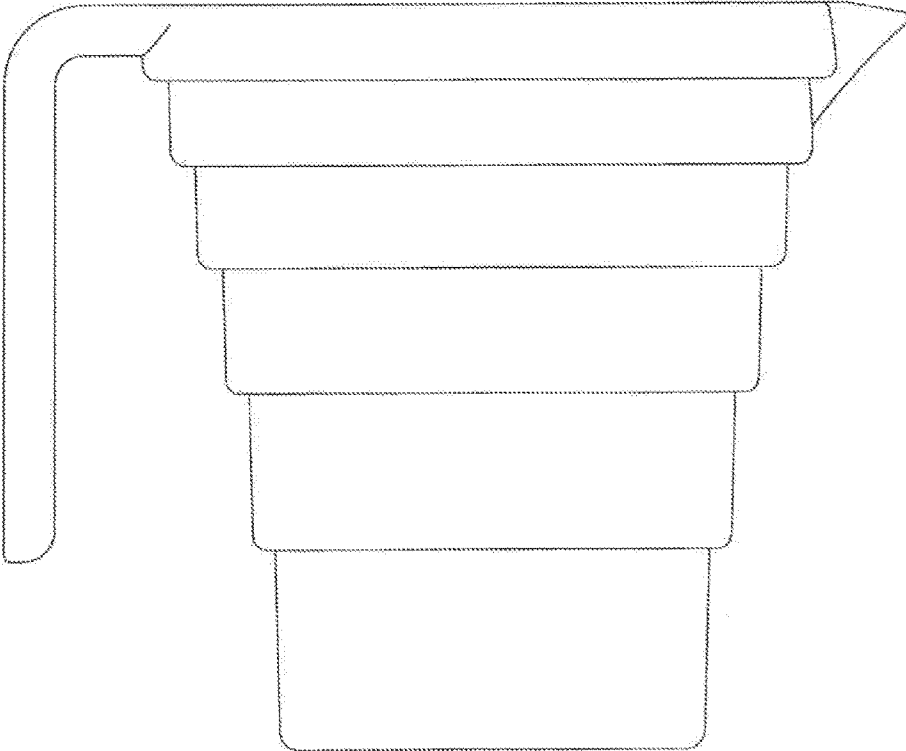


FIG. 4

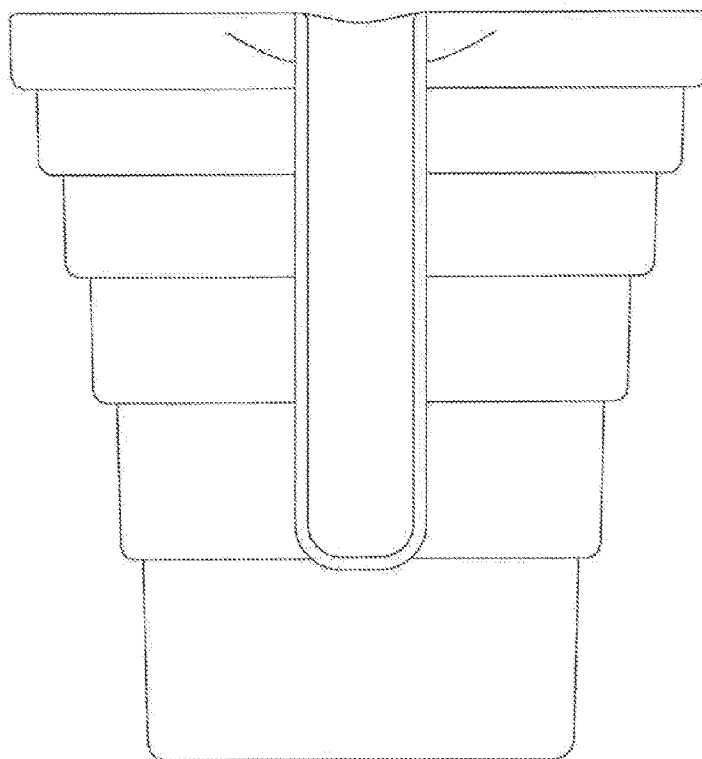


FIG. 5

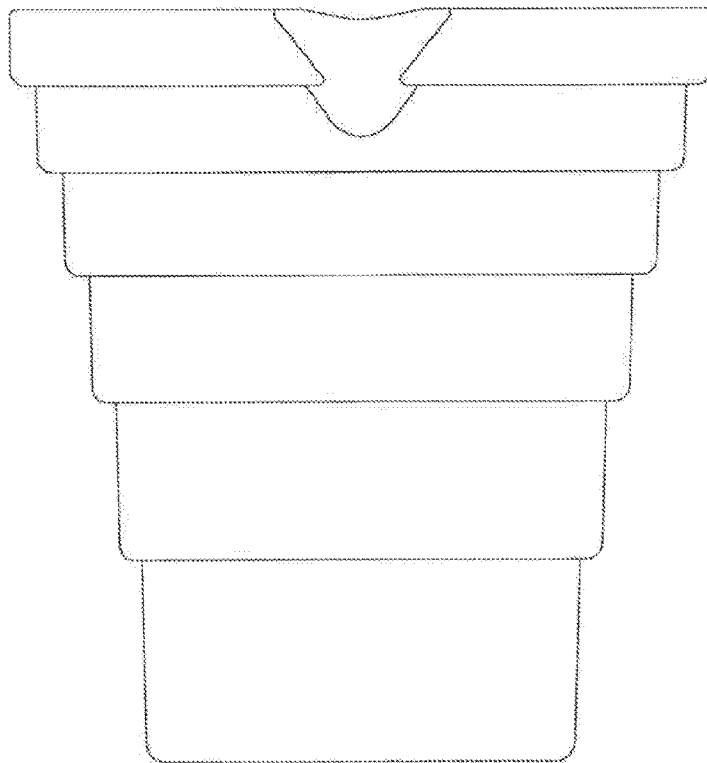


FIG. 6

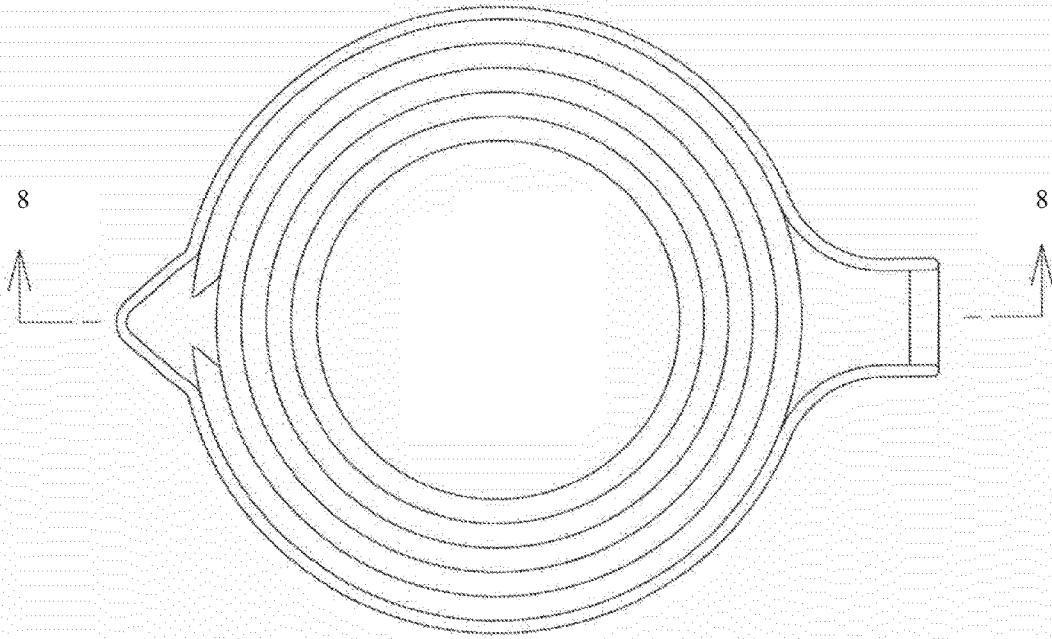


FIG. 7

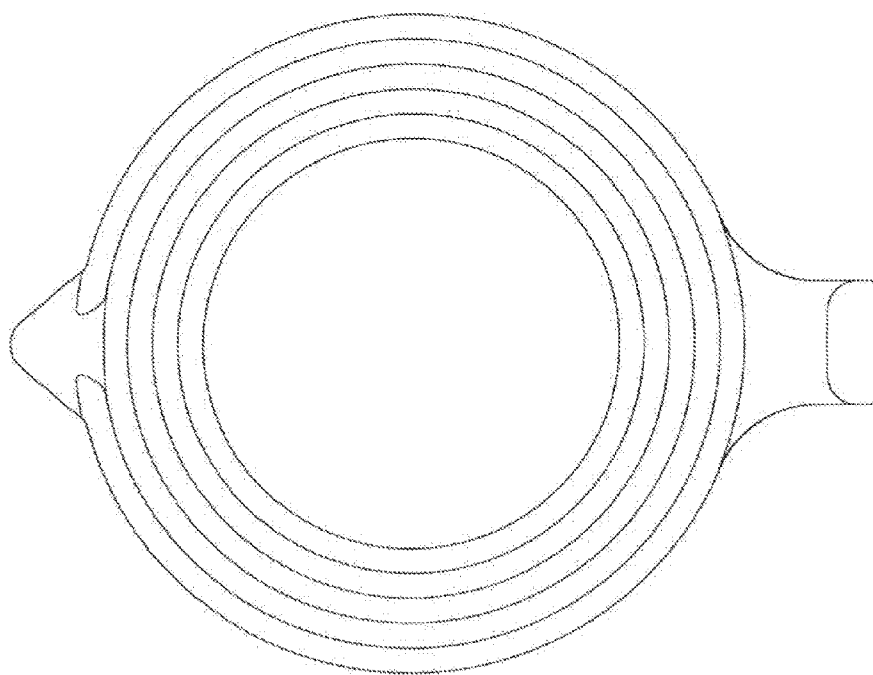


FIG. 8

