



US00D676694S

(12) **United States Design Patent**
Daily

(10) **Patent No.:** **US D676,694 S**

(45) **Date of Patent:** **** Feb. 26, 2013**

(54) **GRAVITY-FED PRESENTATION SHELF**

(75) Inventor: **Blake E. Daily**, Chicago, IL (US)

(73) Assignee: **Chicago Display Company**, River Grove, IL (US)

(**) Term: **14 Years**

(21) Appl. No.: **29/427,633**

(22) Filed: **Jul. 20, 2012**

(51) **LOC (9) Cl.** **06-02**

(52) **U.S. Cl.** **D6/511**

(58) **Field of Classification Search** D8/40,
D8/349, 353, 354, 363, 366, 373, 380, 381,
D8/394; D25/119, 126, 131, 132; 52/426,
52/506.06, 506.07, 686, 687; 248/208, 235,
248/237, 245, 247, 243, 265, 267; D6/511,
D6/574

See application file for complete search history.

(56) **References Cited**

U.S. PATENT DOCUMENTS

2,781,918 A 2/1957 Palm, Jr.
3,019,907 A 2/1962 Belejack

(Continued)

OTHER PUBLICATIONS

W.W. Grainger, Inc., Mettawa, IL. ESTEY Divider Shelf. <www.grainger.com> Date: Copyright 1994-2012.

(Continued)

Primary Examiner — Brian N. Vinson

(74) *Attorney, Agent, or Firm* — Jansson Munger McKinley & Shape Ltd.

(57) **CLAIM**

The ornamental design for a gravity-fed presentation shelf, as shown and described.

DESCRIPTION

FIG. 1 is a perspective view of the gravity-fed presentation shelf;

FIG. 2 is an exploded view of the gravity-fed presentation shelf;

FIG. 3 is a further perspective view of the gravity-fed presentation shelf;

FIG. 4 is a further perspective view of the gravity-fed presentation shelf;

FIG. 5 is a top plan view of the gravity-fed presentation shelf;

FIG. 6 is a bottom plan view of the gravity-fed presentation shelf;

FIG. 7 is a front elevation view of the gravity-fed presentation shelf;

FIG. 8 is a rear elevation view of the gravity-fed presentation shelf;

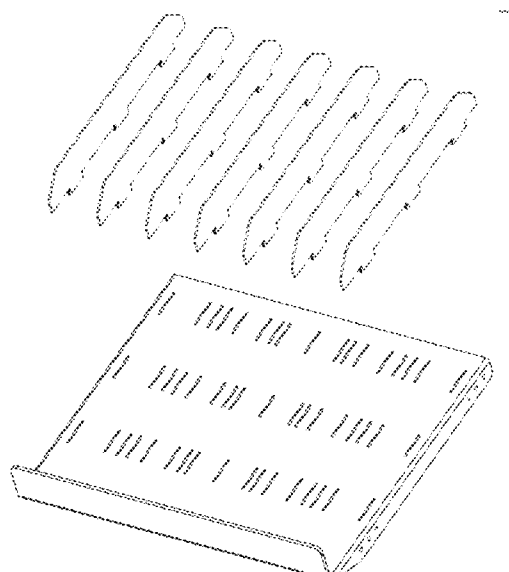
FIG. 9 is a left side elevation view of the gravity-fed presentation shelf; and,

FIG. 10 is a right side elevation view of the gravity-fed presentation shelf.

The ornamental design for a gravity-fed presentation shelf is shown in the attached drawings. The claimed gravity-fed presentation shelf may be used to display and offer merchandise and could be supported by a merchandise rack.

The dividers, which are positionable within openings on the gravity-fed presentation shelf to form merchandise-presentation rows of user-selectable widths, and certain other elements are shown in broken lines for illustrative purposes only and form no part of the claimed design.

1 Claim, 10 Drawing Sheets



U.S. PATENT DOCUMENTS

3,894,634 A 7/1975 Gotham et al.
 3,900,112 A 8/1975 Azzi et al.
 4,004,819 A 1/1977 Brongo
 4,416,380 A 11/1983 Flum
 4,454,948 A 6/1984 Spamer
 4,479,583 A 10/1984 Franklin et al.
 4,531,646 A 7/1985 Howard
 4,627,542 A 12/1986 Fredrickson
 4,776,472 A 10/1988 Rosen
 4,809,855 A 3/1989 Bustos
 4,923,070 A 5/1990 Jackle et al.
 5,351,839 A 10/1994 Beeler et al.
 5,607,068 A 3/1997 Coretti, Jr. et al.
 5,645,176 A 7/1997 Jay
 D413,217 S * 8/1999 Bidwell et al. D6/510
 6,302,282 B1 10/2001 Gay et al.
 D478,739 S 8/2003 Sparkowski
 6,648,151 B2 11/2003 Battaglia et al.
 6,651,828 B2 11/2003 Dimattio et al.
 6,768,659 B2 7/2004 Gillingham et al.
 D497,738 S 11/2004 Sparkowski
 D500,419 S 1/2005 Sparkowski
 D520,265 S 5/2006 Sparkowski
 D520,287 S 5/2006 Sparkowski
 7,131,543 B2 11/2006 Mason
 D573,369 S 7/2008 Sparkowski
 D580,193 S 11/2008 Sparkowski
 D593,783 S * 6/2009 Golias et al. D6/511
 7,540,510 B2 6/2009 Sparkowski
 D598,220 S 8/2009 Sparkowski
 D632,907 S * 2/2011 Clark et al. D6/511
 7,896,171 B2 3/2011 Battaglia
 D635,801 S 4/2011 Stubis
 D643,656 S * 8/2011 Golias et al. D6/511
 8,079,313 B2 12/2011 Sparkowski
 D655,542 S * 3/2012 Baingo D6/511
 D660,059 S * 5/2012 Nilsson D6/511

2002/0084234 A1 7/2002 Chang
 2003/0066811 A1 4/2003 Dimattio et al.
 2004/0211736 A1 10/2004 Mason
 2006/0011565 A1 1/2006 Pirro et al.
 2011/0062096 A1 3/2011 Sparkowski
 2011/0278246 A1 11/2011 Daily
 2011/0284485 A1 11/2011 Sparkowski

OTHER PUBLICATIONS

Southern Imperial, Inc., Rockford, IL. 2012 Display & Fixture Solutions Guide (catalog excerpts). Date: 2012.
 RDCcytex, Houston, TX. Retail Merchanding Solutions (catalog excerpts). Date: Undated.
 Trion Industries, Inc., Wilkes-Barre, PA. Trion Fixture Handbook (catalog excerpts). Date: 2011.
 FFR-DSI, Inc., Twinsburg, OH. Power Zone Sure-Set Self-Facing System. Date: Undated.
 FFR-DSI, Inc., Twinsburg, OH. Diagonal Divider Systems. <www.ffc-dsi.com> Date: Undated.
 FFR-DSI, Inc., Twinsburg, OH. Vacuum Formed Divider. <www.ffc-dsi.com> Date: Undated.
 U.S. Appl. No. 29/398,121, filed Jul. 26, 2011.

* cited by examiner

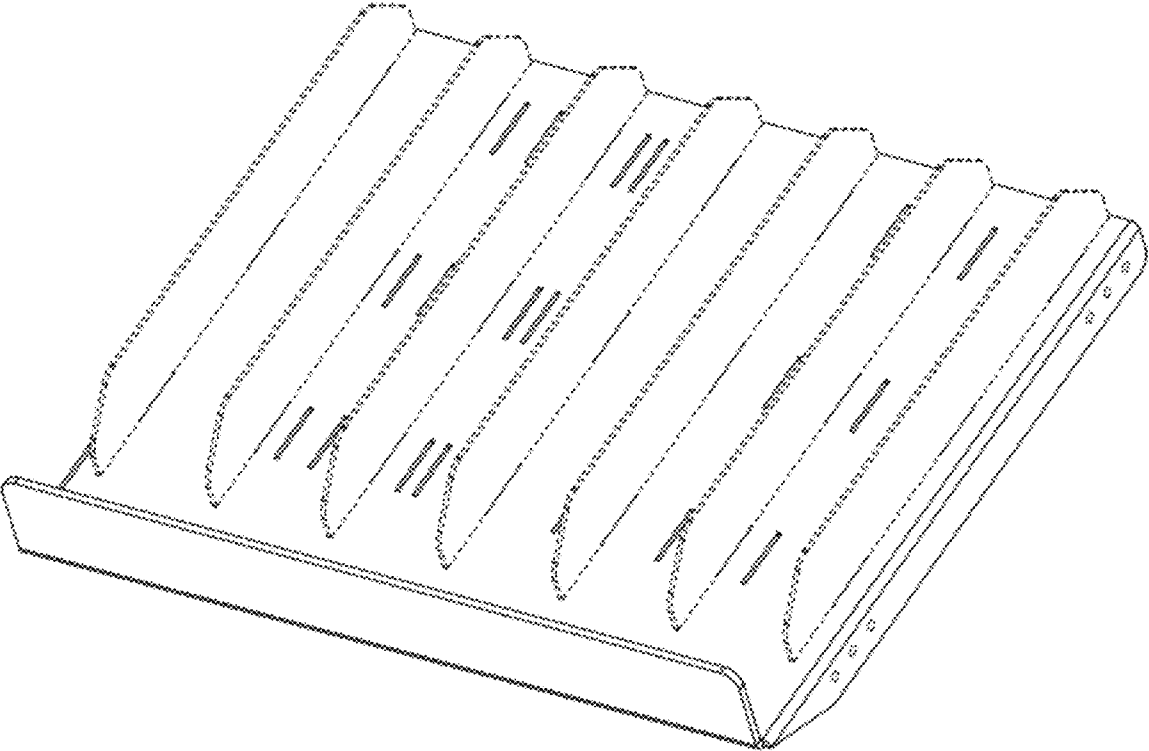


FIG. 1

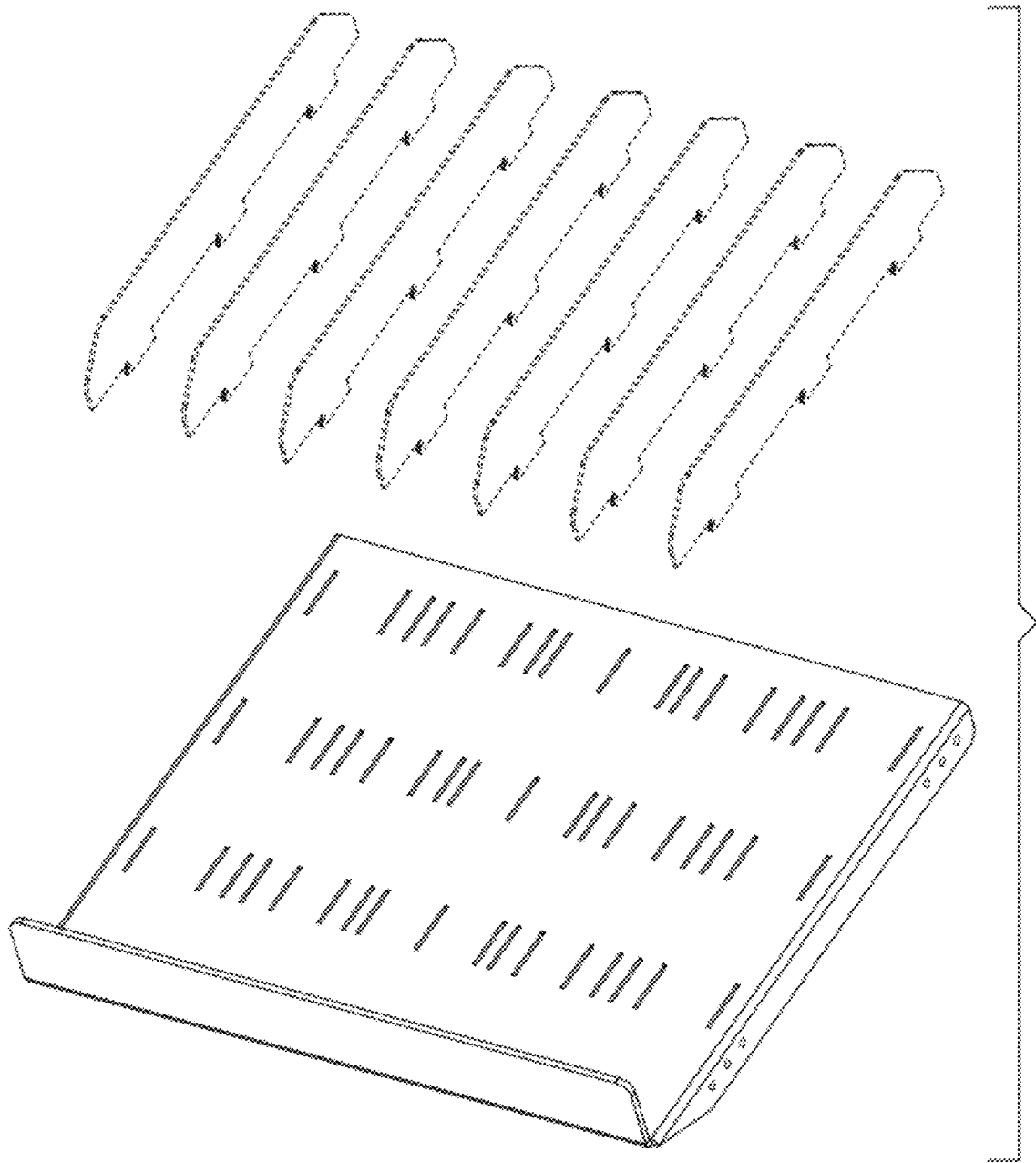


FIG. 2

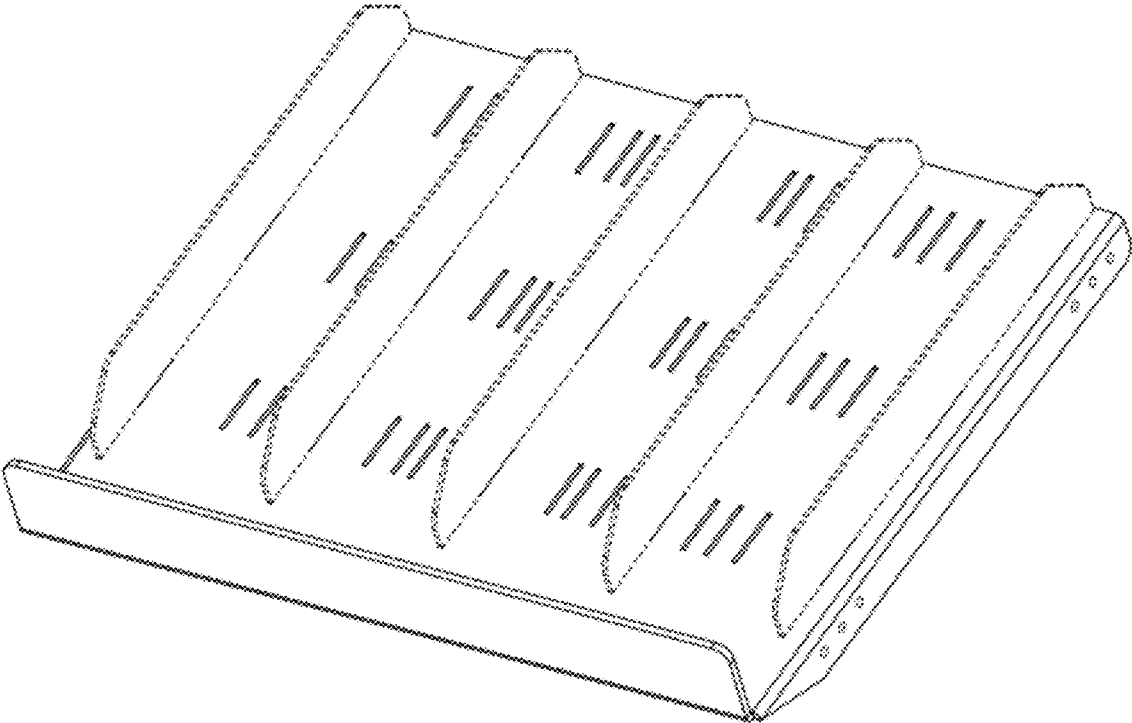


FIG. 3

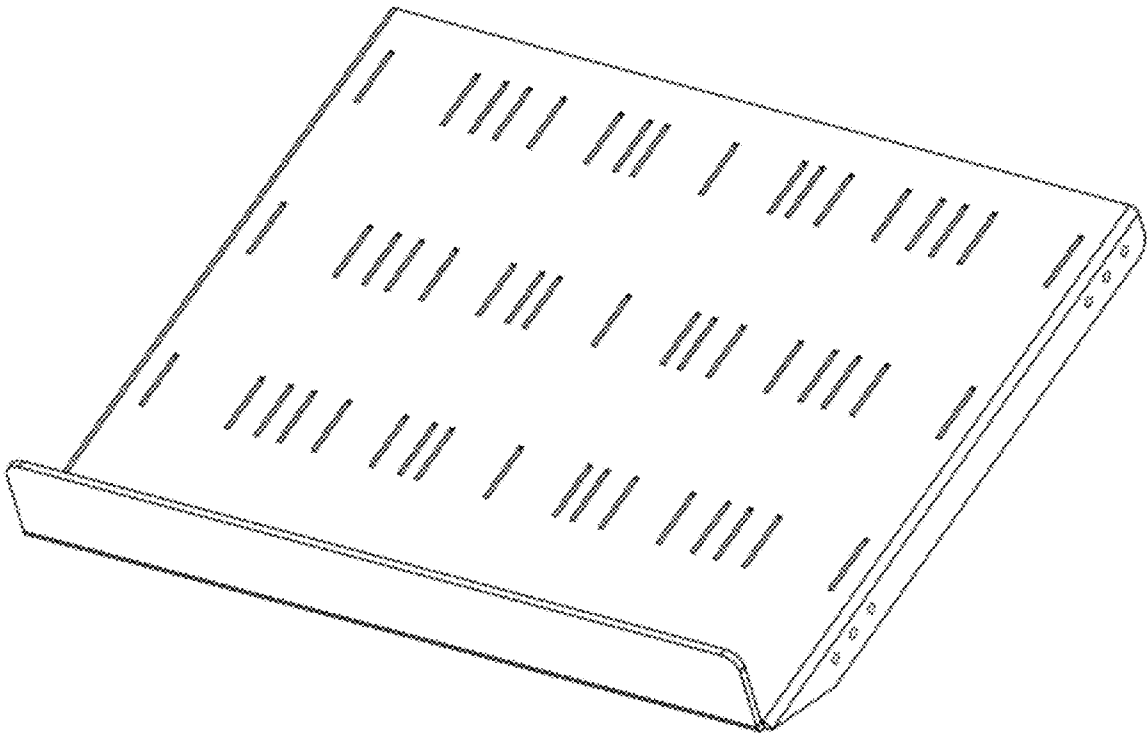


FIG.4

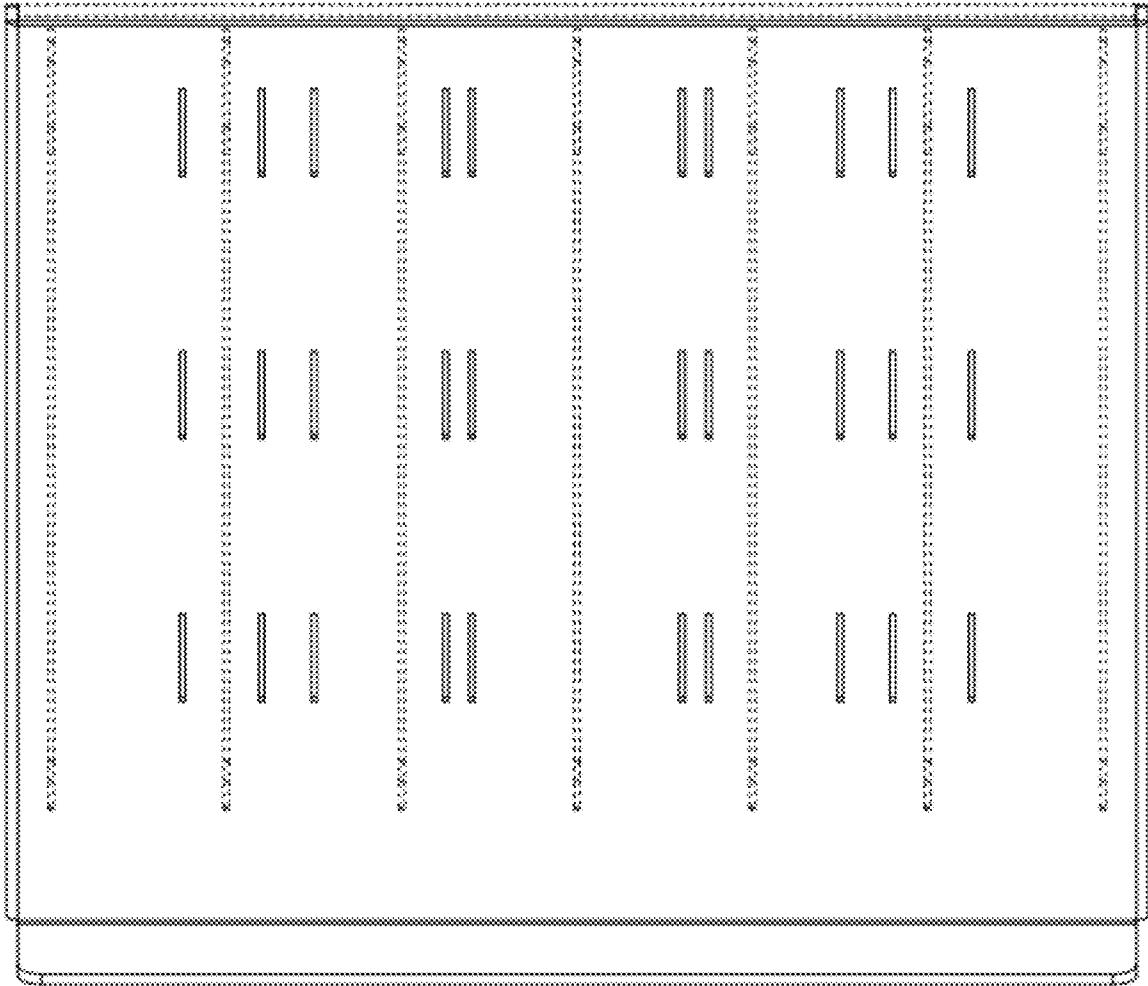


FIG. 5

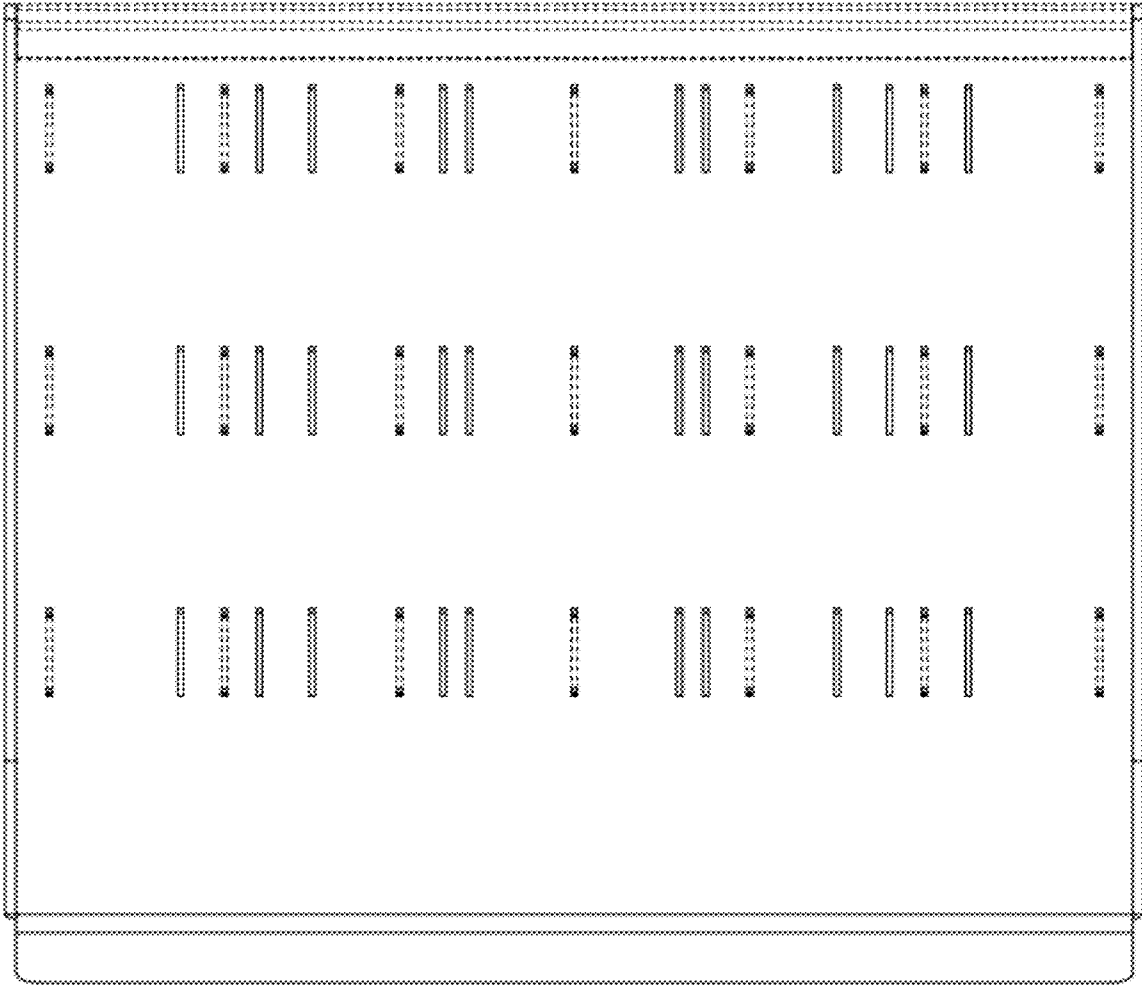


FIG. 6

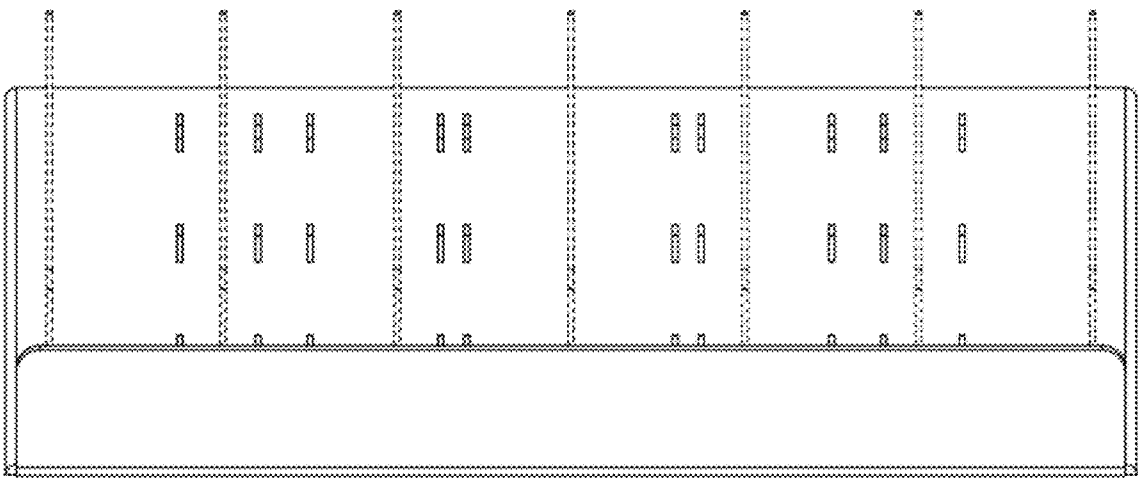


FIG. 7

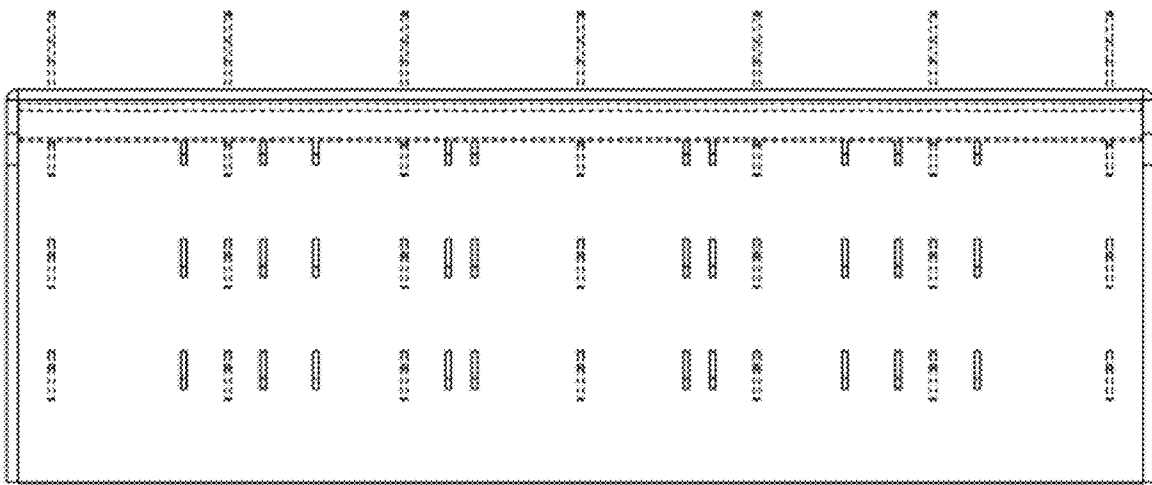


FIG. 8

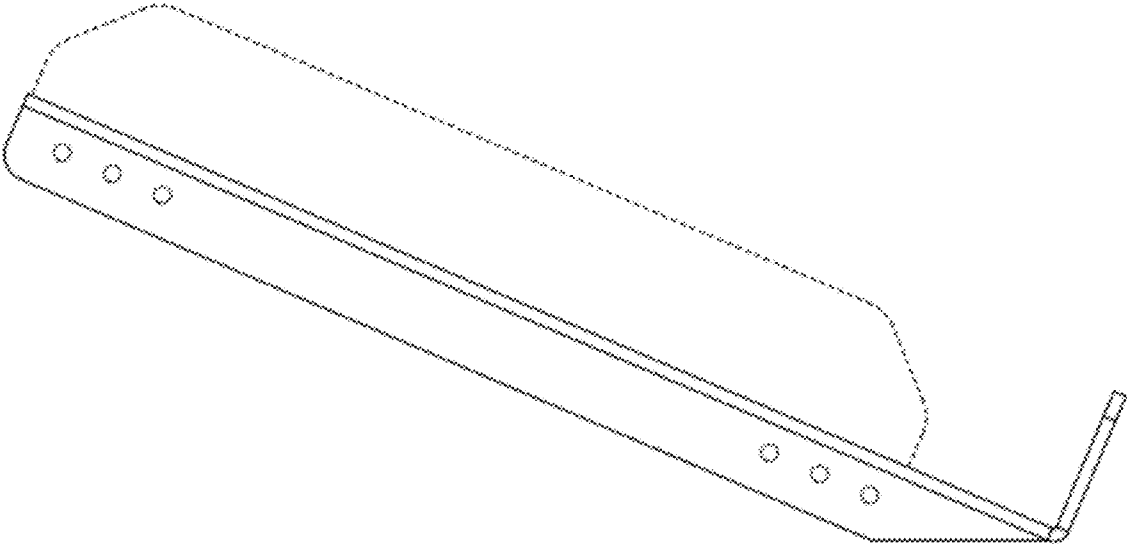


FIG. 9

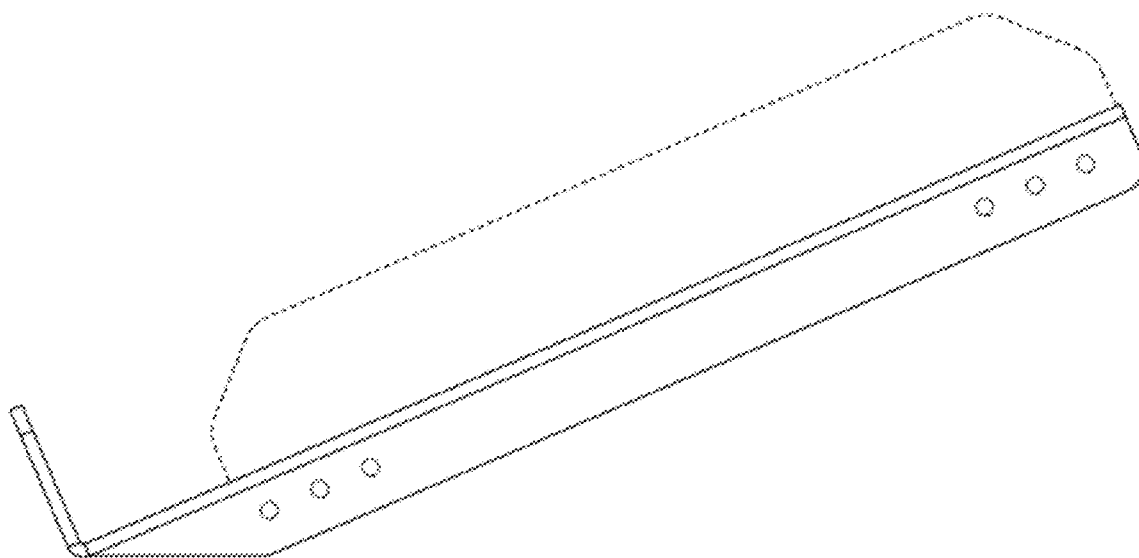


FIG. 10