



US00RE46226E

(19) **United States**
(12) **Reissued Patent**
Gambino

(10) **Patent Number: US RE46,226 E**
(45) **Date of Reissued Patent: Dec. 6, 2016**

(54) **WEAPON SIGHTING DEVICE**
(71) Applicant: **Leupold & Stevens, Inc.**, Beaverton, OR (US)
(72) Inventor: **Joseph Gambino**, Beaverton, OR (US)
(73) Assignee: **Leupold & Stevens, Inc.**, Beaverton, OR (US)
(21) Appl. No.: **29/517,477**
(22) Filed: **Feb. 12, 2015**

D615,141 S * 5/2010 Leighton et al. D22/108
8,087,196 B2 * 1/2012 Jung et al. 42/113
8,186,093 B1 * 5/2012 Chung 42/113
D662,566 S * 6/2012 Estes D22/109

OTHER PUBLICATIONS

Lapham, et al., "Bezel for a Sighting Device", U.S. Appl. No. 29/527,994, filed May 23, 2015.

(Continued)

Primary Examiner — Phillip S Hyder
(74) *Attorney, Agent, or Firm* — Stoel Rives LLP; Robert R. Teel

Related U.S. Patent Documents

Reissue of:

(64) Patent No.: **Des. 676,096**
Issued: **Feb. 12, 2013**
Appl. No.: **29/403,121**
Filed: **Sep. 30, 2011**

(57) **CLAIM**
I claim the ornamental design for a weapon sighting device, as shown and described.

(51) **LOC (10) Cl.** **22-01**
(52) **U.S. Cl.**
USPC **D22/109**
(58) **Field of Classification Search**
USPC D22/108-110; D16/130, 132, 133, 134, D16/330
CPC F41G 1/48; F41G 1/40; F41G 1/42; F41G 1/44; F41G 1/473
See application file for complete search history.

DESCRIPTION

FIG. 1 is a front, top, right side isometric view of a weapon sighting device;
FIG. 2 is a left side view of the weapon sighting device of FIG. 1;
FIG. 3 is a top view of the weapon sighting device of FIG. 1;
FIG. 4 is a right side view of the weapon sighting device of FIG. 1;
FIG. 5 is a bottom view of the weapon sighting device of FIG. 1[.];
FIG. 6 is a rear view of the weapon sighting device of FIG. 1; and,
FIG. 7 is a front view of the weapon sighting device of FIG. 1.

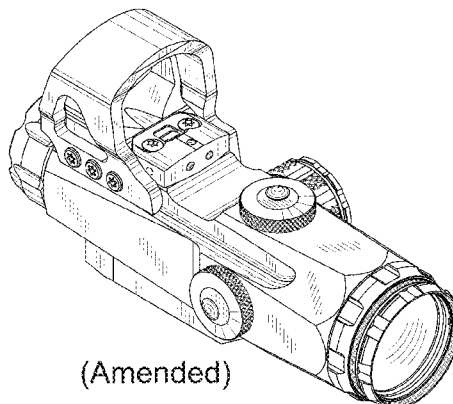
(56) **References Cited**

U.S. PATENT DOCUMENTS

D349,510 S * 8/1994 Tomita D16/132
D351,397 S * 10/1994 Dor D16/130
D365,858 S * 1/1996 Tomita D22/109
D413,130 S * 8/1999 Bryant et al. D16/132
D420,718 S 2/2000 Otteman et al.
D427,275 S * 6/2000 Gilmore D22/109
6,327,806 B1 * 12/2001 Paige 42/113
D522,031 S * 5/2006 Siu D16/132
7,145,703 B2 * 12/2006 Sieczka et al. 359/15
7,225,576 B2 * 6/2007 Ballard 42/118
D590,970 S 4/2009 Kornfeld et al.

1 Claim, 3 Drawing Sheets

Matter enclosed in heavy brackets [] appears in the original patent but forms no part of this reissue; matter printed in italics indicates the additions made by reissue.



(Amended)

(56)

References Cited

na_en/products/product3.php?pid=TA01NSN-RMR, archived Sep. 13, 2011.

OTHER PUBLICATIONS

Surefire LLC, "2004 Illumination Tools", archived at <https://web.archive.org/web/20150827174057/http://home.comcast.net/~rdh10/http/Surefire/Surefire-2004-III.pdf>, dated 2004.
Trijicon, Inc., "Trijicon ACOG 4x32 Scope", archived at <https://web.archive.org/web/20110913033810/http://www.trijicon.com/>

Trijicon, Inc, Trijicon ACOG®[®], www.trijicon.com/na_en/products/product3.php?pid+TA01NSN-RMR, sold at least one year prior to filing date (at least as early as Sep. 2010).

* cited by examiner

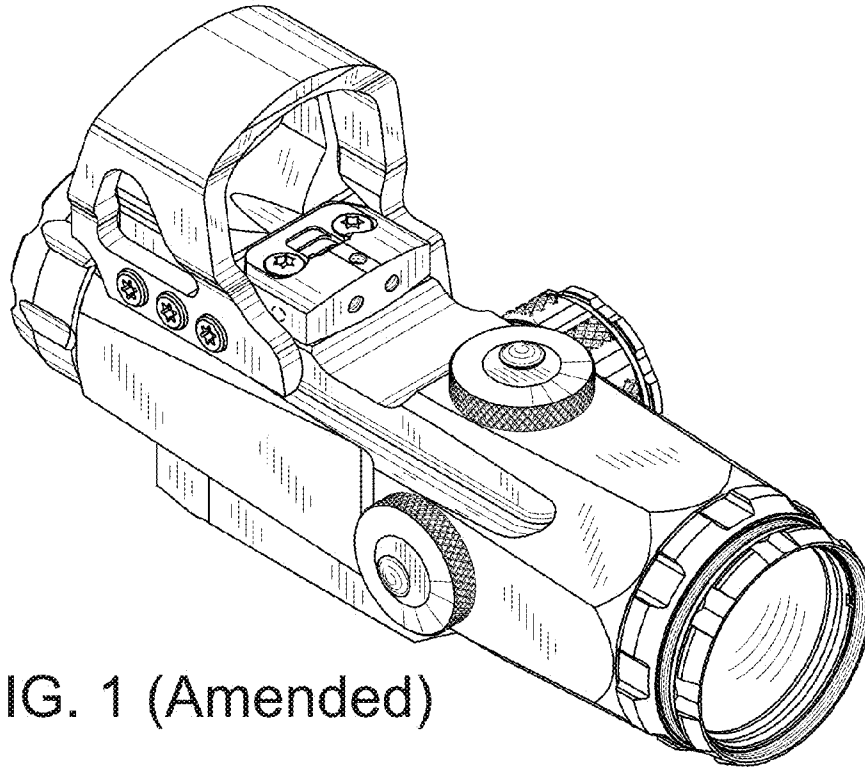


FIG. 1 (Amended)

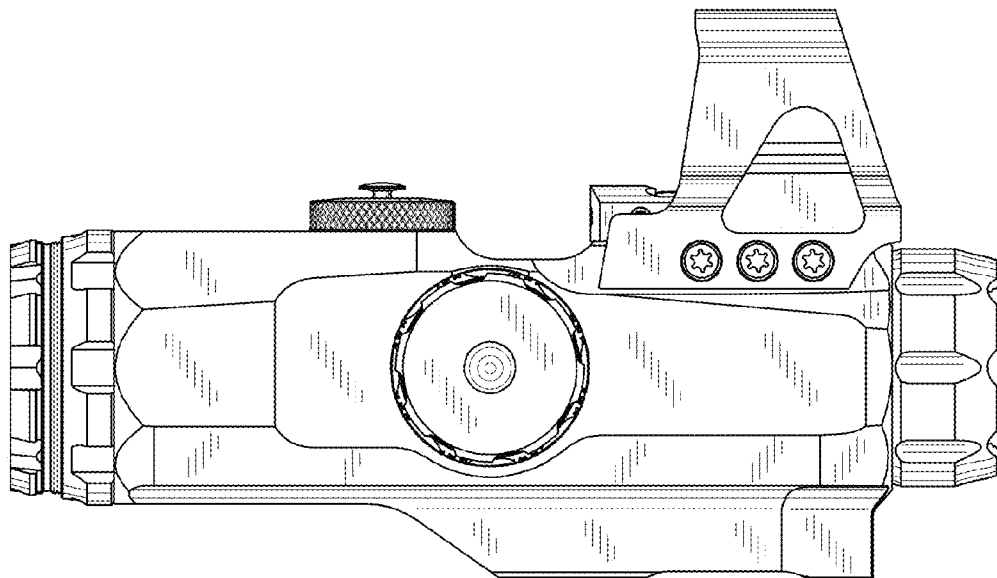


FIG. 2 (Amended)

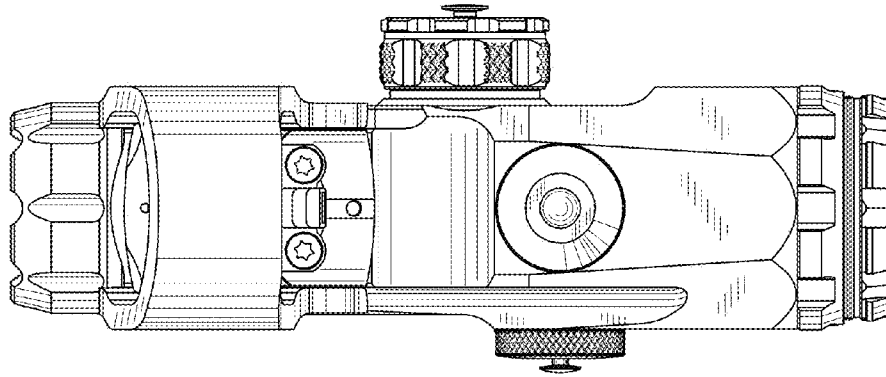


FIG. 3 (Amended)

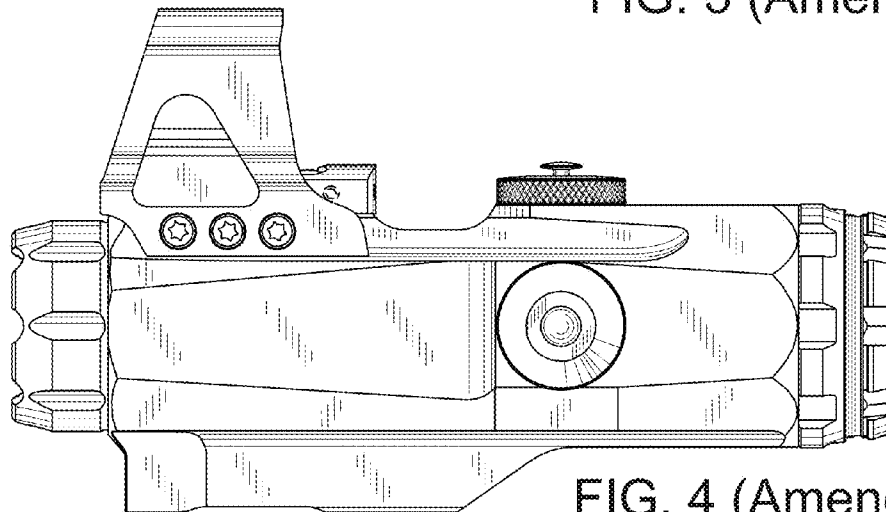


FIG. 4 (Amended)

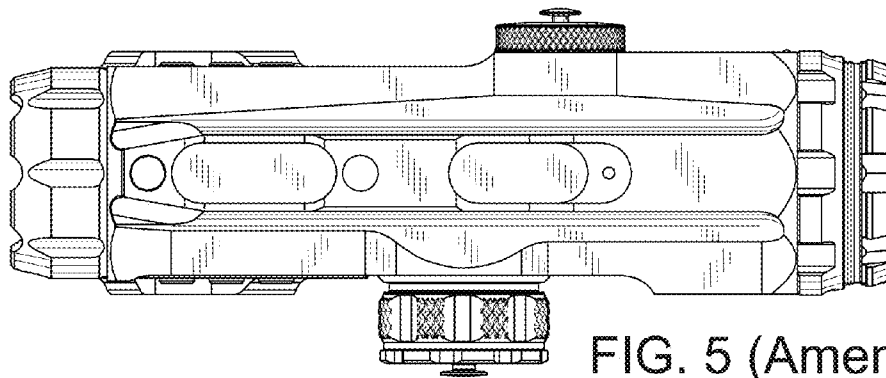


FIG. 5 (Amended)

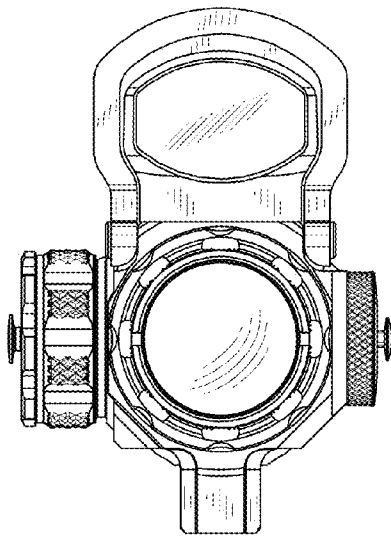


FIG. 6 (Amended)

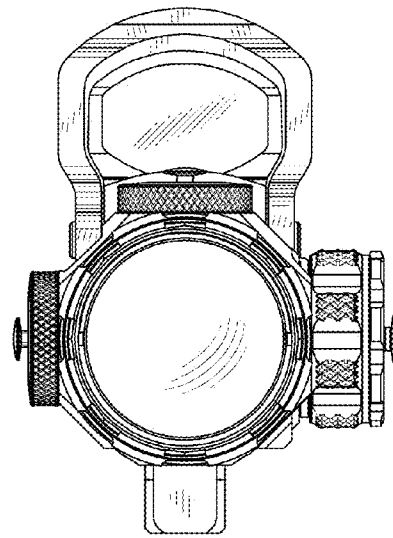


FIG. 7 (Amended)